

[54] **DRAINING LID**

[75] Inventors: **Robert J. Ten Eyck, St. Paul; Gerald L. Burns, Eagan; Melvin A. Franzwa, Inver Grove Hts., all of Minn.**

[73] Assignee: **Ecolab Inc., St. Paul, Minn.**

[**] Term: **14 Years**

[21] Appl. No.: **49,683**

[22] Filed: **May 13, 1987**

[52] U.S. Cl. **D9/447; D9/435**

[58] Field of Search **D9/435, 438, 443, 447, D9/454; 222/91, 108, 130, 571; 220/5 R, 90.4, 270, 284, 285**

3,972,450 8/1976 Walters 222/91
 4,397,402 8/1983 Keiji 220/284
 4,531,657 7/1985 Saito et al. 222/108
 4,705,172 11/1987 Gage 206/519
 4,735,337 4/1988 Von Holdt 220/270
 4,949,884 8/1990 Dahl 222/570

Primary Examiner—Melvin B. Feifer
Assistant Examiner—Philip Hyder
Attorney, Agent, or Firm—Merchant, Gould, Smith, Edell, Welter & Schmidt

[56] **References Cited**

U.S. PATENT DOCUMENTS

4,628	11/1871	Chace .	
D. 263,565	3/1982	Woinarski	D9/454
D. 267,633	1/1983	Christian	D9/443
335,520	2/1886	Hess et al. .	
773,879	11/1904	Major .	
971,290	9/1910	Mansor .	
1,413,907	4/1922	Geestenberger .	
1,746,332	2/1930	Barroll .	
1,765,062	6/1930	Draper .	
2,049,977	8/1936	Ross et al.	220/66
2,449,445	9/1948	Bodan	4/252
3,321,124	5/1967	Bank	D9/454

[57] **CLAIM**

The ornamental design for a draining lid, as shown and described.

DESCRIPTION

FIG. 1 is a perspective view of a draining lid showing our new design;

FIG. 2 is a fragmentary perspective view of the spout area thereof;

FIG. 3 is a front elevational view thereof;

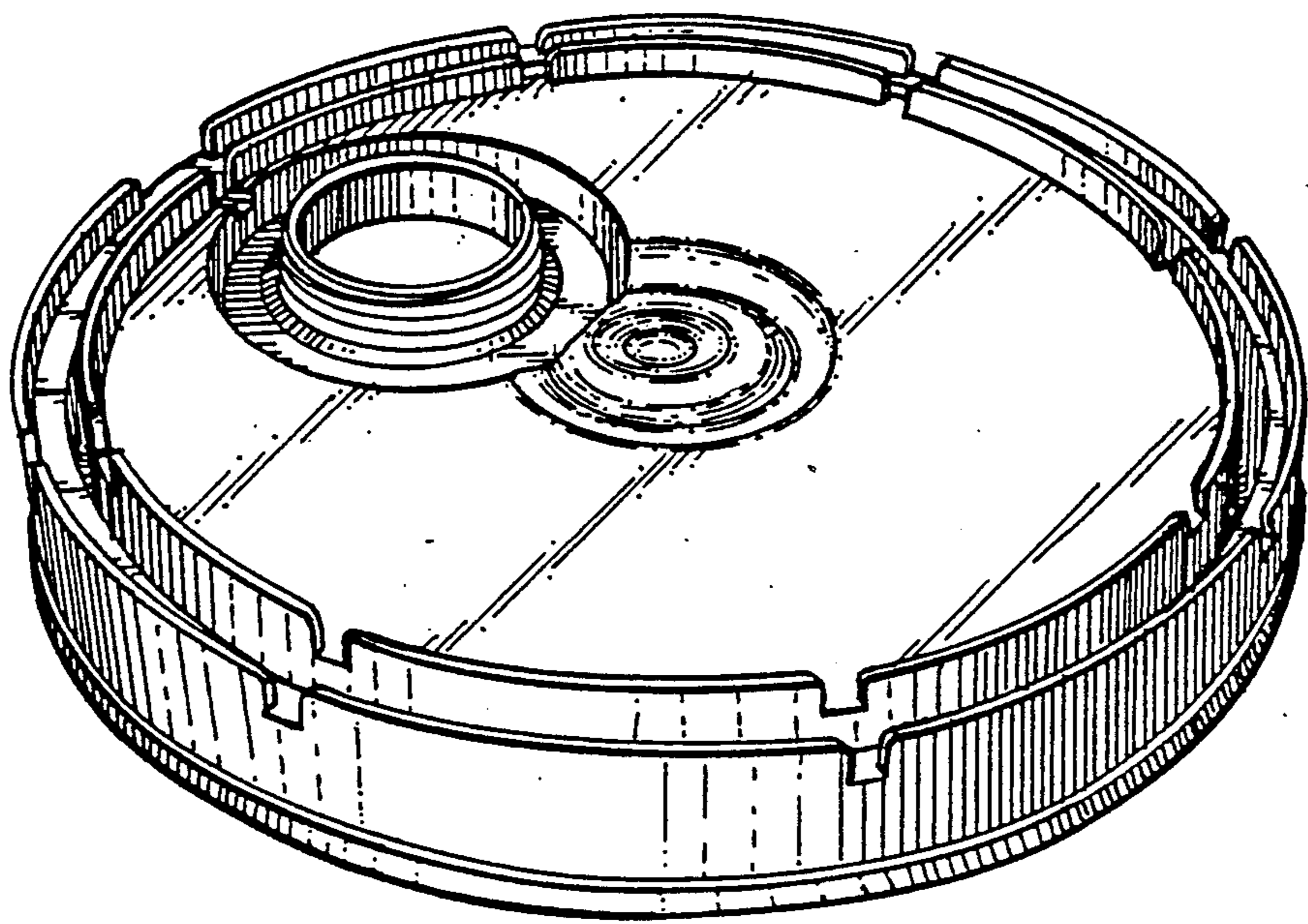
FIG. 4 is a rear elevational view thereof;

FIG. 5 is a top plan view thereof;

FIG. 6 is a bottom plan view thereof;

FIG. 7 is a left side elevational view thereof; the side opposite that shown being a mirror image;

FIG. 8 is a cross-sectional view taken along line 8—8 of FIG. 5 with a cap shown in broken lines for illustrative purposes only.



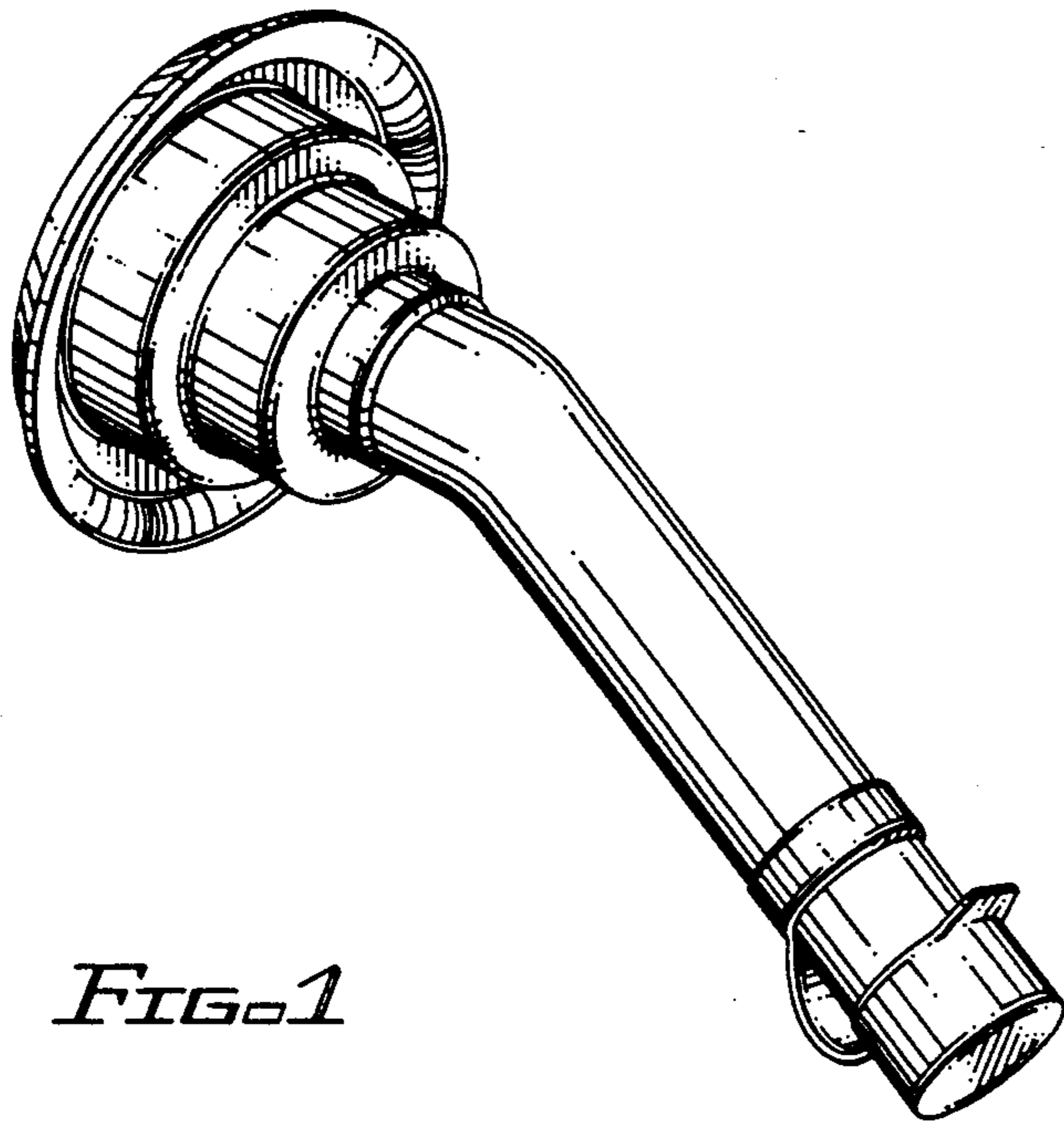


FIG. 1

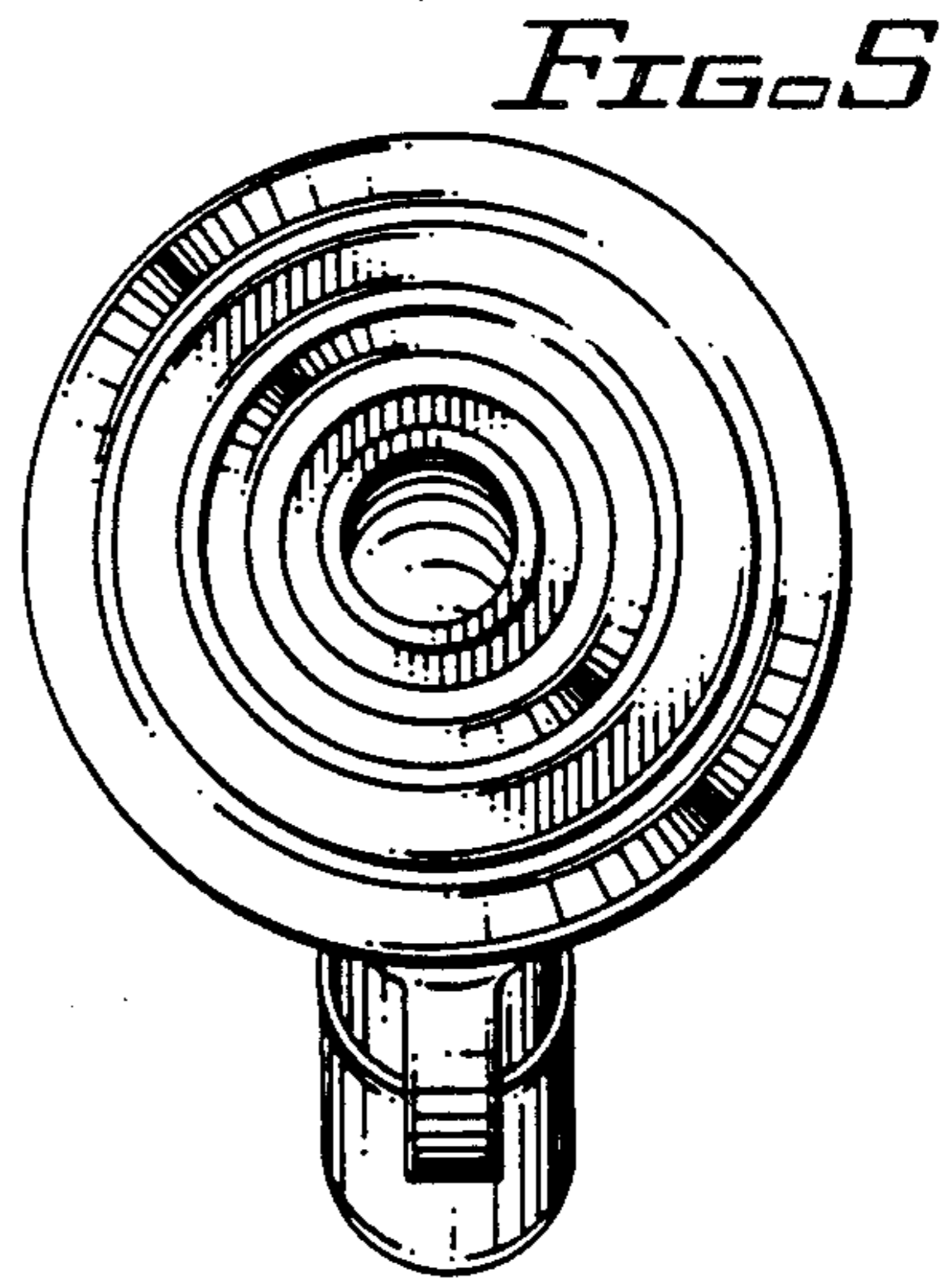


FIG. 5

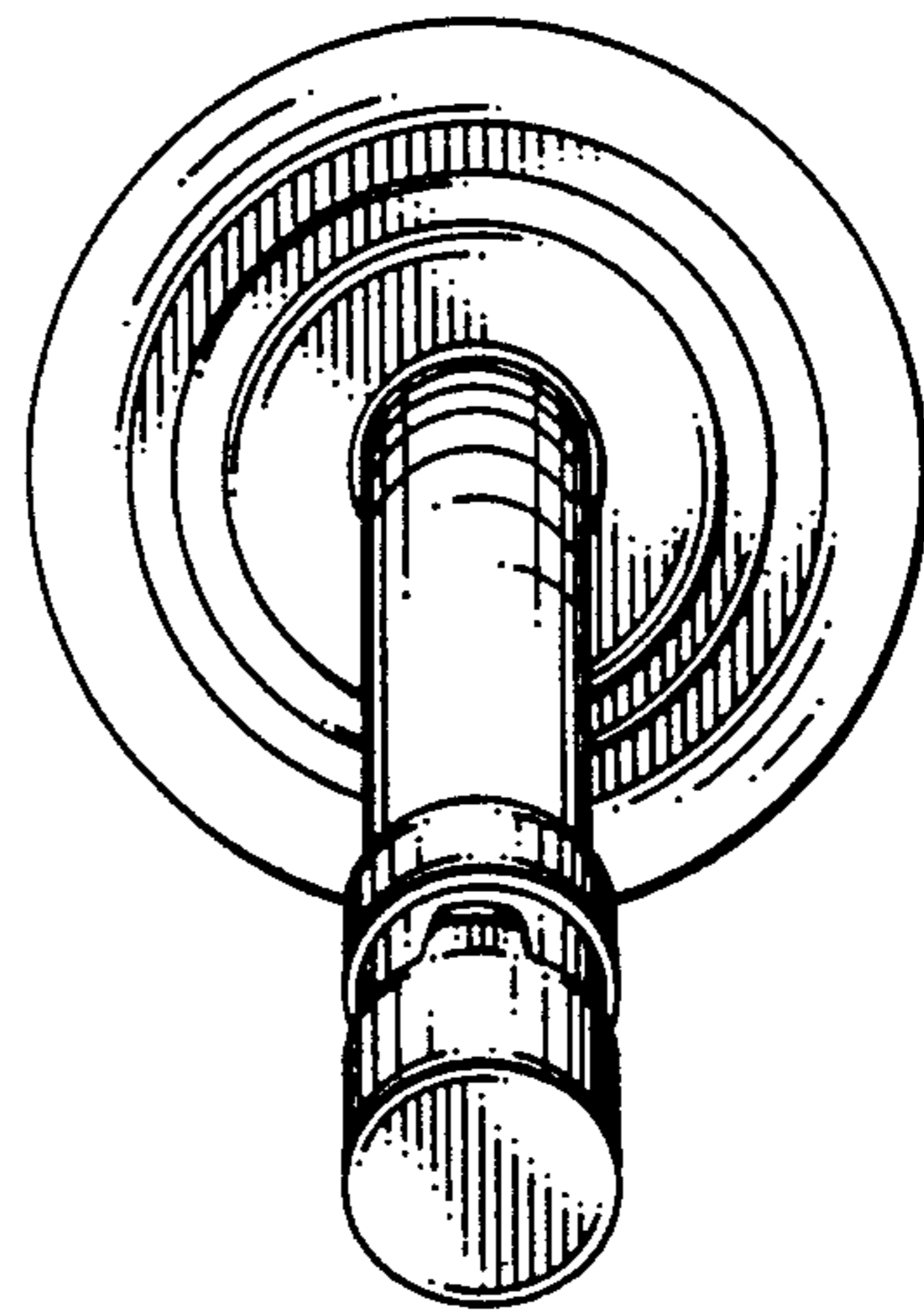


FIG. 6

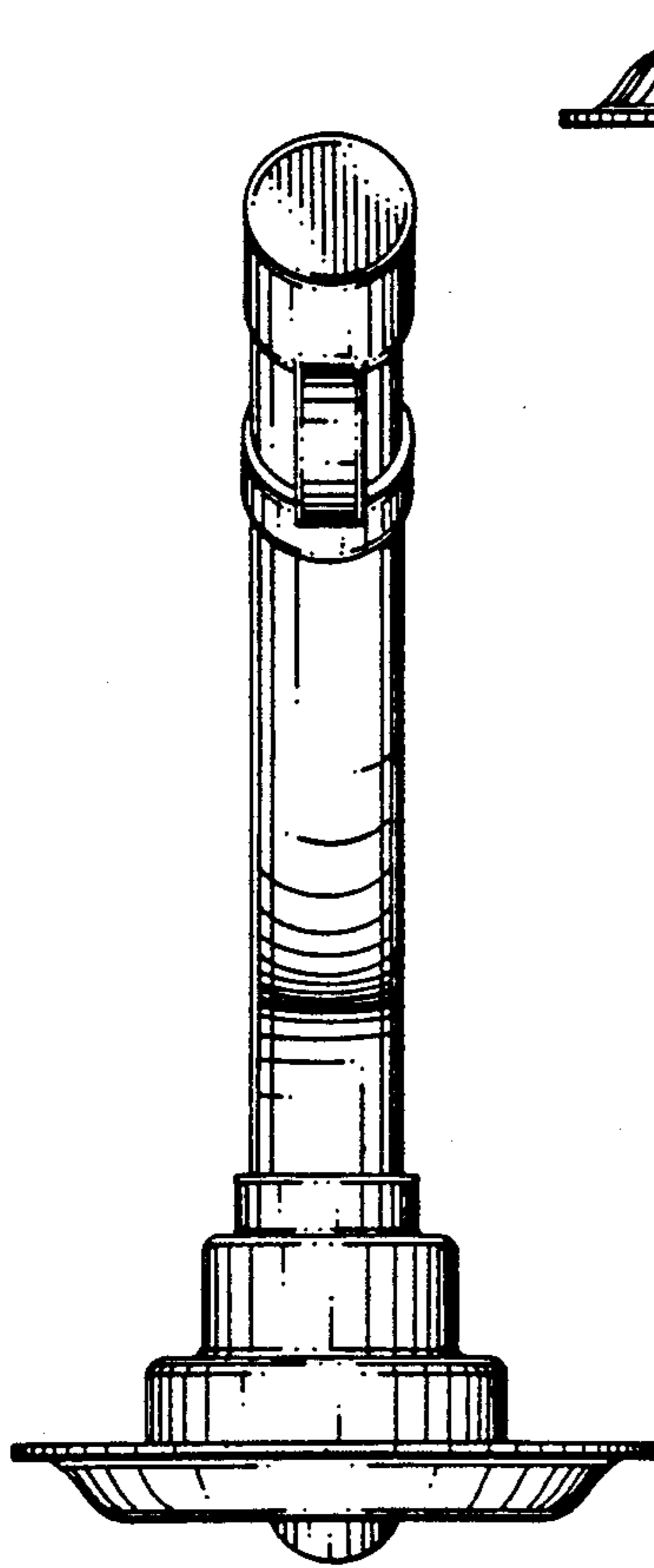


FIG. 3

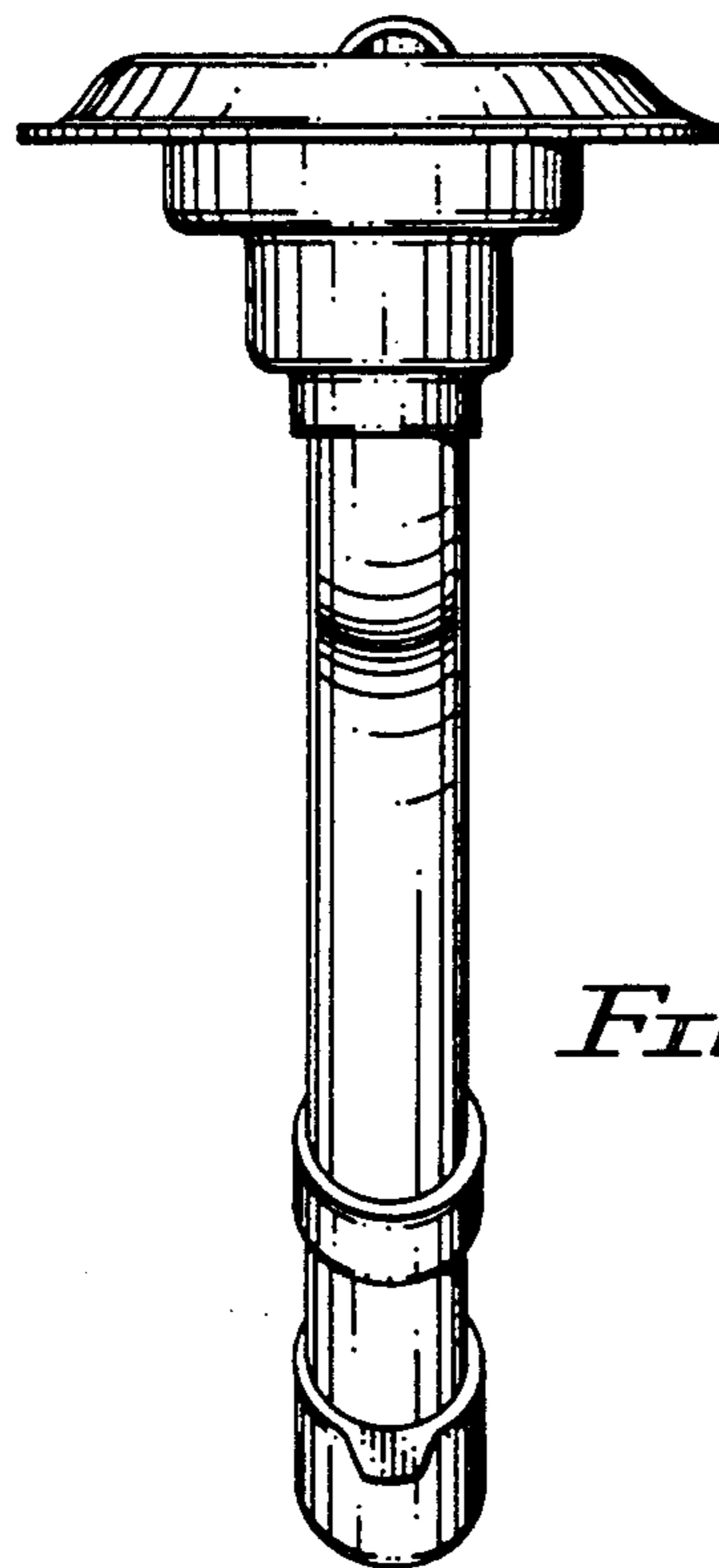


FIG. 4

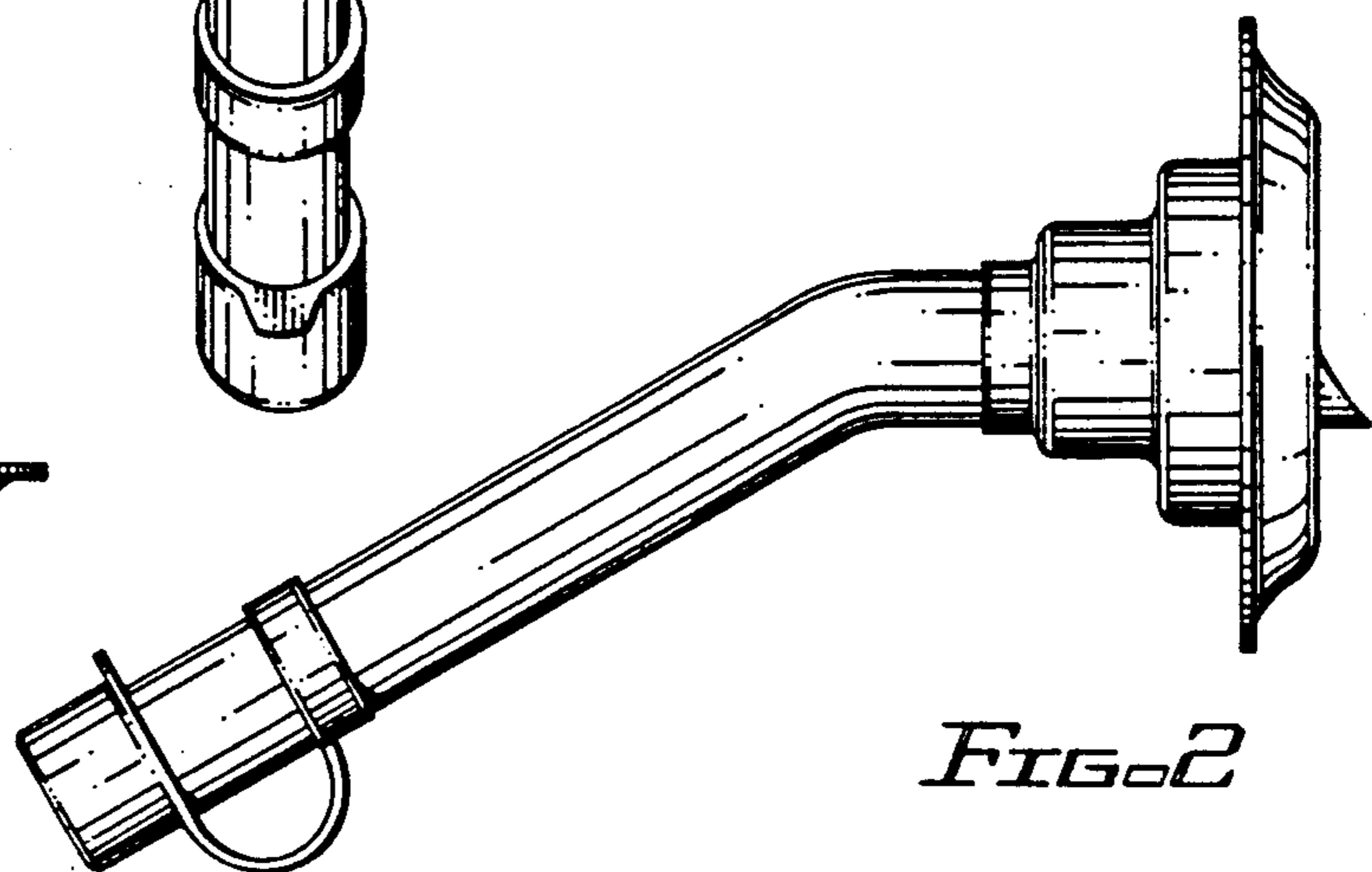


FIG. 2

FIG. 1

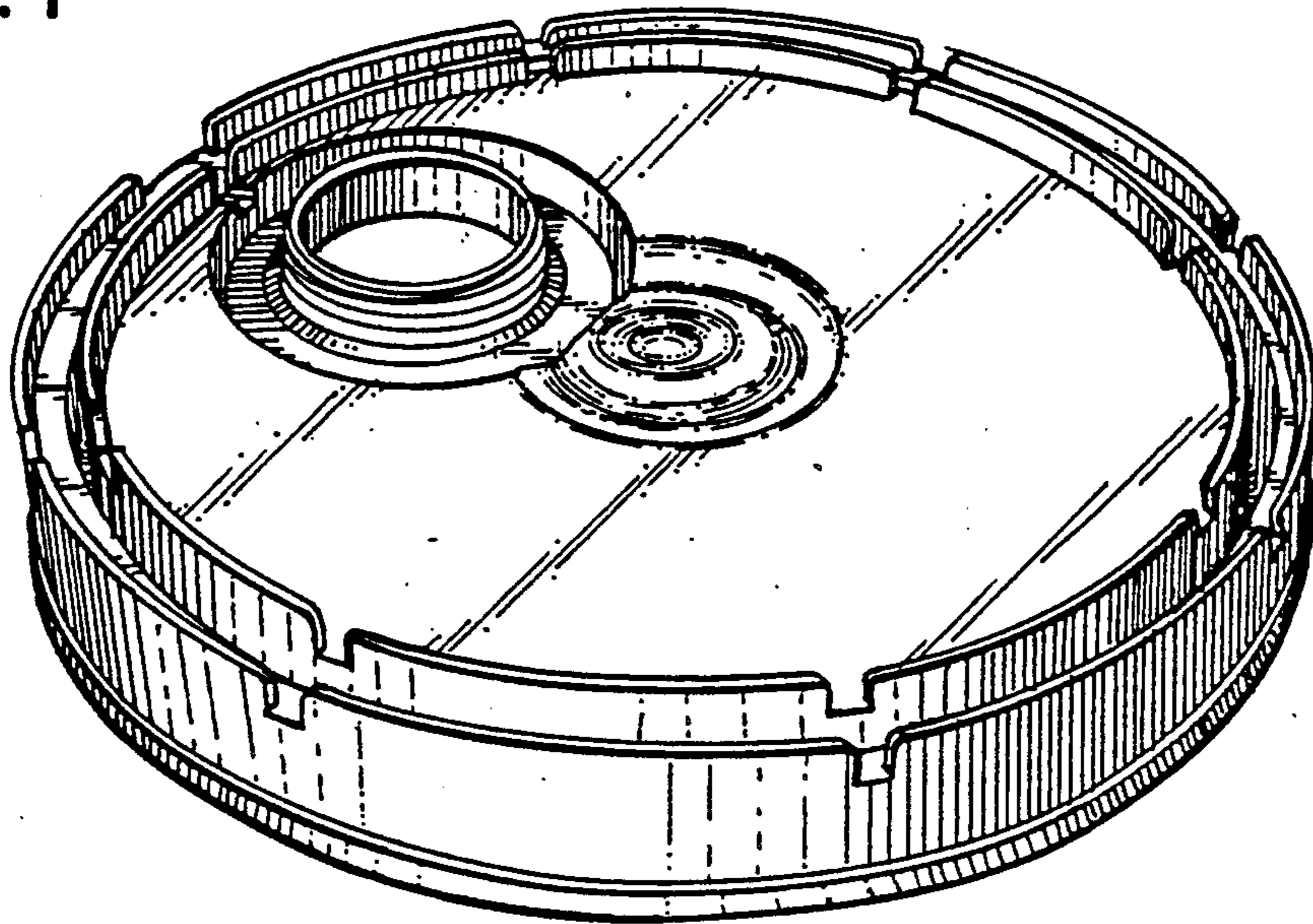
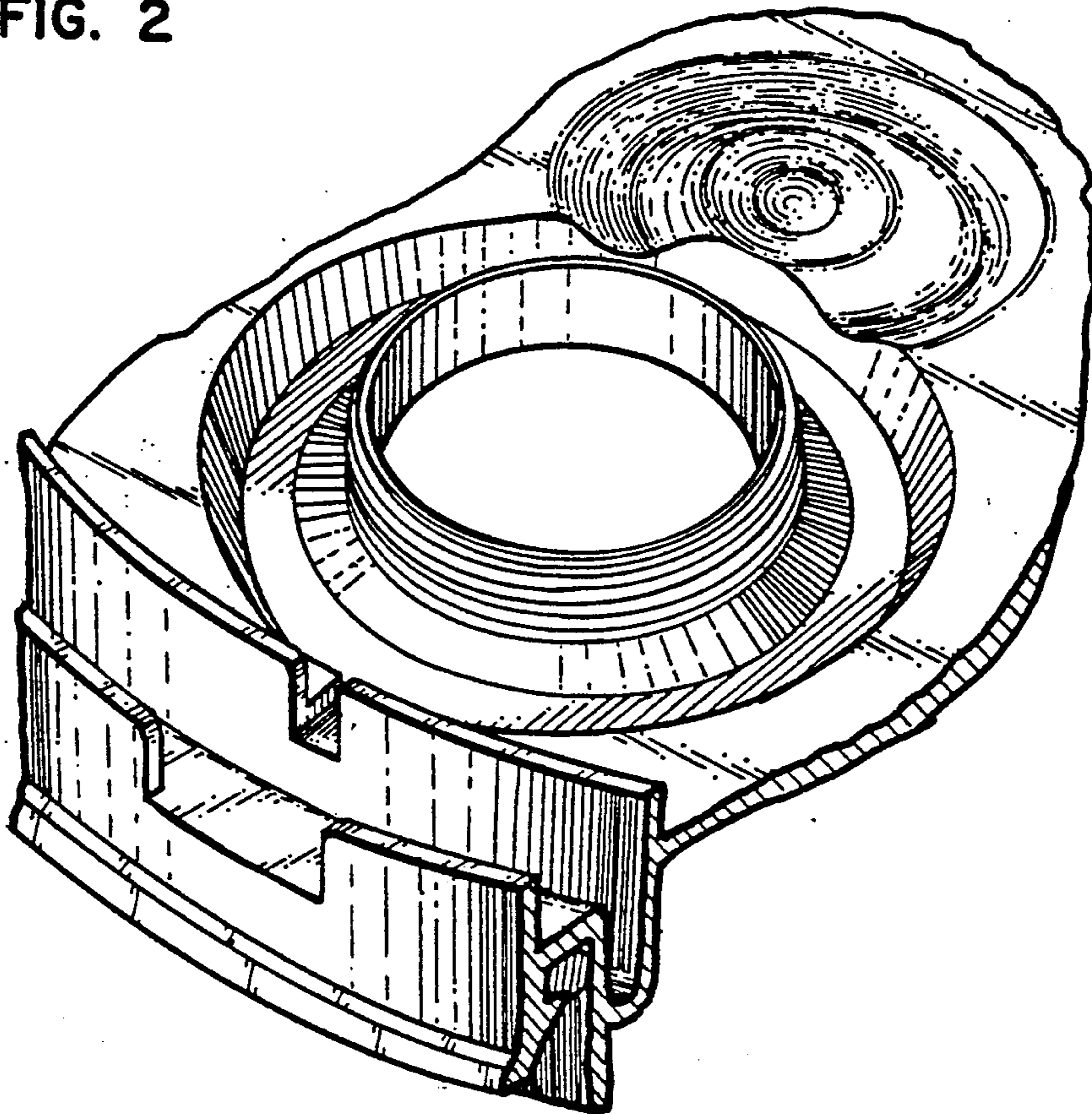


FIG. 2



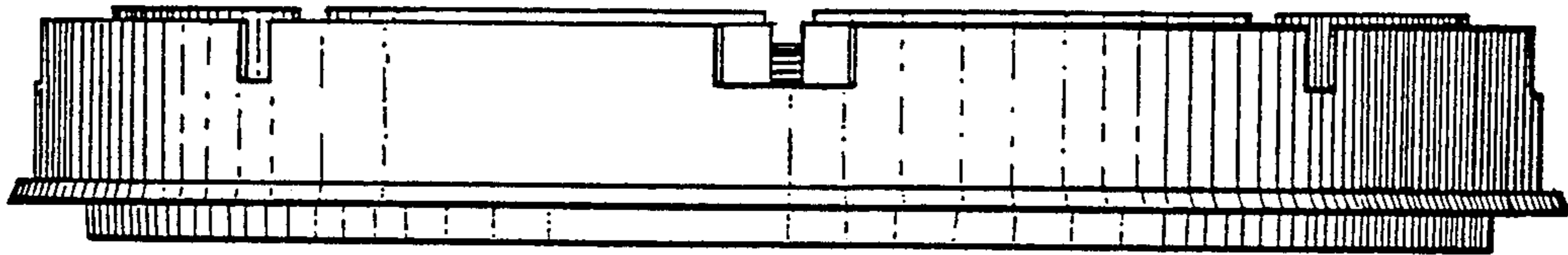


FIG. 5

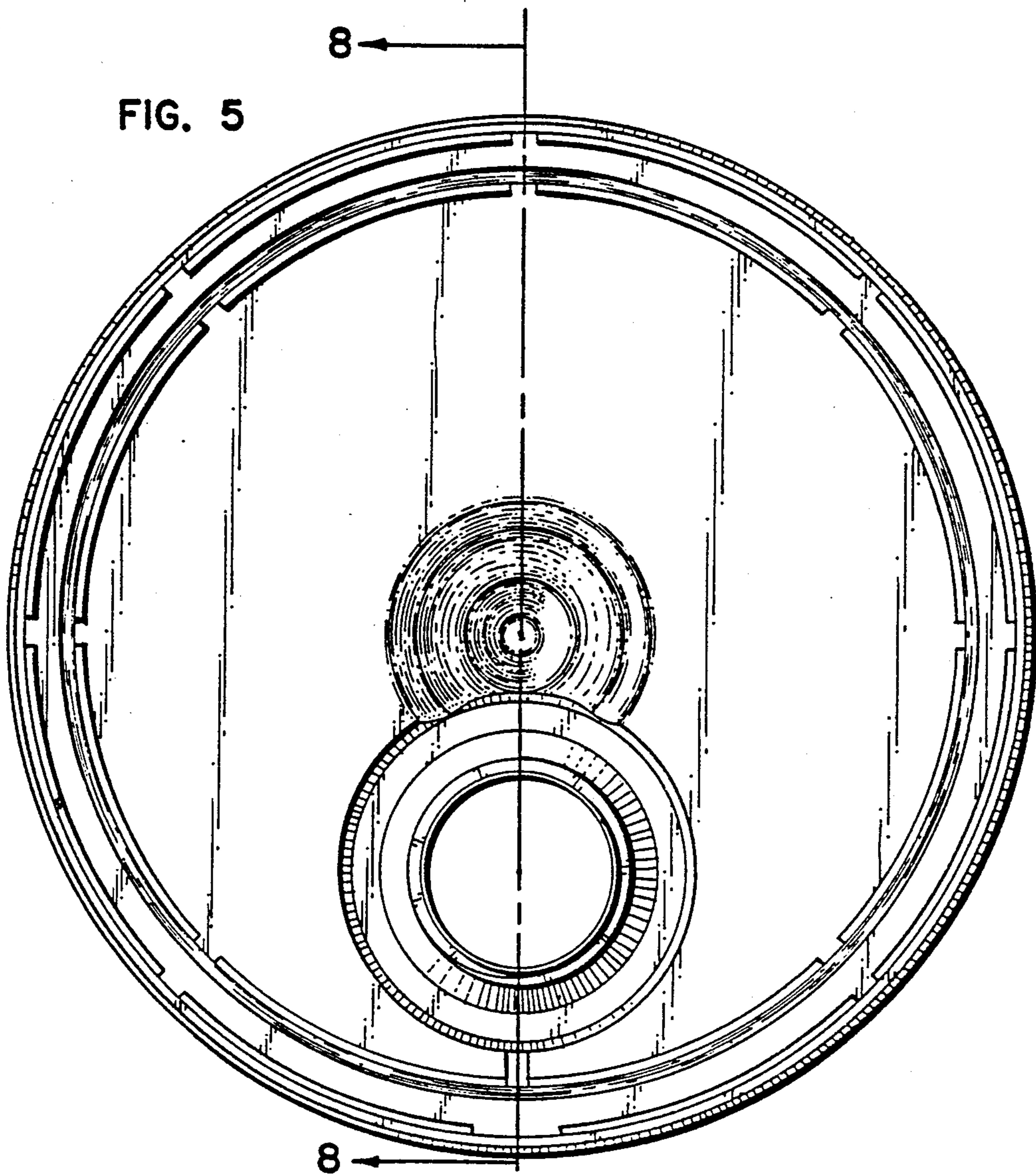


FIG. 4

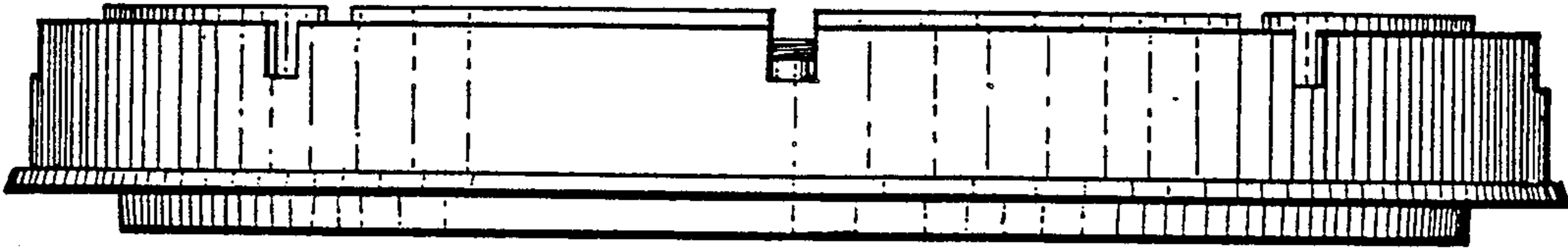


FIG. 6

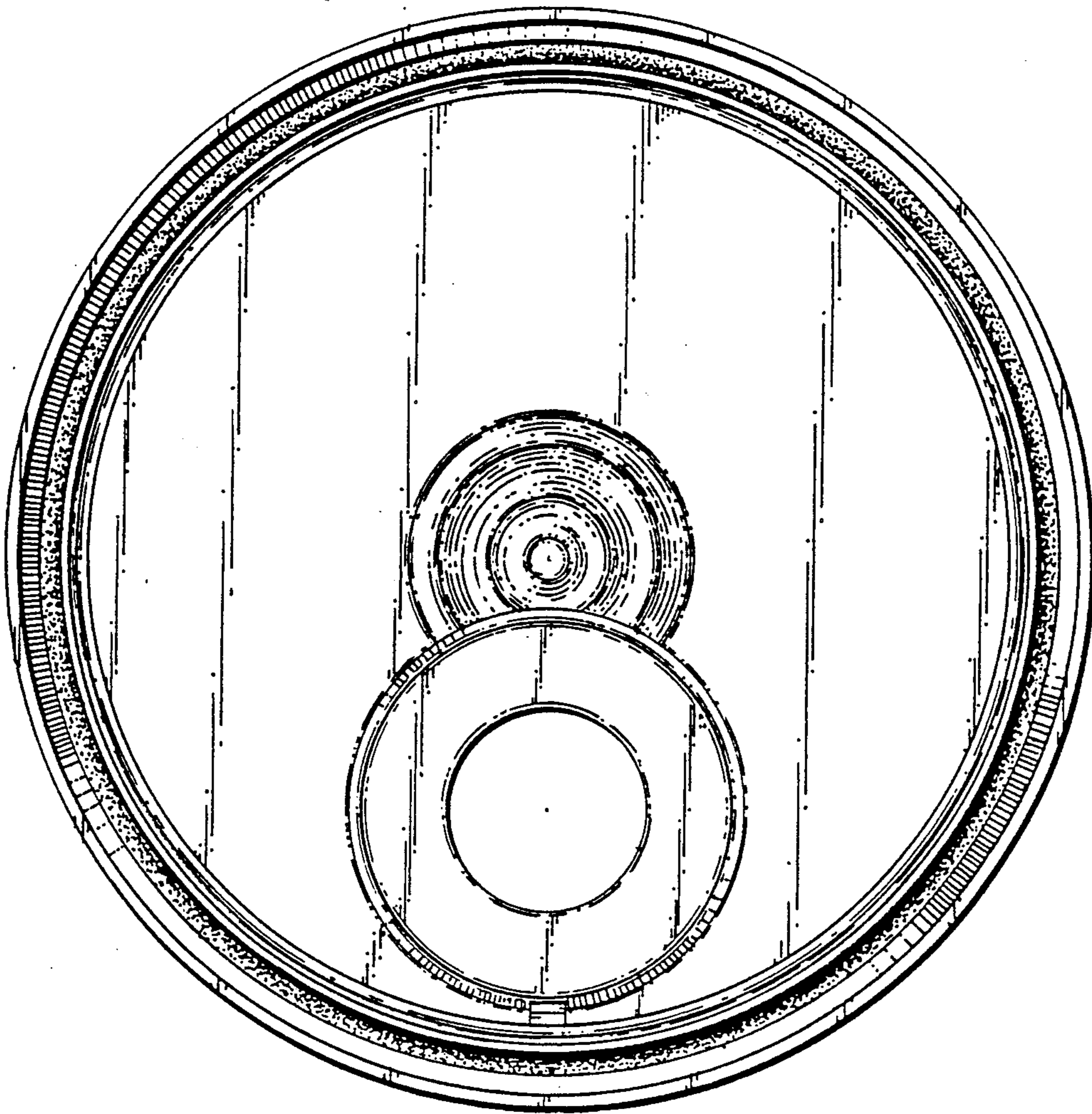


FIG. 7

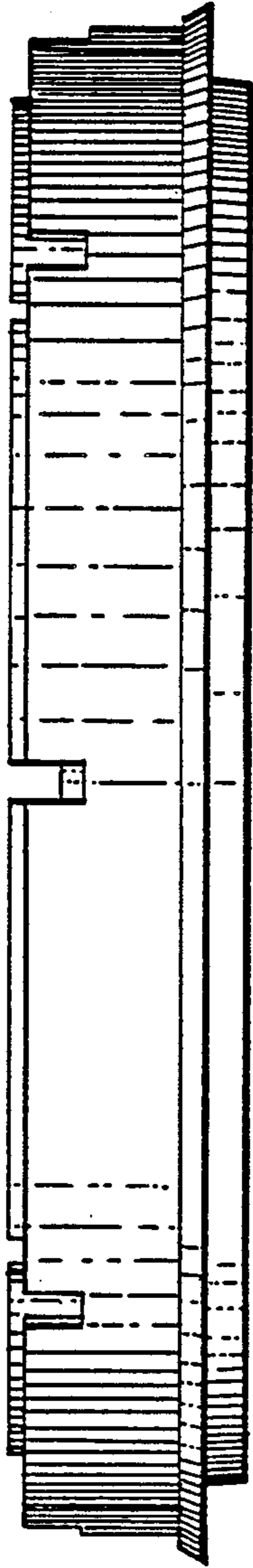


FIG. 8

