

[54] **SPOUT**

4,583,668 4/1986 Maynard, Jr. D9/446

[76] **Inventor: R. Steven Hardin, 324 E. Sunburst Pl., Tucson, Ariz. 85704**

[**] **Term: 14 Years**

[21] **Appl. No.: 161,840**

[22] **Filed: Feb. 29, 1988**

[52] **U.S. Cl. D9/435; D23/229**

[58] **Field of Search D9/435, 437, 439, 440, D9/446, 447; D23/212, 213, 228, 229, 230, 255; 222/566, 569, 570, 571; 215/1 R, 1 C**

[56] **References Cited**

U.S. PATENT DOCUMENTS

D. 182,940	5/1958	Williams	D9/447
D. 260,614	9/1981	Petersson	D9/447
D. 260,809	9/1981	Fleischmann et al.	D23/229
D. 261,416	10/1981	Siefken	D23/229
3,047,195	7/1962	Richmond	222/570
3,263,876	8/1966	Perfetto	222/569
4,034,901	7/1977	Kirk	222/570

OTHER PUBLICATIONS

Hardware Agm, Nov. 1983, p. 61, Eagle ad, Flexible Spout.

Primary Examiner—Melvin B. Feifer

Assistant Examiner—Philip Hyder

Attorney, Agent, or Firm—Cahill, Sutton & Thomas

[57] **CLAIM**

The ornamental design for a spout, as shown and described.

DESCRIPTION

FIG. 1 is a perspective view of a spout showing my new design;

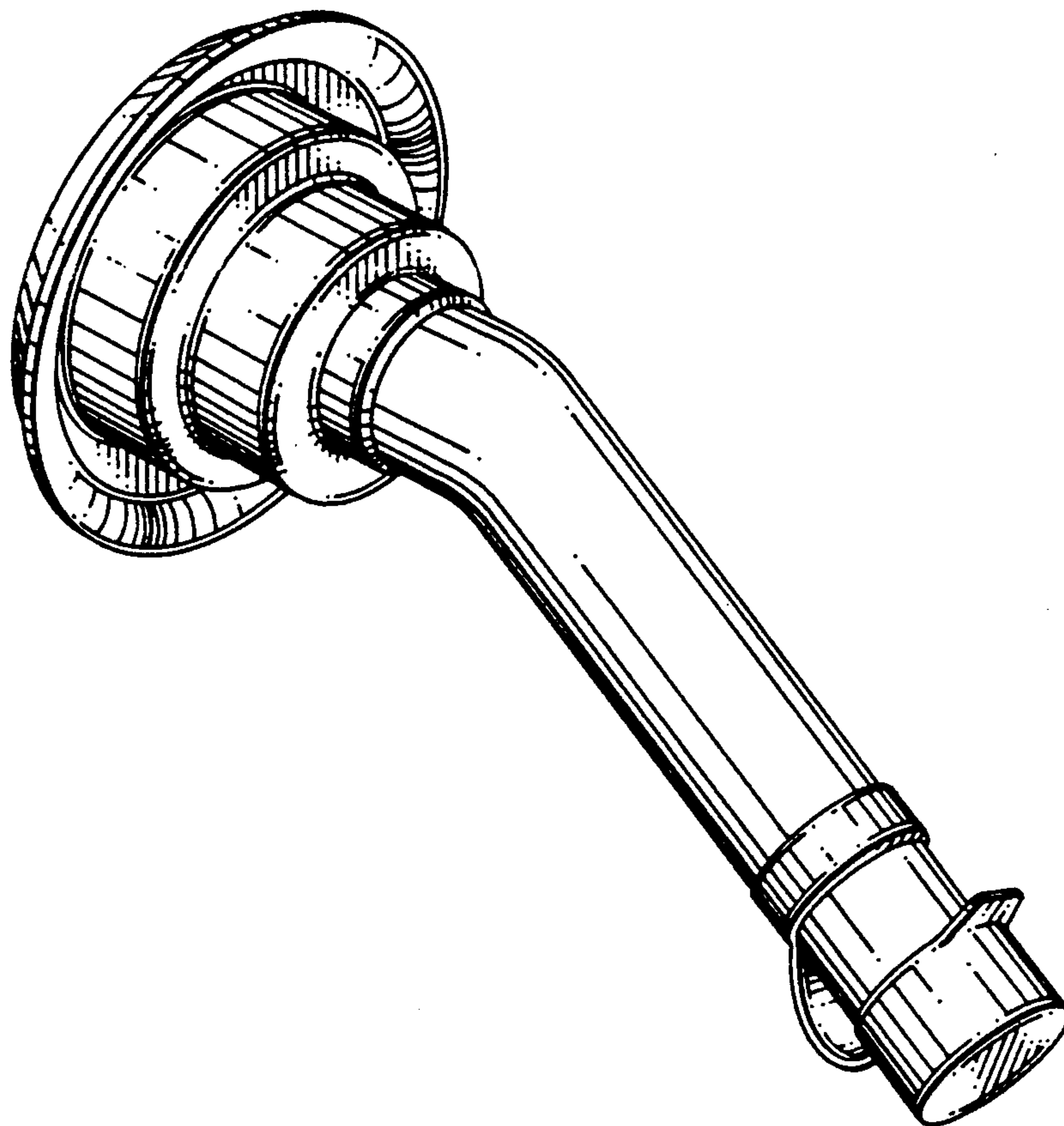
FIG. 2 is a left side elevational view thereof, the right side view being a mirror image;

FIG. 3 is a bottom plan view thereof;

FIG. 4 is a top plan view thereof;

FIG. 5 is a rear elevational view thereof; and

FIG. 6 is a front elevational view thereof.



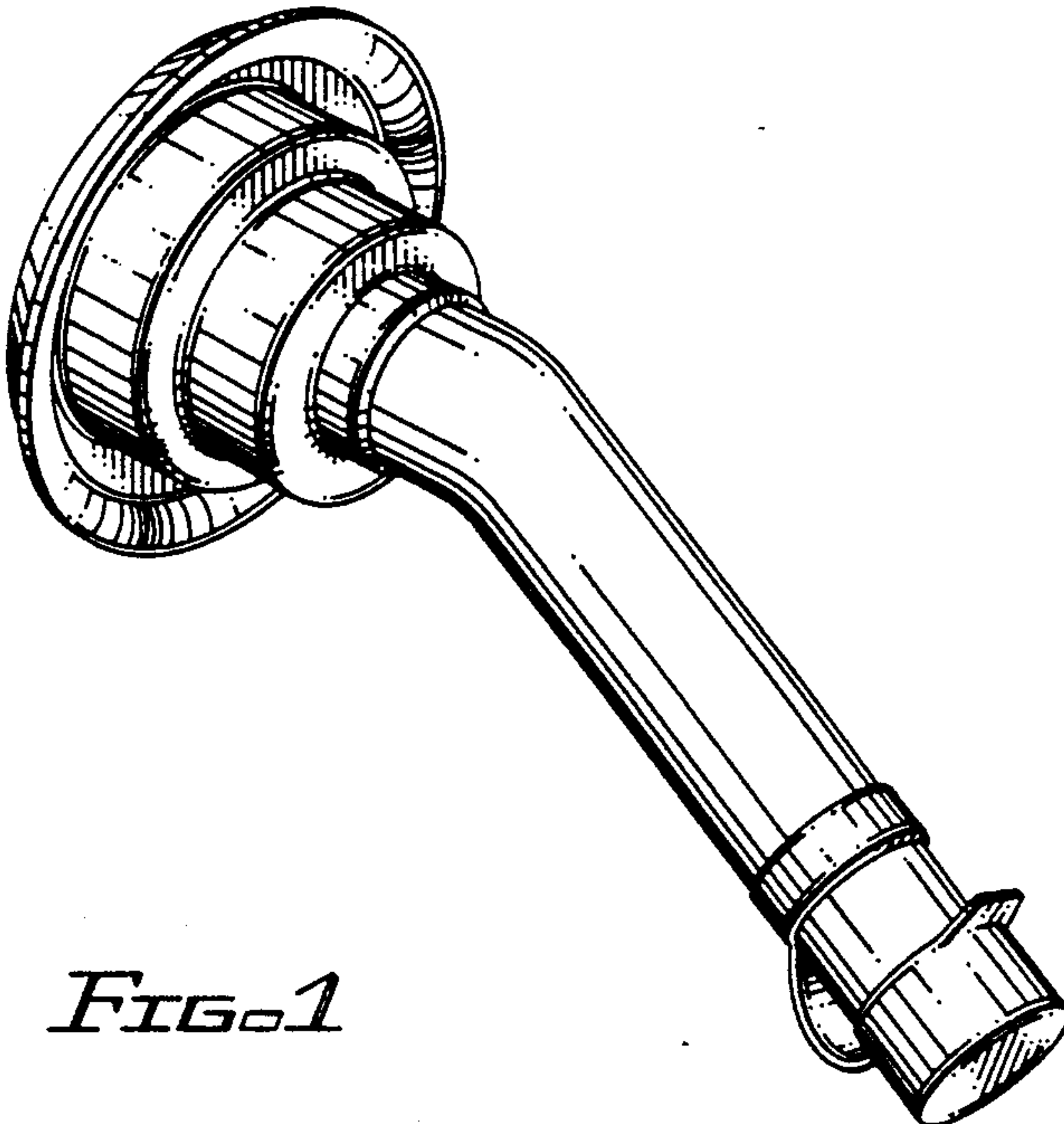


FIG. 1

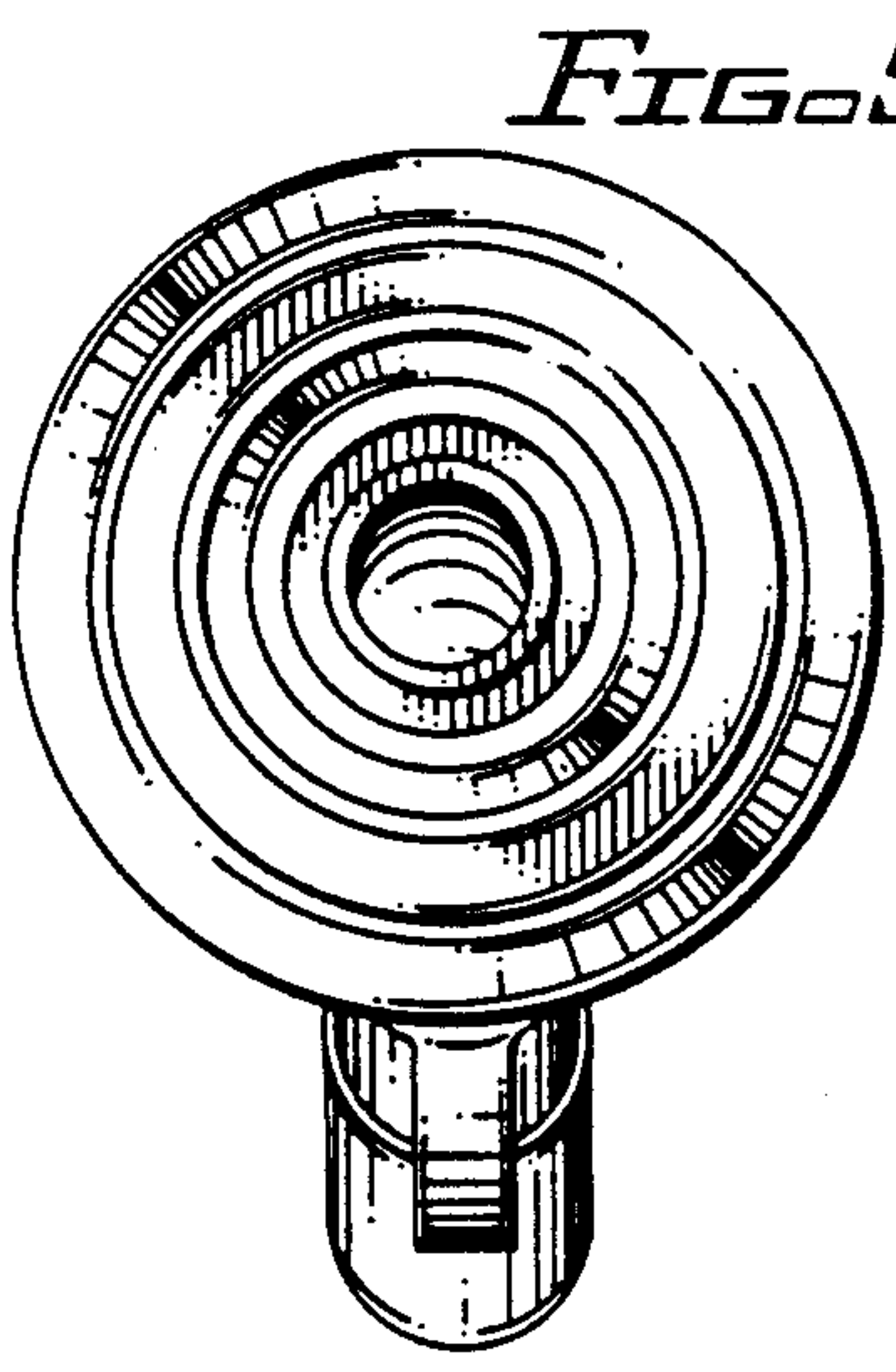


FIG. 5

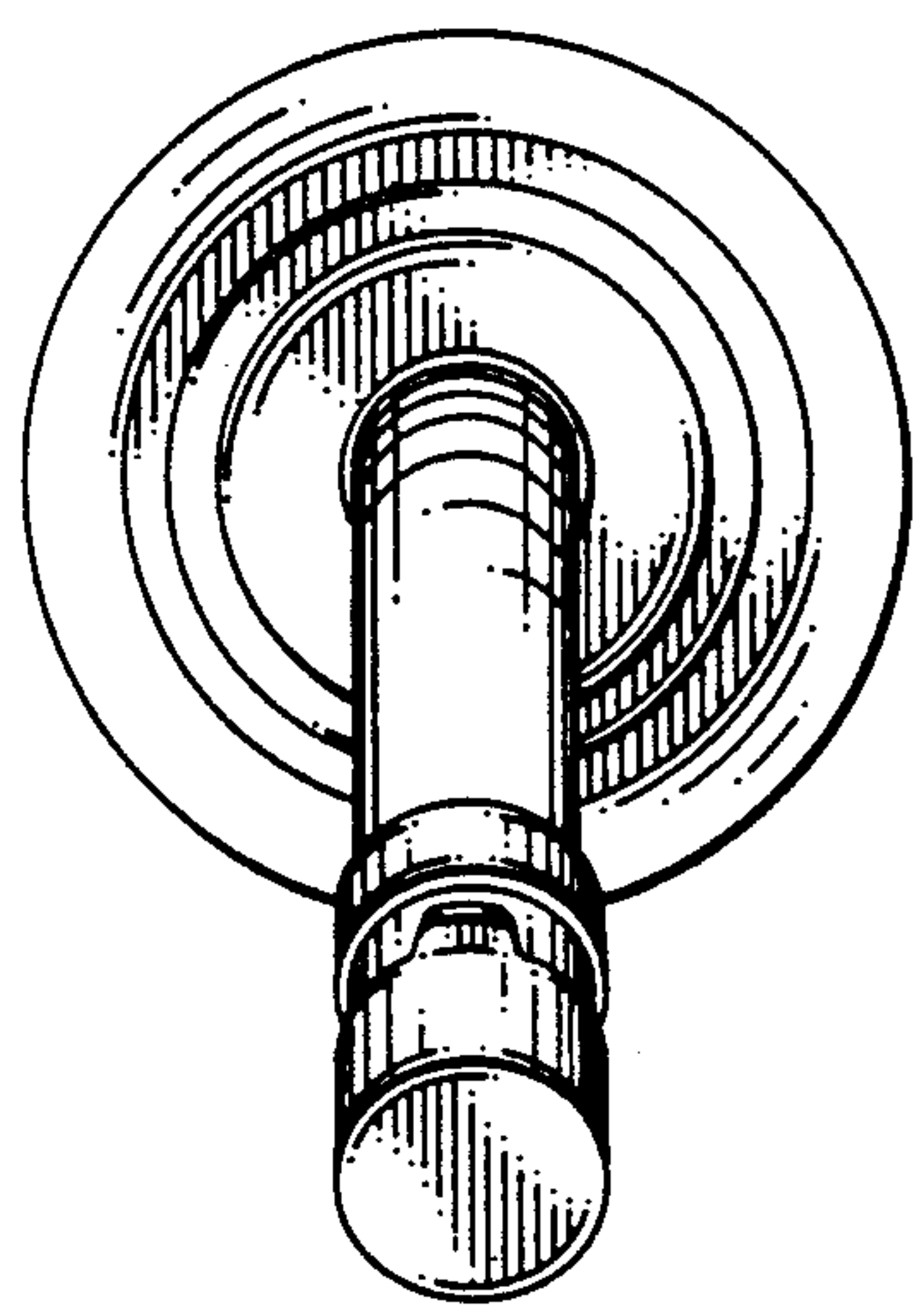


FIG. 6

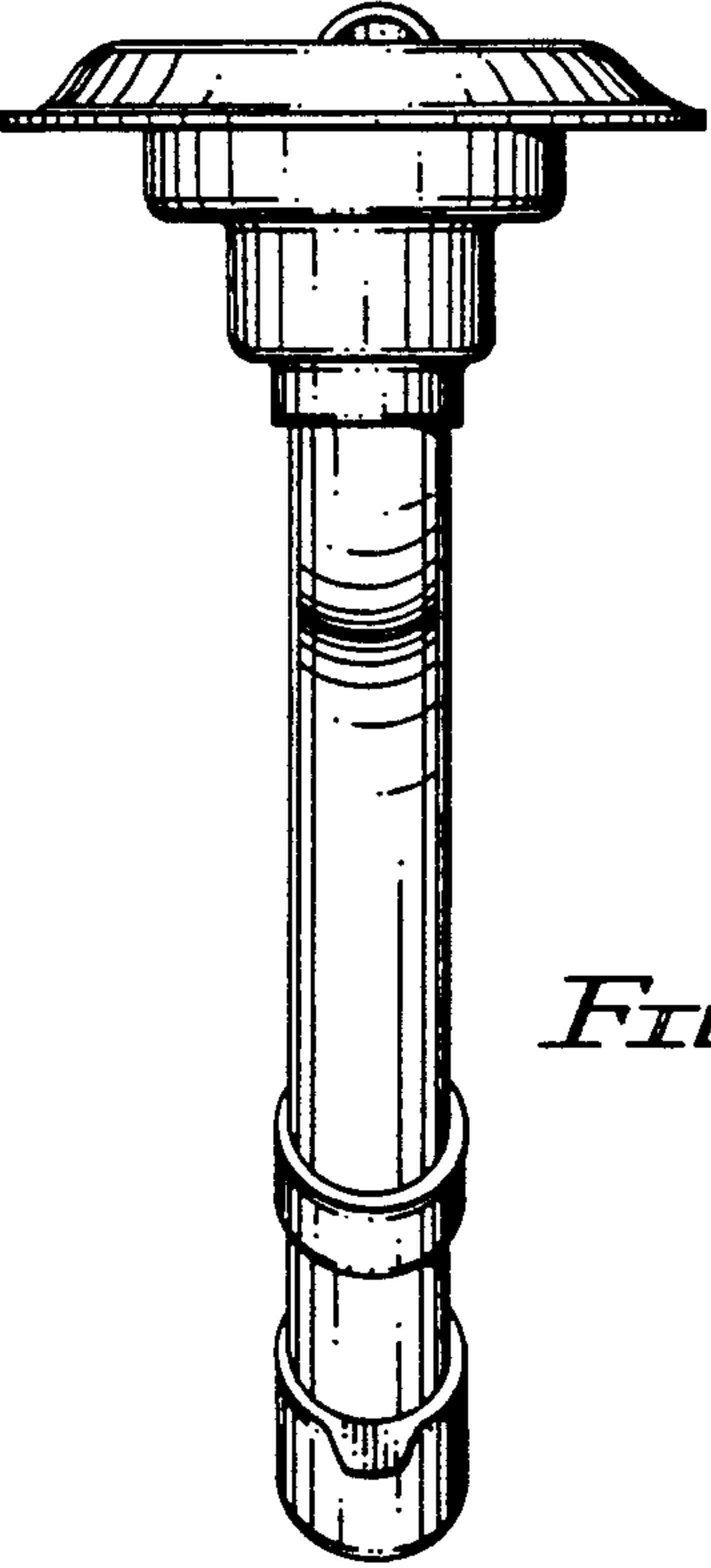


FIG. 4

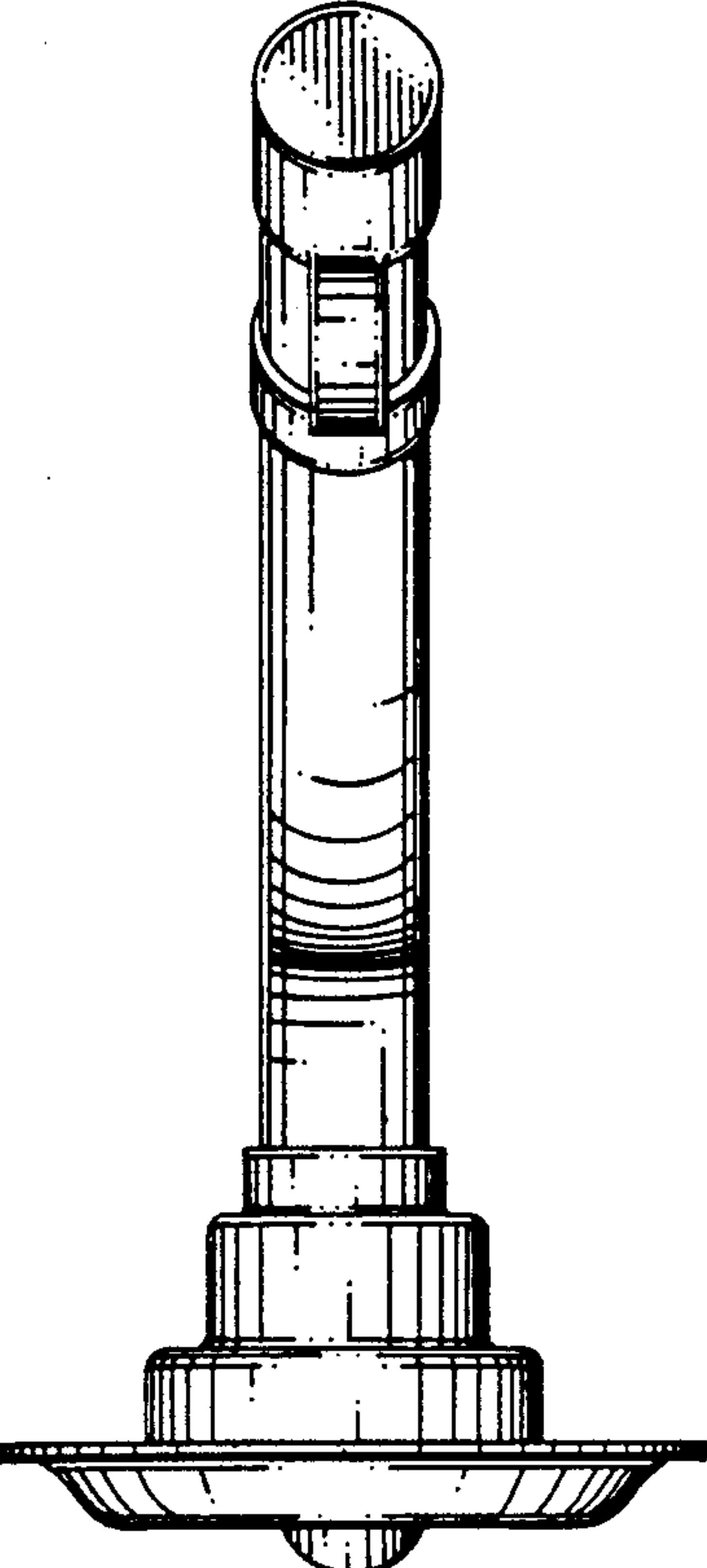


FIG. 3

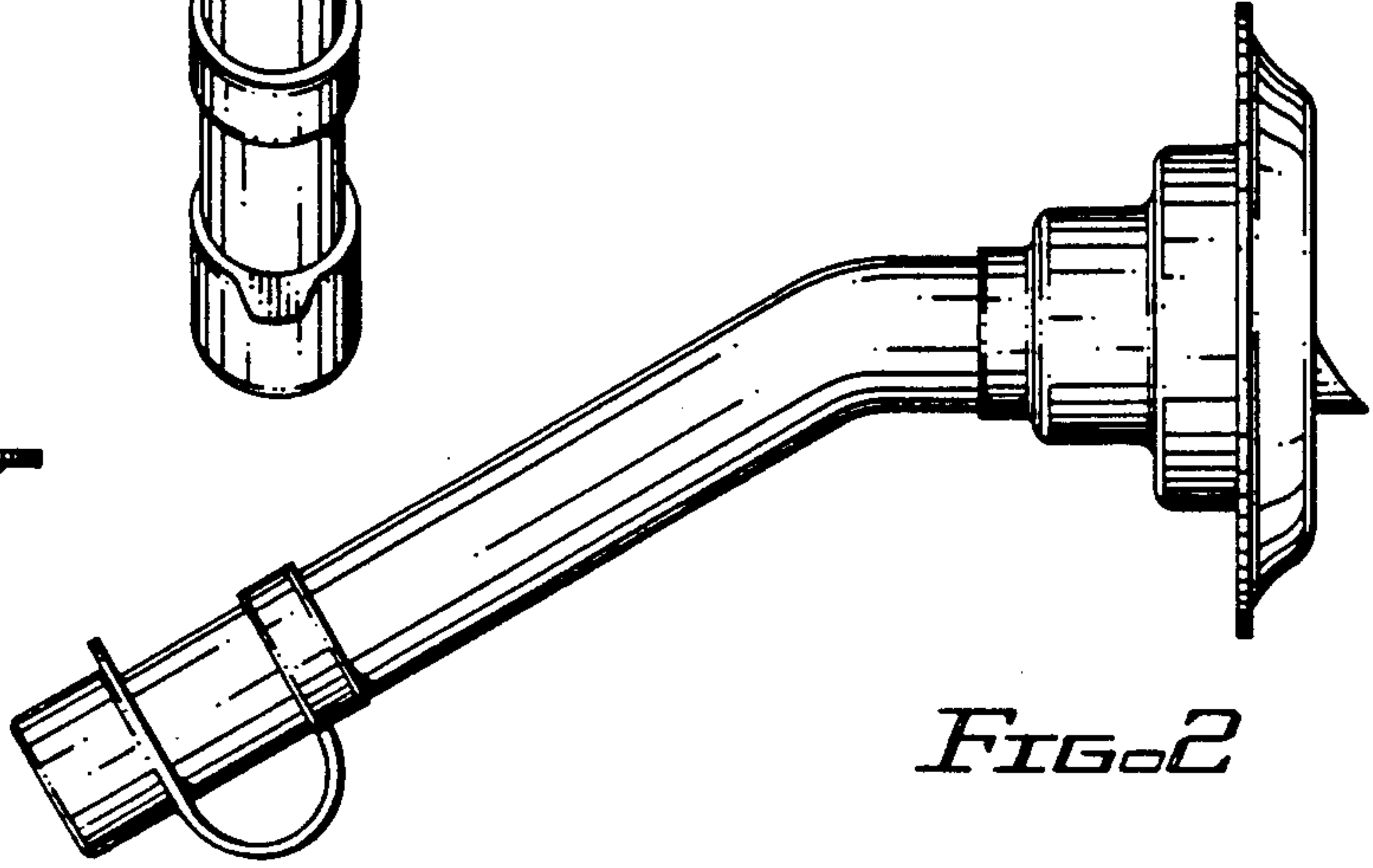


FIG. 2