

[54] SNOW GUARD

[76] Inventor: John R. McMullen, 1405 Brandton Rd., Mechanicsburg, Pa. 17055

[**] Term: 14 Years

[21] Appl. No.: 266,030

[22] Filed: Nov. 2, 1988

[52] U.S. Cl. D9/499

[58] Field of Search D8/400, 499; 52/24, 52/26

FOREIGN PATENT DOCUMENTS

0168447 10/1983 Japan 52/24

OTHER PUBLICATIONS

Carr Lane Manf. Co., 10/1965, p. 32, pic of Angle Bracket in center photo.

Primary Examiner—B. J. Bullock

Assistant Examiner—Sandra Morris

Attorney, Agent, or Firm—Sughrue, Mion, Zinn, Macpeak & Seas

[56] References Cited

U.S. PATENT DOCUMENTS

D. 109,697	5/1938	Cody	D8/499
D. 225,829	1/1973	Szabo	D8/403
D. 254,051	1/1980	Zaleski	D8/499
D. 270,234	8/1983	Shuster	D8/402
4,763,450	8/1988	Daniel	52/24

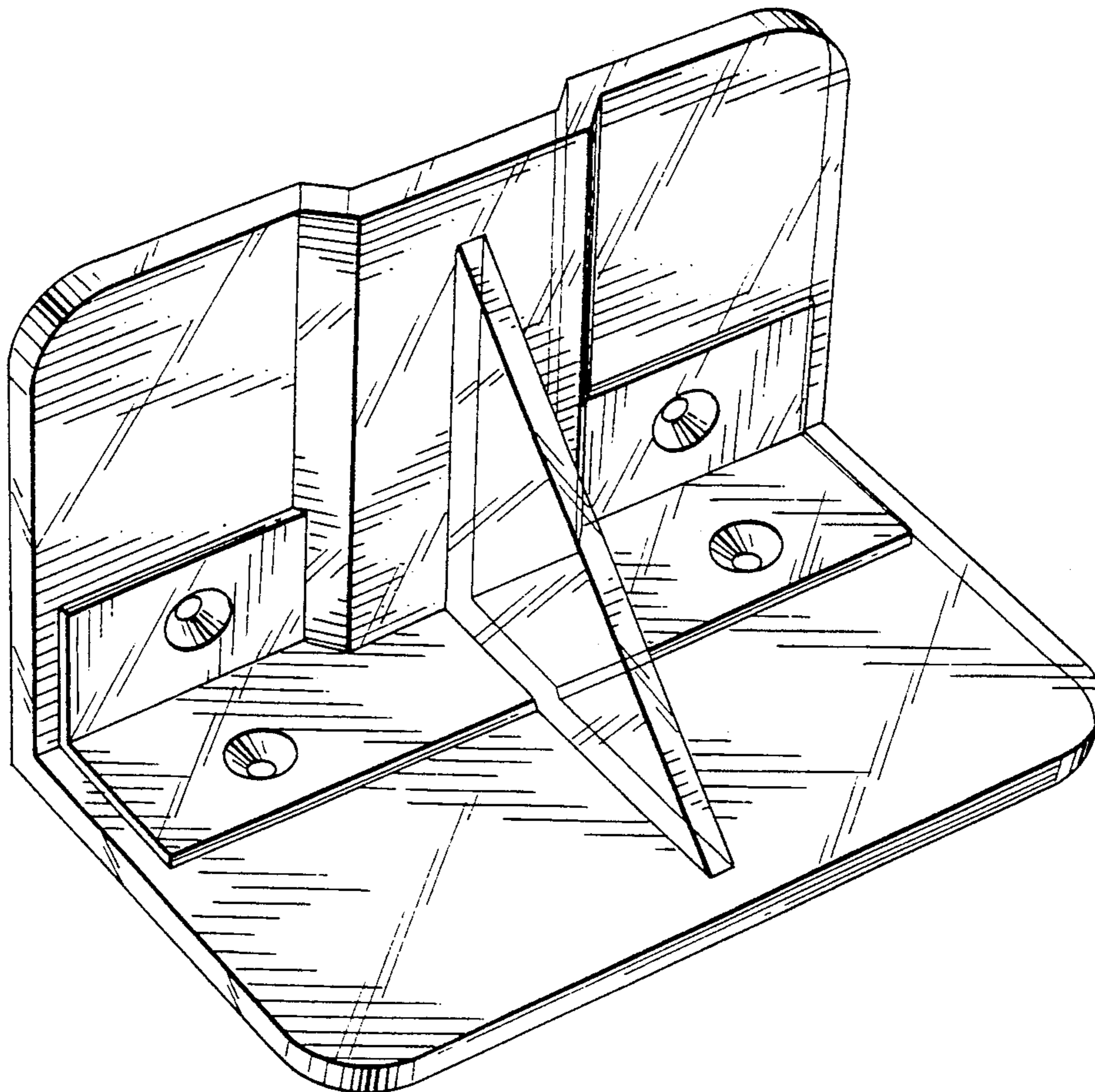
[57] CLAIM

The ornamental design for a snow guard, as shown.

DESCRIPTION

FIG. 1 is a front perspective view of a snow guard, showing my new design;

FIG. 2 is a rear perspective view thereof.



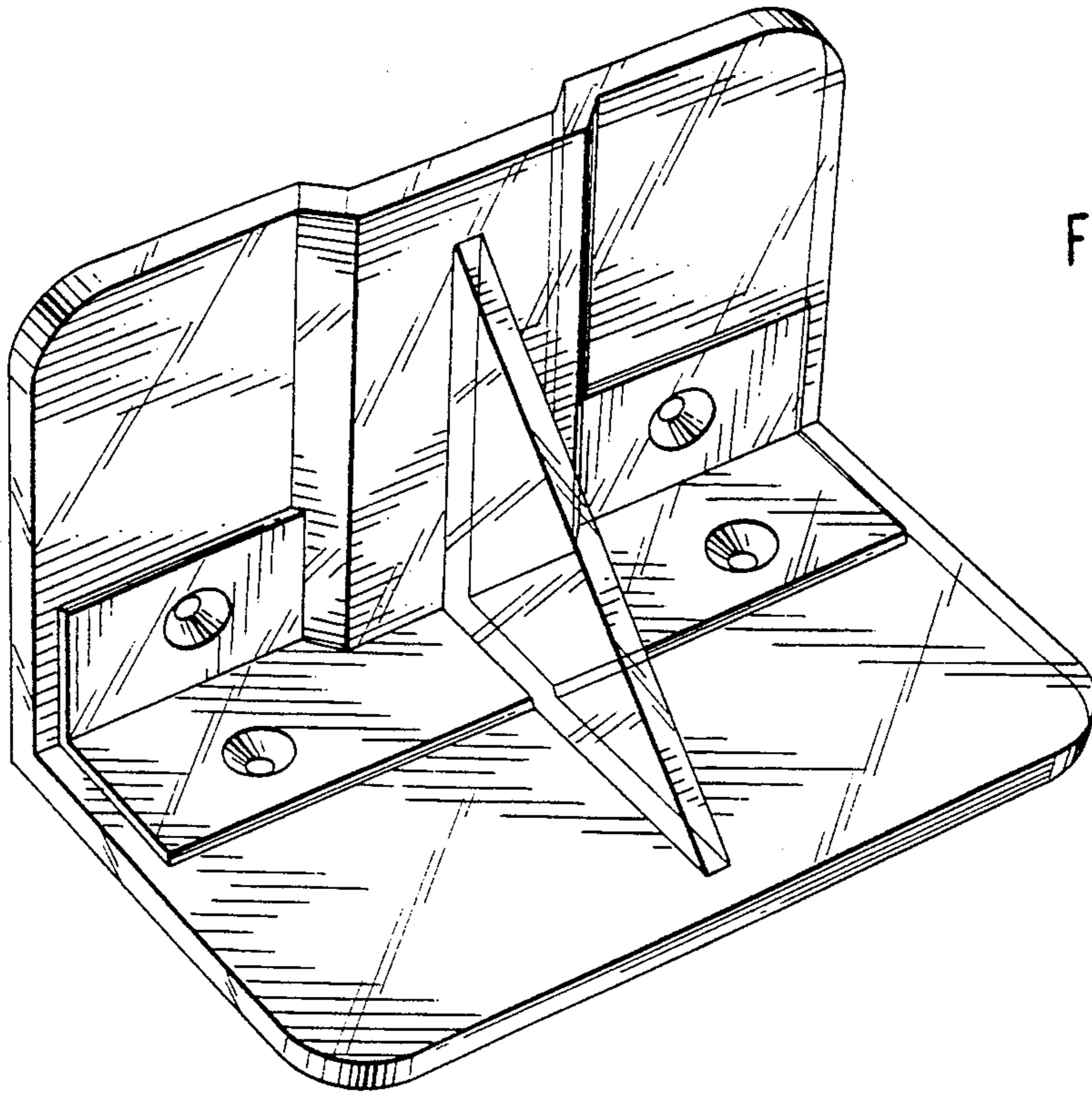


FIG. 1

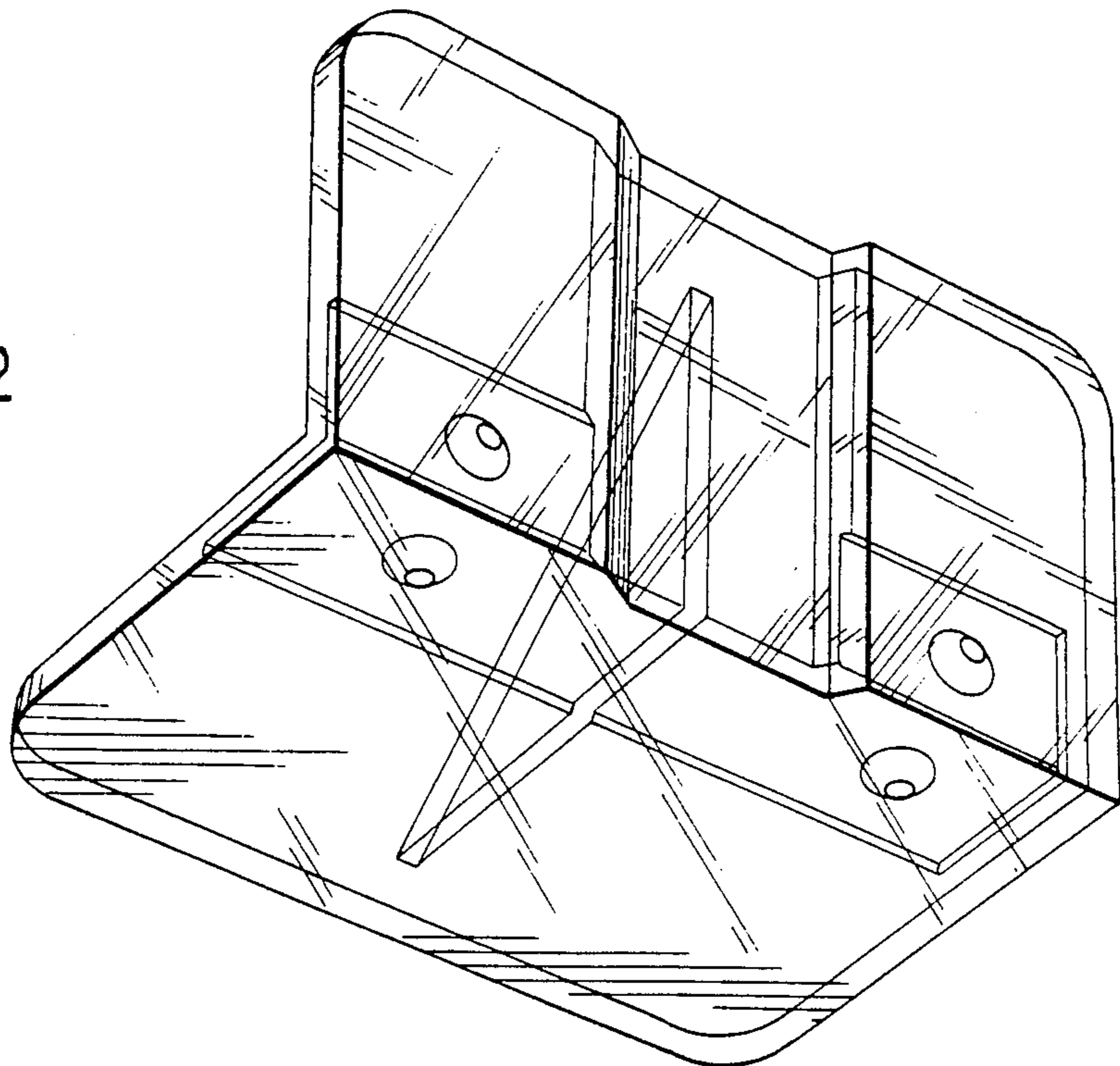


FIG. 2