

[54] SUPPORT FOR A COMPUTER MONITOR

[76] Inventor: Chin-Fong Chen, 13F-7, No. 230,  
Hsin Yi Rd., Sec. 2, Taipei, Taiwan

[\*\*] Term: 14 Years

[21] Appl. No.: 316,101

[22] Filed: Feb. 27, 1989

[52] U.S. Cl. .... D8/380

[58] Field of Search ..... D6/512, 553, 567, 574;  
D8/355, 363, 380; 248/637, 674, 157, 423, 425,  
429, 176, 225.31, 241, 274, 917, 919, 371;  
211/86-88

[56] References Cited

U.S. PATENT DOCUMENTS

D. 206,384	12/1966	Lindenmuth	.....	D8/355
D. 269,945	8/1983	Carney	.....	D8/355
D. 275,431	9/1984	Usab	.....	D8/380 X
D. 295,415	4/1988	Thies et al.	.....	D14/114
D. 309,562	7/1990	Boscacci et al.	.....	D8/373
4,395,010	7/1983	Helgeland et al.	.....	248/371

OTHER PUBLICATIONS

Misco Catalogue, (2/1988), p. 41—Monitor Arm.  
Global Computer Supplies Catalogue, (1/1988), p. 105,  
"CRT Float".

Inmac Catalogue, (1/1988), p. 115, "Omni-Arm".

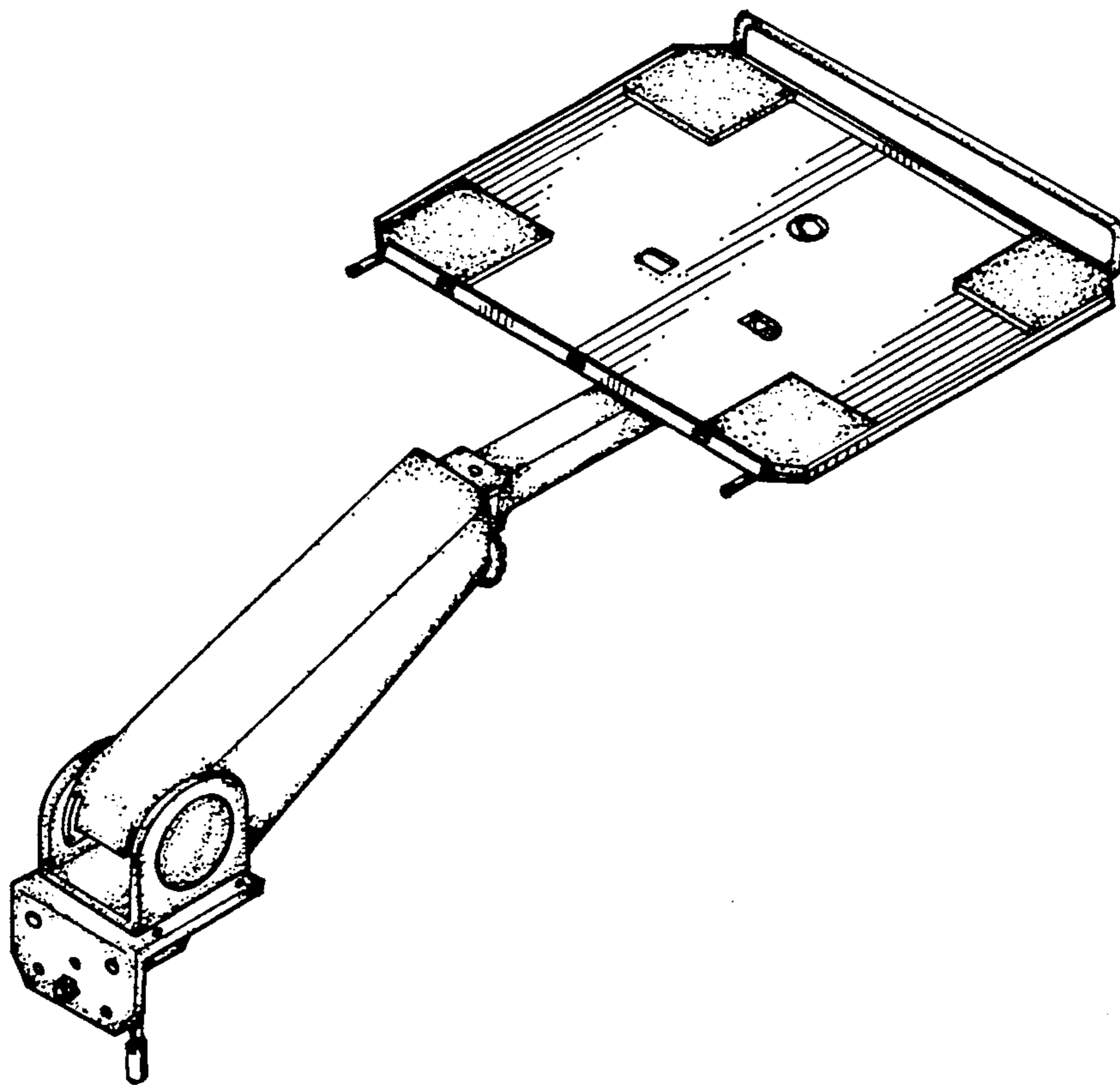
Primary Examiner—Wallace R. Burke  
Assistant Examiner—Brian N. Vinson  
Attorney, Agent, or Firm—Lowe, Price, LeBlanc,  
Becker & Shur

[57] CLAIM

The ornamental design for a support for a computer monitor, as shown.

DESCRIPTION

FIG. 1 is a perspective view of a support for a computer monitor showing my new design;  
FIG. 2 is a front elevational view thereof;  
FIG. 3 is a rear elevational view thereof;  
FIG. 4 is a top plan view thereof;  
FIG. 5 is a bottom plan view thereof;  
FIG. 6 is a left side elevational view thereof; and  
FIG. 7 is a right side elevational view thereof.



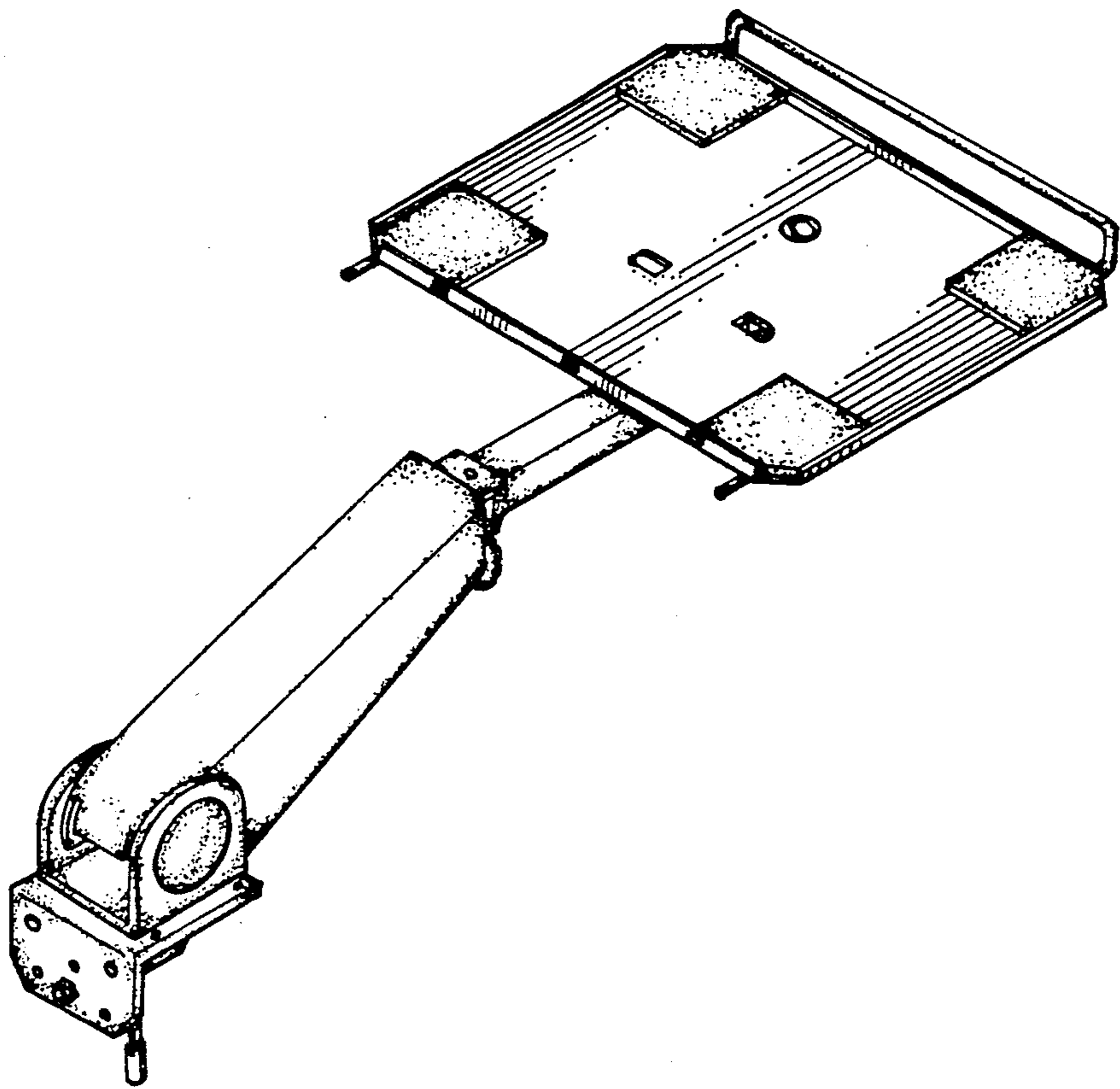


FIG. 1

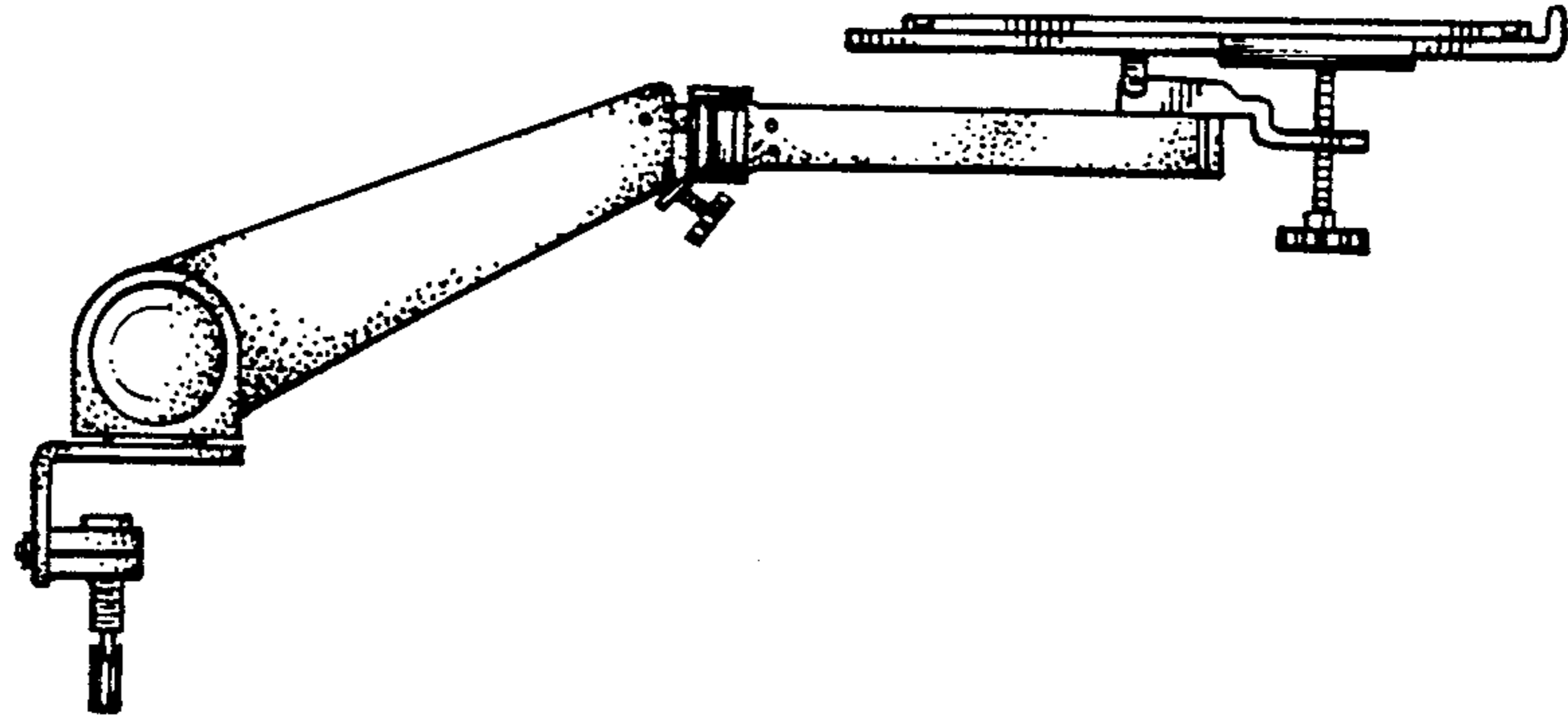


FIG. 2

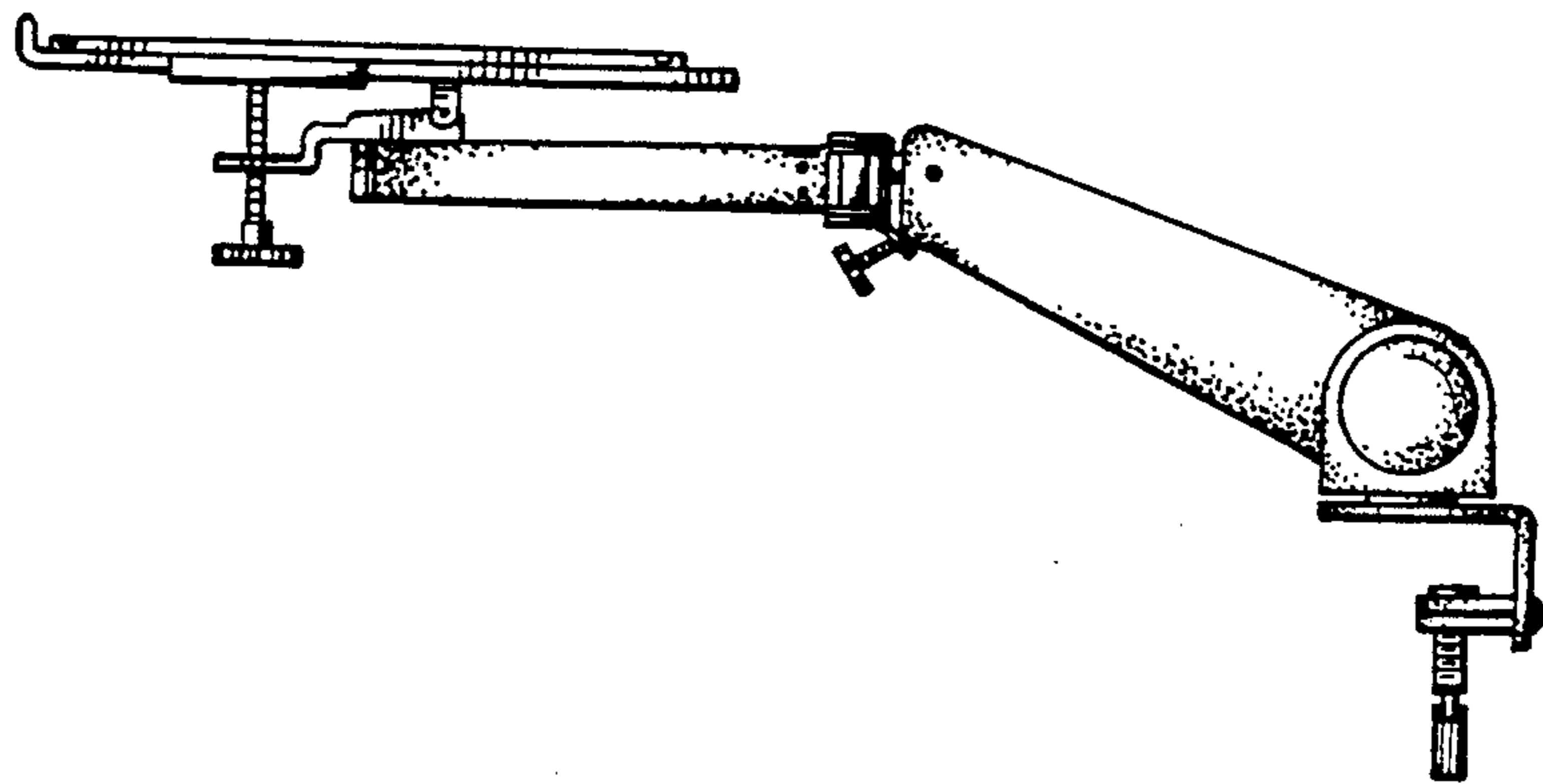


FIG. 3

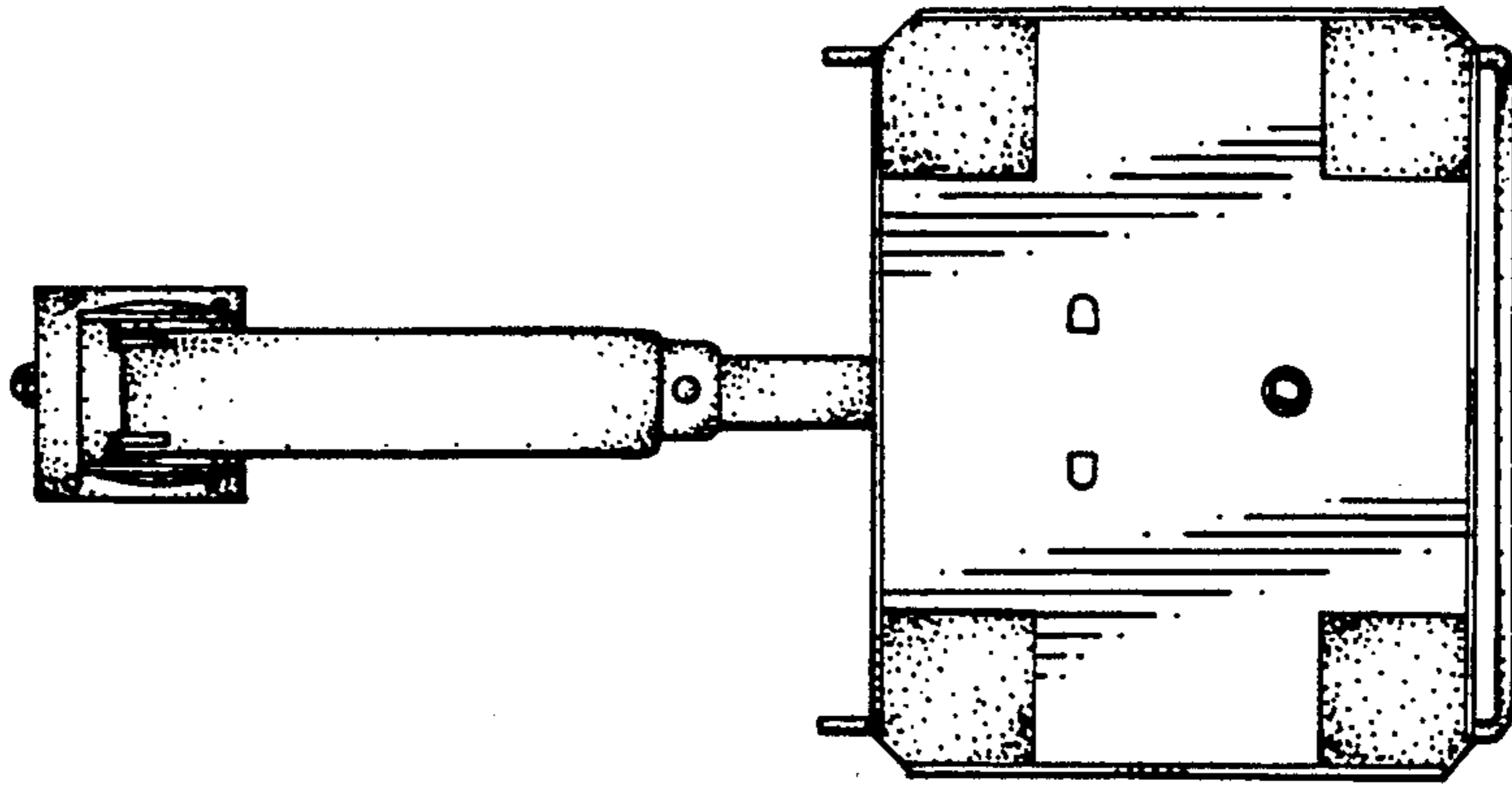


FIG. 4

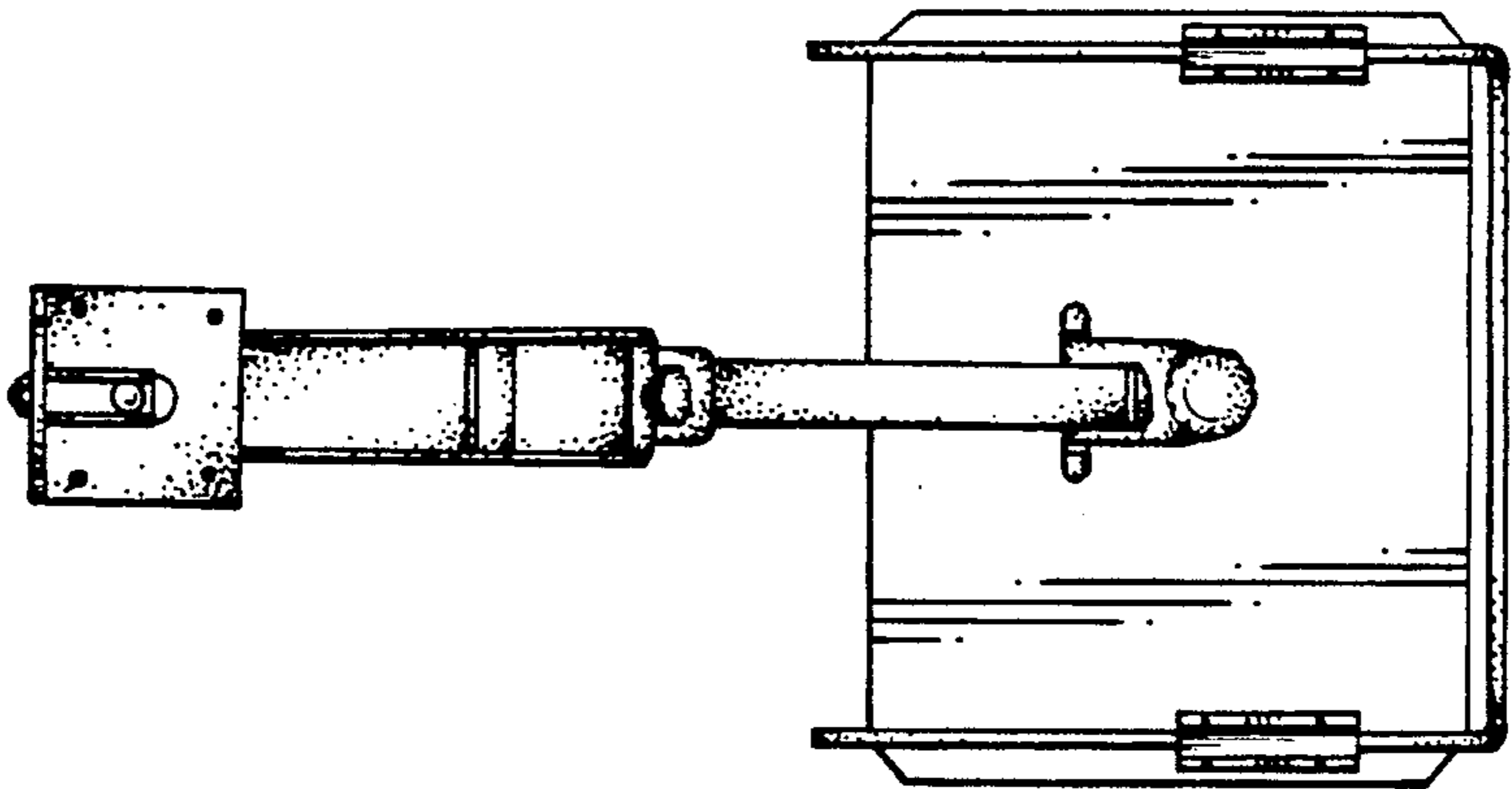


FIG. 5

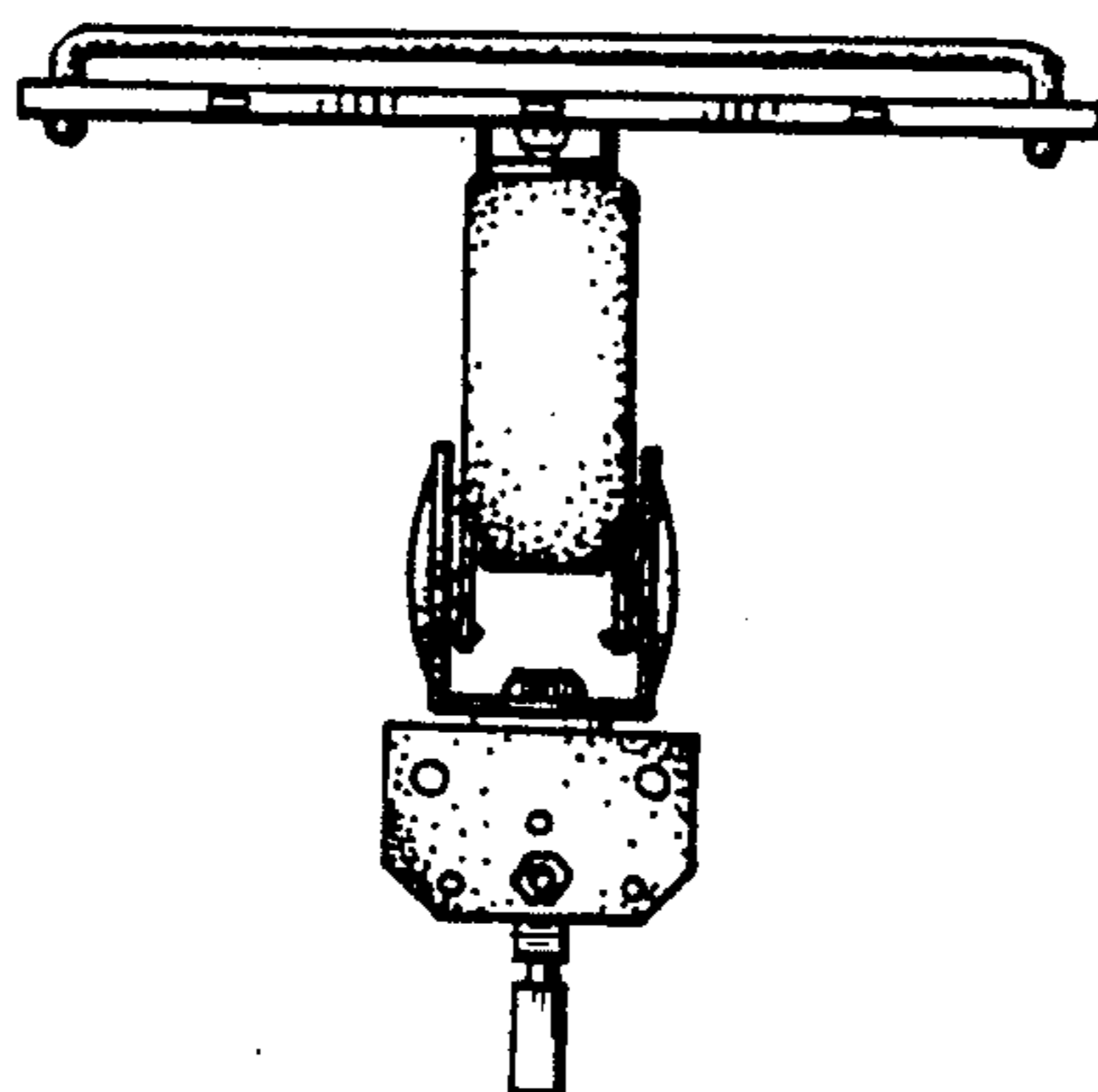


FIG. 6

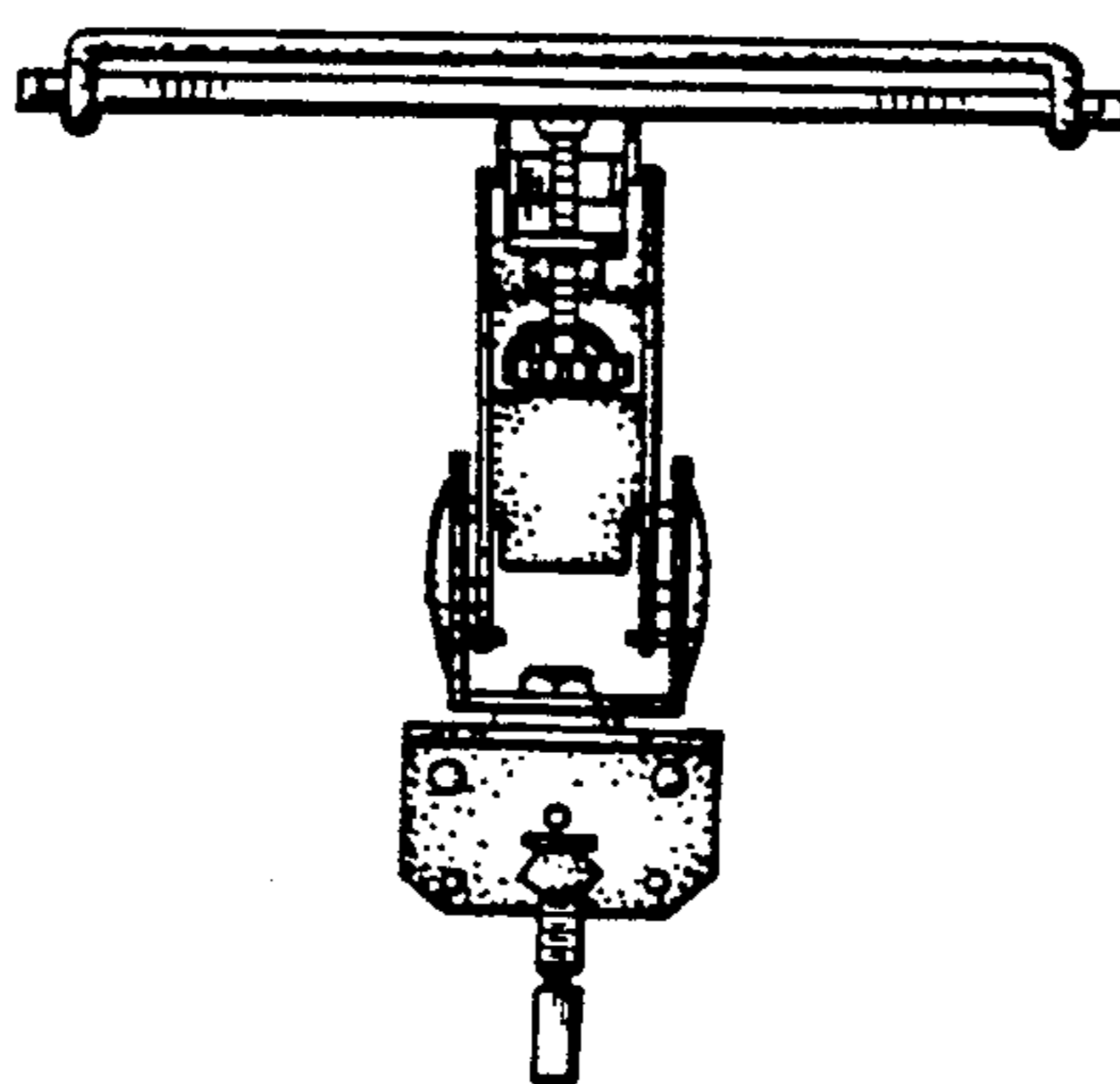


FIG. 7