

[54] **ADJUSTABLE HAIR DRYER HOLDER**

[76] **Inventor: Lillie M. Weldin, 9710 NE. 142 Ave., Vancouver, Wash. 98682**

[\*\*] **Term: 14 Years**

[21] **Appl. No.: 268,525**

[22] **Filed: Nov. 8, 1988**

[52] **U.S. Cl. .... D8/373; D6/326; D8/395; D28/73; D32/64**

[58] **Field of Search ..... D28/38, 97, 61, 62, D28/73; D19/86, 65; D8/72, 71, 395-396, 349, 354, 355, 373; D6/328, 326, 512, 529, 553; D32/32, 60, 61, 64; 211/13; 248/316.1, 316.5, 316.7; 24/507, 509, 510**

[56] **References Cited**

**U.S. PATENT DOCUMENTS**

D. 46,326	8/1914	Steimer .....	D32/60
D. 144,472	4/1946	Ward .....	D32/64
D. 144,820	5/1946	Taylor et al. ....	D32/64
D. 259,912	7/1981	Tontarelli .....	D32/61
D. 295,811	5/1988	Larsson .....	D6/326
D. 306,876	5/1990	Greenhut et al. ....	D19/86 X

2,874,495	2/1959	Fowler .....	24/507 X
4,023,763	5/1977	Pulley .....	248/316.5 X

**FOREIGN PATENT DOCUMENTS**

0016646	8/1907	Norway .....	24/510
0189367	5/1937	Switzerland .....	24/507
0463125	6/1935	United Kingdom .....	24/507
0570419	7/1945	United Kingdom .....	24/507

*Primary Examiner*—Bernard Ansher

*Assistant Examiner*—C. Tuttle

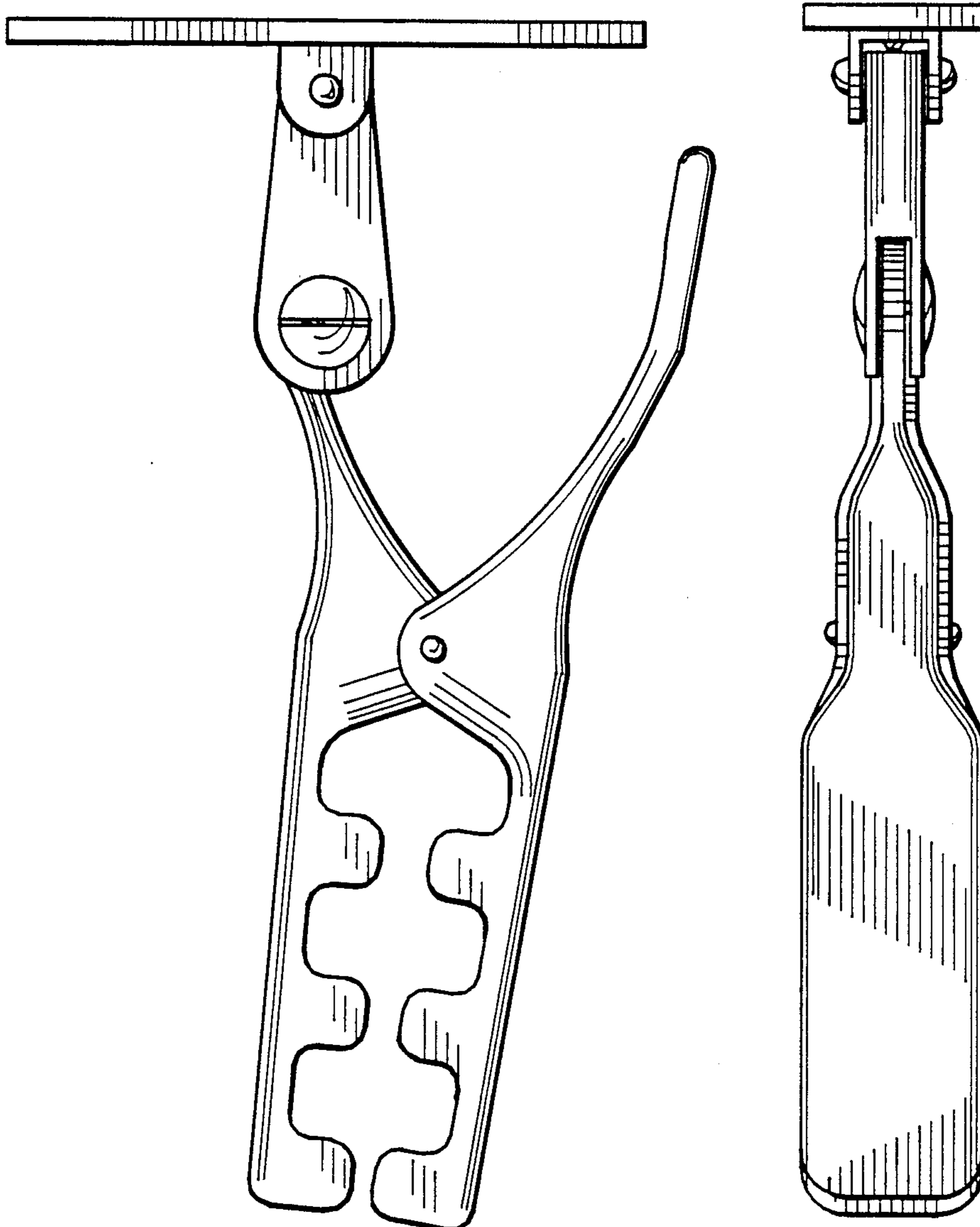
*Attorney, Agent, or Firm*—Jerry T. Kearns

[57] **CLAIM**

The ornamental design for an adjustable hair dryer holder, as shown and described.

**DESCRIPTION**

FIG. 1 is a front elevational view of an adjustable hair dryer holder showing my new design; FIG. 2 is a rear elevational view thereof; FIG. 3 is a left side elevational view thereof; FIG. 4 is a right side elevational view thereof; FIG. 5 is a top plan view thereof; and, FIG. 6 is a bottom plan view thereof.



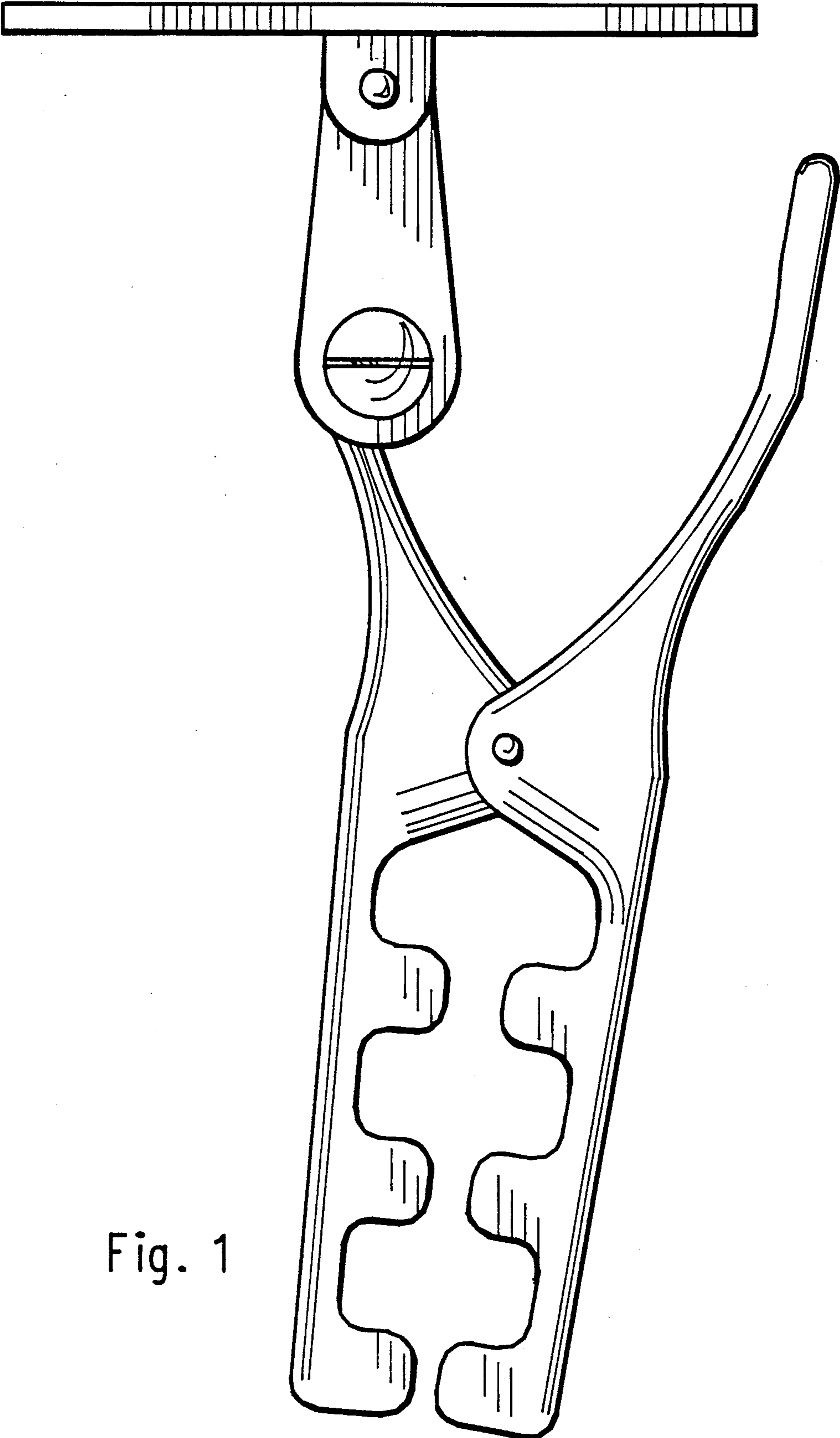


Fig. 1

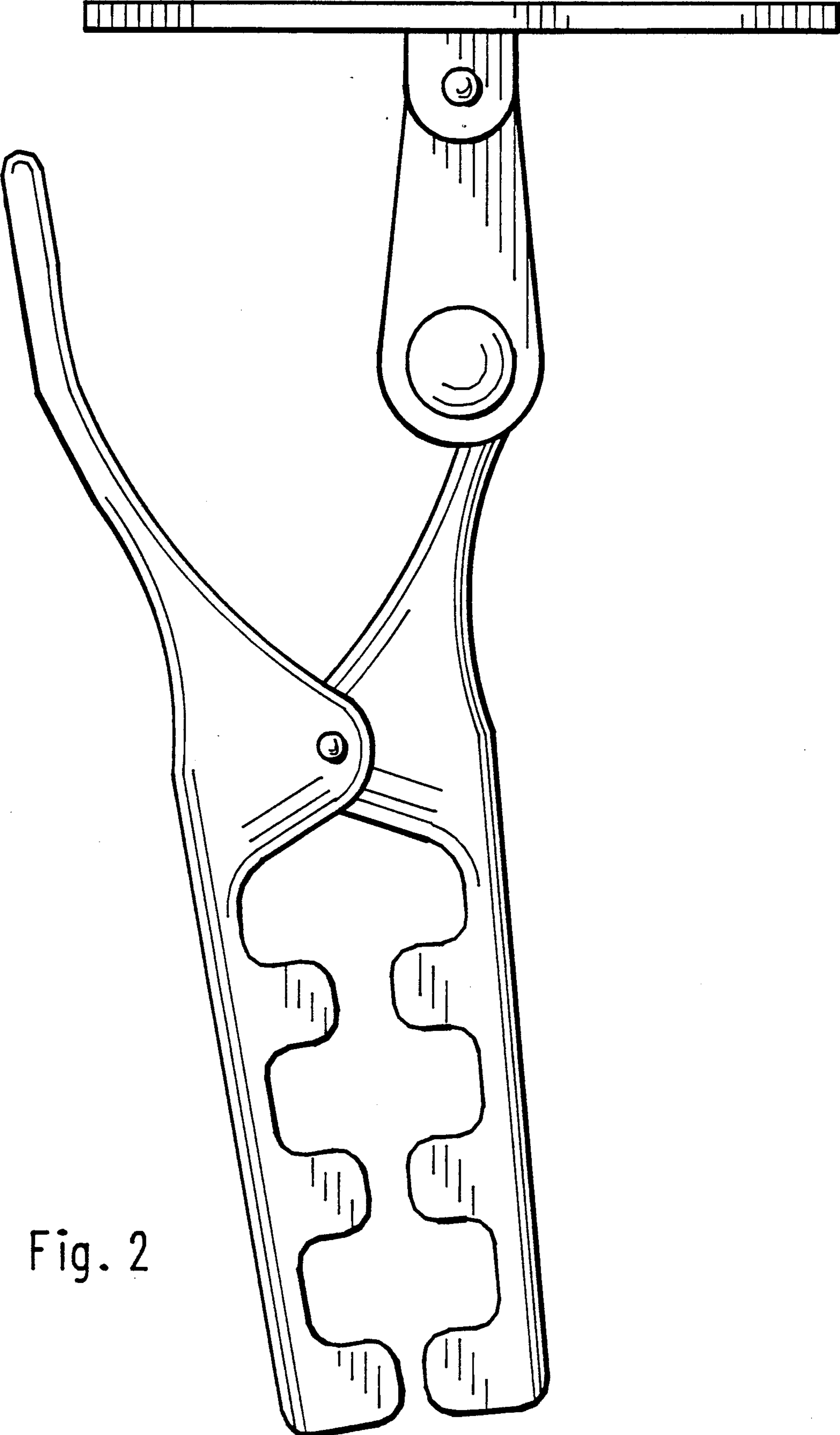


Fig. 2

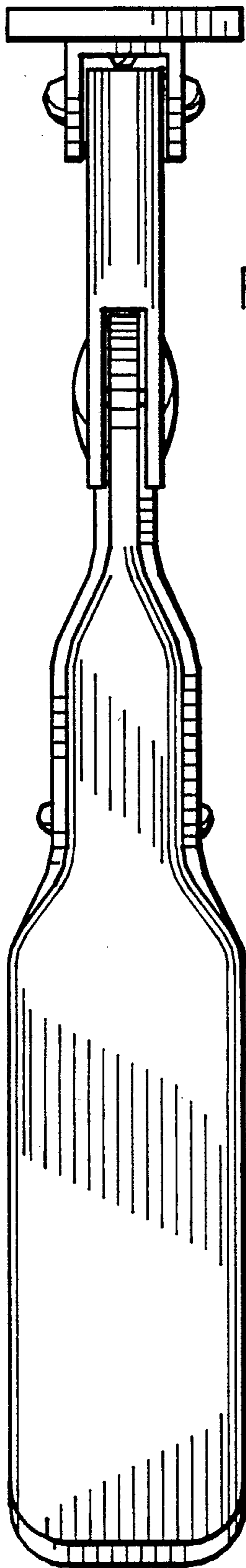


Fig. 3

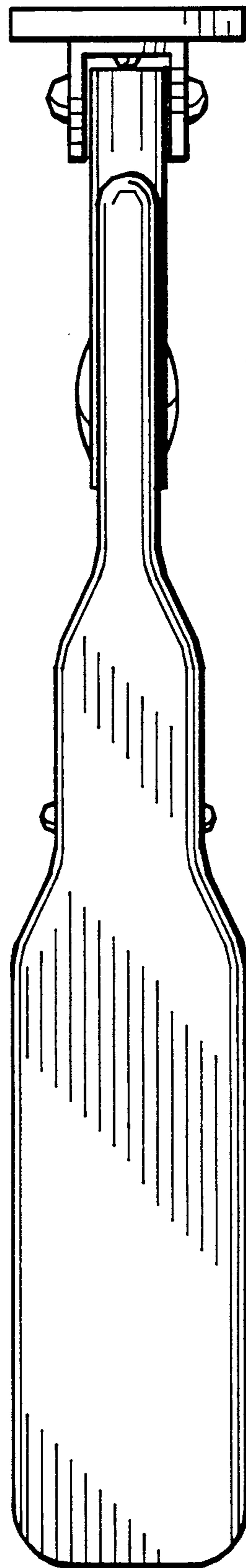


Fig. 4

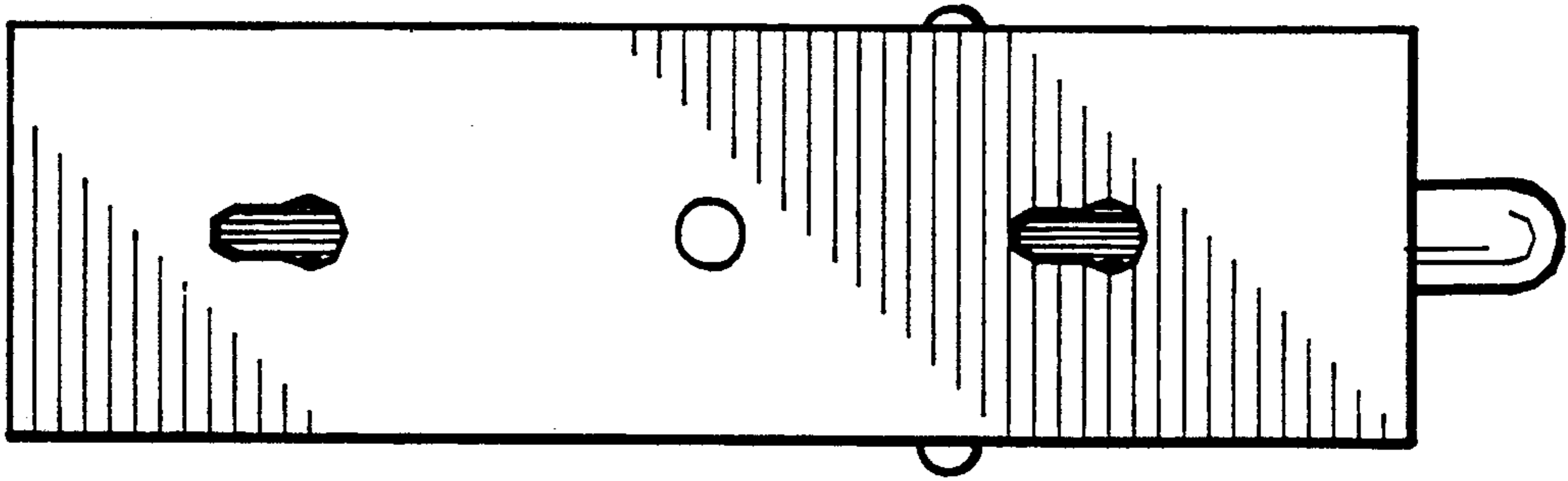


Fig. 5

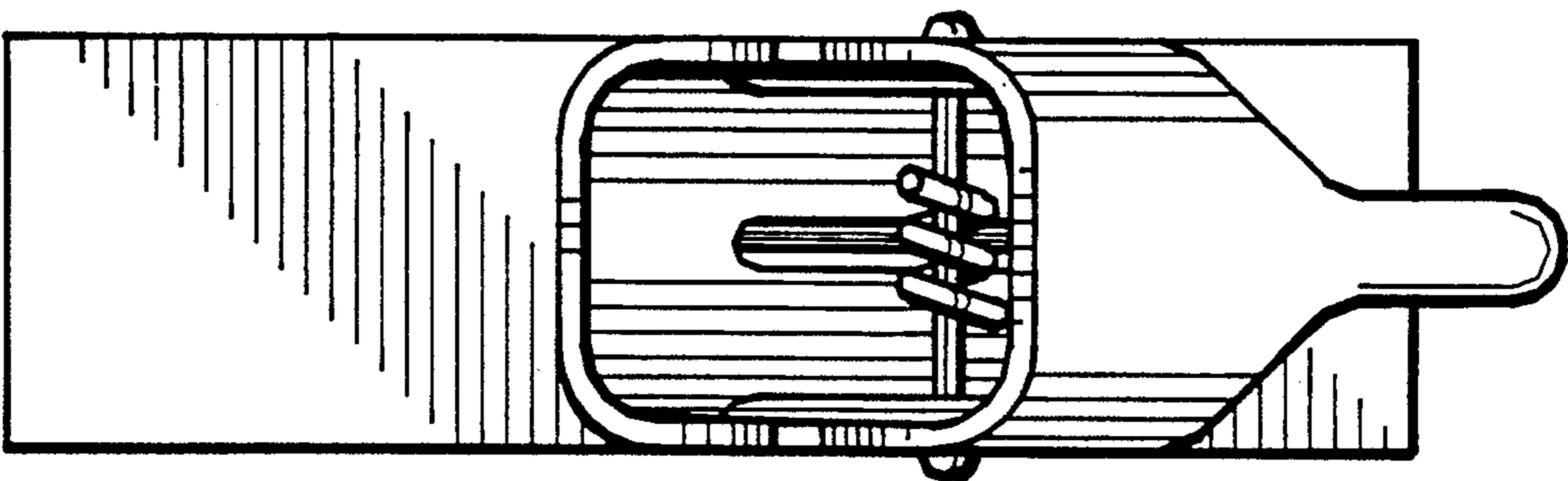


Fig. 6