

[54] VIDEO CAMERA BRACKET

[76] Inventor: Raymond V. Pagano, 2675C Lithonia Industrial Blvd., Lithonia, Ga. 30058

[\*\*] Term: 14 Years

[21] Appl. No.: 142,409

[22] Filed: Jan. 11, 1988

[52] U.S. Cl. .... D8/363; 248/183; D8/373; D8/354; D8/381

[58] Field of Search ..... D8/355, 354, 373, 363, D8/380, 381; D6/429; 248/183, 278

[56] References Cited

U.S. PATENT DOCUMENTS

D. 204,057	3/1966	Logan et al. ....	D8/363
D. 229,480	12/1973	Brushabor .....	D8/355
D. 247,738	4/1978	Rynearson .....	D8/354
D. 251,045	2/1979	Grube .....	D8/363
D. 275,431	9/1984	Usab .....	D8/373
D. 289,494	4/1987	Rice .....	D8/381
3,104,122	9/1963	Daniels .....	D8/363 X
3,405,587	10/1968	Meazzi et al. ....	D6/429 X
4,247,069	1/1981	Kurz .....	248/183 X
4,458,868	7/1984	Hess .....	248/183
4,890,599	1/1990	Eiden .....	248/183 X

Primary Examiner—Horace B. Fay, Jr.  
Attorney, Agent, or Firm—James B. Middleton

[57] CLAIM

The ornamental design for a video camera bracket, as shown and described.

DESCRIPTION

FIG. 1 is a right side elevational view of a video camera bracket showing my new design, the left side elevational view being a mirror image;

FIGS. 2 and 3 are respectively front and rear elevational views thereof;

FIGS. 4 and 5 are respectively top and bottom plan views thereof taken on the lines 4—4 and 5—5 in FIG. 1;

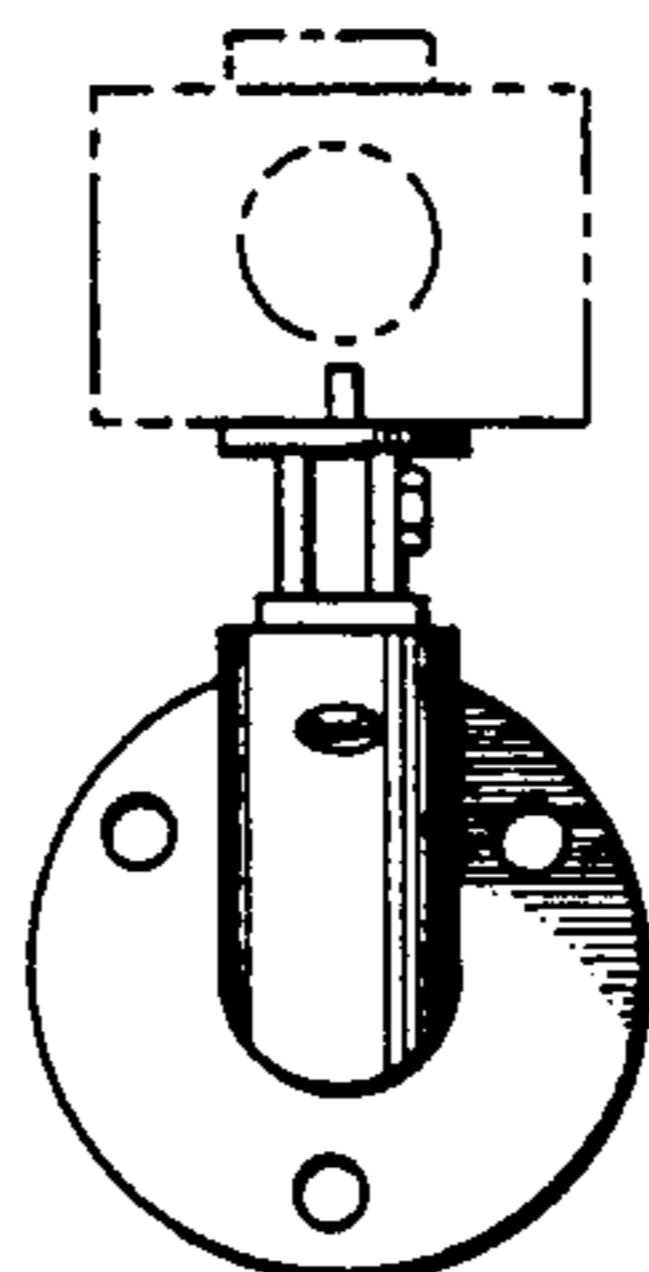
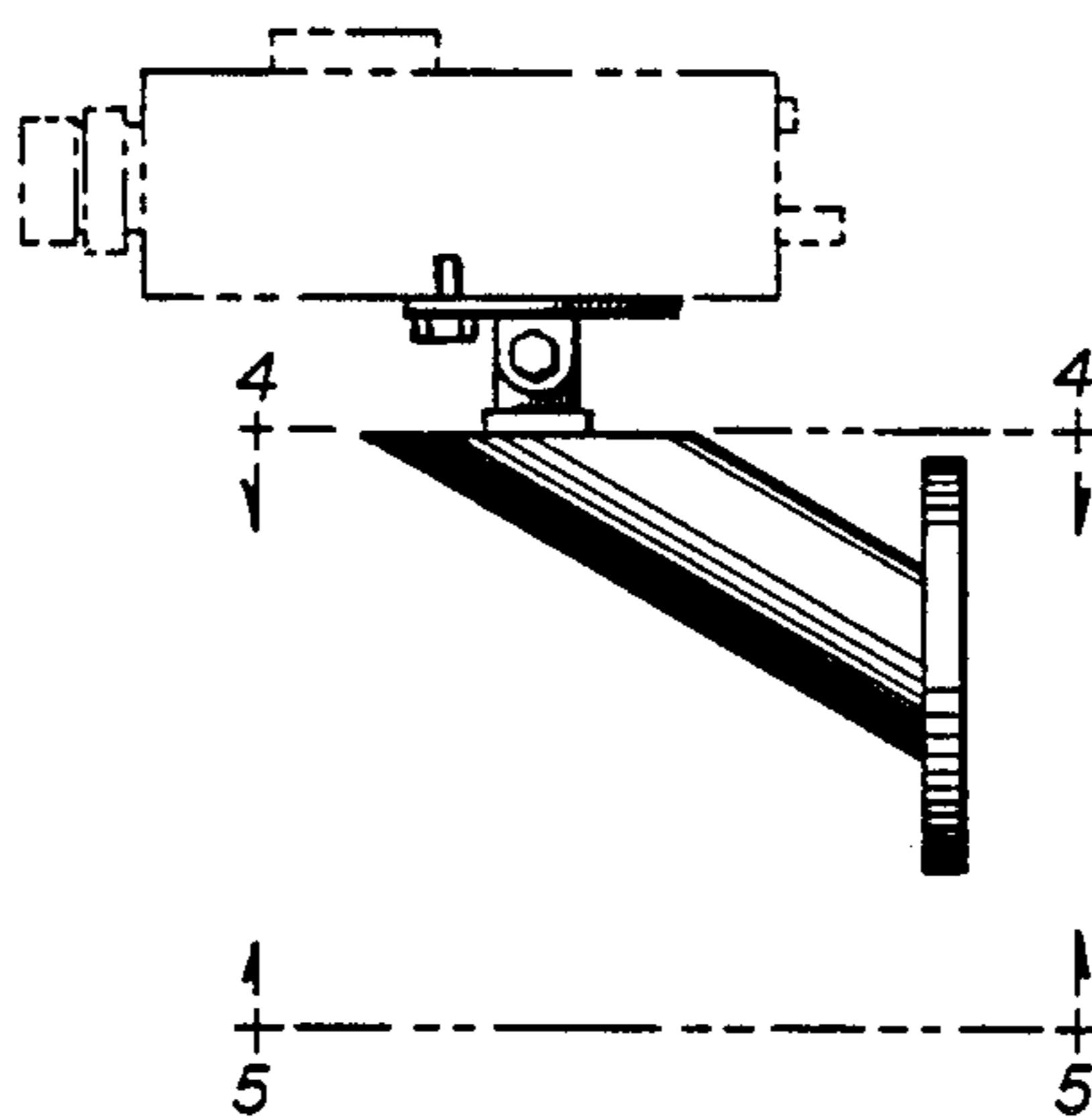
FIG. 6 is a left side elevational view of a second embodiment thereof, the opposite side being a mirror image, the only difference in this embodiment, compared to the first embodiment, is in the length of the tubular bracket element;

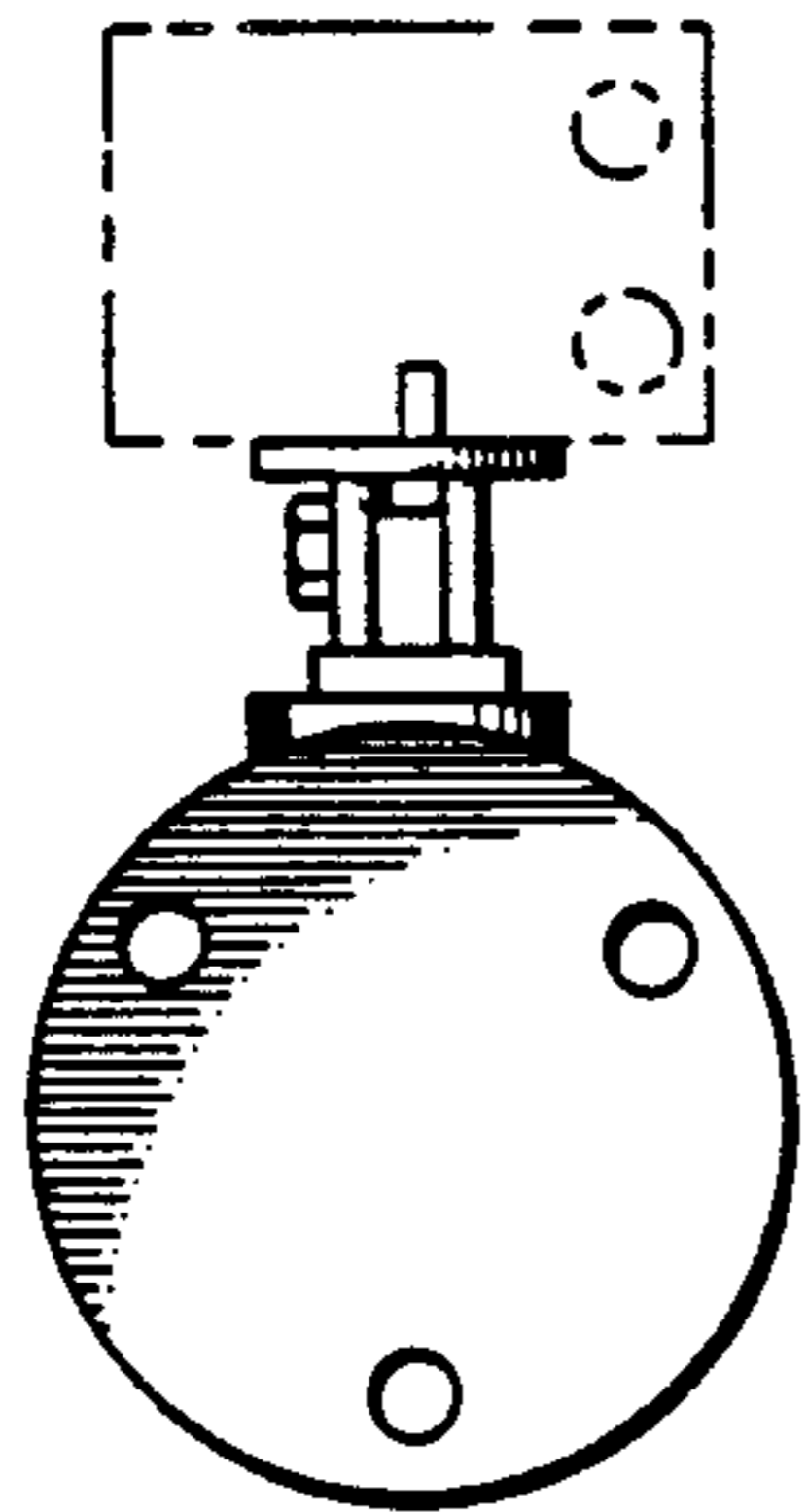
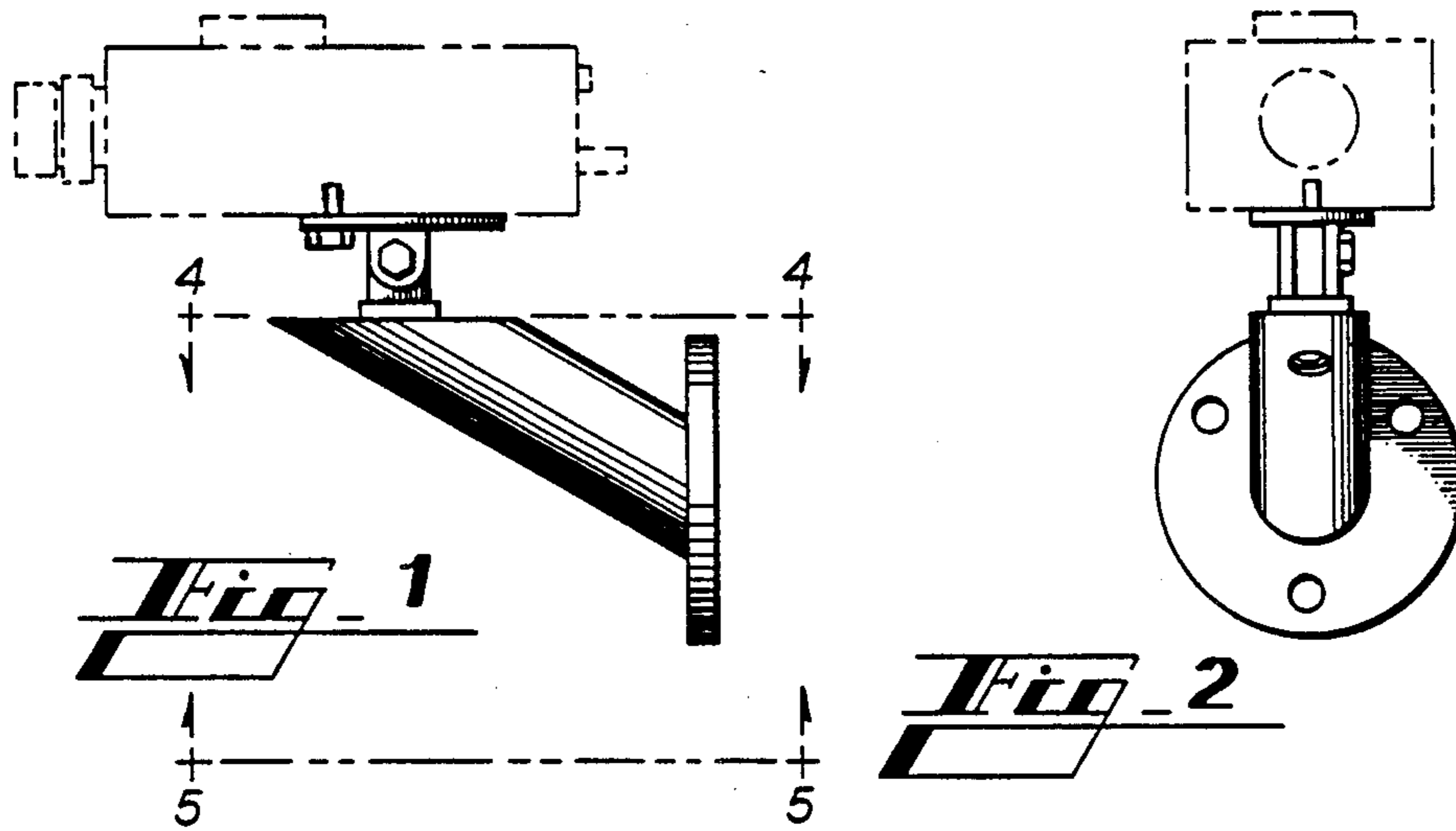
FIG. 7 is a front elevational view thereof, the rear elevational view being a mirror image;

FIG. 8 is a side elevational view of a third embodiment thereof, the opposite side being a mirror image, the sole difference being the suspension of the tubular bracket from an upper horizontal surface;

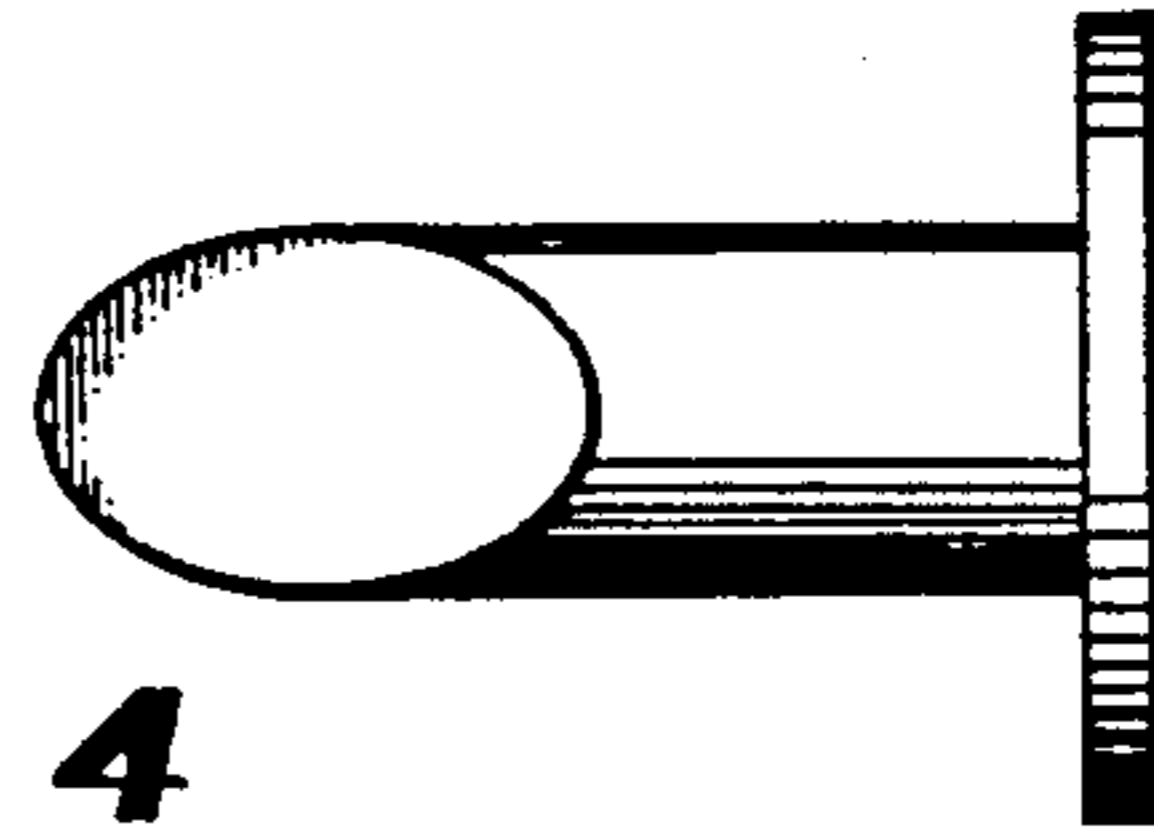
FIGS. 9 and 10 are respectively front and rear elevational views thereof; and

FIGS. 11 and 12 are respectively top and bottom views thereof taken on the lines 11—11 and 12—12 in FIG. 9. The broken line showing of a video camera is for illustrative purposes only and forms no part of the claimed design.



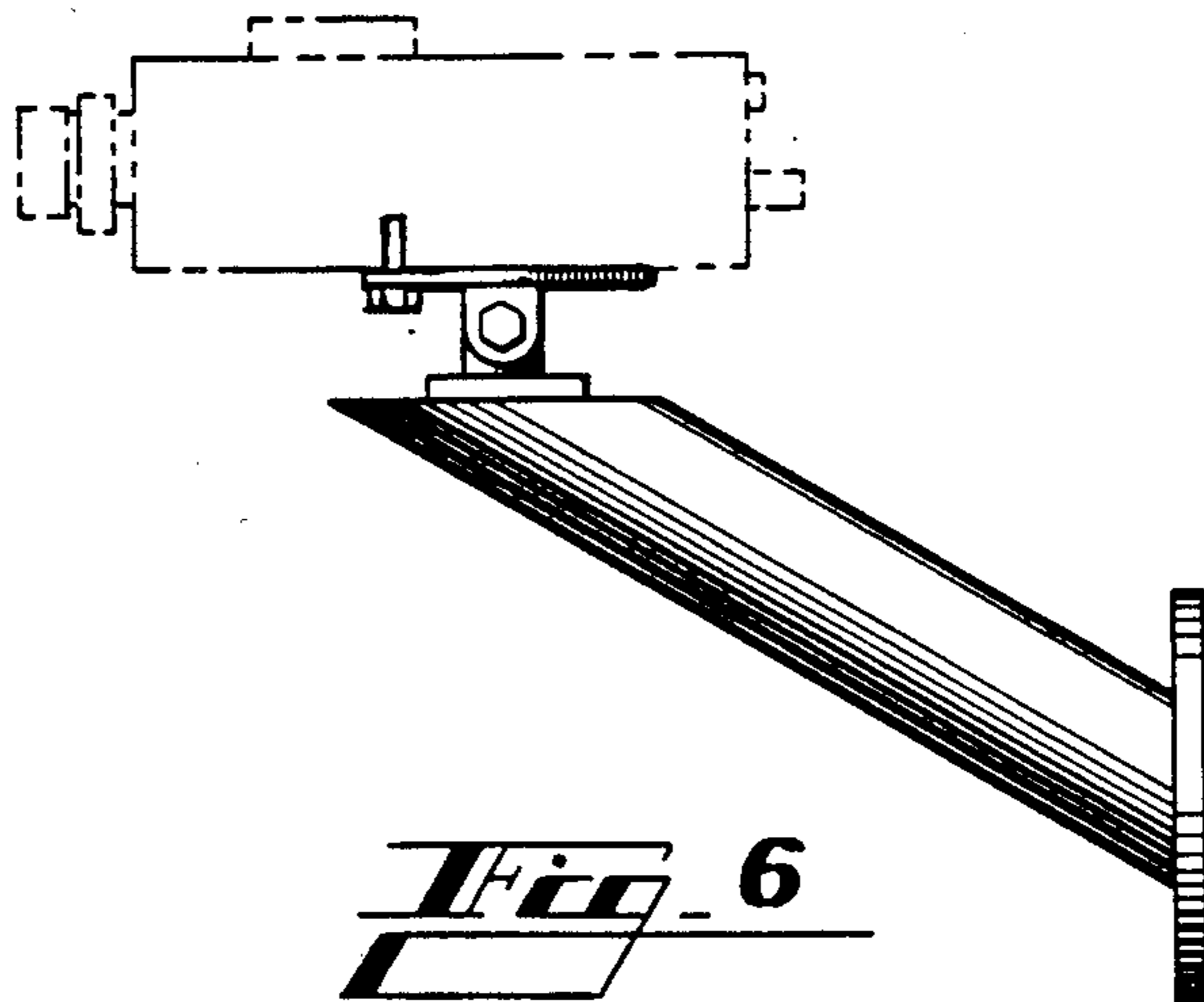
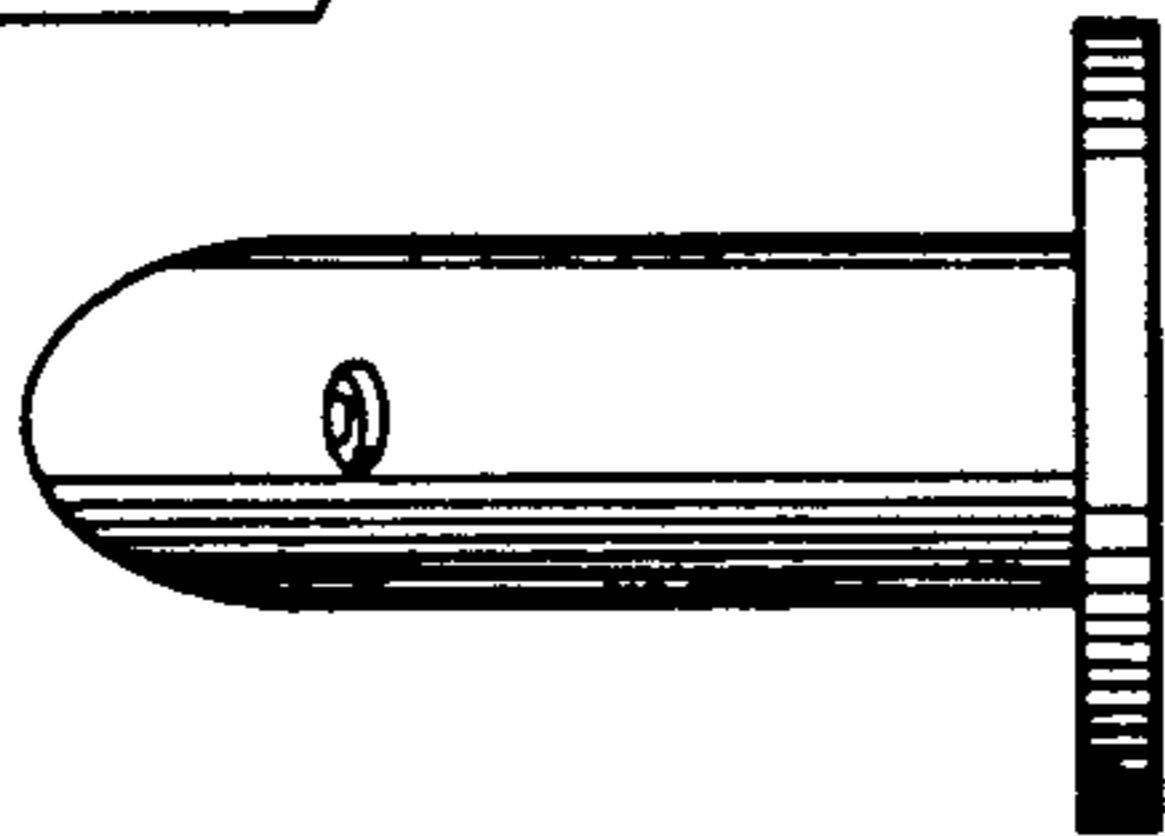


*Fig. 3*



*Fig. 4*

*Fig. 5*



*Fig. 6*

