

[54] **HANDLE FOR A HAND TOOL**
[75] **Inventor: Robert A. Germain, Ashtabula, Ohio**
[73] **Assignee: Emhart Industries, Inc., Towson, Md.**
[**] **Term: 14 Years**
[21] **Appl. No.: 146,146**
[22] **Filed: Jan. 19, 1988**
[52] **U.S. Cl. D8/107**
[58] **Field of Search D8/14, 42, 51, 85, 107, D8/303; 29/229; 81/15.7; 220/96; 254/25; 294/26**

3,052,970 9/1962 Perrin 29/229
3,913,423 10/1975 Gerst D8/14 X
3,972,104 8/1976 Partin et al. D8/51 X
4,561,271 12/1985 Scharboneau D8/14 X

Primary Examiner—Bruce W. Dunkins
Assistant Examiner—M. Hannon
Attorney, Agent, or Firm—Barry E. Deutsch; J. Bruce Hoofnagle

[57] **CLAIM**

The ornamental design for a handle for a hand tool, as shown and described.

DESCRIPTION

FIG. 1 is a side elevational view of a handle for a hand tool showing my design, the opposite side being a mirror image thereof;
FIG. 2 is an elevational view taken from the right of FIG. 1;
FIG. 3 is an elevational view taken from the left side of FIG. 1;
FIG. 4 is a top plan view; and
FIG. 5 is a bottom plan view thereof.

[56] **References Cited**
U.S. PATENT DOCUMENTS
D. 192,866 5/1962 Crenshaw D8/303 X
D. 194,834 3/1963 Parker et al. D8/303
D. 227,650 7/1973 Sneddon D8/14
D. 277,729 2/1985 Maxwell D8/14
D. 282,713 2/1986 Flory et al. D8/107 X

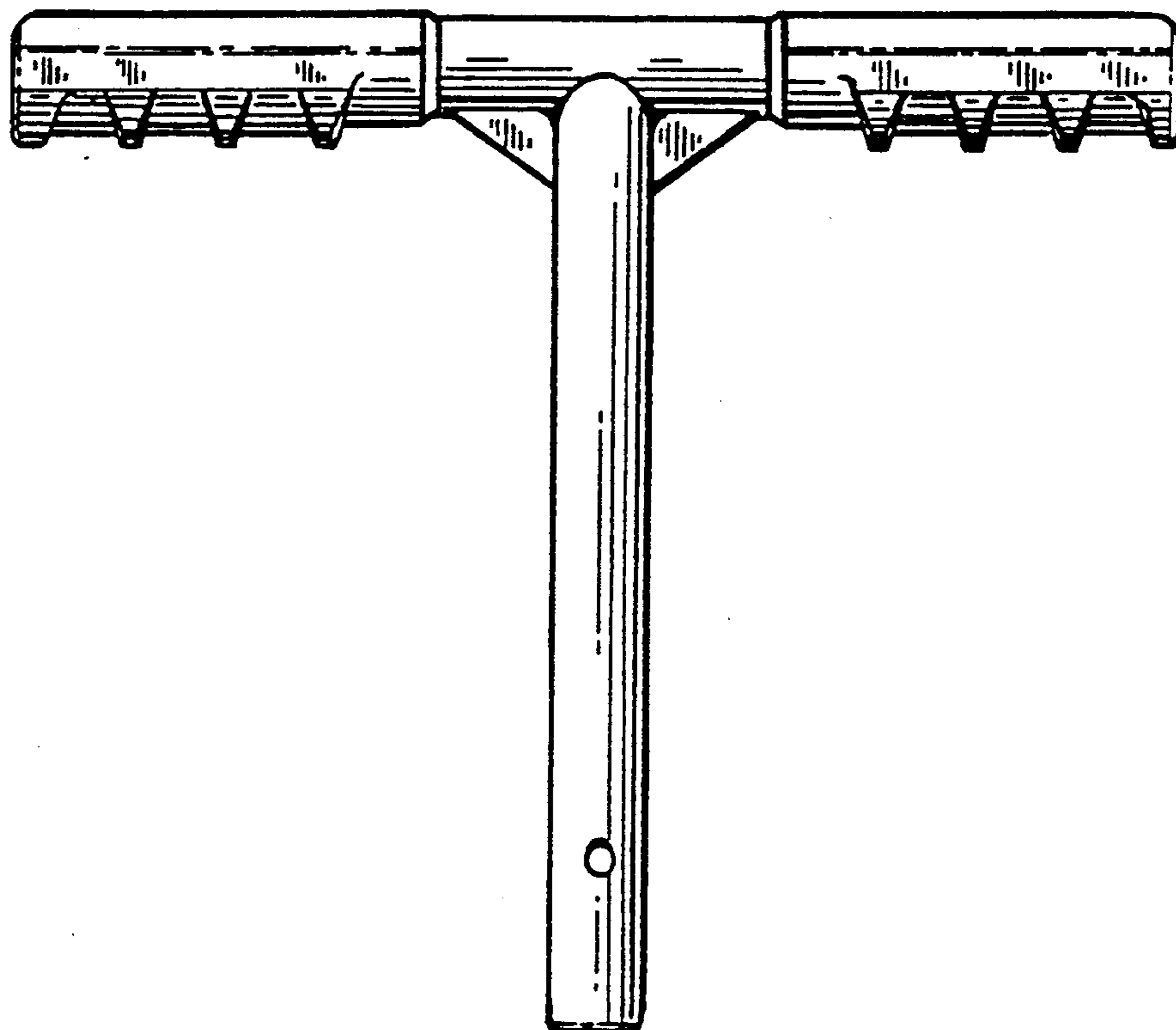


Fig. A

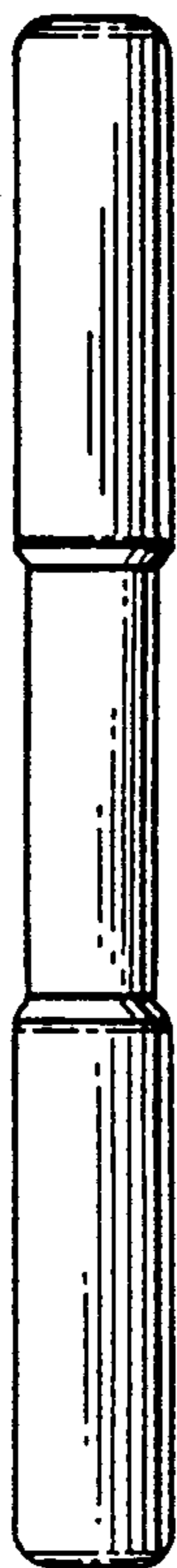


Fig. B

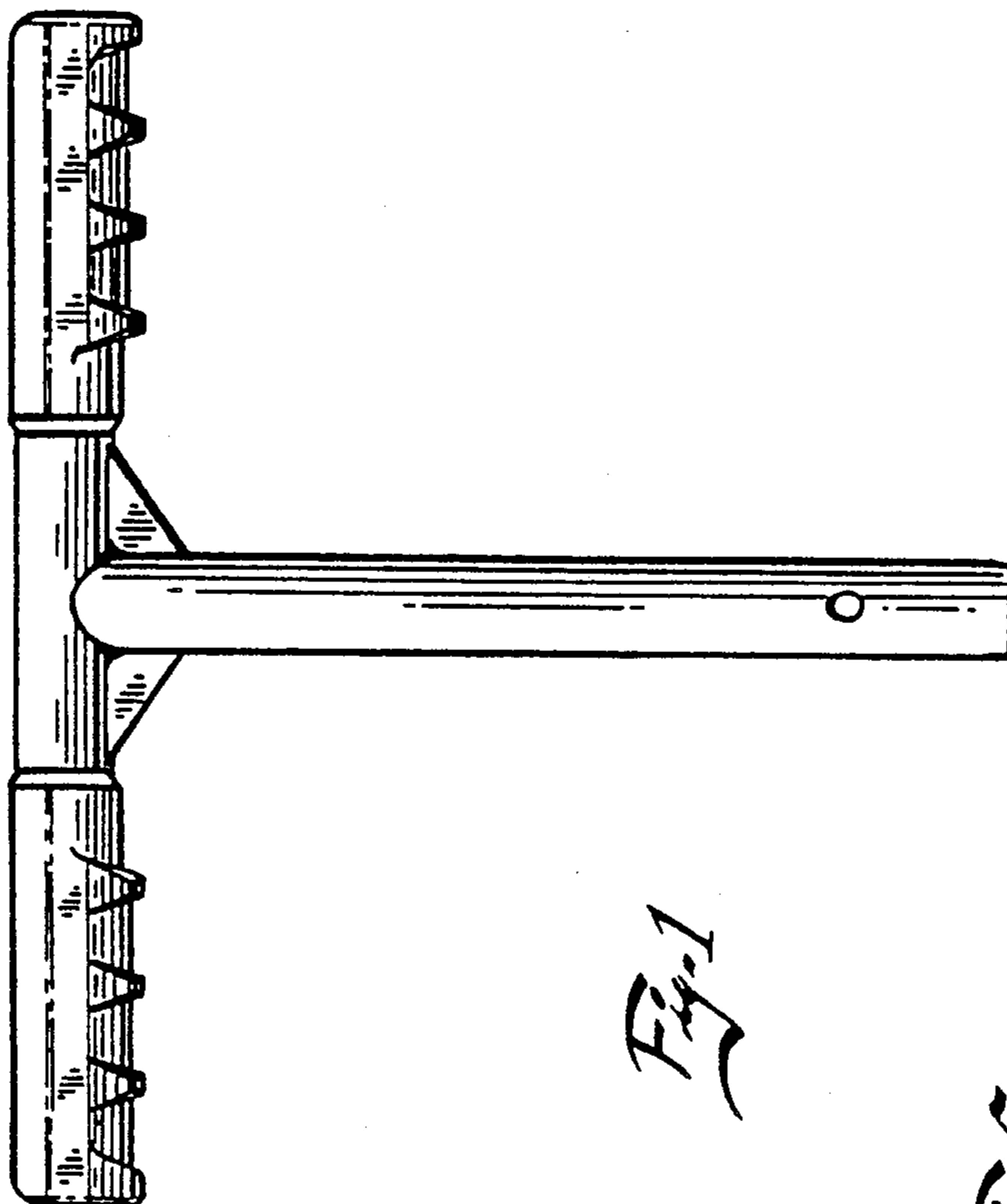
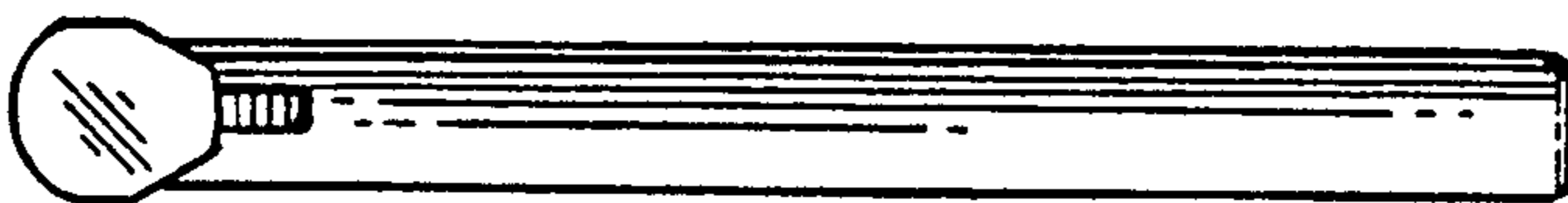


Fig. 1

Fig. 2

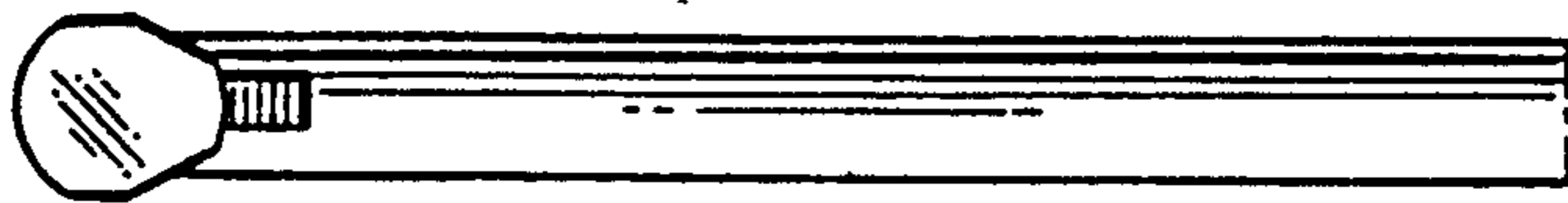


Fig. 5

