

[54] COMBINED SKI SHARPENER AND BRUSH

[76] Inventor: Frederick R. Sherman, 525 Willard, Pocatello, Id. 83201

[**] Term: 14 Years

[21] Appl. No.: 105,692

[22] Filed: Oct. 8, 1987

[52] U.S. Cl. D8/91; D8/90; D8/94

[58] Field of Search D8/90-93, D8/51; 51/391, 392, 370, 371, 364, 365, 173, 205 WG, 211 H, 214; 76/82, 85, 83; 29/78-90

[56] References Cited

U.S. PATENT DOCUMENTS

D. 120,678	5/1940	Parker	D8/51
D. 219,726	1/1971	Van Horn	D8/91
D. 248,210	6/1978	Dill	D8/91
D. 285,042	8/1986	Sparks	D8/91
D. 288,657	3/1987	Lindon	D8/93
D. 295,142	4/1988	Patrick	D8/91
D. 297,209	8/1988	Cohen	D8/91

573,364	12/1896	Simonds	51/371
2,635,397	4/1953	Baron	51/205 WG
3,436,870	4/1969	Sellman	D8/91 X
3,899,942	8/1975	Bradbury	D8/91 X
4,346,496	8/1982	Murray	51/392

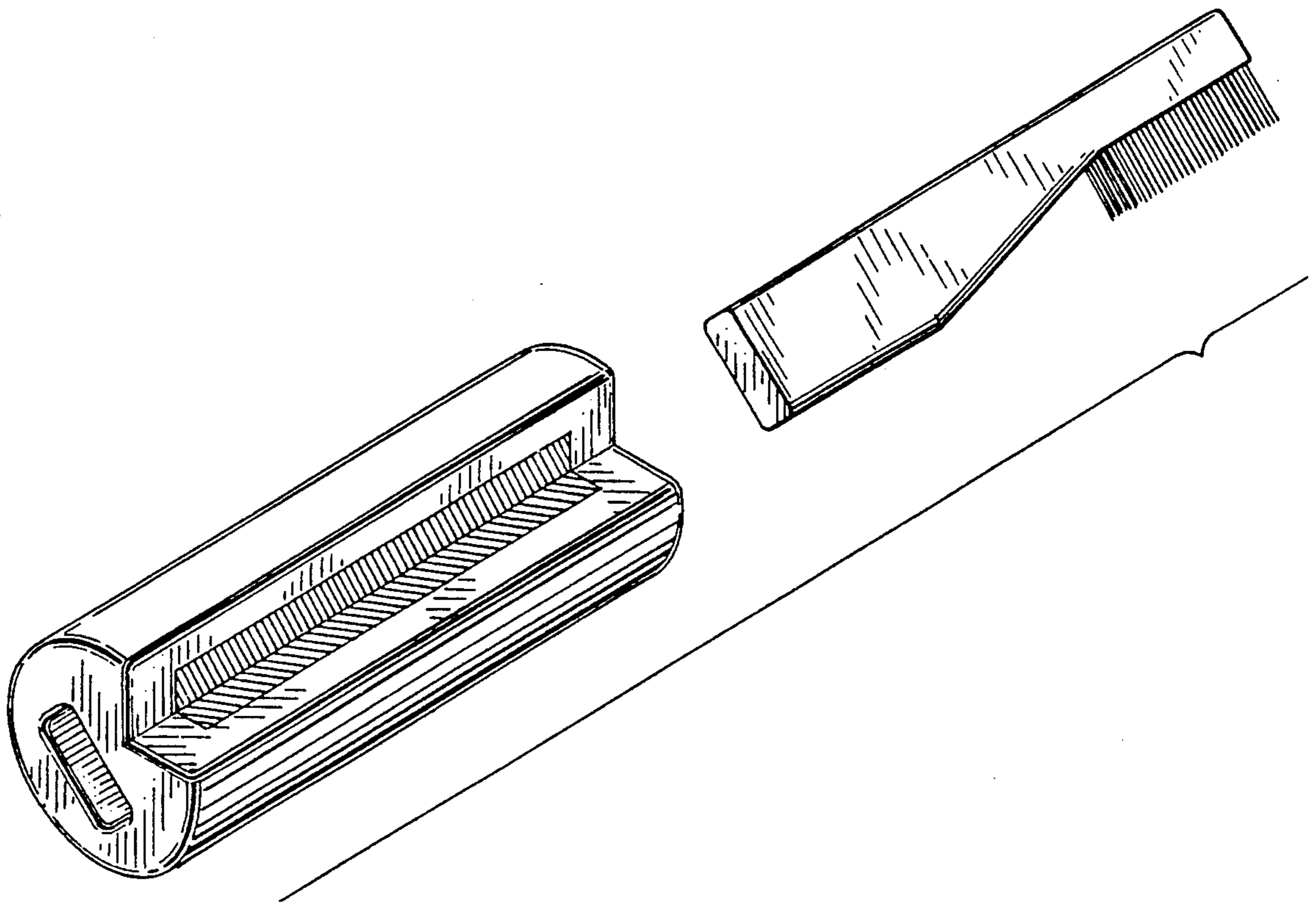
Primary Examiner—Bruce W. Dunkins
Assistant Examiner—Martha Thompson
Attorney, Agent, or Firm—Brady, O'Boyle & Gates

[57] CLAIM

The ornamental design for a combined ski sharpener and brush, as shown and described.

DESCRIPTION

FIG. 1 is a left, front perspective view of a combined ski sharpener and brush showing my new design, with the brush member in a housed position;
FIG. 2 is a bottom plan view thereof;
FIG. 3 is a rear elevational view thereof;
FIG. 4 is a right, rear perspective view in an exploded condition; and
FIG. 5 is an end elevational view of the end opposite that shown in FIG. 4.



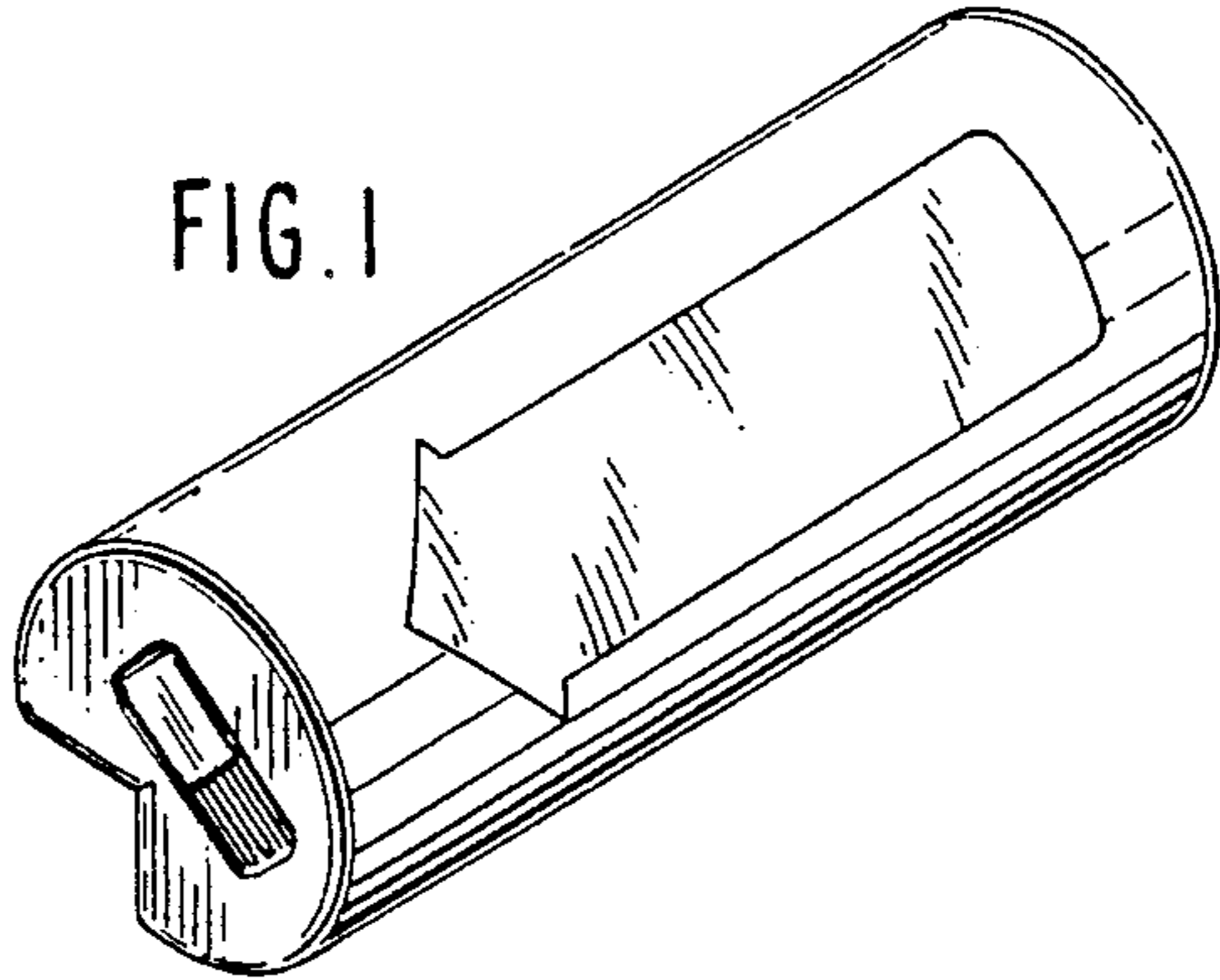


FIG. 2

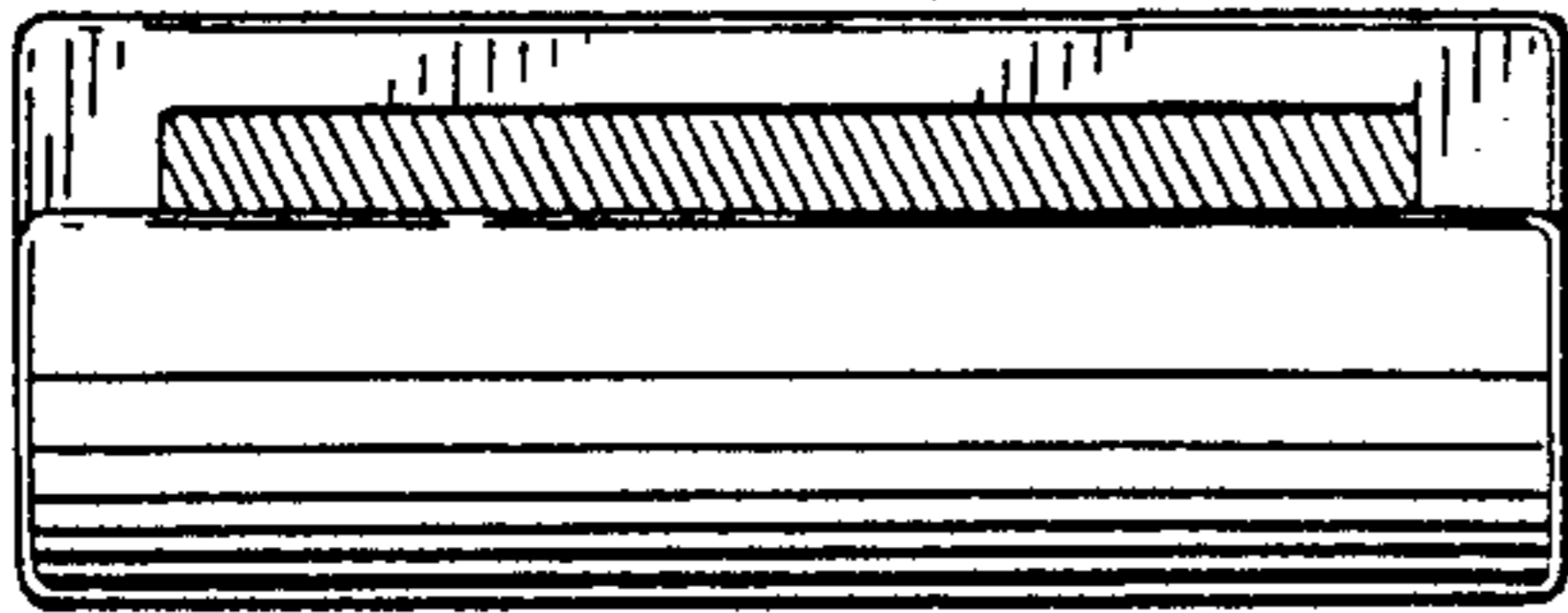


FIG. 3

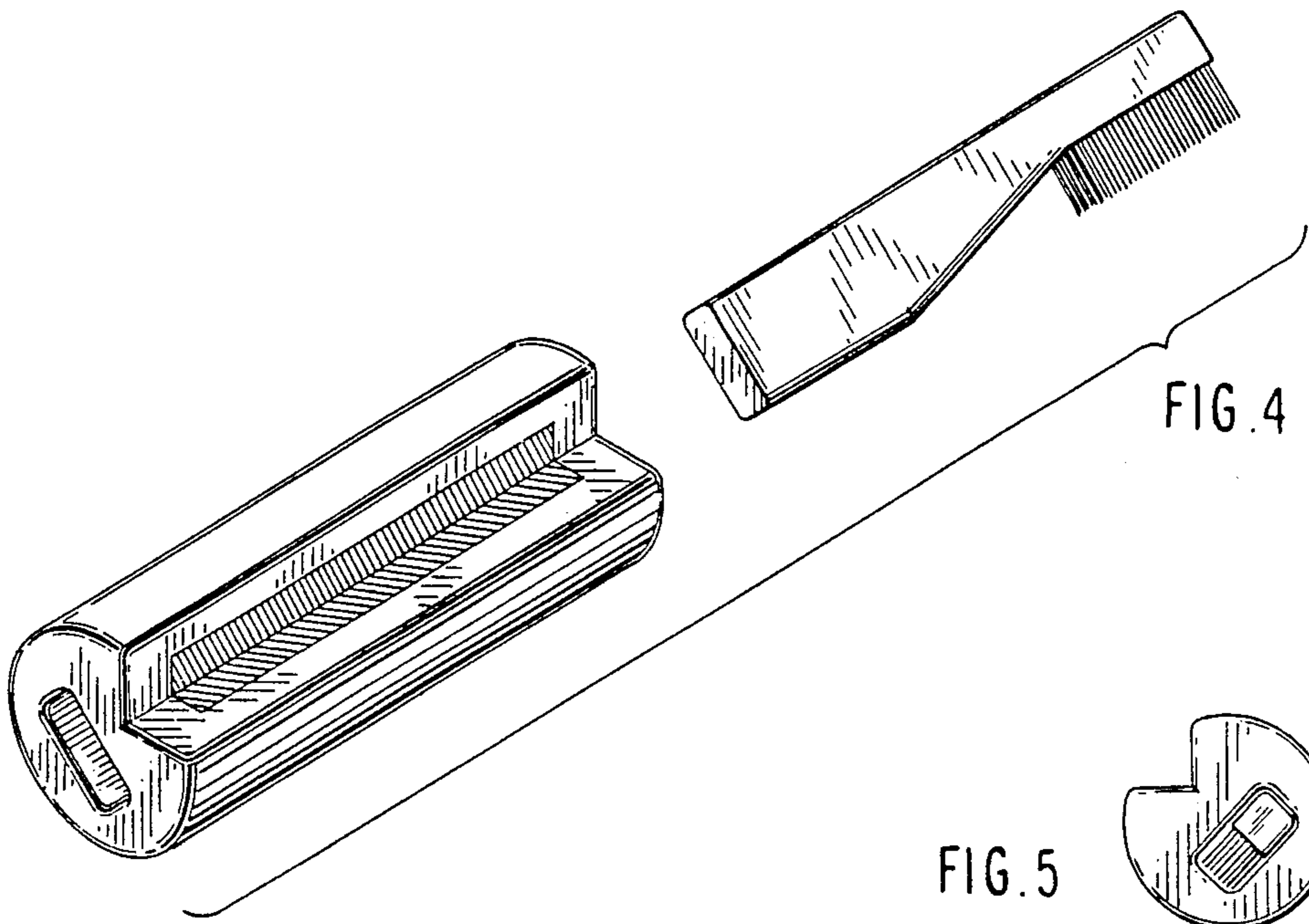
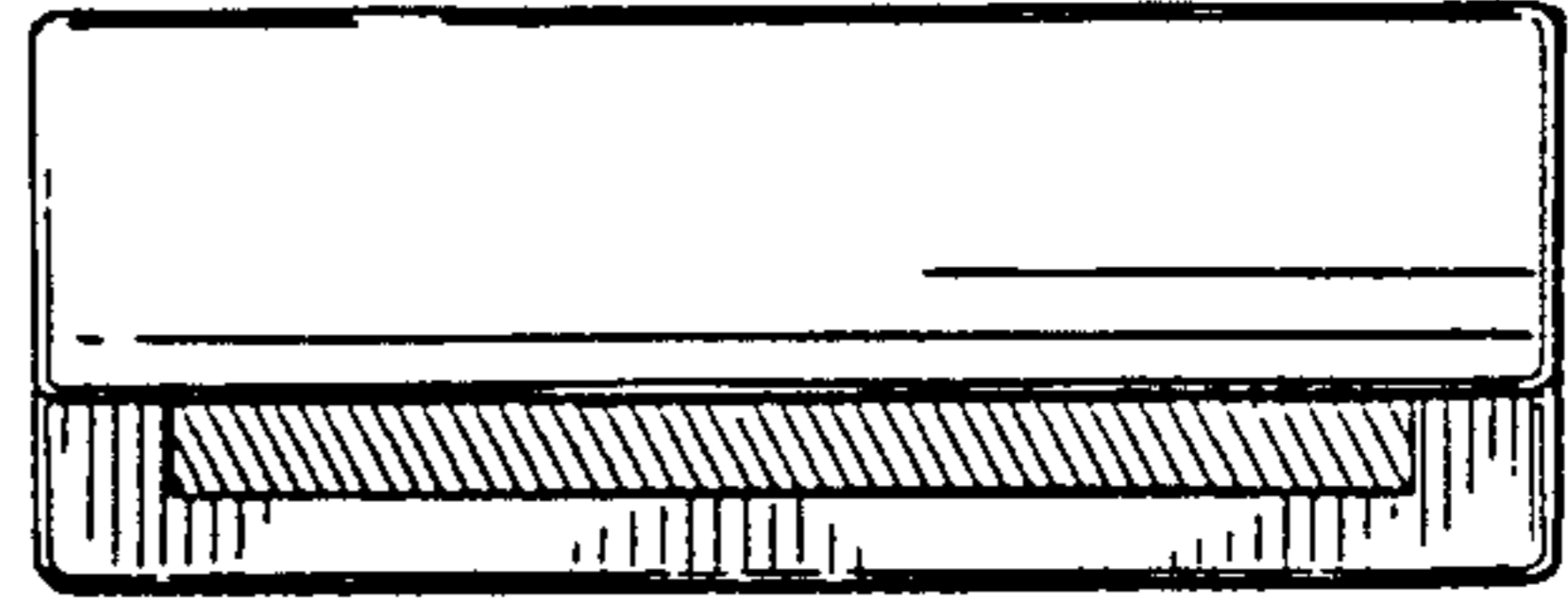


FIG. 5

