

[54] ELECTRIC MIXER

D. 271,176 11/1983 Zimnowicz D7/379

[75] Inventors: Gary Van Deursen, Upper Saddle River, N.J.; Alvaro Correa, Cheshire, Conn.

OTHER PUBLICATIONS

W. Bell & Co. Catalog, 1985, p. 375, Item #1 Moulinex/Regal Immersion Blender-center and r. panels.

[73] Assignee: Black & Decker, Inc., Newark, Del.

Primary Examiner—Winifred E. Herrmann
Attorney, Agent, or Firm—Barry E. Deutsch

[**] Term: 14 Years

[57] CLAIM

[21] Appl. No.: 211,415

The ornamental design for an electric mixer, as shown and described.

[22] Filed: Jun. 27, 1988

[52] U.S. Cl. D7/379

[58] Field of Search D7/378, 372, 376, 374, D7/51, 309, 412-415, 379, 377; 241/169.1; 366/129

DESCRIPTION

FIG. 1 is a side elevational view of an electric mixer showing our new design, the side opposite being a mirror image;

[56] References Cited

U.S. PATENT DOCUMENTS

- D. 156,931 1/1950 Andresen D7/379
- D. 206,388 12/1966 Clemente D7/379 X

FIG. 2 is a front elevational view;

FIG. 3 is a rear elevational view;

FIG. 4 is a top plan view; and

FIG. 5 is a bottom plan view thereof.

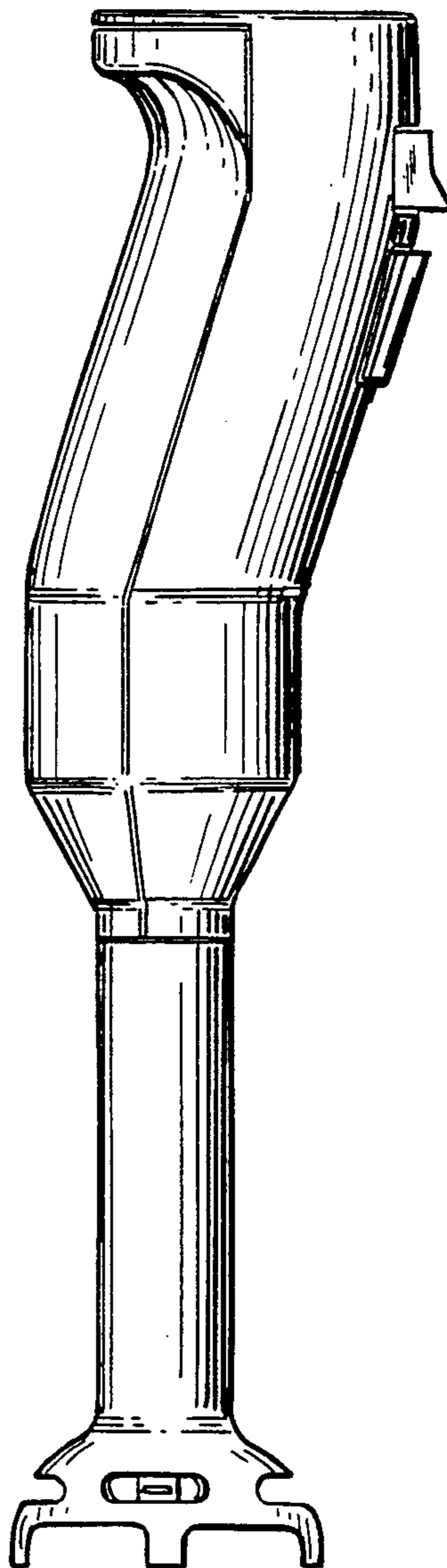


FIG. 1

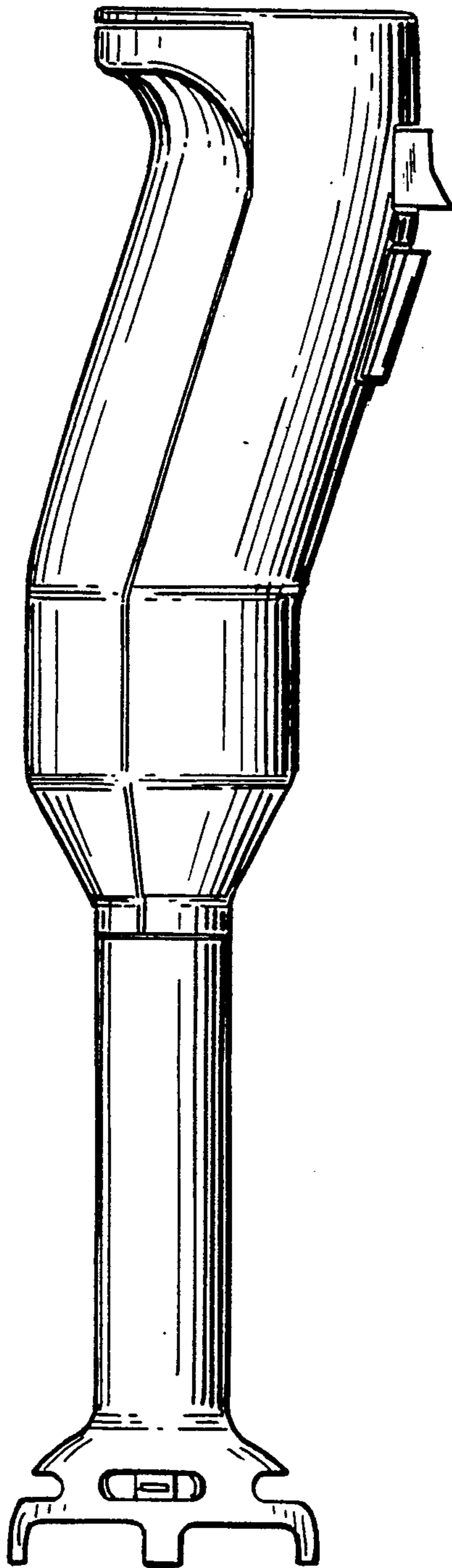


FIG. 2

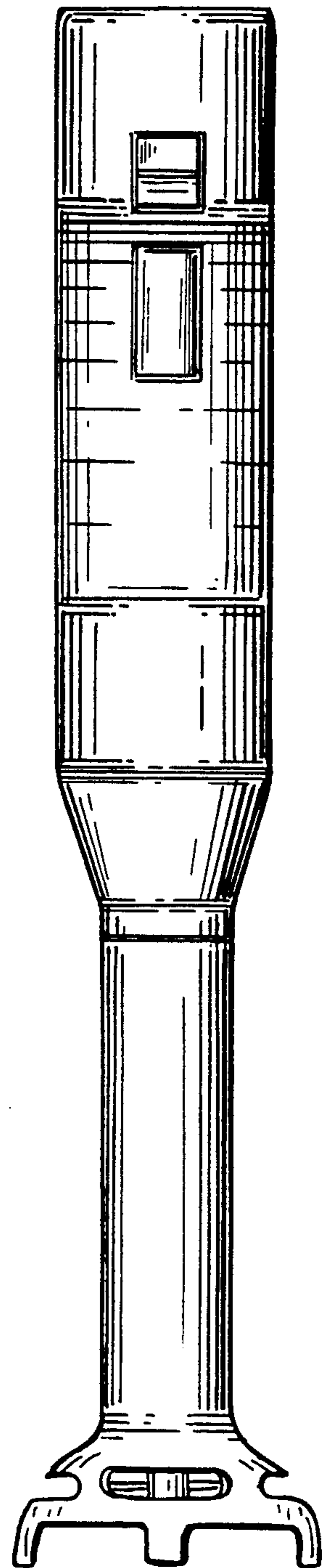


FIG. 3

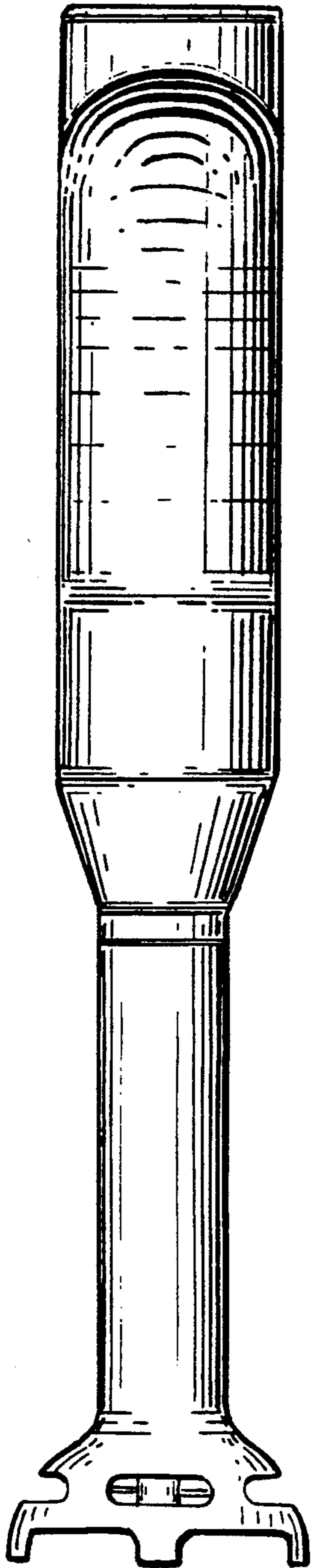


FIG. 4

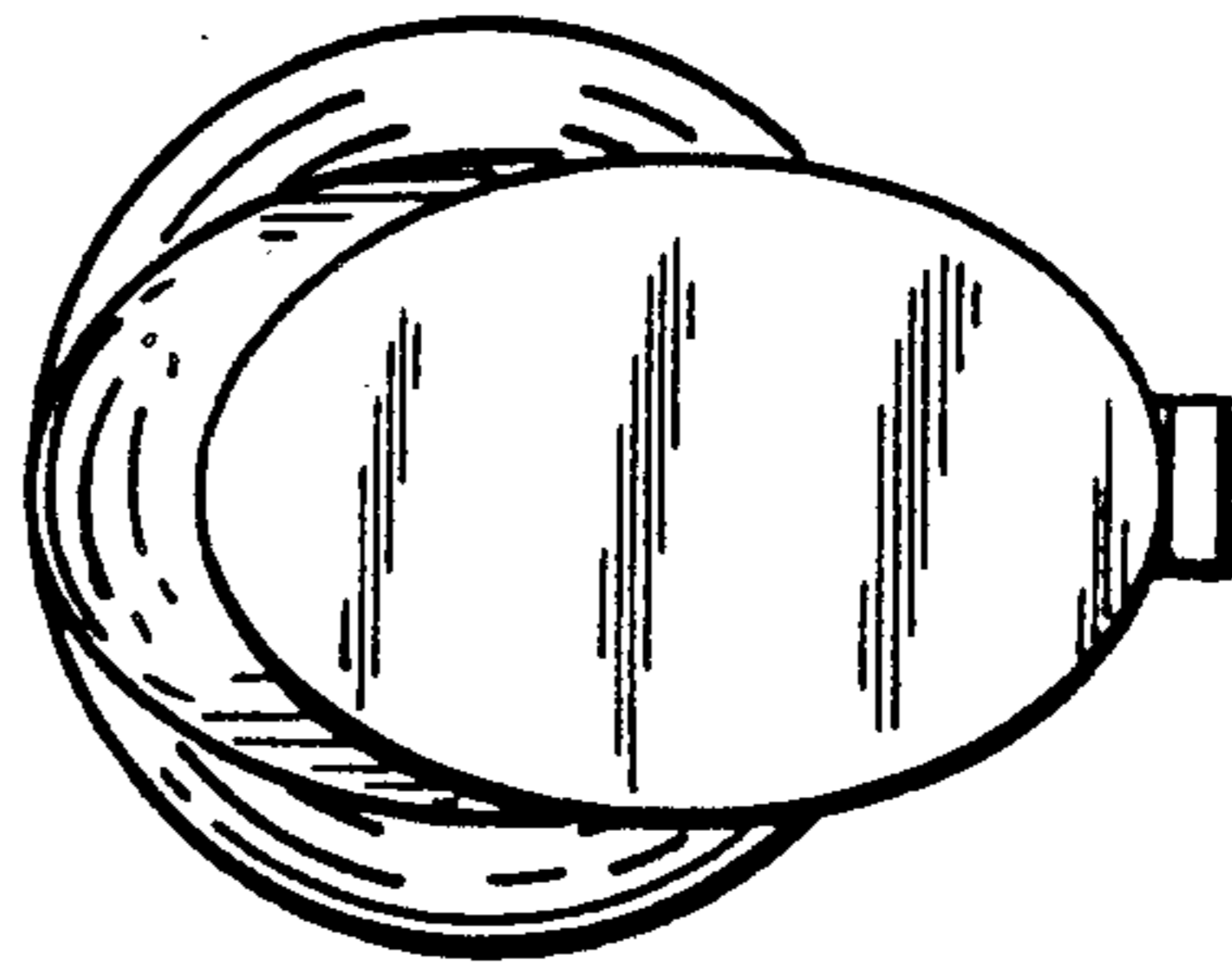


FIG. 5

