

[54] SHELF FOR AN AUTOMOBILE SPRAY
PAINT BOOTH OR THE LIKE

1,226,231 5/1917 Mack 211/88
3,269,550 8/1966 Marcus 211/87

[76] Inventor: Edward Day, 556 Broughton Ave.,
Bloomfield, Essex County, N.J. .
07003

Primary Examiner—Wallace R. Burke
Assistant Examiner—Brian N. Vinson
Attorney, Agent, or Firm—Anthony F. Cuoco

[**] Term: 14 Years

[57] CLAIM

[21] Appl. No.: 322,702

The ornamental design for a shelf for an automobile
spray paint booth or the like, as shown and described.

[22] Filed: Mar. 13, 1989

DESCRIPTION

[52] U.S. Cl. D6/555; D6/574

[58] Field of Search D6/512, 553, 555, 567,
D6/574; 108/1, 28, 115, 120, 149; 211/71,
86-88, 90, 99, 126, 134, 186, 149, 189

FIG. 1 is a top, front, and right side perspective view of
a shelf for an automobile spray paint booth or the like
showing my new design;

FIG. 2 is a top, front, and right side perspective view
thereof, with the shelf shown in its folded position;

FIG. 3 is a bottom plan view thereof;

FIG. 4 is a right side elevational view thereof; the left
side being a mirror image of that shown, and

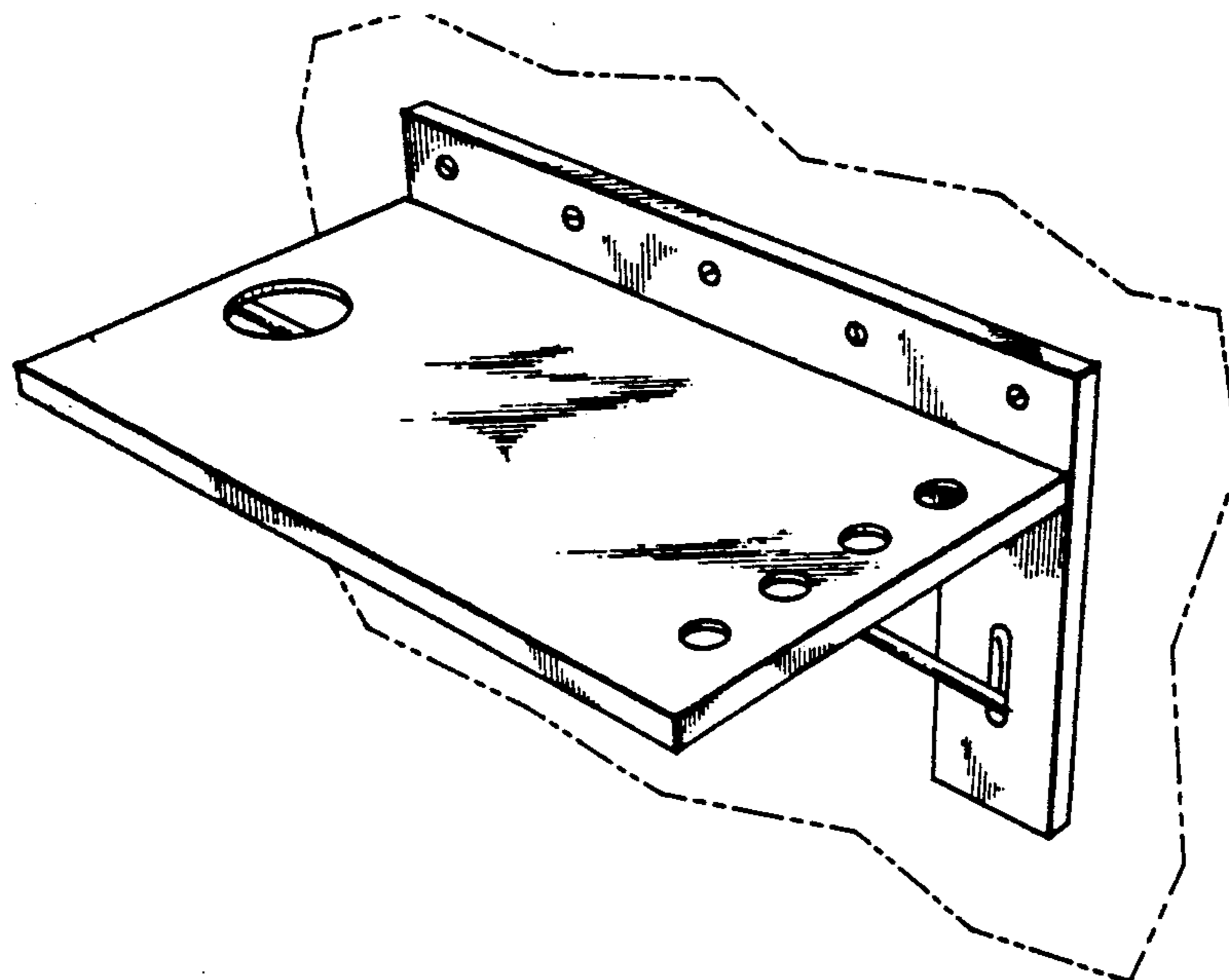
FIG. 5 is a front elevational view thereof.

The broken-line depiction of a portion of a wall surface
in the views is for illustrative purposes only and forms
no part of the claimed design.

[56] References Cited

U.S. PATENT DOCUMENTS

D. 218,161	7/1970	Kadison	D6/572
D. 260,830	9/1981	Trouba	D6/552
D. 260,832	9/1981	Verdesca et al.	D6/572
D. 277,149	1/1985	Hind	D6/574
D. 294,548	3/1988	Wallace	D6/567



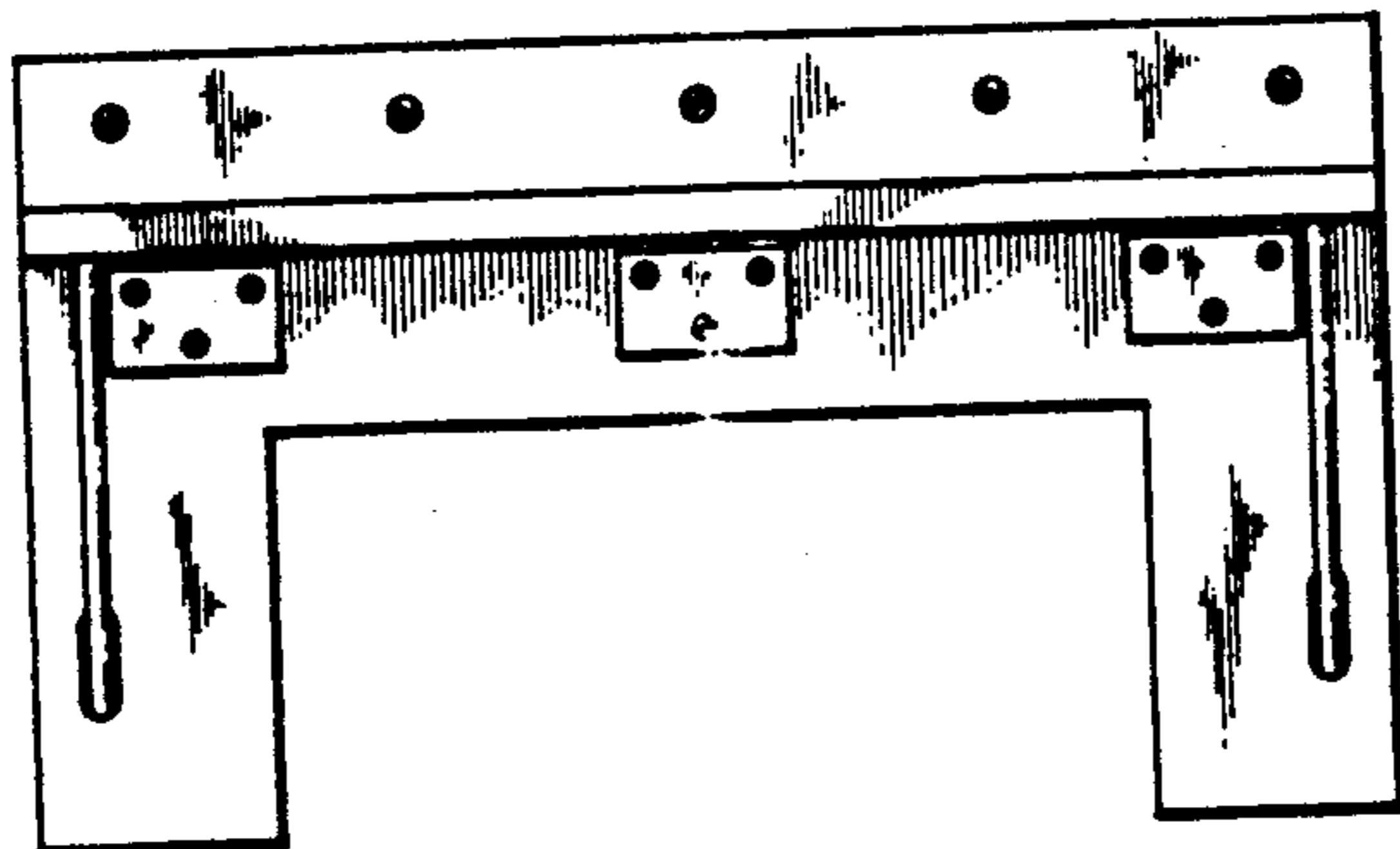
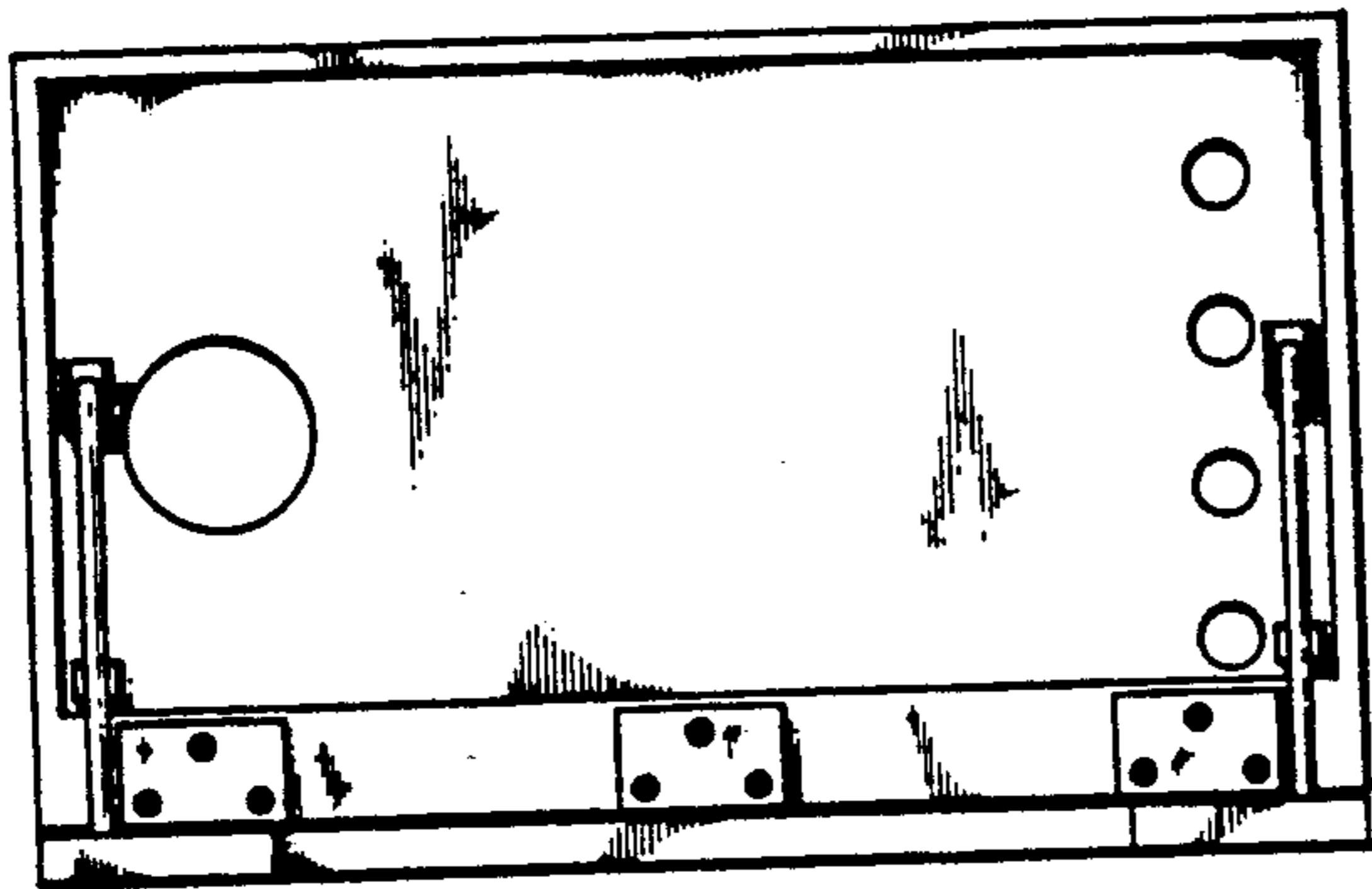
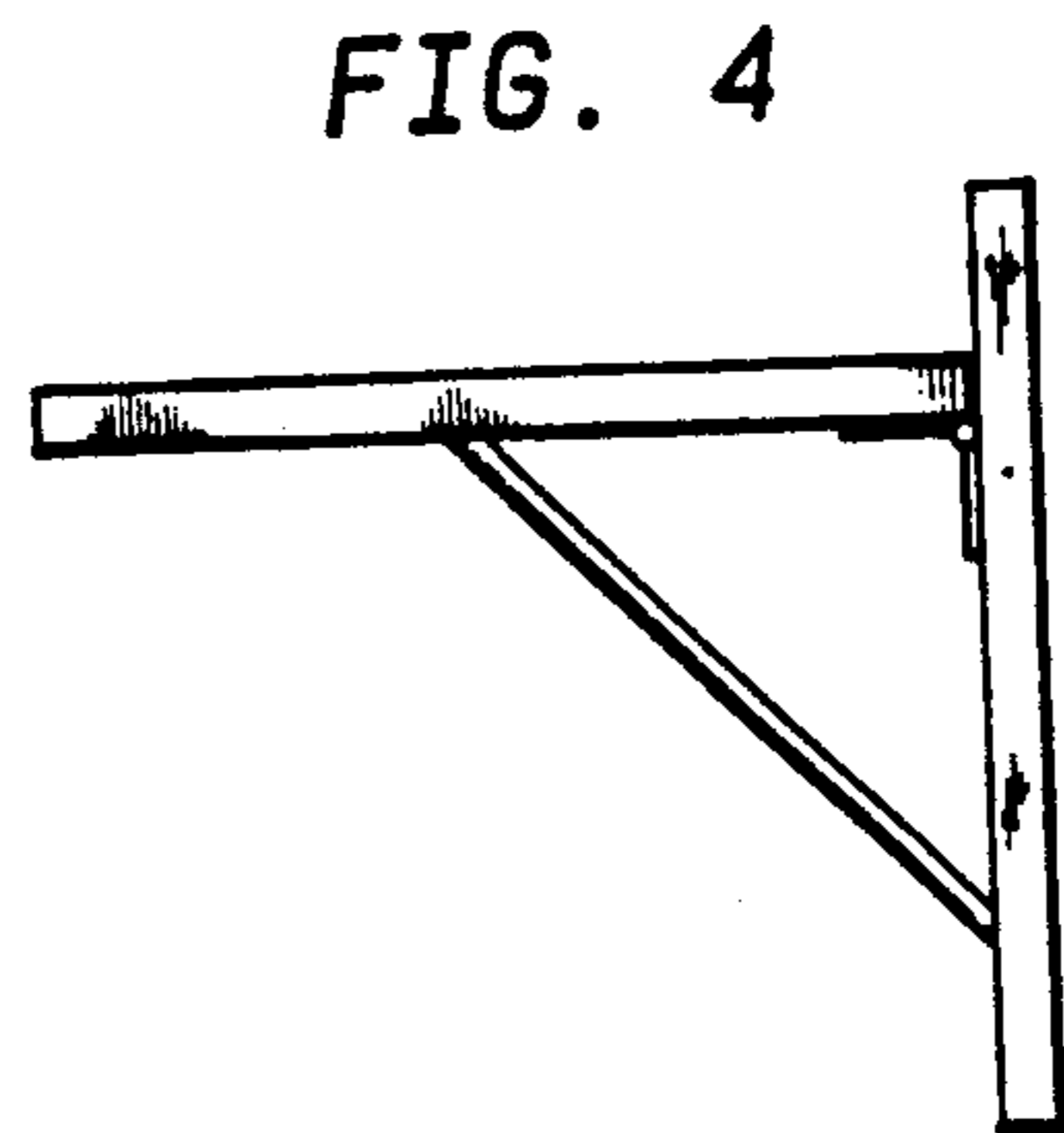
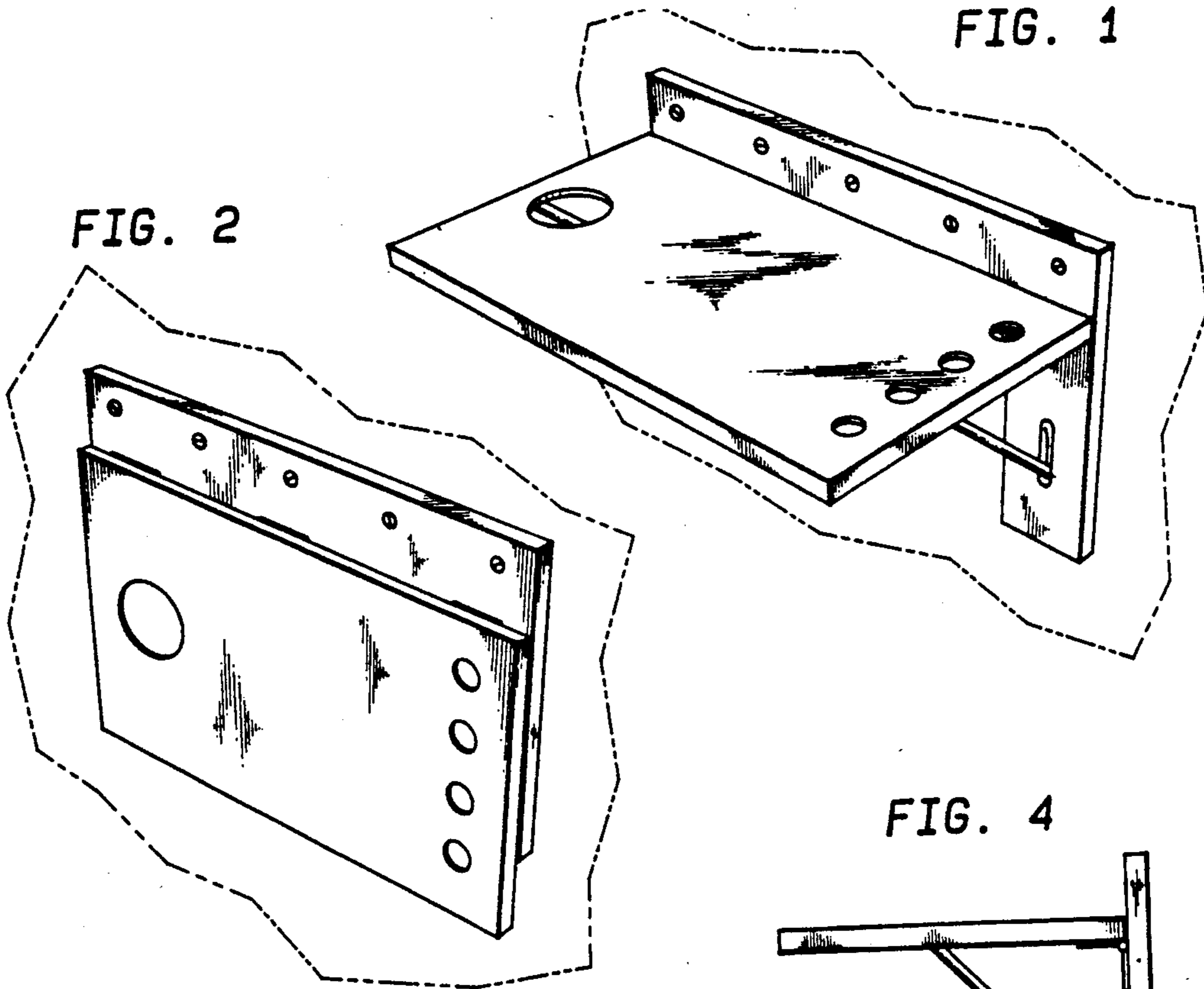


FIG. 3

FIG. 5