

[54] DRAWER RUNNER
[75] Inventor: Terence Hardy, Derbyshire, England
[73] Assignee: L.B. Plastics Limited, England
[**] Term: 14 Years
[21] Appl. No.: 114,146
[22] Filed: Oct. 26, 1987
[30] Foreign Application Priority Data
Apr. 28, 1987 [GB] United Kingdom 1041830
[52] U.S. Cl. D6/491
[58] Field of Search D6/491, 492, 494-496,
D6/499-502, 510

[56] References Cited
U.S. PATENT DOCUMENTS
D. 218,321 8/1970 Vanderley D6/510
D. 263,914 4/1982 Litchfield et al. D6/510
D. 264,293 5/1982 Litechfield et al. D6/510
D. 291,636 9/1987 Rechberg D6/510

1,866,464 7/1932 Hallowell et al. 312/330.1 X
3,311,072 3/1967 Pattison 312/330.1 X
3,722,975 3/1973 Taylor 312/330.1 X
4,173,380 11/1979 Düpree 312/330.1
4,703,982 11/1987 Rock et al. 312/330.1

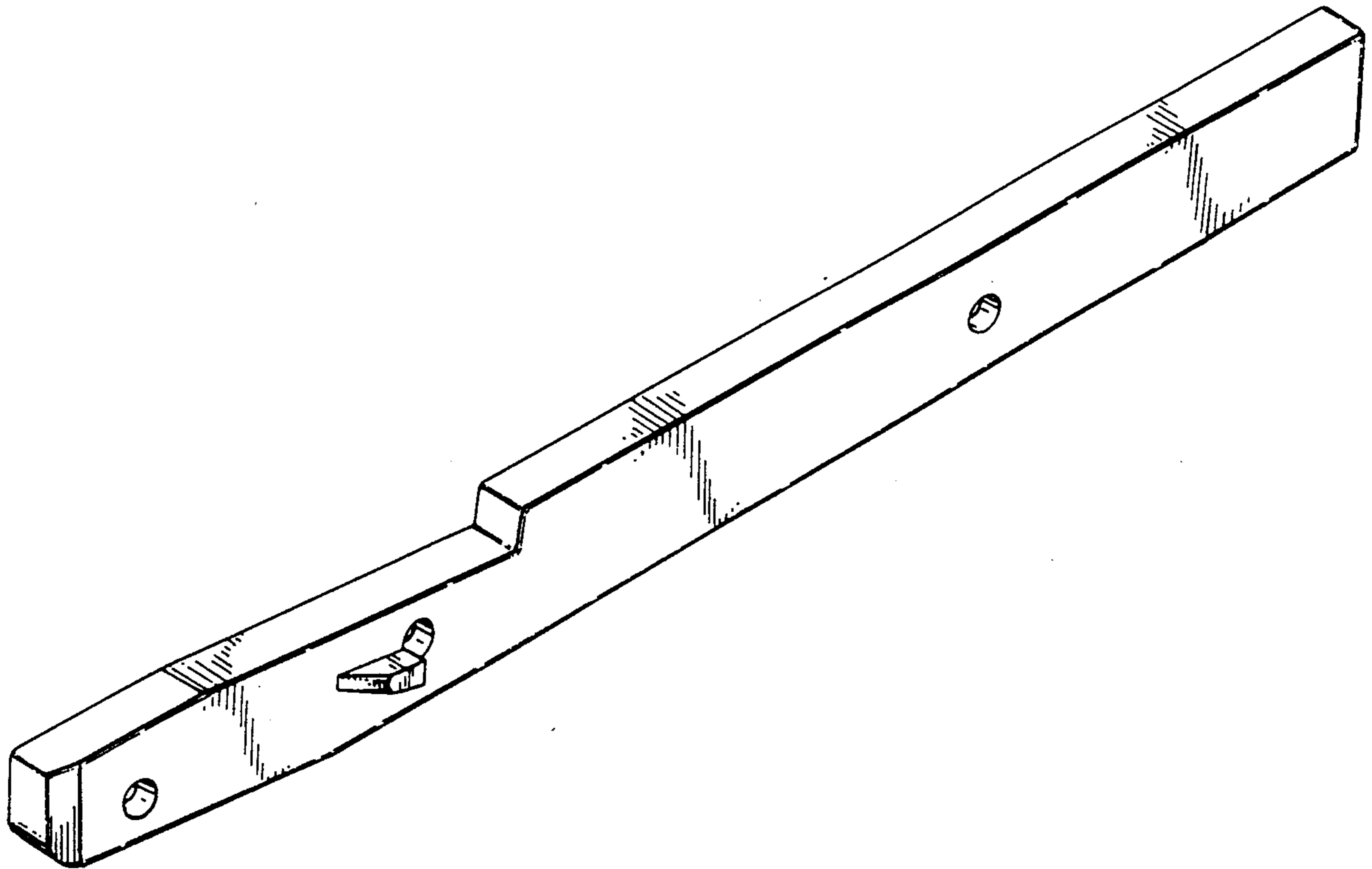
Primary Examiner—Bruce W. Dunkins
Assistant Examiner—Janice E. Seeger
Attorney, Agent, or Firm—W. Thad Adams, III

[57] CLAIM

The ornamental design for a drawer runner, as shown and described.

DESCRIPTION

FIG. 1 is a perspective view of a drawer runner showing my new design;
FIG. 2 is a top plan view;
FIG. 3 is a side elevational view;
FIG. 4 is a bottom plan view;
FIG. 5 is an end elevational view taken from the left in FIG. 3; and
FIG. 6 is an elevational view, taken from the right in FIG. 3.



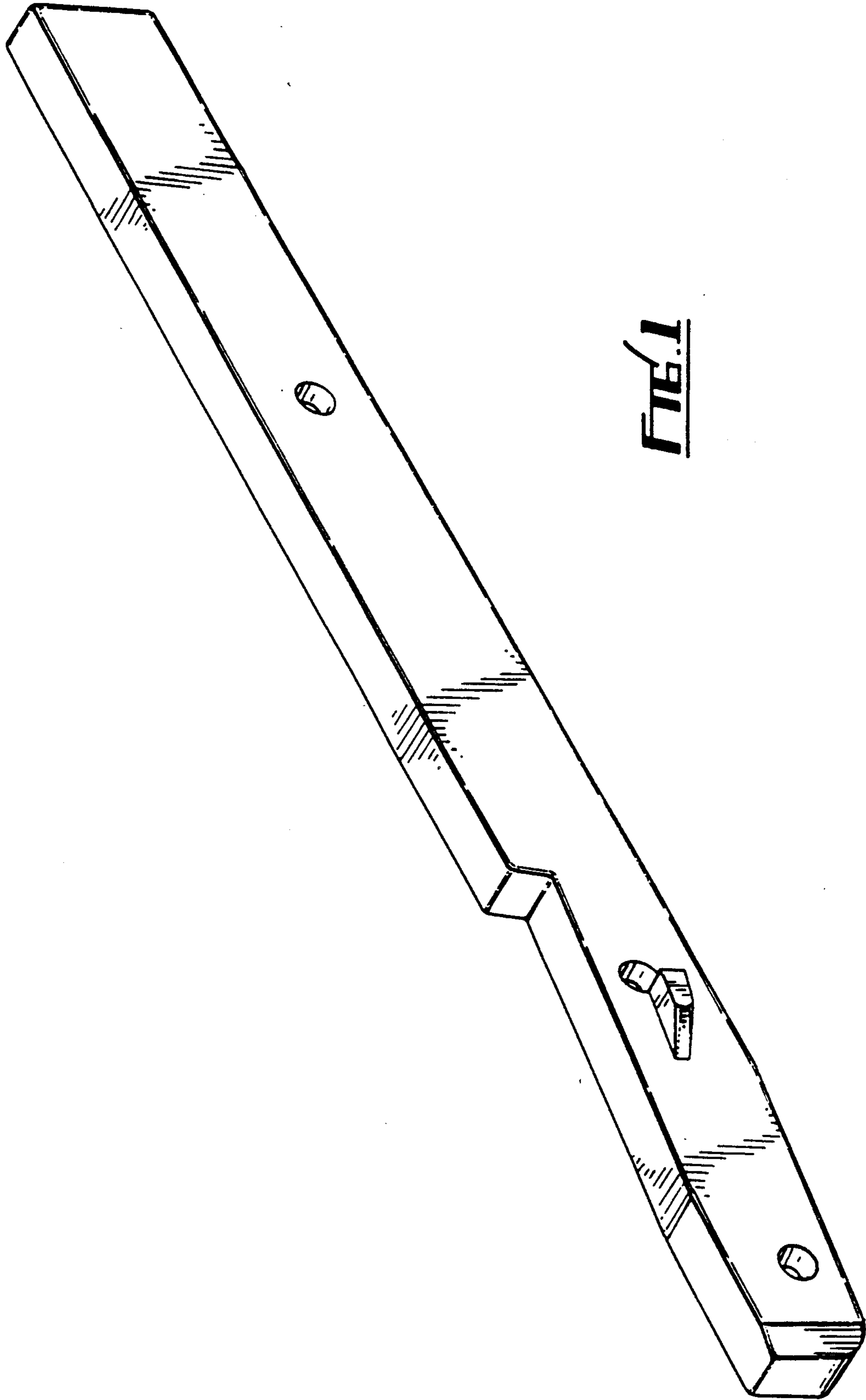


FIG. 1

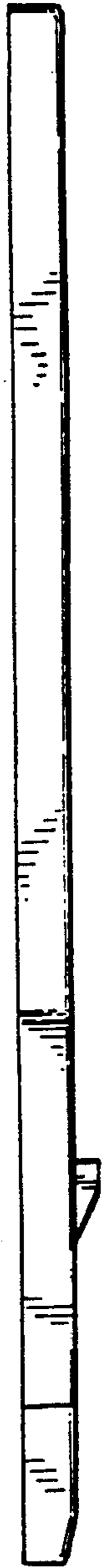


FIG. 2



FIG. 5

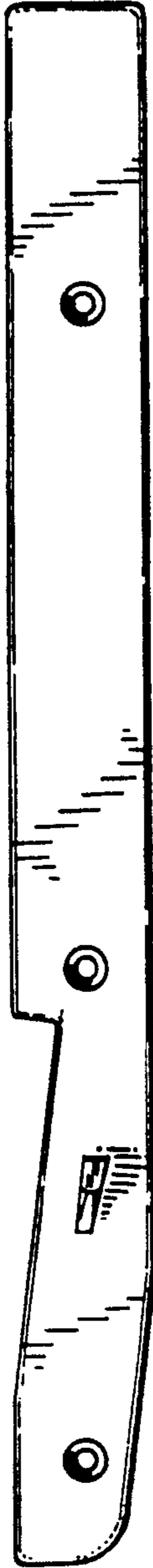


FIG. 3



FIG. 6



FIG. 4