

United States Patent [19]

Brantingham et al.

[11] Patent Number: **Des. 314,472**

[45] Date of Patent: **** Feb. 12, 1991**

[54] **COMBINED TOOL BOX AND STOOL**

[76] Inventors: **Mark Brantingham**, 6137 State Rte. 45, Lisbon, Ohio 44432; **Robert Coffee, Jr.**, 32701 Coffee School Rd., Salem, Ohio 44460

[**] Term: **14 Years**

[21] Appl. No.: **41,922**

[22] Filed: **Apr. 24, 1987**

[52] U.S. Cl. **D3/73; D3/30.1; D3/30.5; D6/336**

[58] Field of Search **D3/73, 30.1, 30.5, 74, D3/38; D34/40, 41, 44; D6/336, 349, 350; D25/65; 15/265; 312/DIG. 33, 235.1**

[56] **References Cited**

U.S. PATENT DOCUMENTS

D. 134,359 11/1942 Warth, Sr. D6/336
D. 276,861 12/1984 Keddie D6/467 X

D. 287,434 12/1986 Wolfe et al. D6/336
564,032 7/1896 Smith 15/265
4,366,998 1/1983 Kaiser D3/30.5 X

FOREIGN PATENT DOCUMENTS

504063 7/1954 Canada D3/30.5 X

Primary Examiner—A. Hugo Word

Assistant Examiner—Doris V. Coles

Attorney, Agent, or Firm—Harpman & Harpman

[57] **CLAIM**

The ornamental design for a combined tool box and stool, as shown and described.

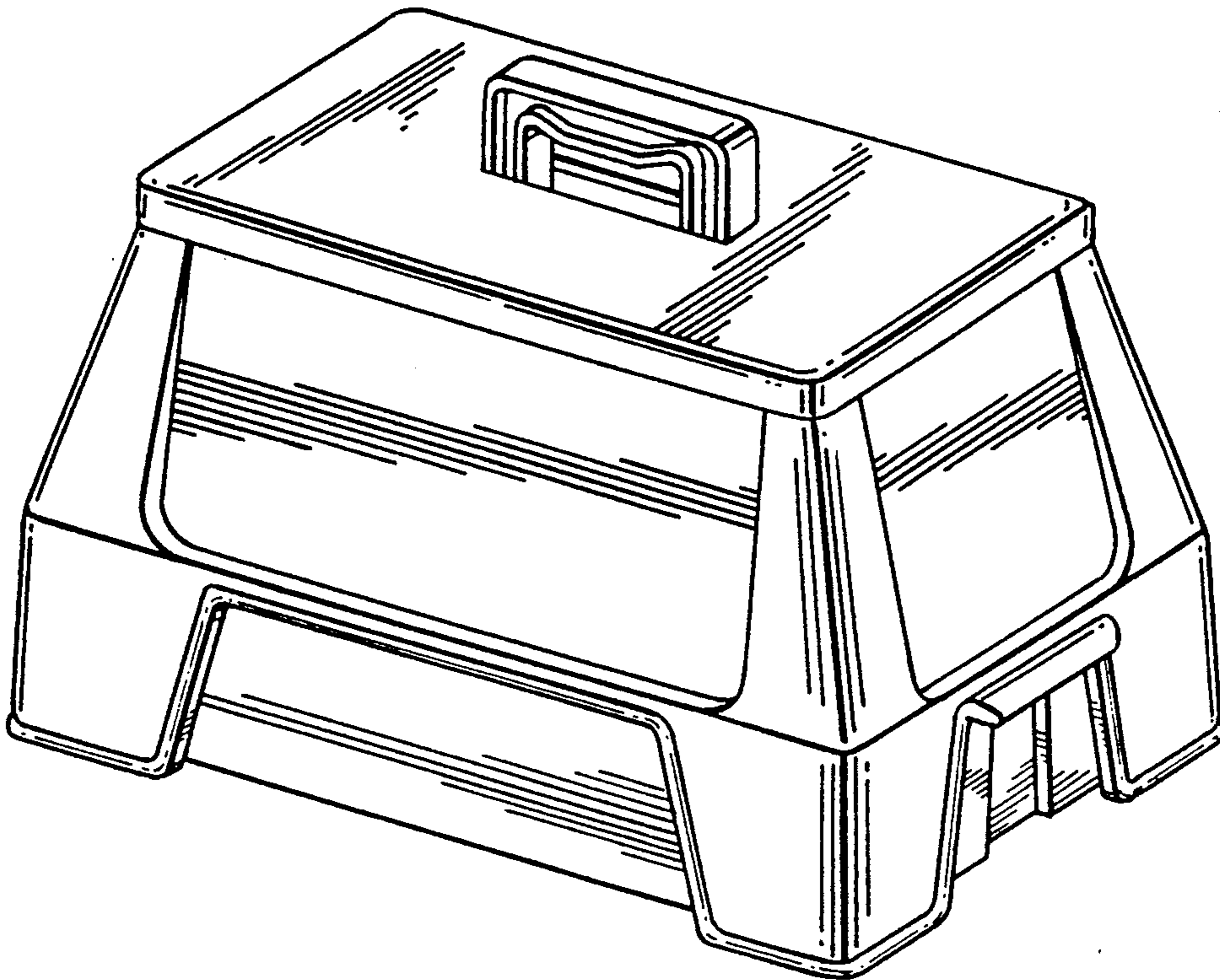
DESCRIPTION

FIG. 1 is a perspective view of a combined tool box and stool, showing our new design;

FIG. 2 is an end elevational view, the opposite end being a mirror image thereof;

FIG. 3 is a top plan view thereof; and

FIG. 4 is a bottom plan view thereof.



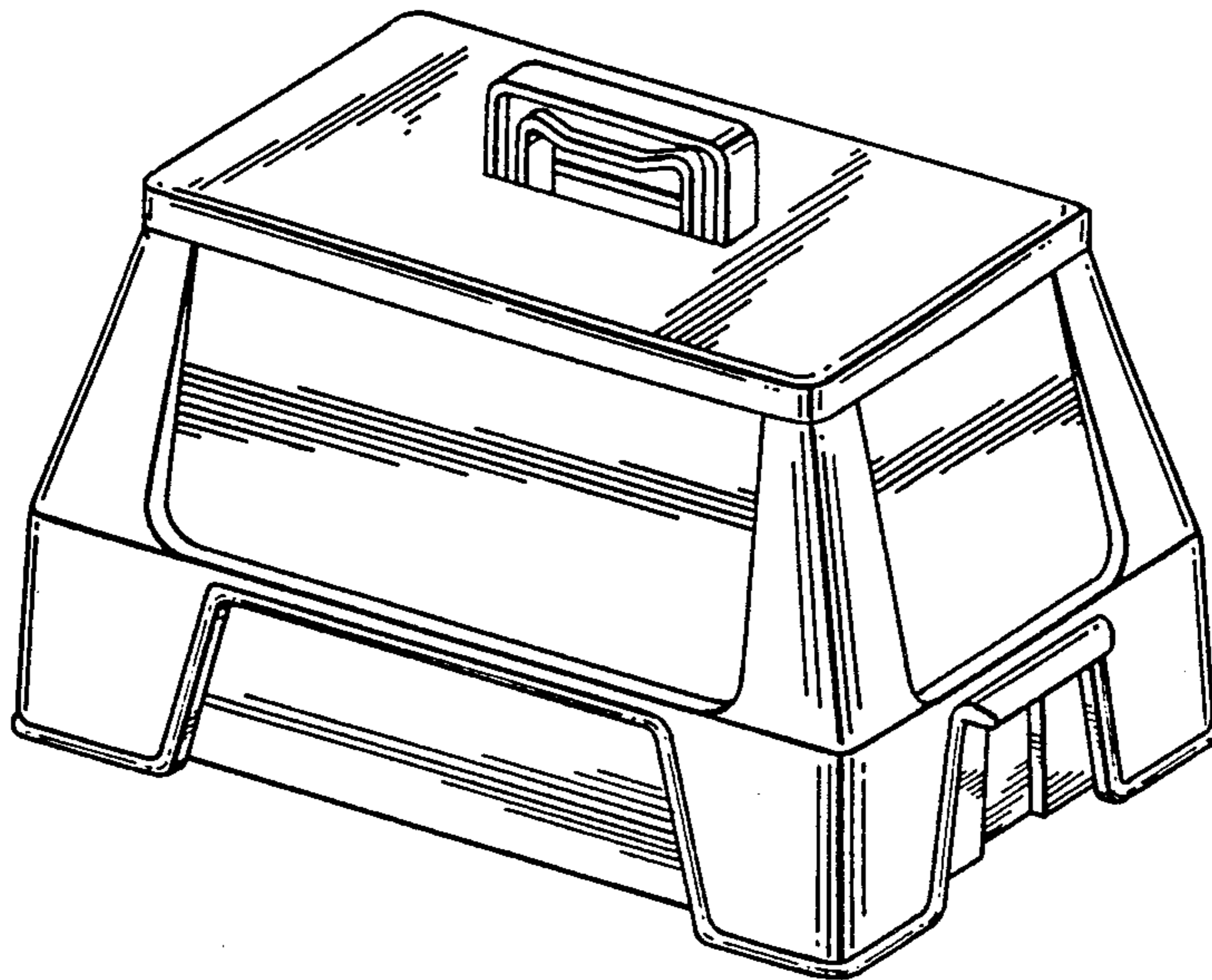


FIG. 1

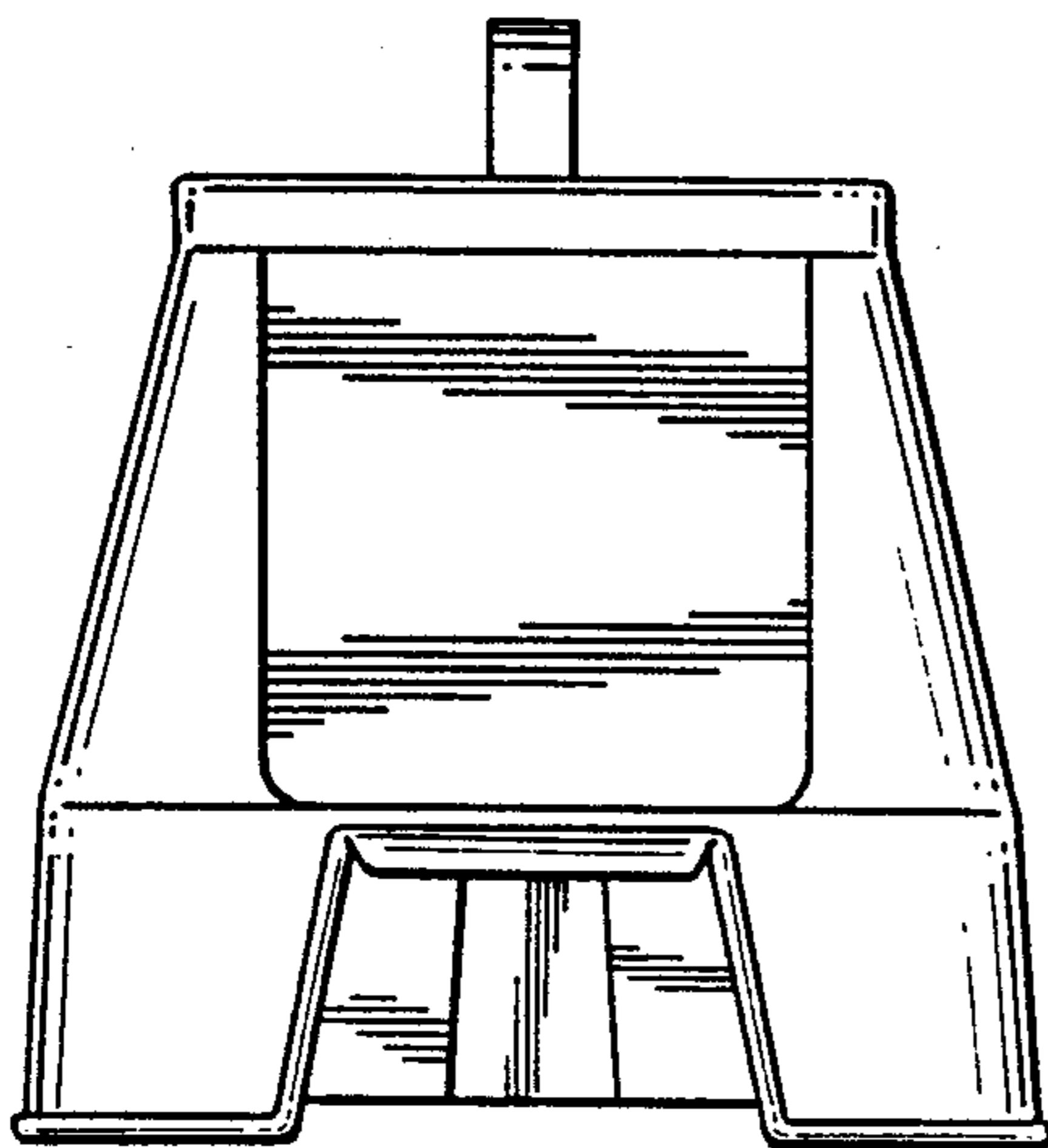


FIG. 2

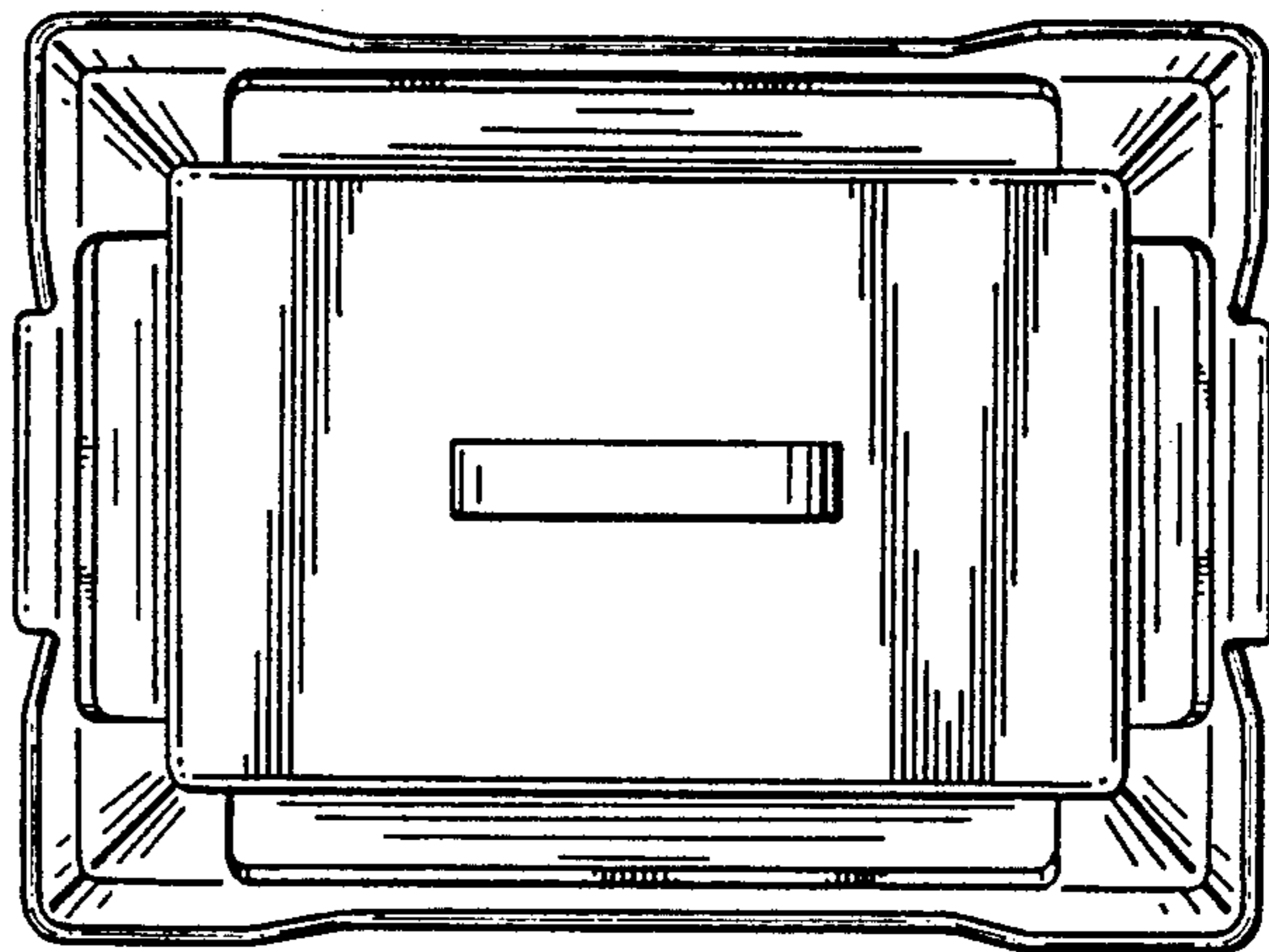


FIG. 3

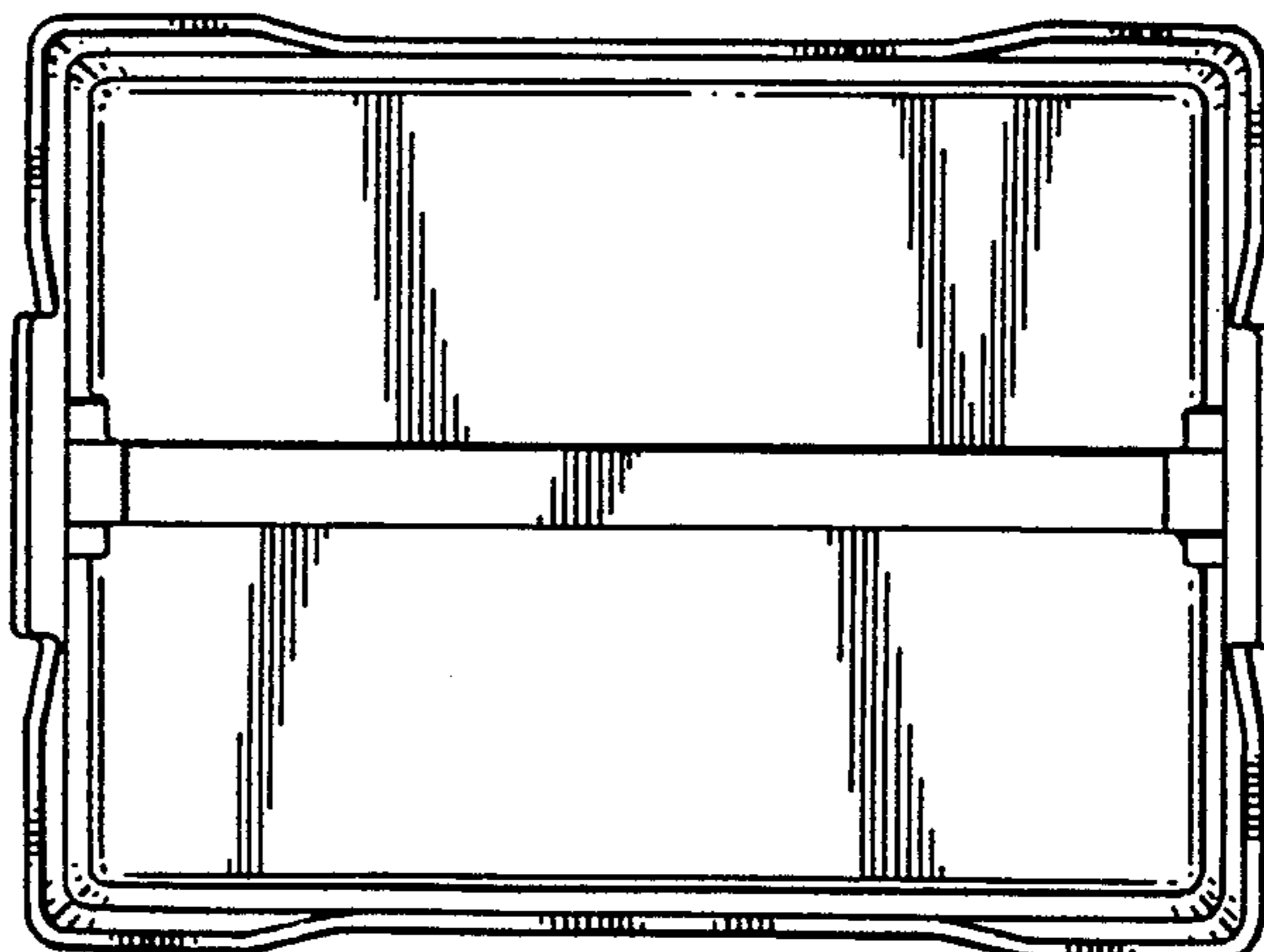


FIG. 4