

[54] SAW BLADE HOLDER OR SIMILAR ARTICLE

FOREIGN PATENT DOCUMENTS

675994 12/1963 Canada D3/30.1 X

[76] Inventor: Richard H. Lueth, 19715 Streit Rd., Harvard, Ill. 60033

Primary Examiner—Louis S. Zarfes
Assistant Examiner—M. N. Pandozzi
Attorney, Agent, or Firm—Charles F. Meroni, Jr.

[**] Term: 14 Years

[57] CLAIM

[21] Appl. No.: 187,418

The ornamental design for a saw blade holder or similar article, as shown and described.

[22] Filed: Apr. 28, 1988

DESCRIPTION

[52] U.S. Cl. D3/73; D3/30.1; D3/105

[58] Field of Search D3/73, 105, 30.1; D8/71; 43/57.1; 224/904

FIG. 1 is a rear perspective view of a saw blade holder or similar article showing my new design; FIG. 2 is a front perspective view thereof; FIG. 3 is a rear elevational view thereof; FIG. 4 is a front elevational view thereof; FIG. 5 is a right side elevational view, the left side being a mirror image thereof; FIG. 6 is a top plan view thereof; FIG. 7 is a bottom plan view thereof.

[56] References Cited

U.S. PATENT DOCUMENTS

- D. 271,918 12/1983 Ramirez D3/73
- 2,214,993 9/1940 DeWitt 43/57.1 X
- 2,780,486 2/1957 Loughlin D3/73 X
- 3,053,424 9/1962 Reinhard D3/73

The broken line illustration in the drawing disclosure is not a part of the design here sought to be patented.

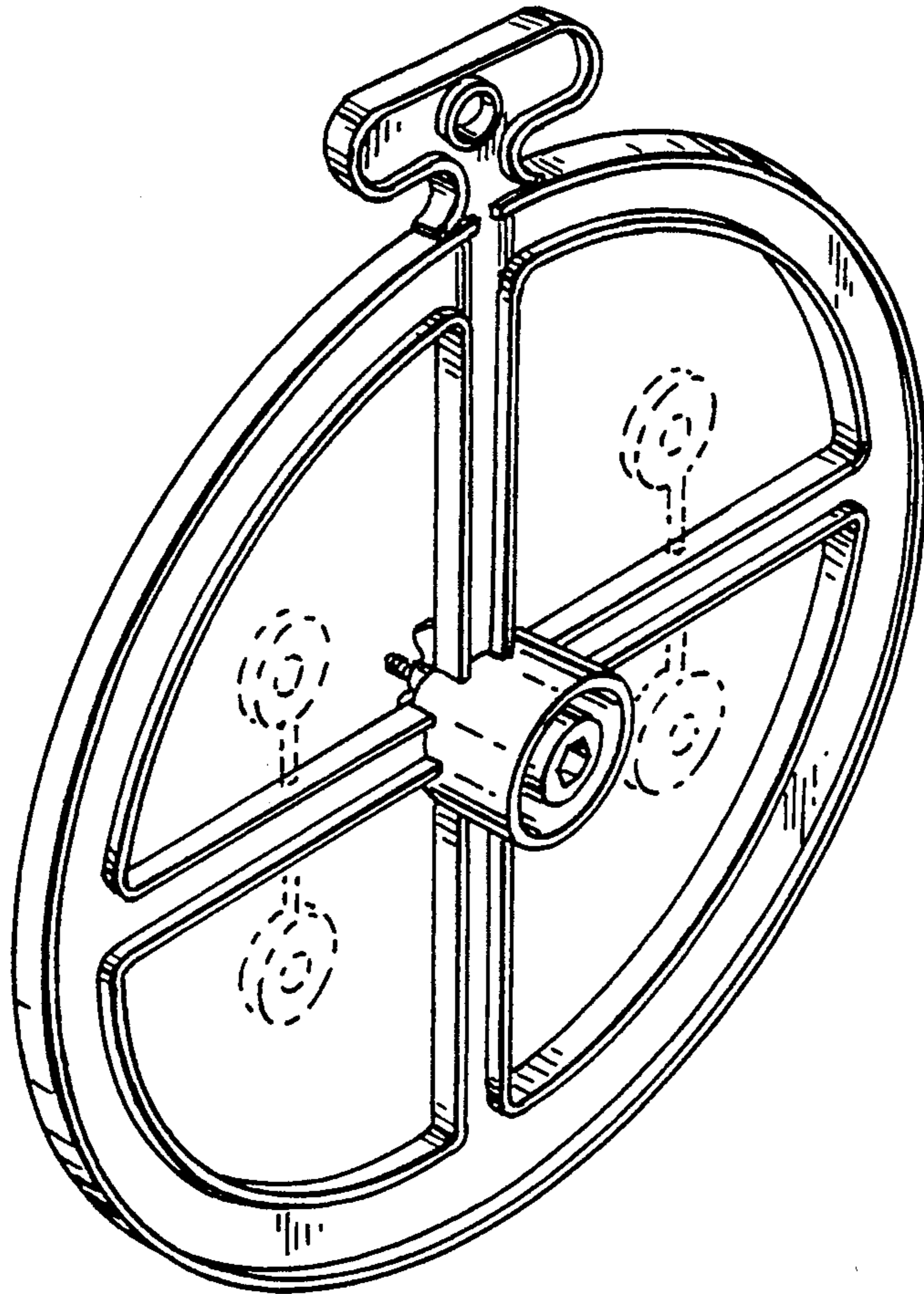


FIG. 1

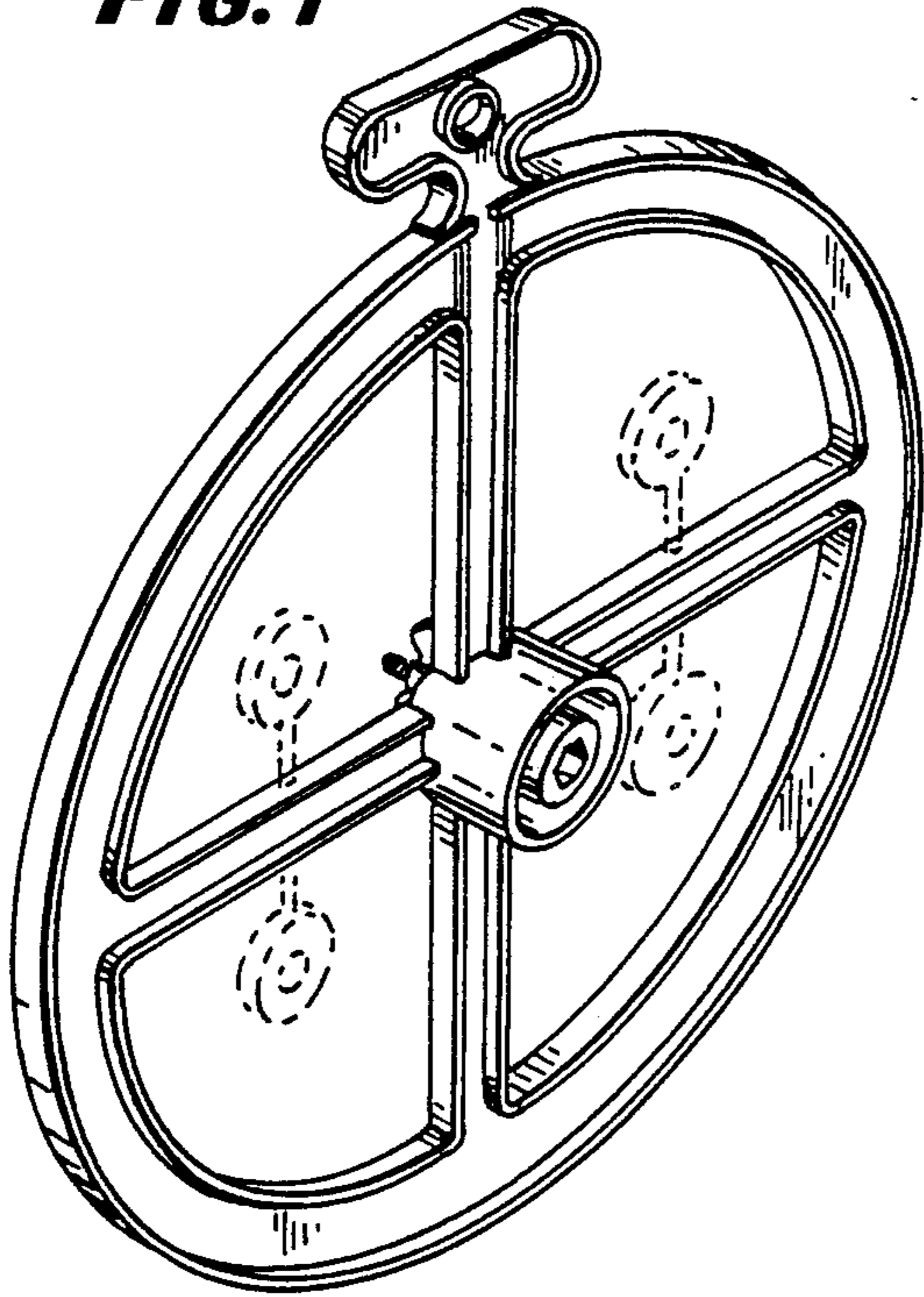


FIG. 2

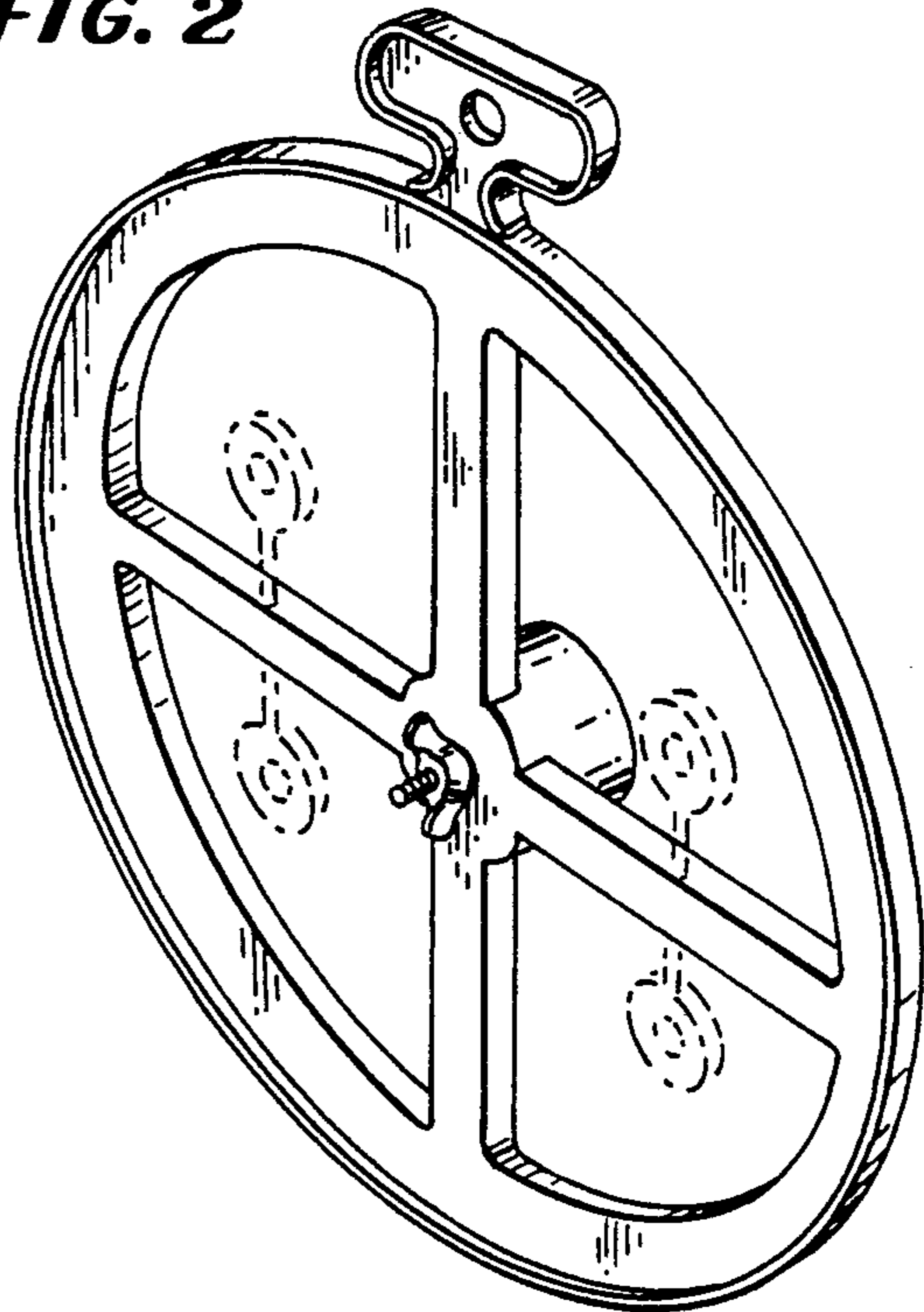


FIG. 3

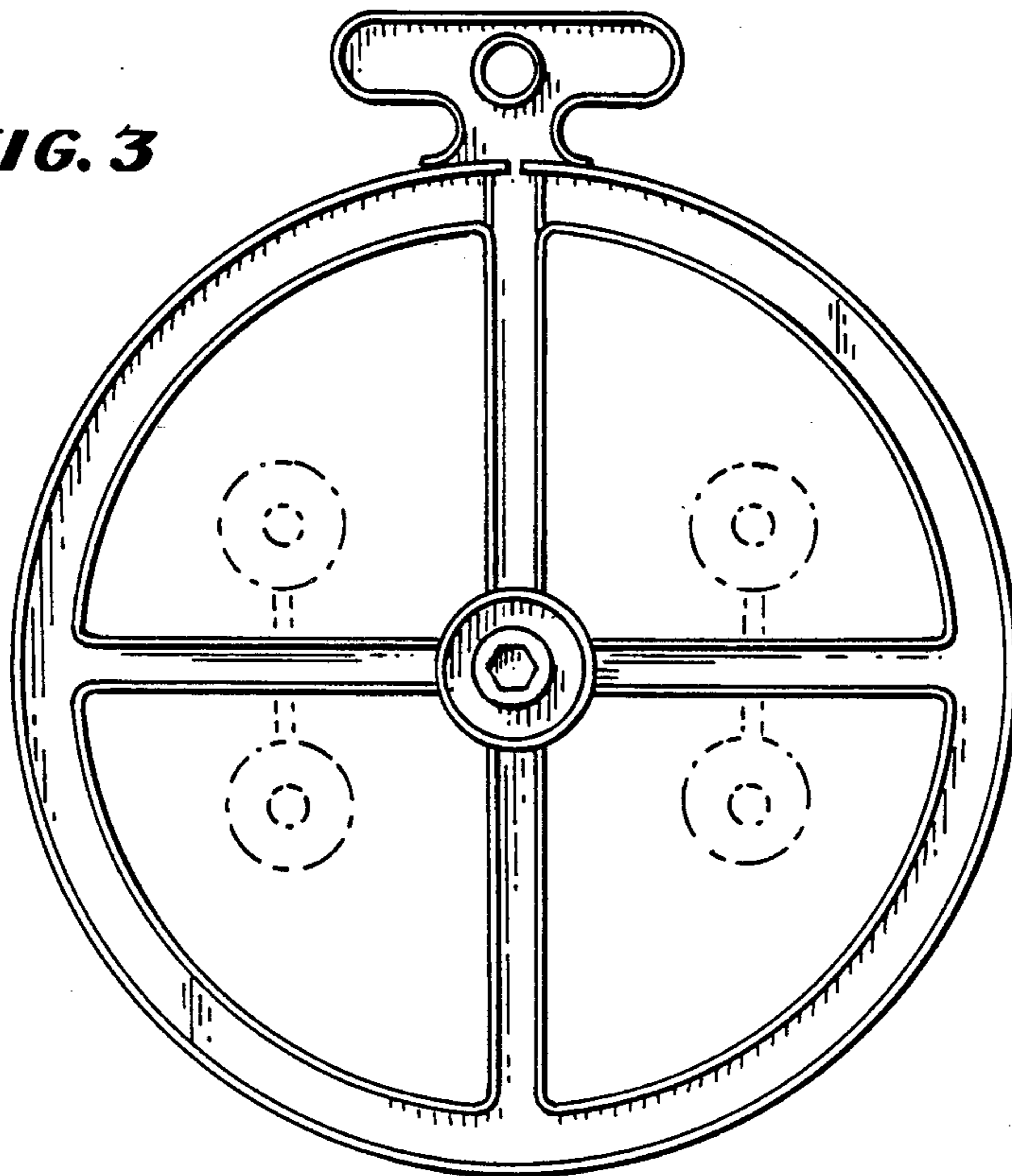


FIG. 4

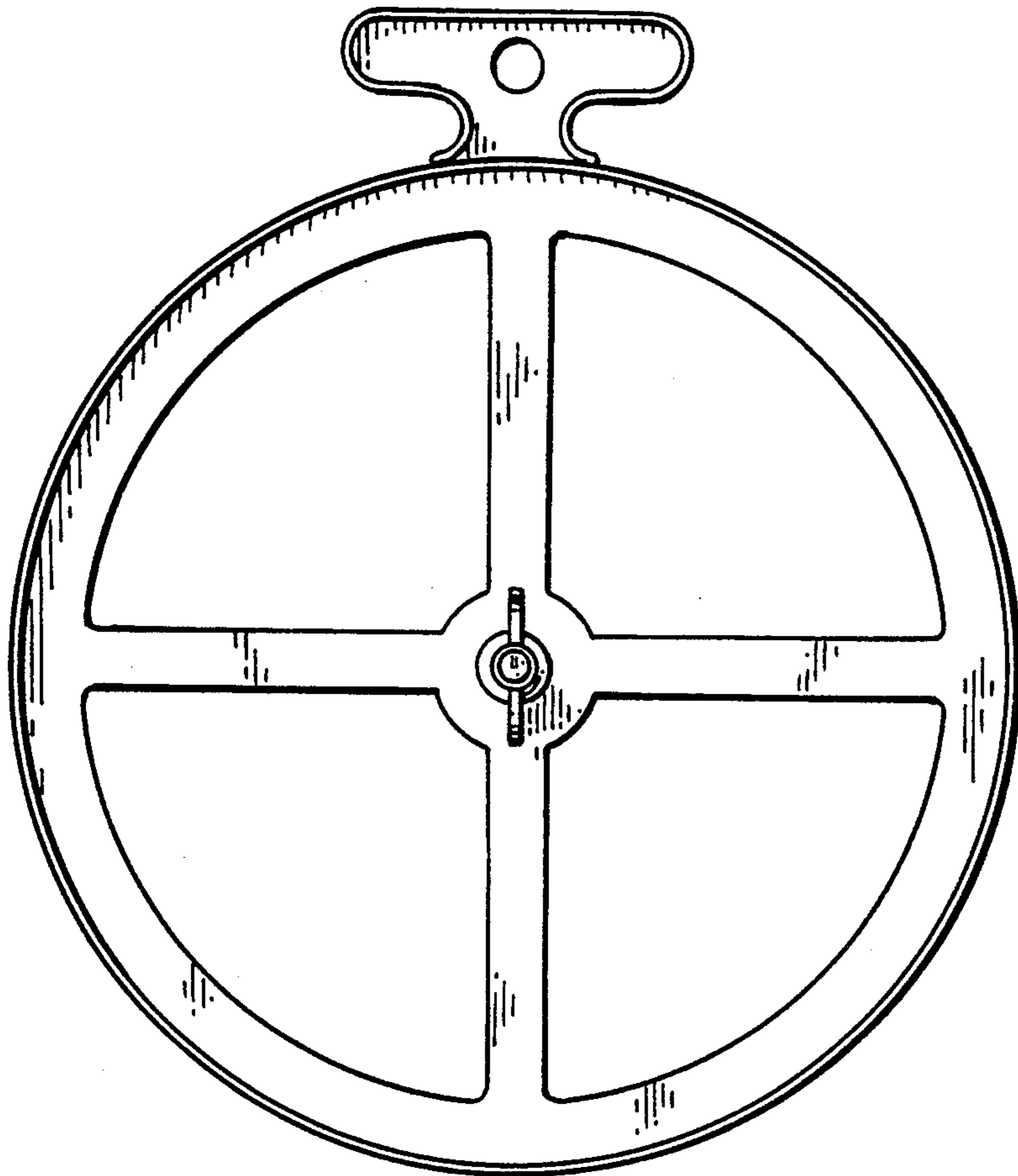


FIG. 5

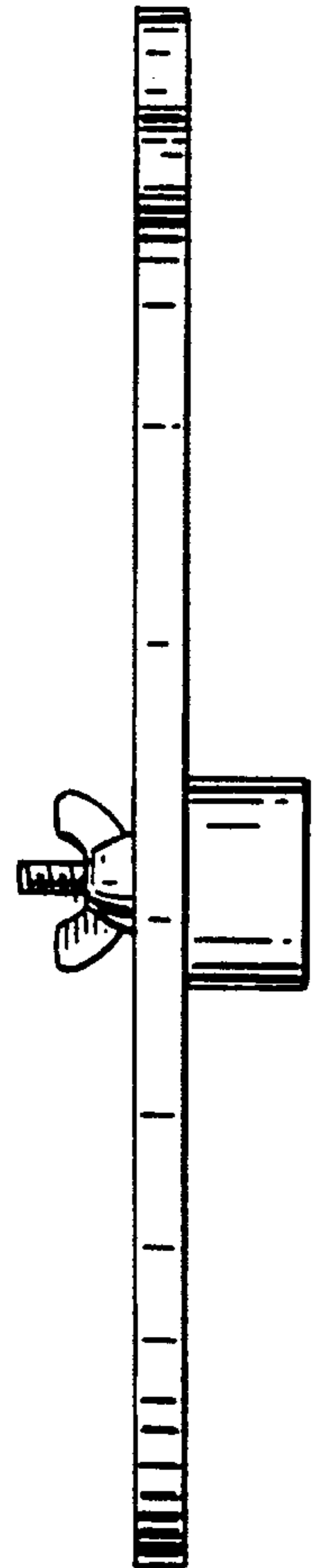


FIG. 6

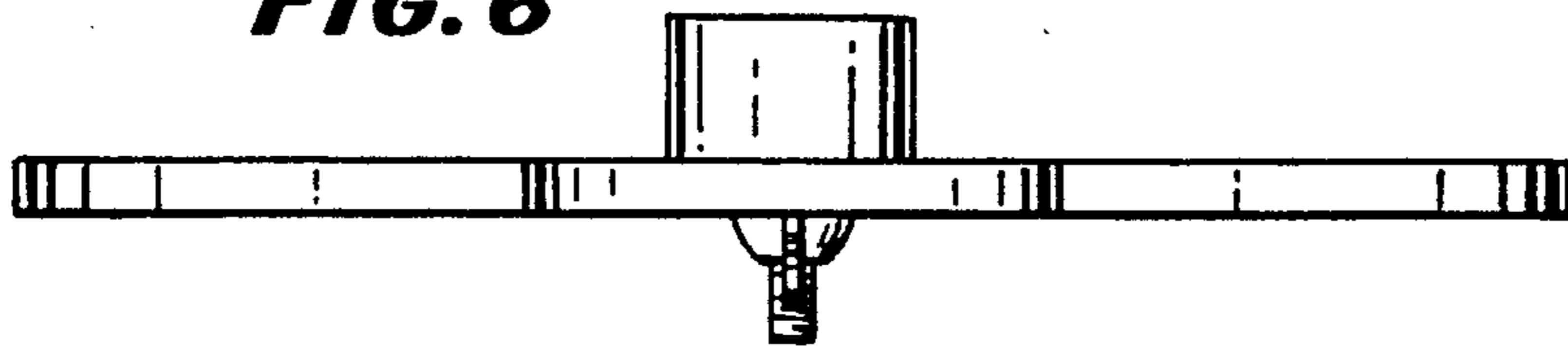


FIG. 7

