

[54] TOOL CASE

[75] Inventor: Walter J. Hutchins, West Hartford, Conn.

[73] Assignee: The Stanley Works, New Britain, Conn.

[**] Term: 14 Years

[21] Appl. No.: 241,092

[22] Filed: Sep. 2, 1988

[52] U.S. Cl. D3/48; D3/42

[58] Field of Search D3/71, 50, 38, 74, 30.1, D3/42, 48; 190/119, 111, 103, 117; 312/DIG. 33; 206/373, 372, 523, 592; 150/112, 117; 383/18, 16, 24, 22

[56] References Cited

U.S. PATENT DOCUMENTS

D. 250,435	11/1978	Cooper	D3/48 X
D. 268,714	4/1983	Goepel	D3/74
D. 268,879	5/1983	Outcalt	D3/48 X
D. 284,623	7/1986	Gerch	D3/71
D. 291,744	9/1987	Cohen	D3/74
D. 292,746	11/1987	Allen	D3/71 X

1,263,343	4/1918	Beck	312/DIG. 33
2,631,632	7/1948	Leachman	383/38 X
4,436,189	3/1984	Baum	190/119 X

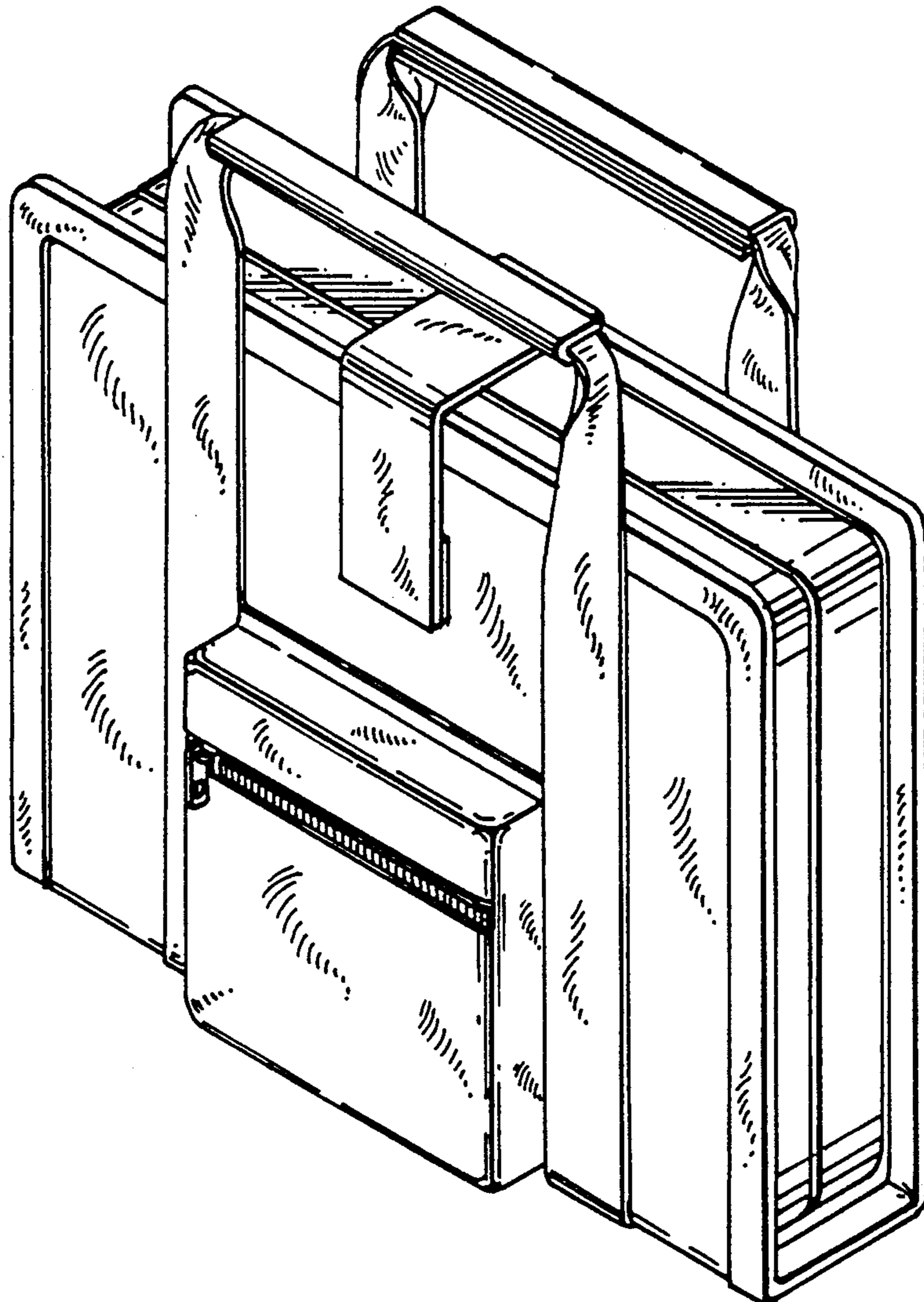
Primary Examiner—Louis S. Zarfes
Assistant Examiner—M. N. Pandozzi

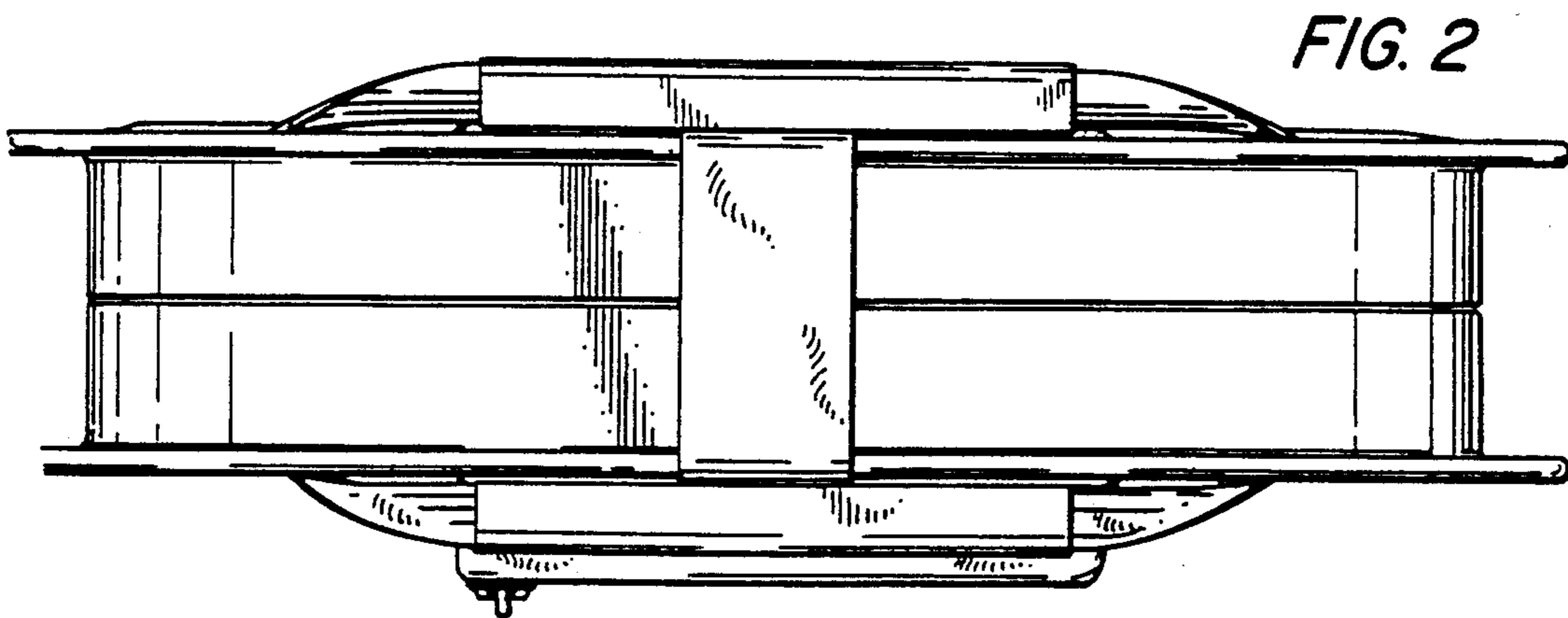
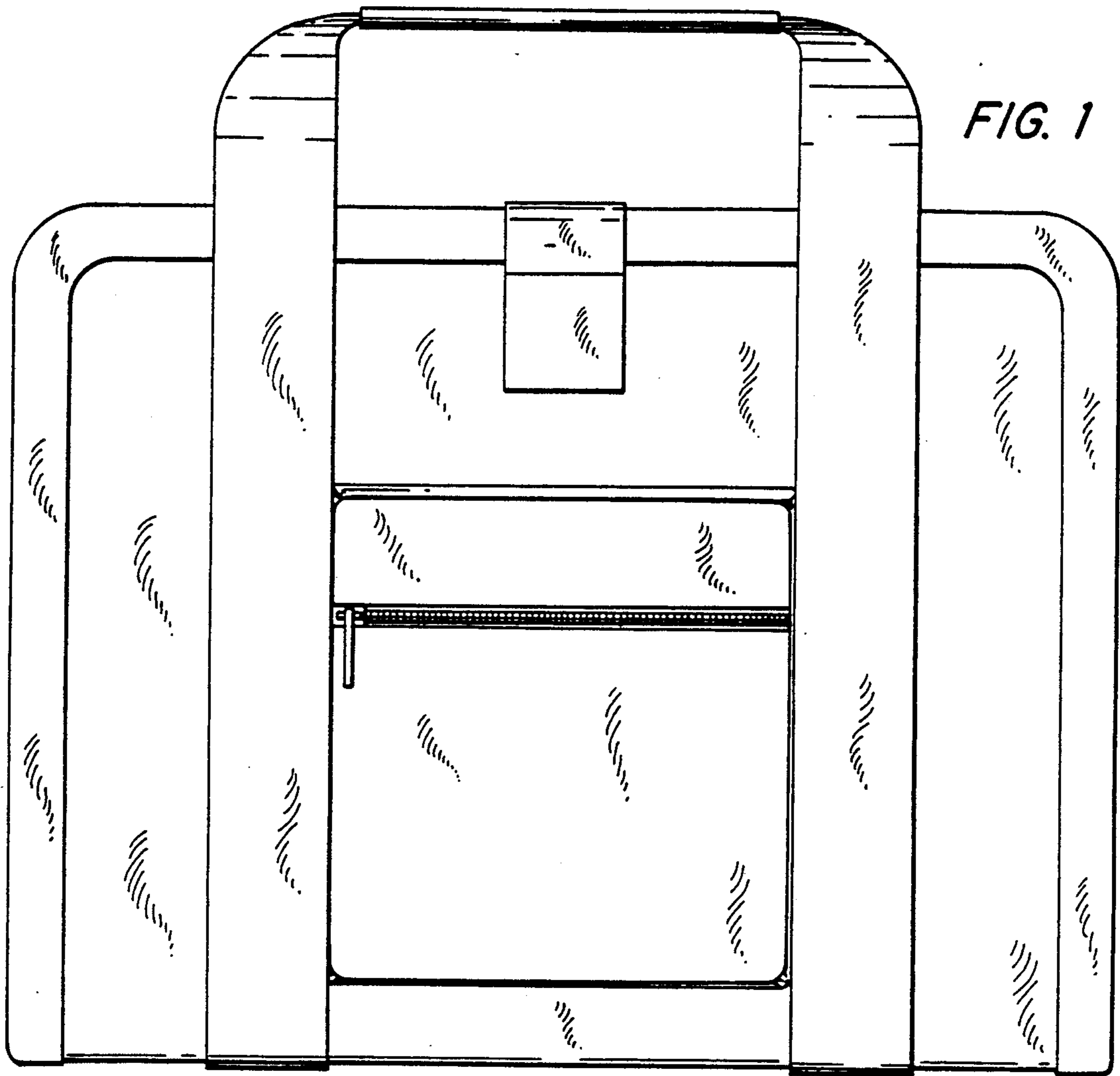
[57] CLAIM

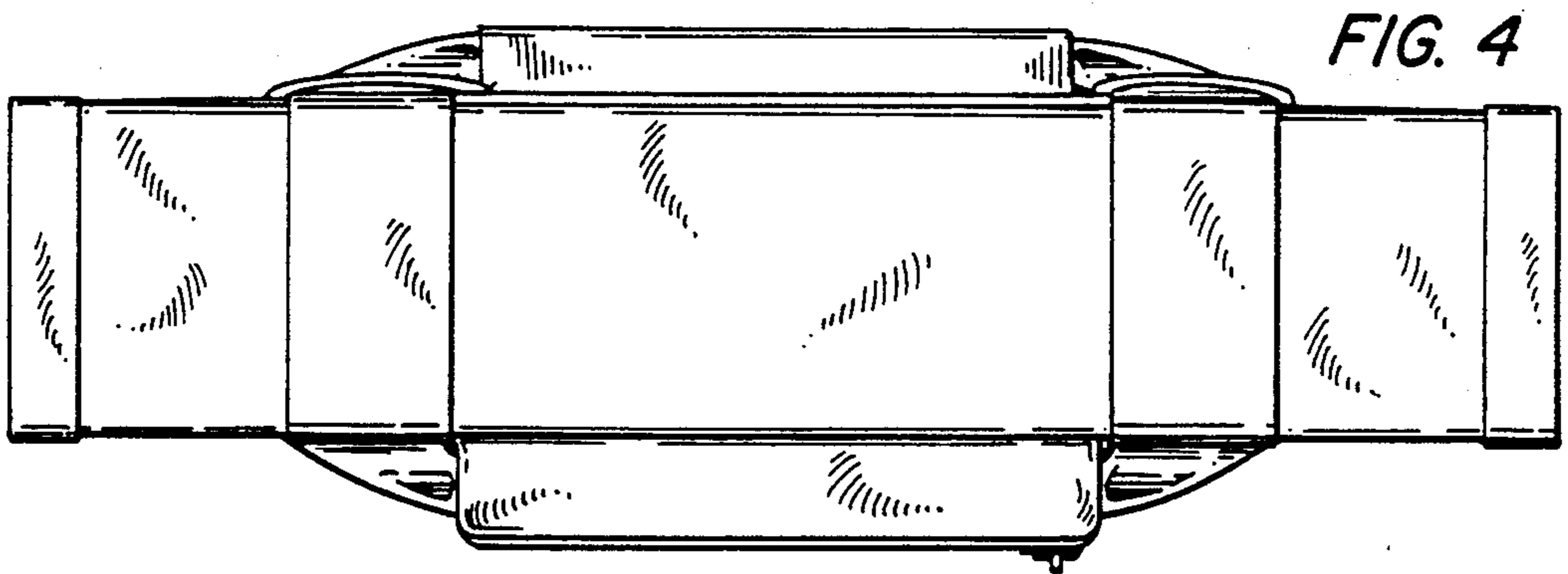
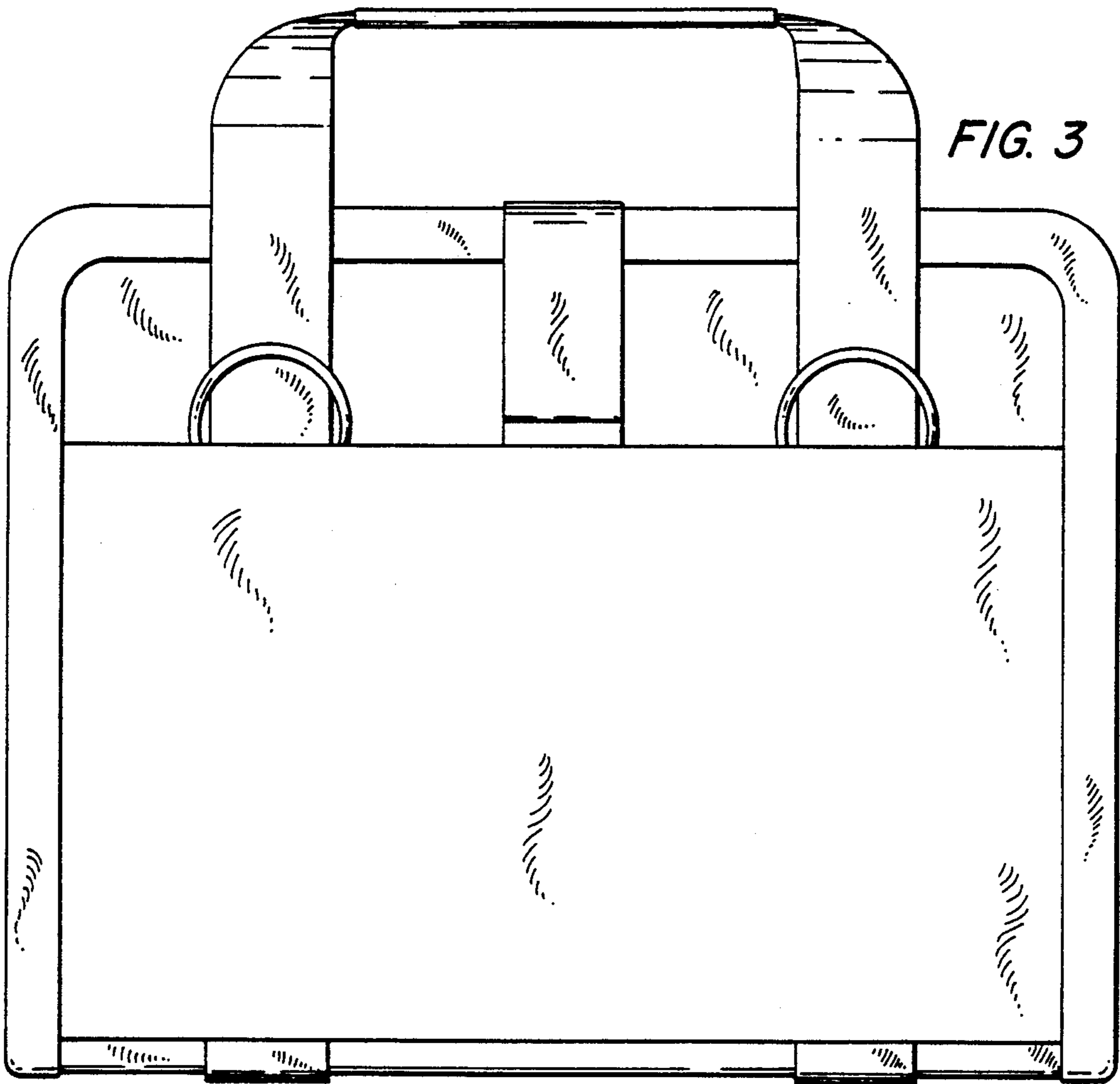
The ornamental design for a tool case, as shown and described.

DESCRIPTION

FIG. 1 is a front elevational view of a tool case showing my new design;
FIG. 2 is a top plan view thereof;
FIG. 3 is a rear elevational view thereof with the hanging rings pivoted into an upwardly extending position;
FIG. 4 is a bottom plan view thereof;
FIG. 5 is a perspective view thereof drawn to a reduced scale;
FIG. 6 is a right side elevational view thereof to the same scale as FIG. 1-4, the left side being a mirror image thereof; and
FIG. 7 is a perspective view thereof in an open position.
The broken line showing of recesses for storing tools is for illustrative purposes only and forms no part of the claimed design.







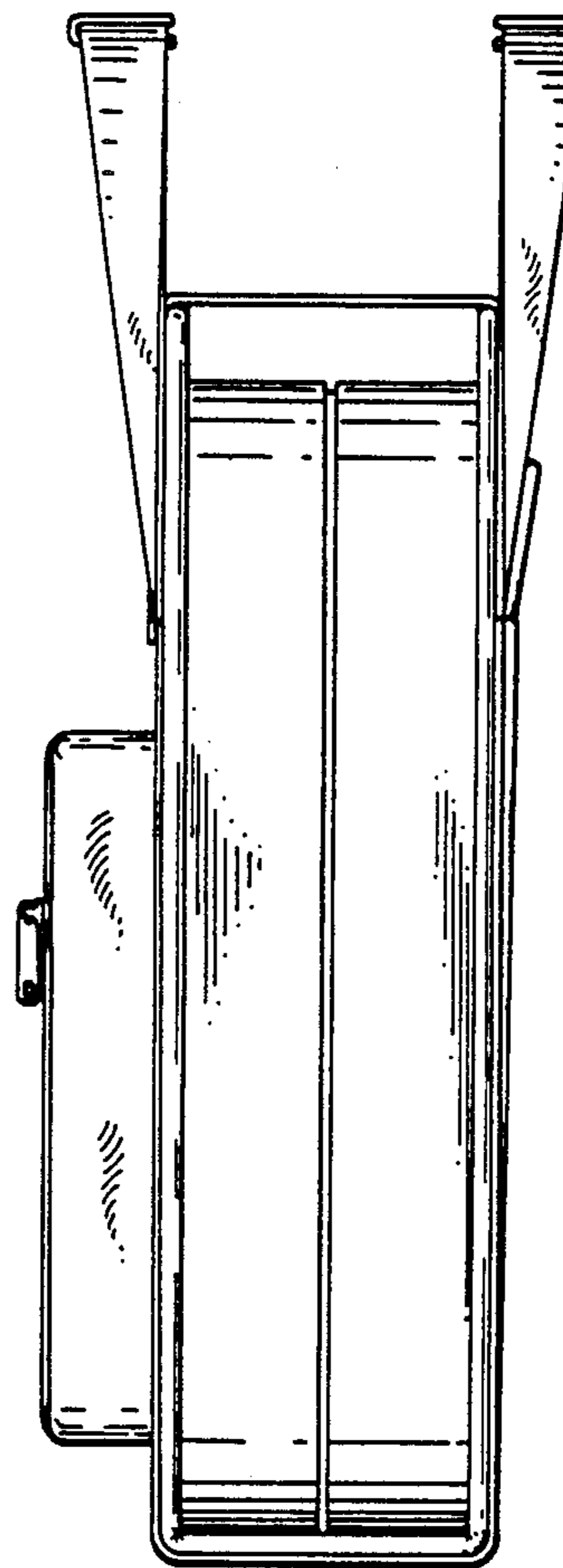
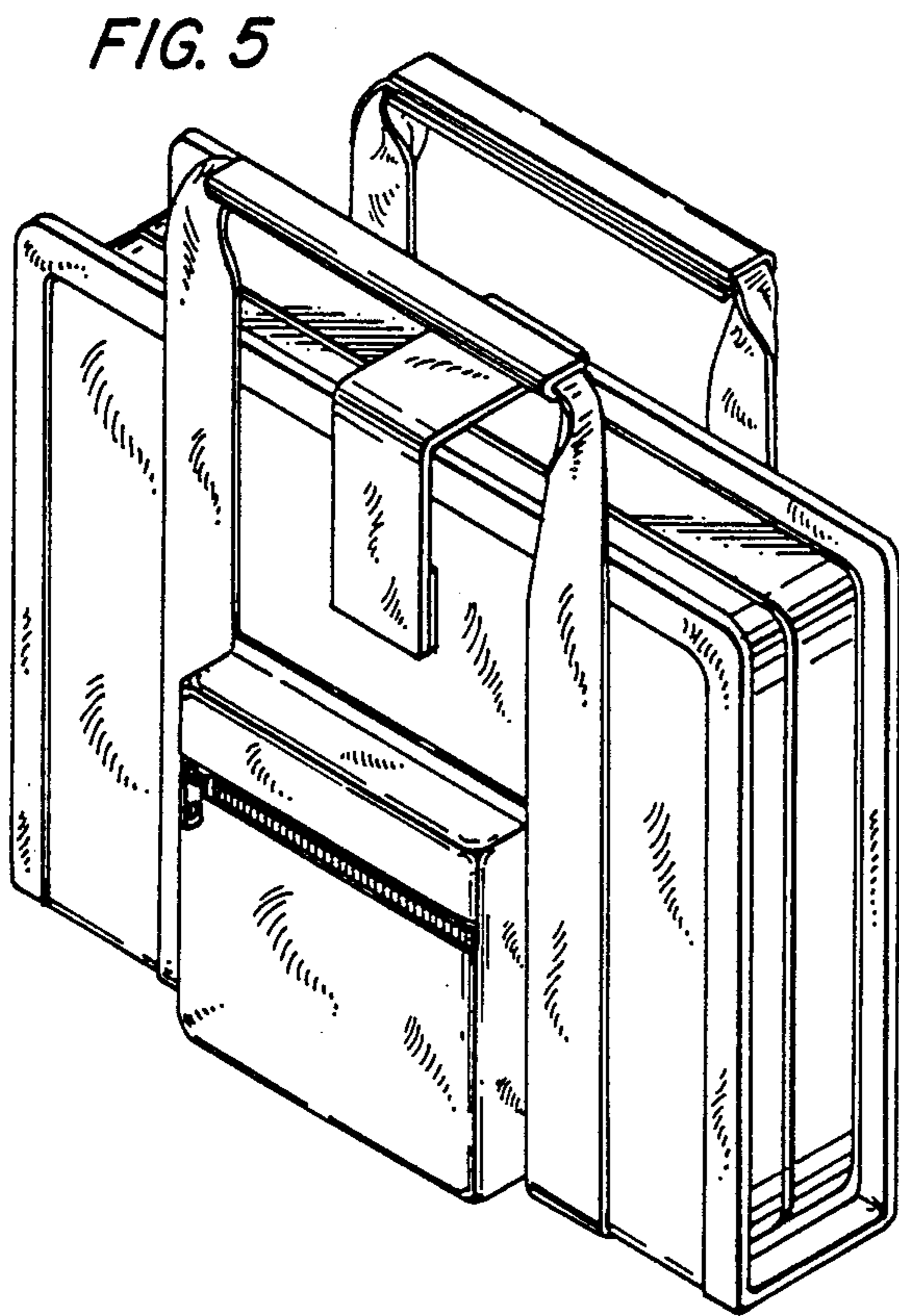


FIG. 6

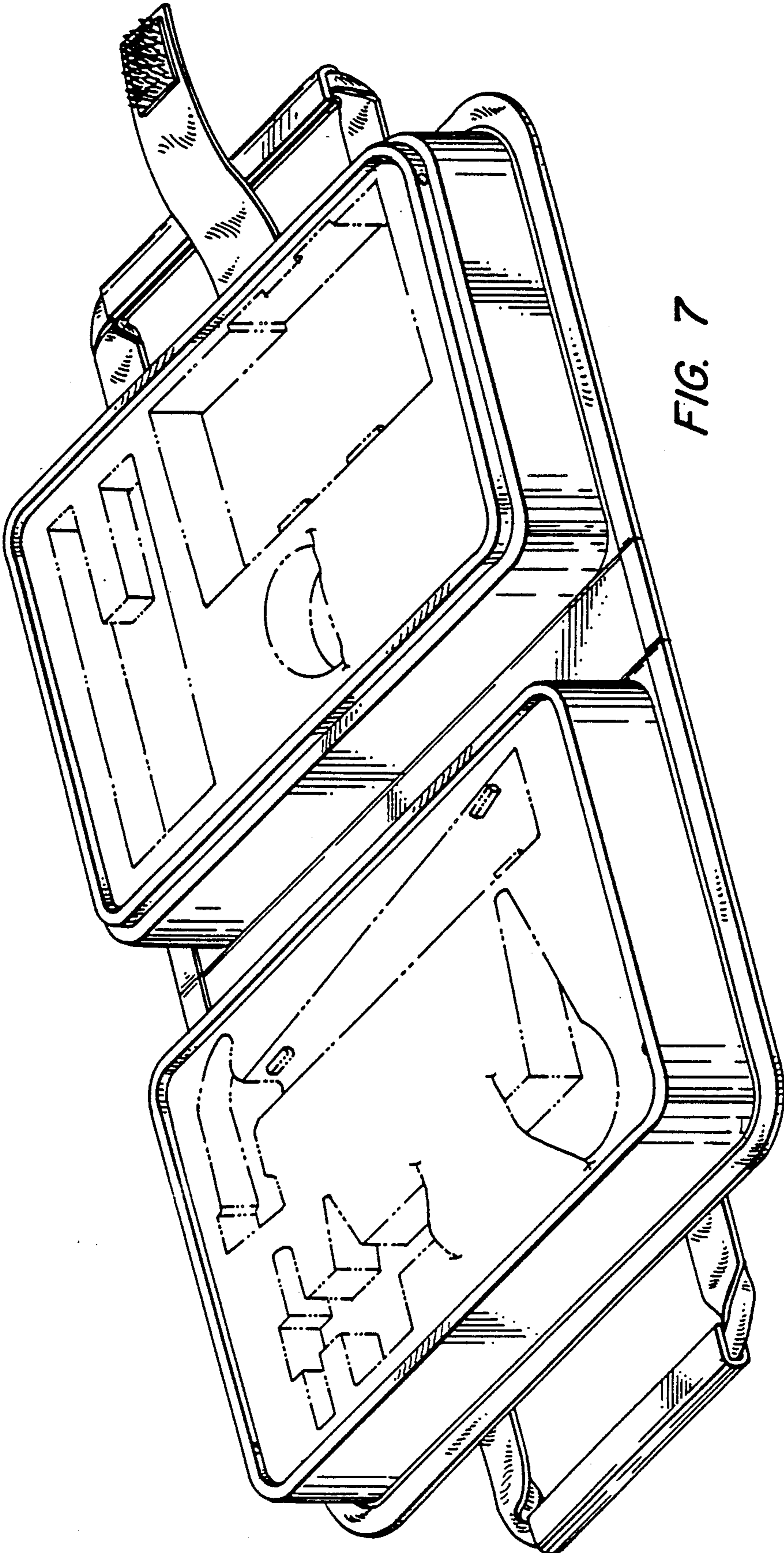


FIG. 7