

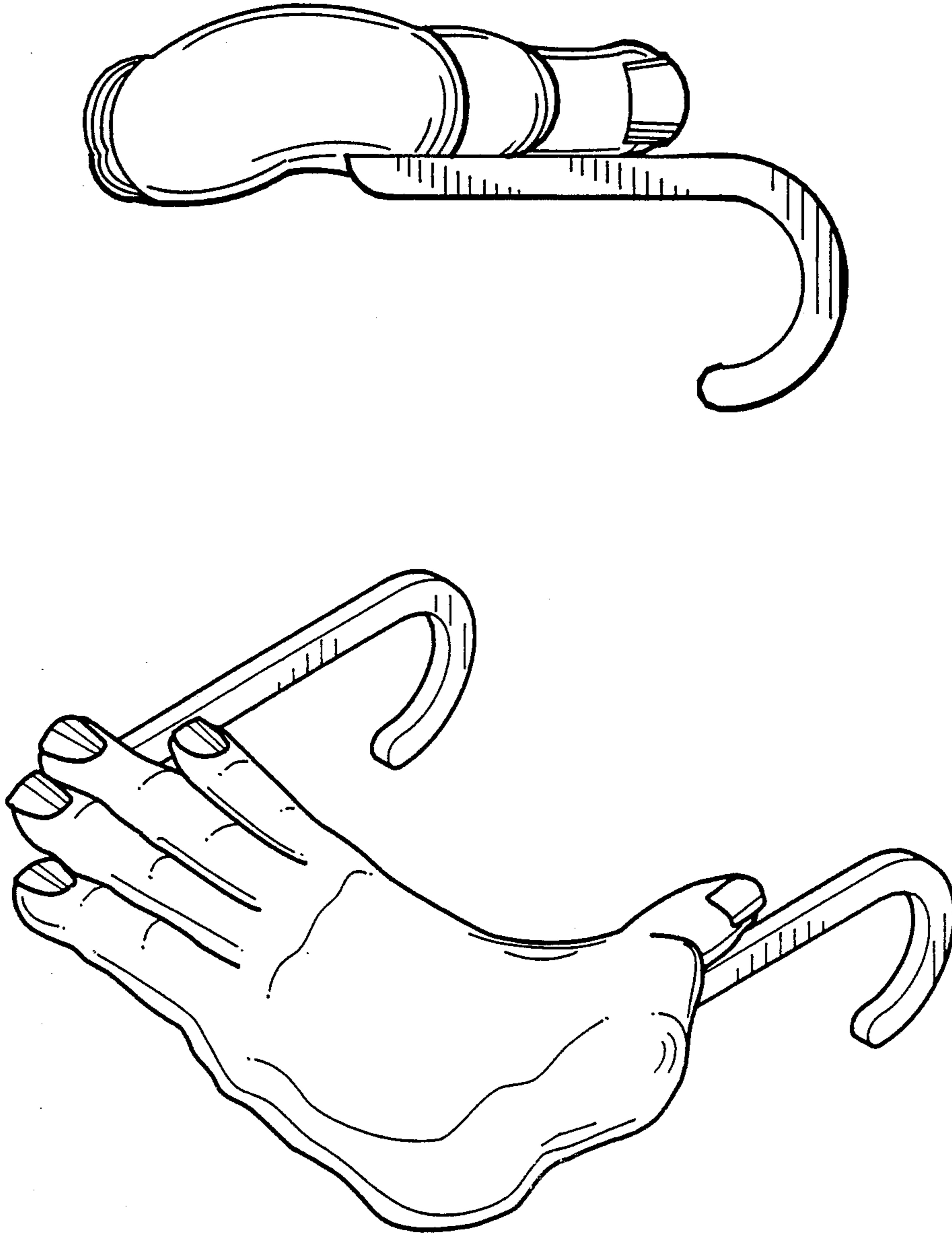
[54] VISOR
[76] Inventor: Ronnie W. Hall, P.O. Box 131321,
Tyler, Tex. 75713
[**] Term: 14 Years
[21] Appl. No.: 96,328
[22] Filed: Sep. 14, 1987
[52] U.S. Cl. D2/248
[58] Field of Search D16/102-104,
D16/110, 112, 123; D2/509, 244, 246-248;
D29/14-18; 2/10, 12-13, 15, 195, 197-198,
209.1, 171, 171.1, 171.4, 171.7, 178

[56] References Cited
U.S. PATENT DOCUMENTS
D. 178,984 10/1956 Black D16/110
D. 206,352 11/1966 Boxer et al. D16/110

D. 214,258 5/1969 Carpenter et al. D16/110
D. 299,767 2/1989 Hsin D16/110
Primary Examiner—A. Hugo Word
Assistant Examiner—Ruth McInroy
Attorney, Agent, or Firm—Jerry T. Kearns

[57] CLAIM
The ornamental design for a visor, as shown and de-
scribed.

DESCRIPTION
FIG. 1 is a front elevational view of a visor showing my
new design;
FIG. 2 is a rear elevational view thereof;
FIG. 3 is a left side elevational view thereof;
FIG. 4 is a right side elevational view thereof;
FIG. 5 is a top plan view thereof;
FIG. 6 is a bottom plan view thereof; and,
FIG. 7 is a perspective view thereof.



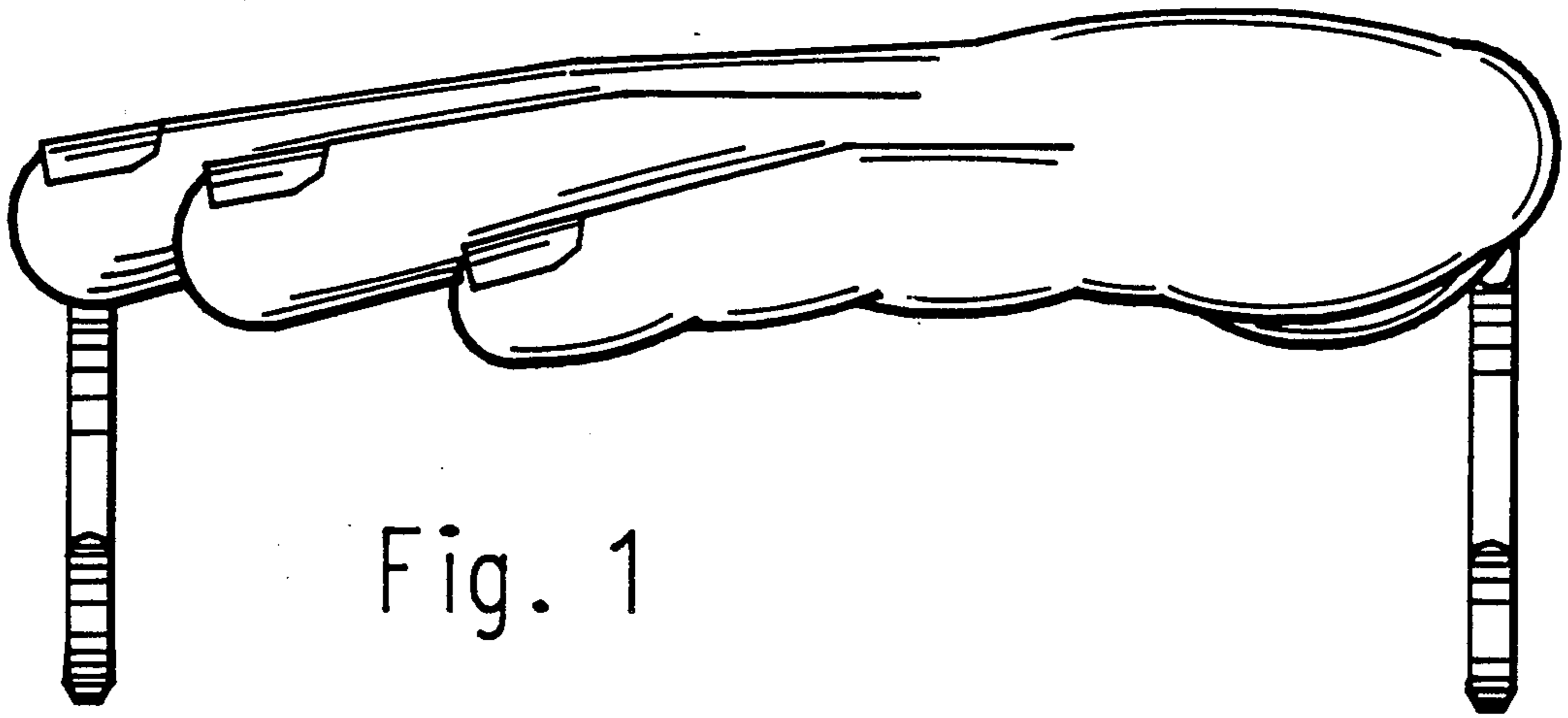


Fig. 1

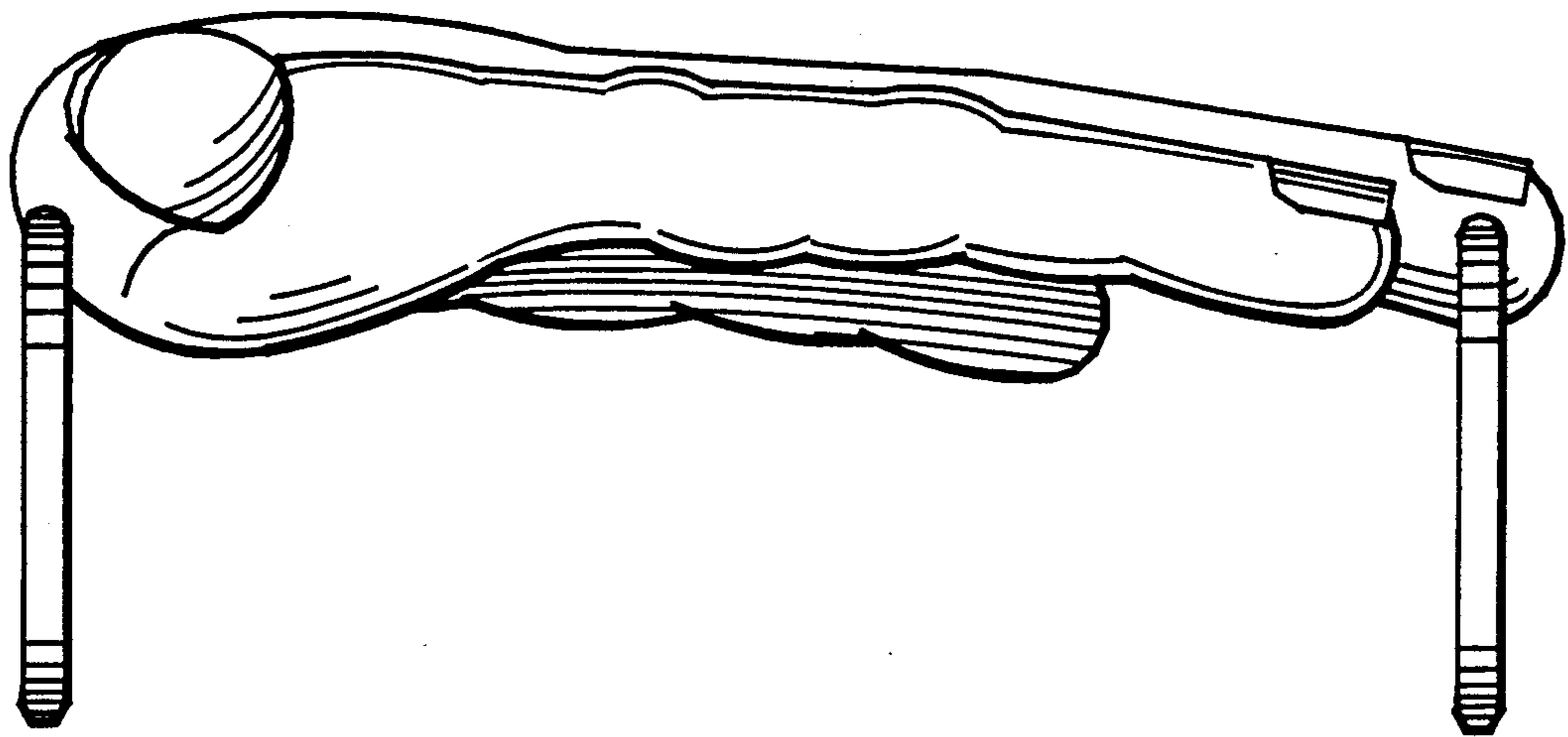


Fig. 2

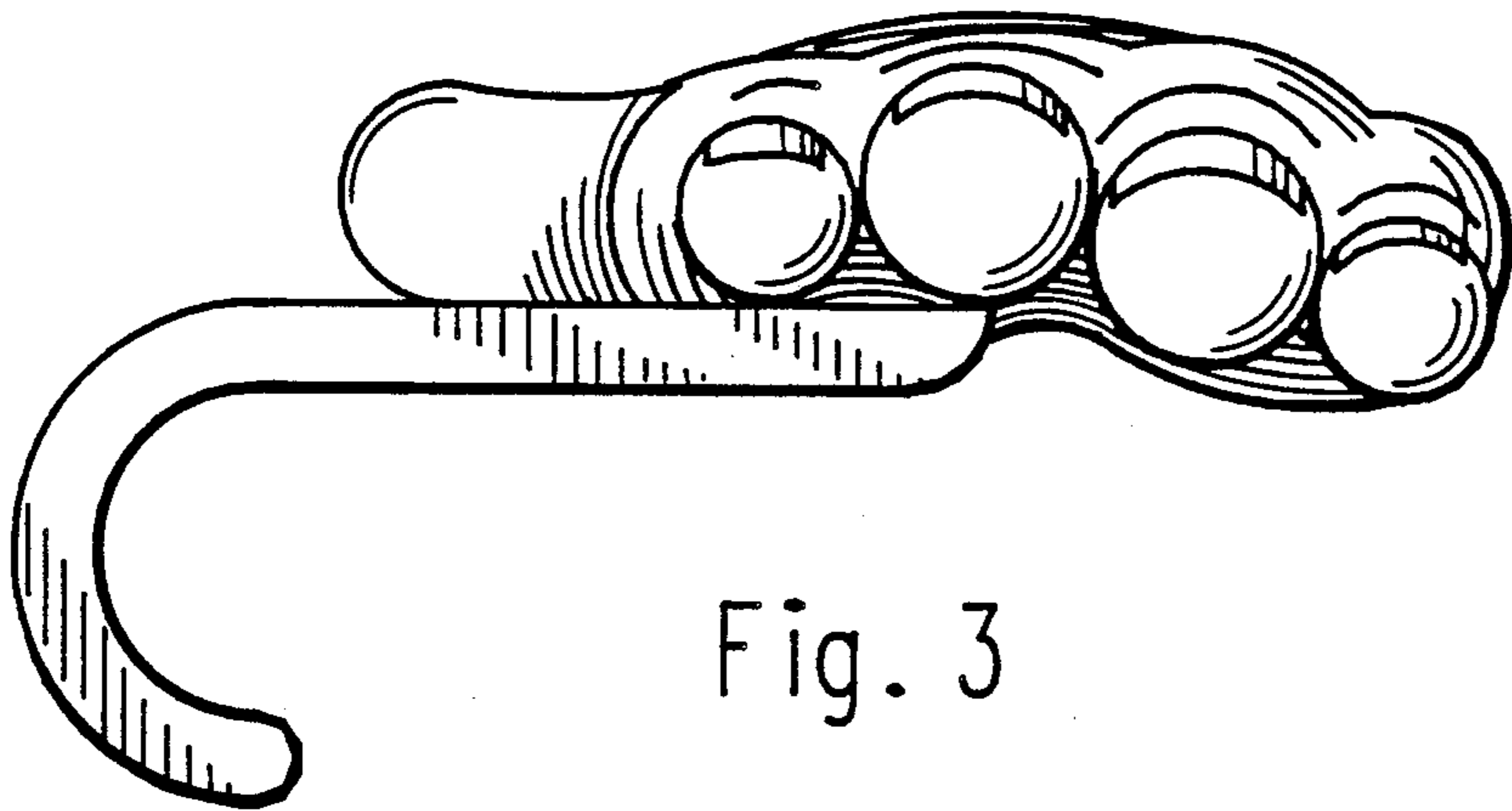


Fig. 3

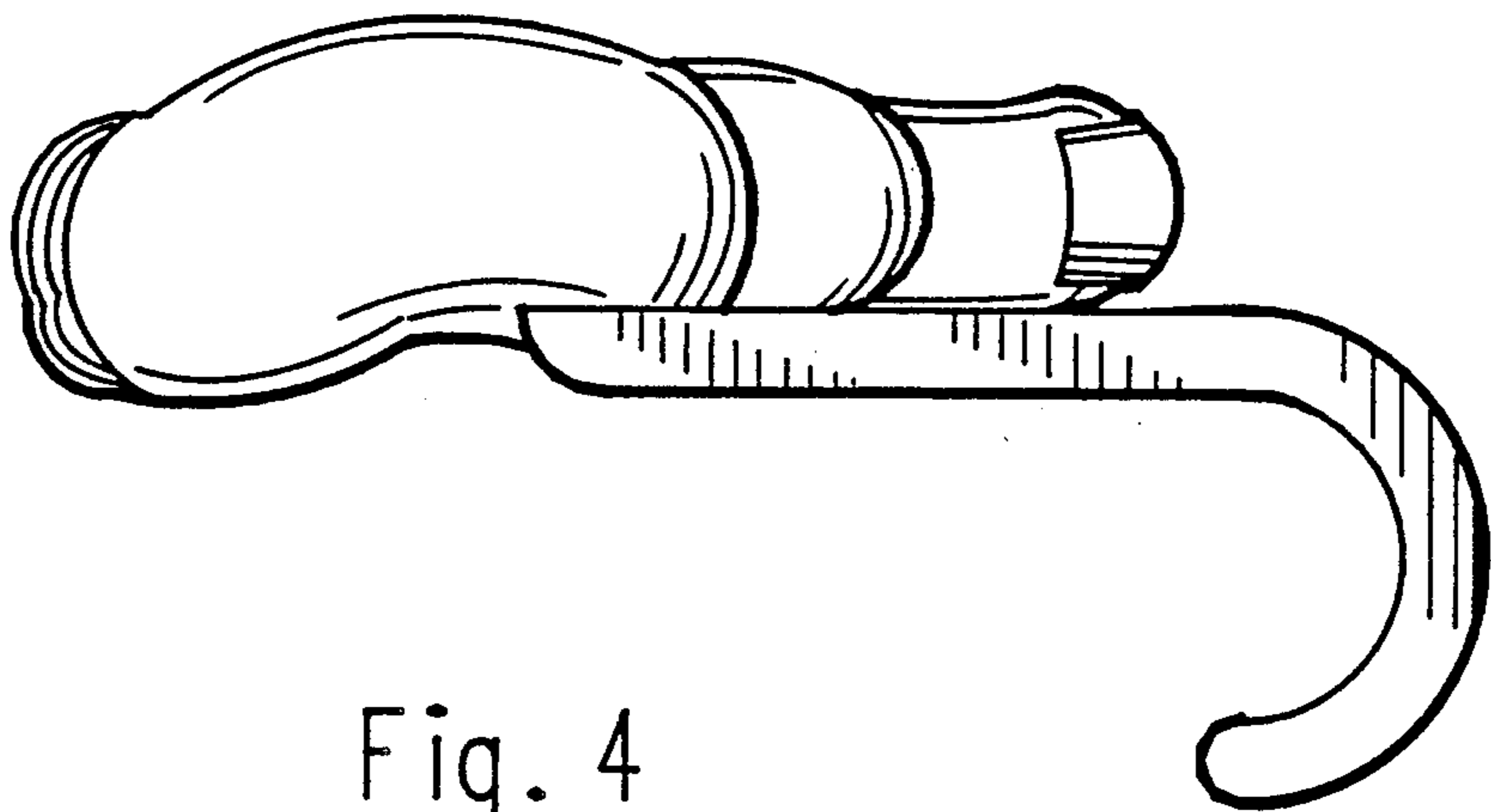


Fig. 4

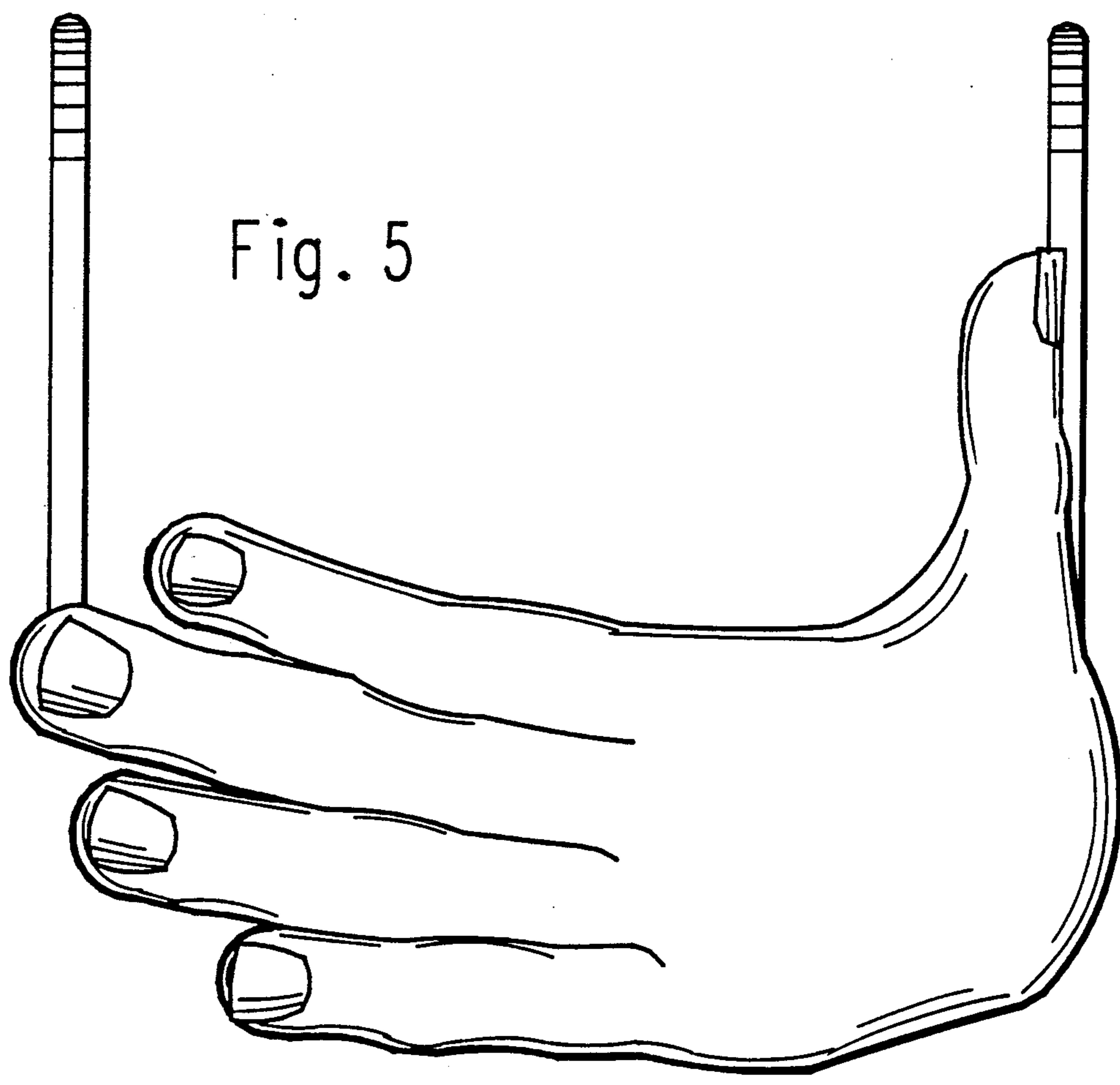


Fig. 5

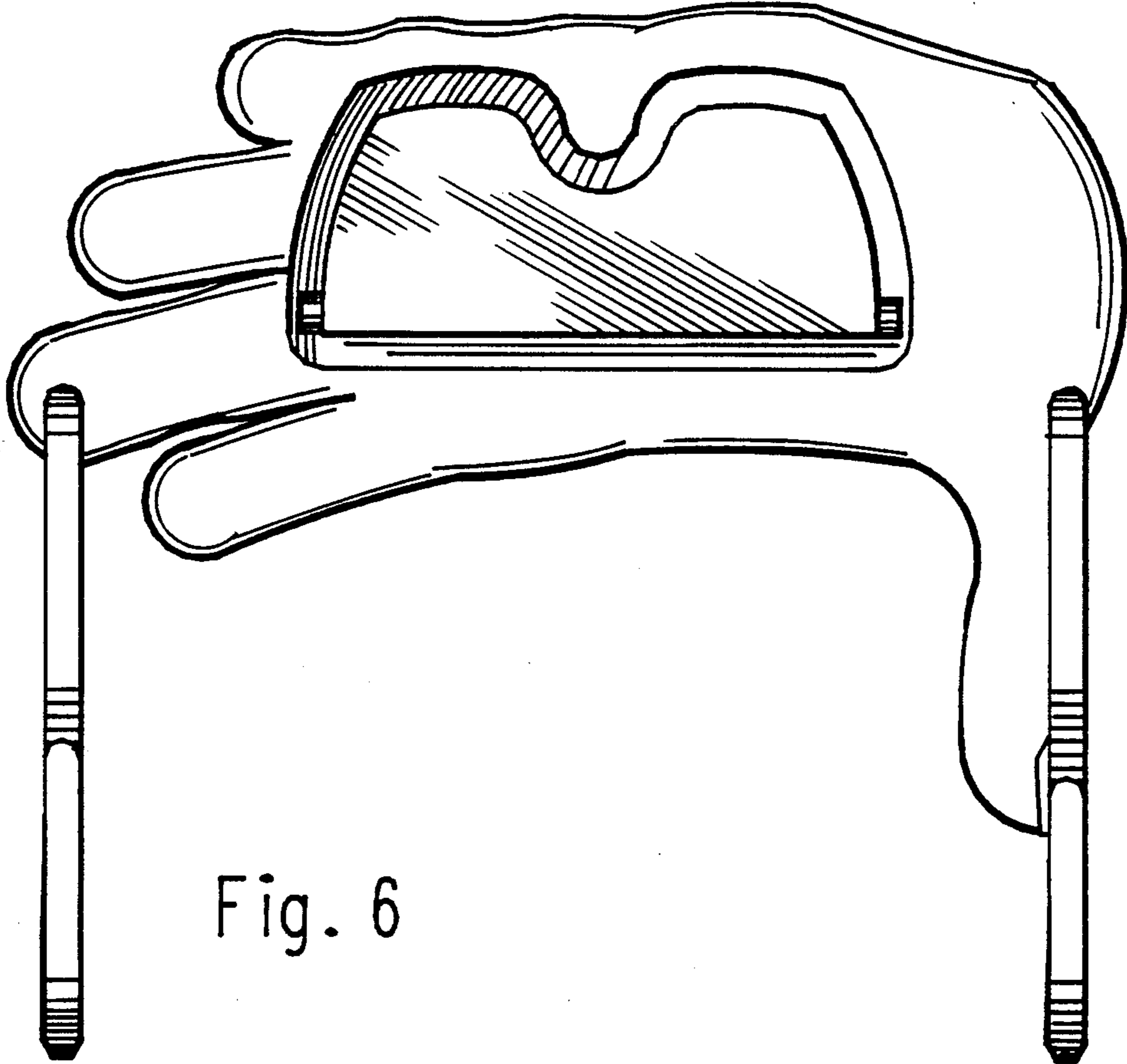


Fig. 6

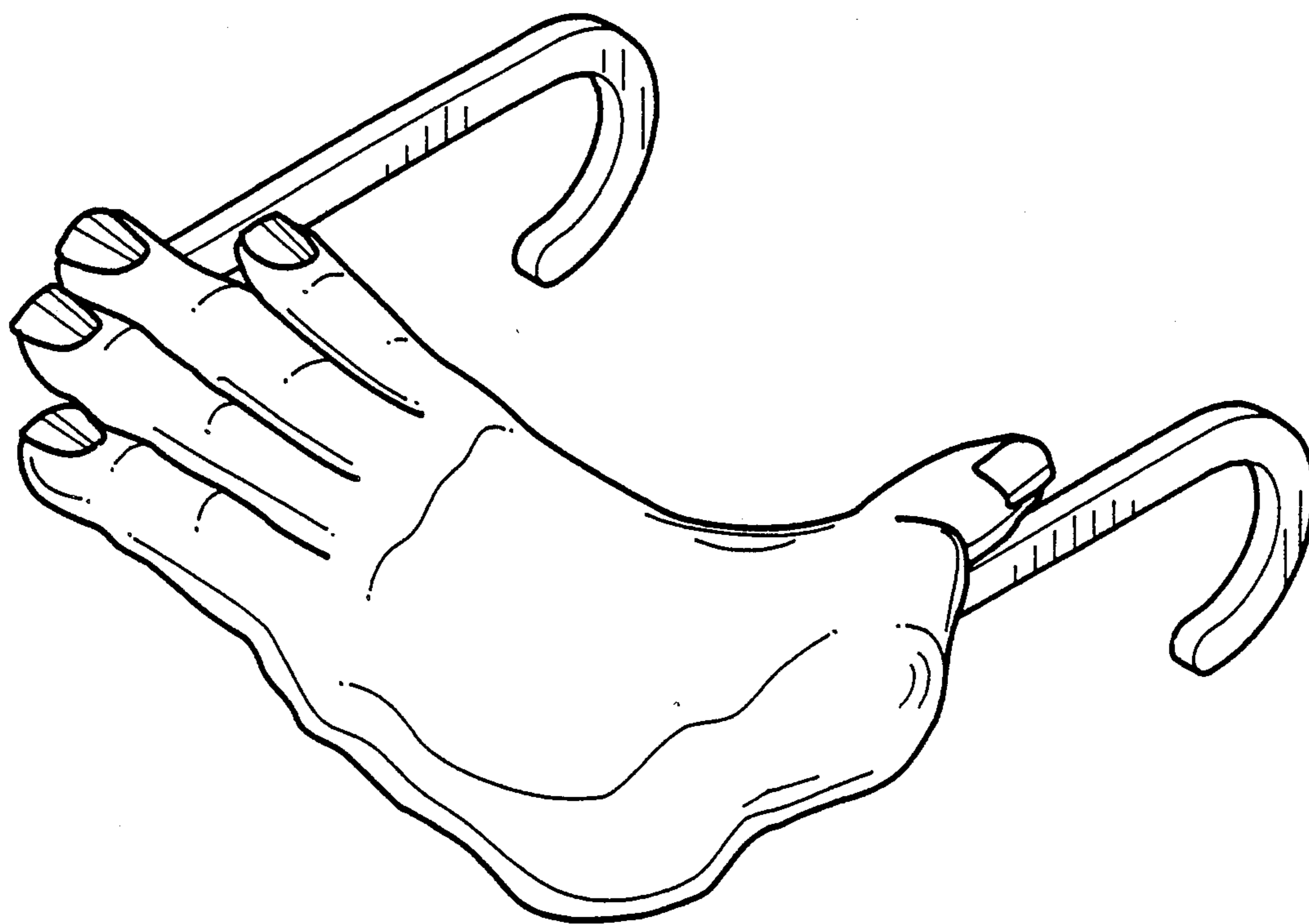


Fig. 7