

[54] **BOAT LAUNCHING DOLLY**

[76] **Inventor: Wayne E. Harms, 2252 I $\frac{1}{2}$ Rd., Grand Junction, Colo. 81502**

[**] **Term: 14 Years**

[21] **Appl. No.: 251,877**

[22] **Filed: Oct. 3, 1988**

[52] **U.S. Cl. D34/28**

[58] **Field of Search D34/23, 24; 114/344; 280/141**

[56] **References Cited**

U.S. PATENT DOCUMENTS

2,660,443	3/1951	Miller	280/414.1
2,691,534	10/1954	Sampsell	280/414.1
2,700,480	11/1952	Triflett	280/414.1
4,681,334	7/1987	O'Brien	D34/24

Primary Examiner—Wallace R. Burke
Assistant Examiner—H. Baynham
Attorney, Agent, or Firm—Rudolph L. Lowell

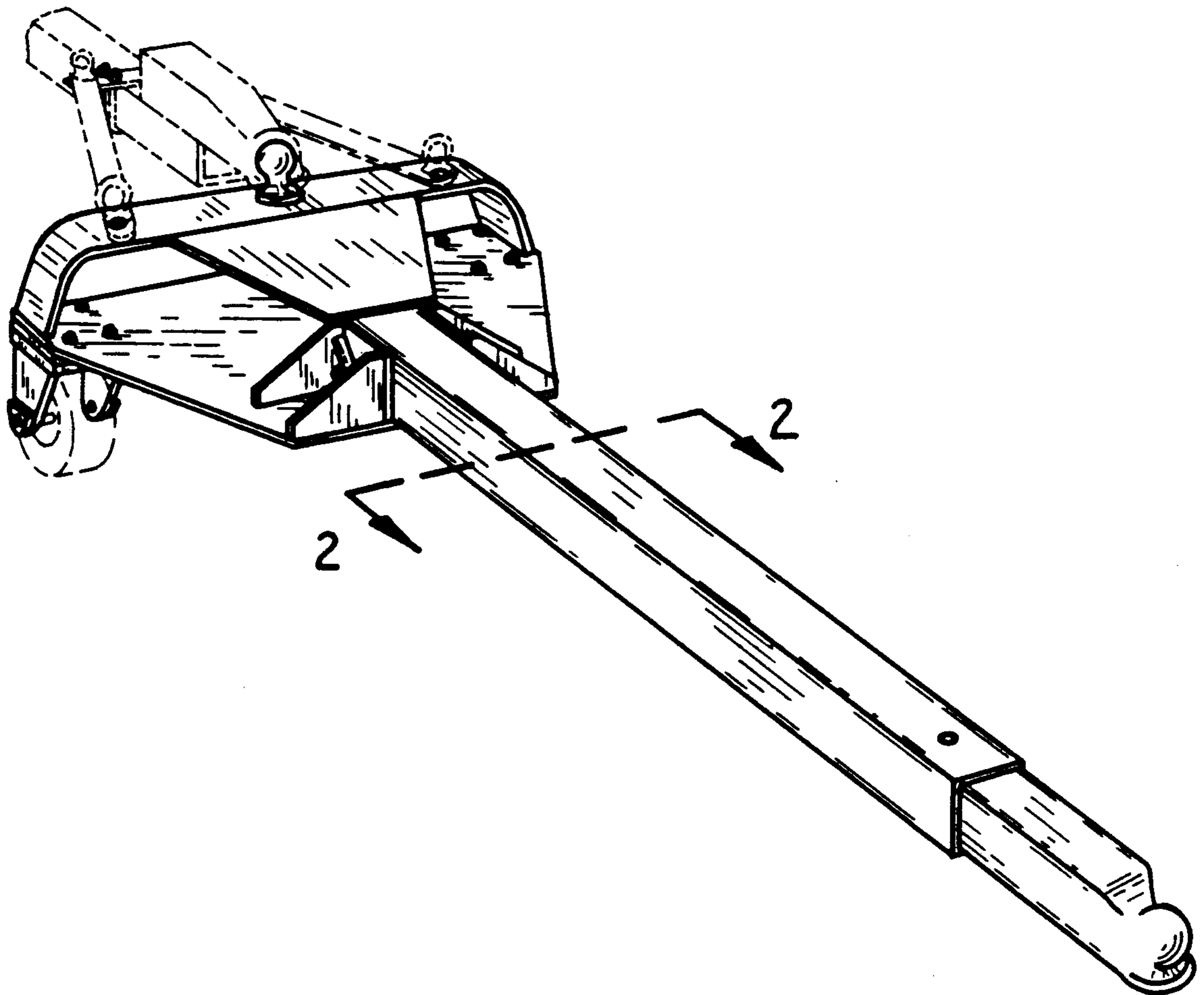
[57] **CLAIM**

The ornamental design for a boat launching dolly, as shown.

DESCRIPTION

FIG. 1 is a front perspective view of a boat launching dolly showing my new design;
FIG. 2 is a sectional view on line 2—2 in FIG. 1;
FIG. 3 is a side elevational view thereof;
FIG. 4 is a top plan view thereof;
FIG. 5 is a front elevational view thereof;
FIG. 6 is a rear elevational view thereof; and
FIG. 7 is a bottom plan view thereof.

The broken line showing of wheels and attachments is for illustrative purposes only and forms no part of the claimed design.



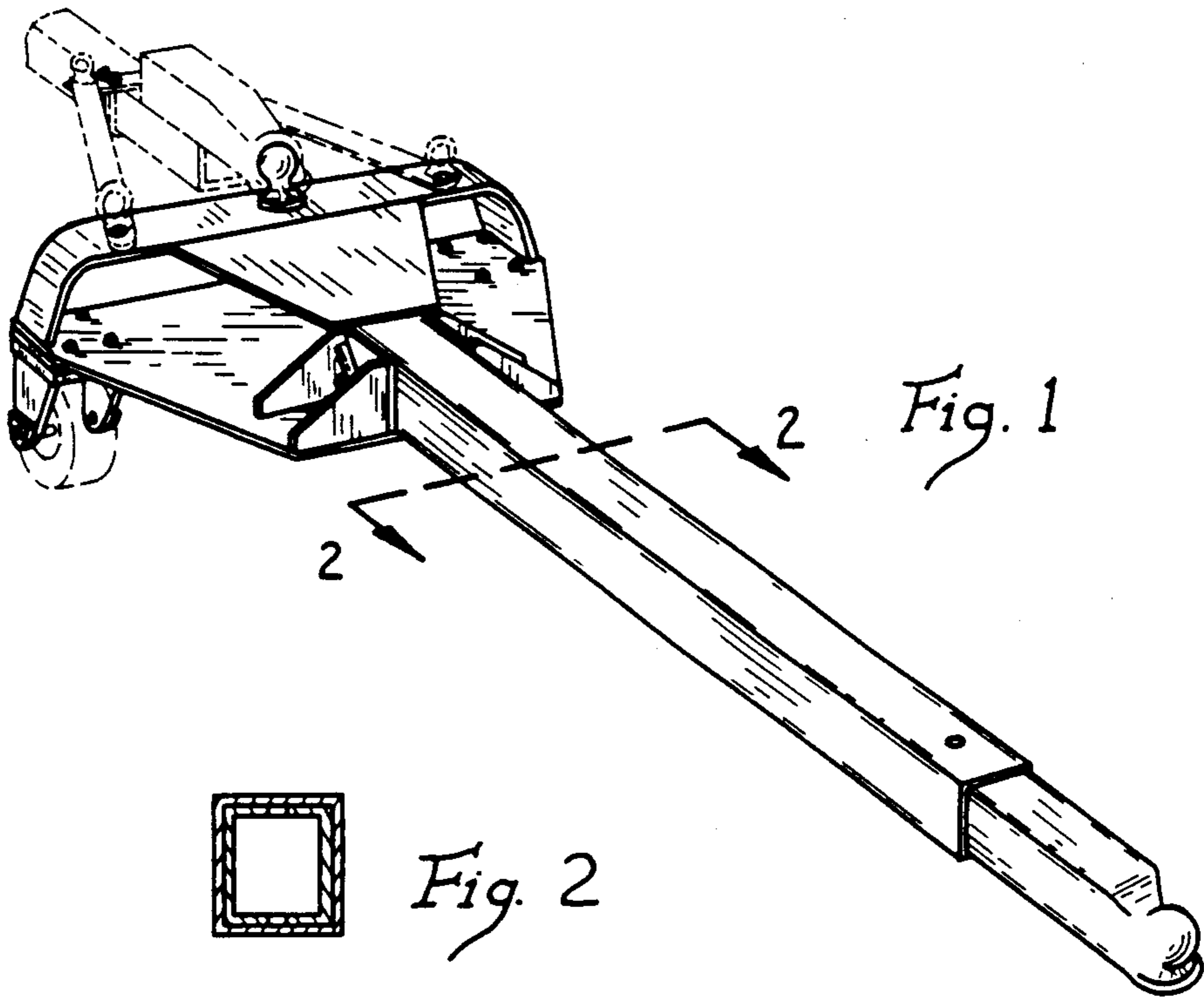


Fig. 3

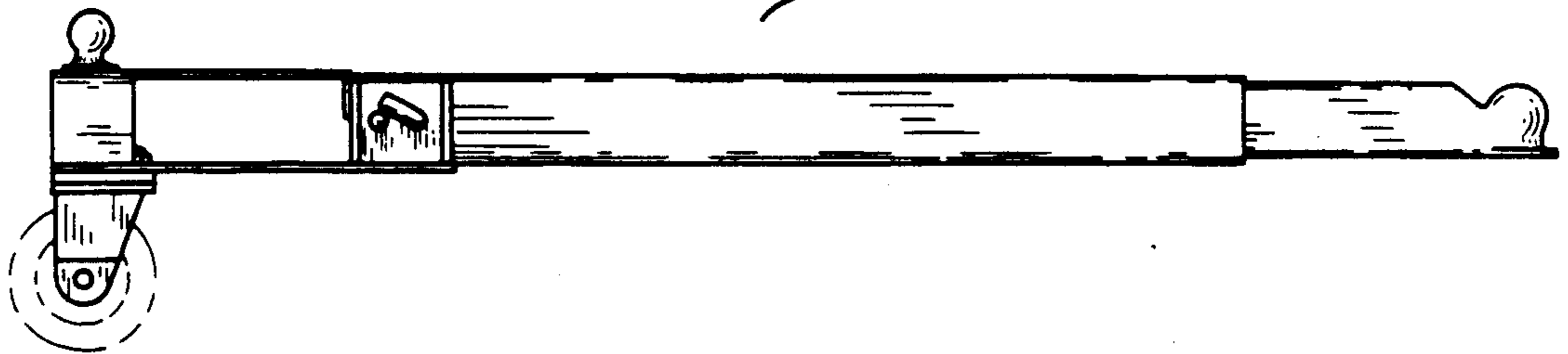


Fig. 4

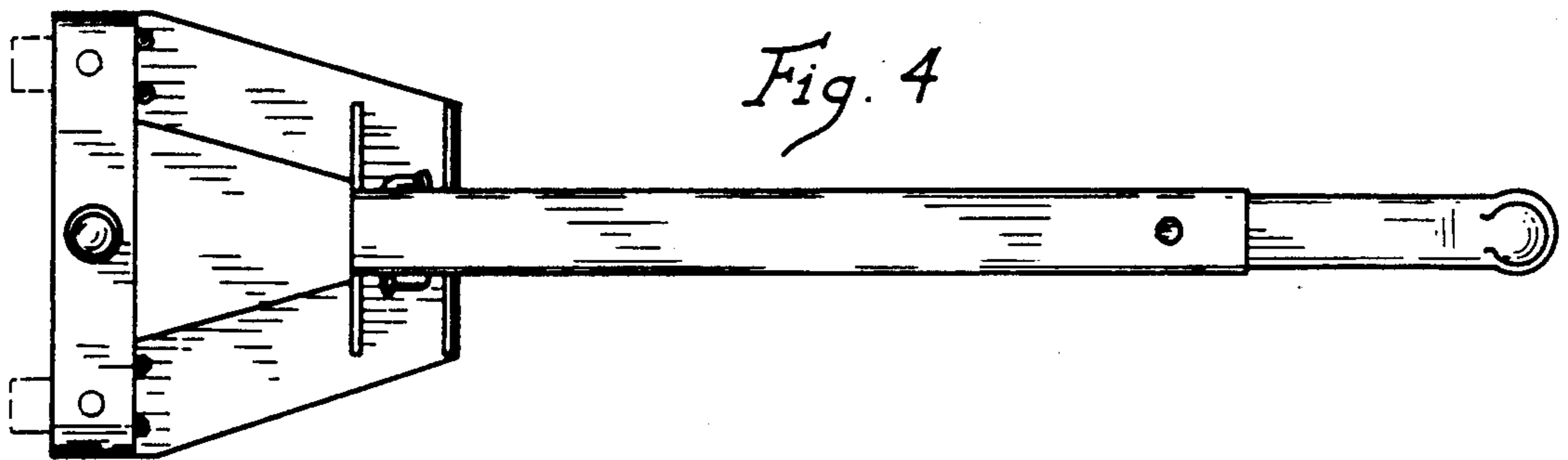


Fig. 5

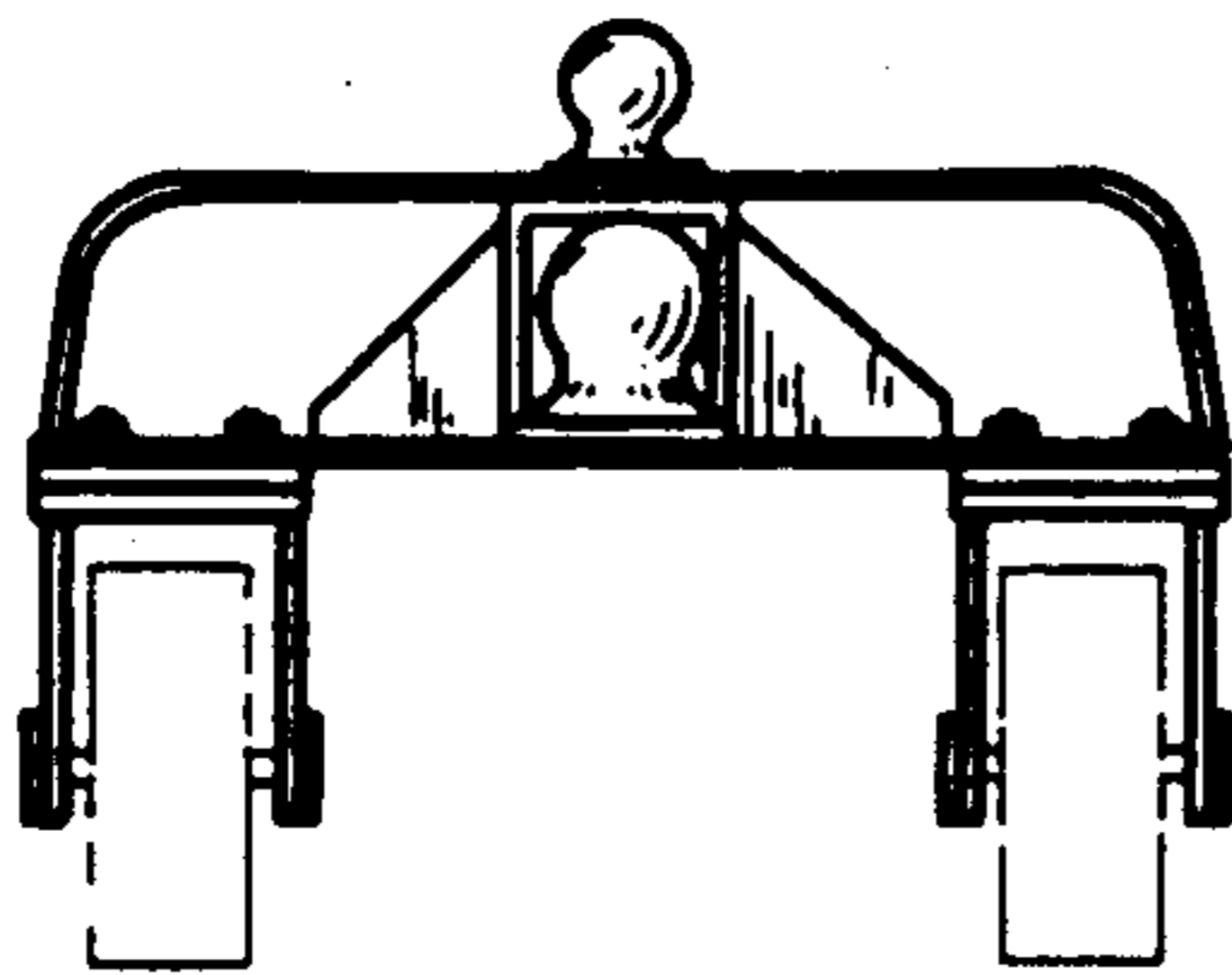


Fig. 6

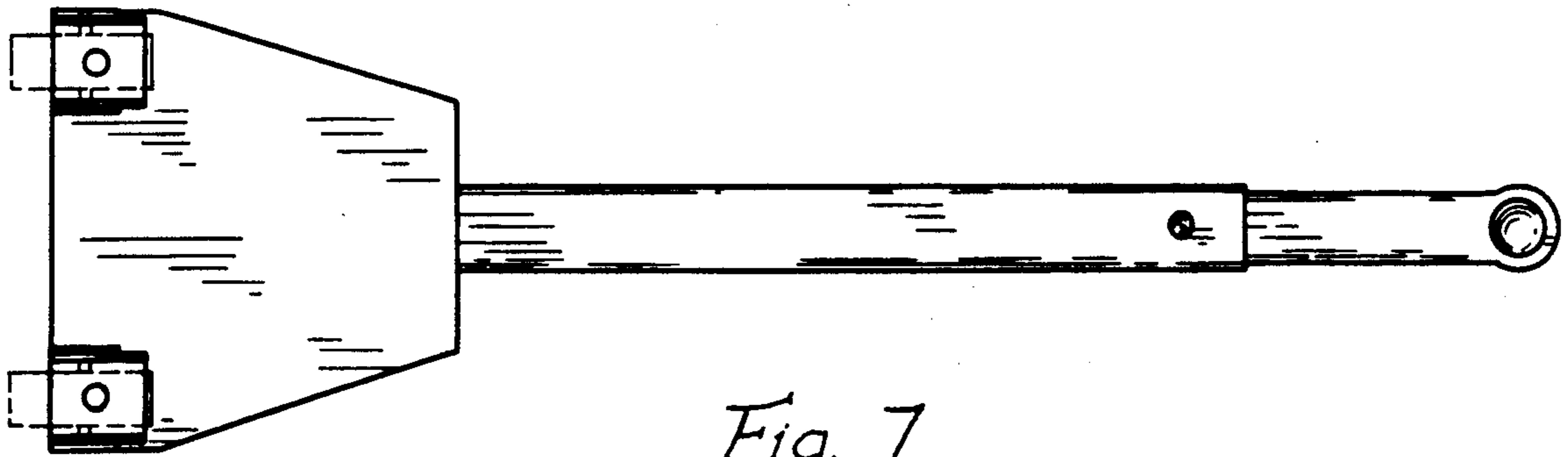
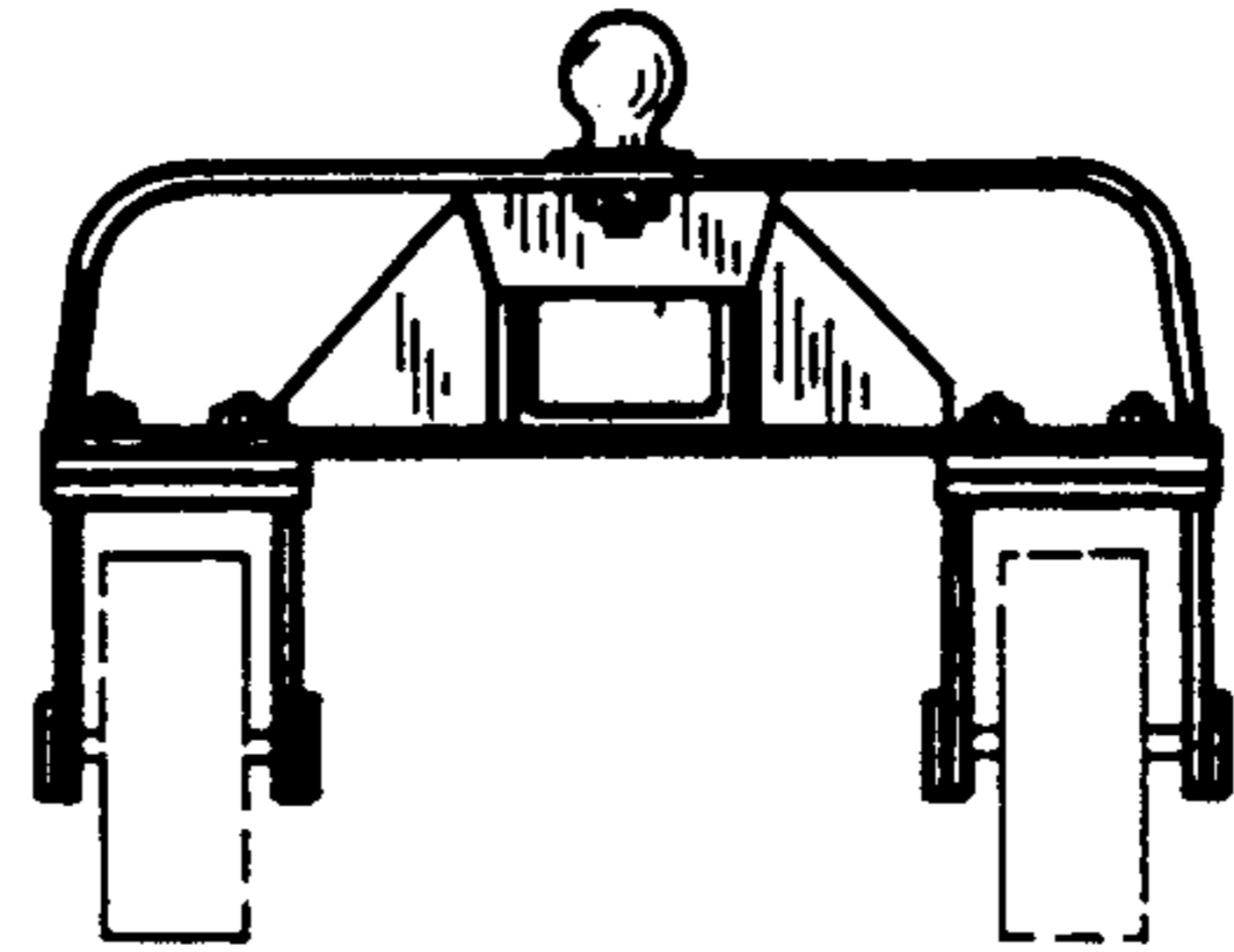


Fig. 7