

[54] CARTRIDGE FOR AN IRON STAND AND WATER TANK UNIT

[75] Inventor: Pierre Paulin, Paris, France

[73] Assignee: Calor S.A., Lyons, France

[**] Term: 14 Years

[21] Appl. No.: 220,466

[22] Filed: Jul. 18, 1988

[30] Foreign Application Priority Data

Jan. 25, 1988 [FR] France 88 0431

[52] U.S. Cl. D32/71; D23/209

[58] Field of Search D32/69, 71, 73; D14/114, 121; 38/94, 96, 141-142; D23/209; 210/169, 416.2-416.3, 470

[56] References Cited

U.S. PATENT DOCUMENTS

D. 274,731 7/1984 Girardi et al. D14/121

D. 286,162 10/1986 Nibley et al. D14/121 X
2,387,724 10/1945 Elman et al. D32/69 X
3,525,435 8/1970 Conner, Jr. 210/169

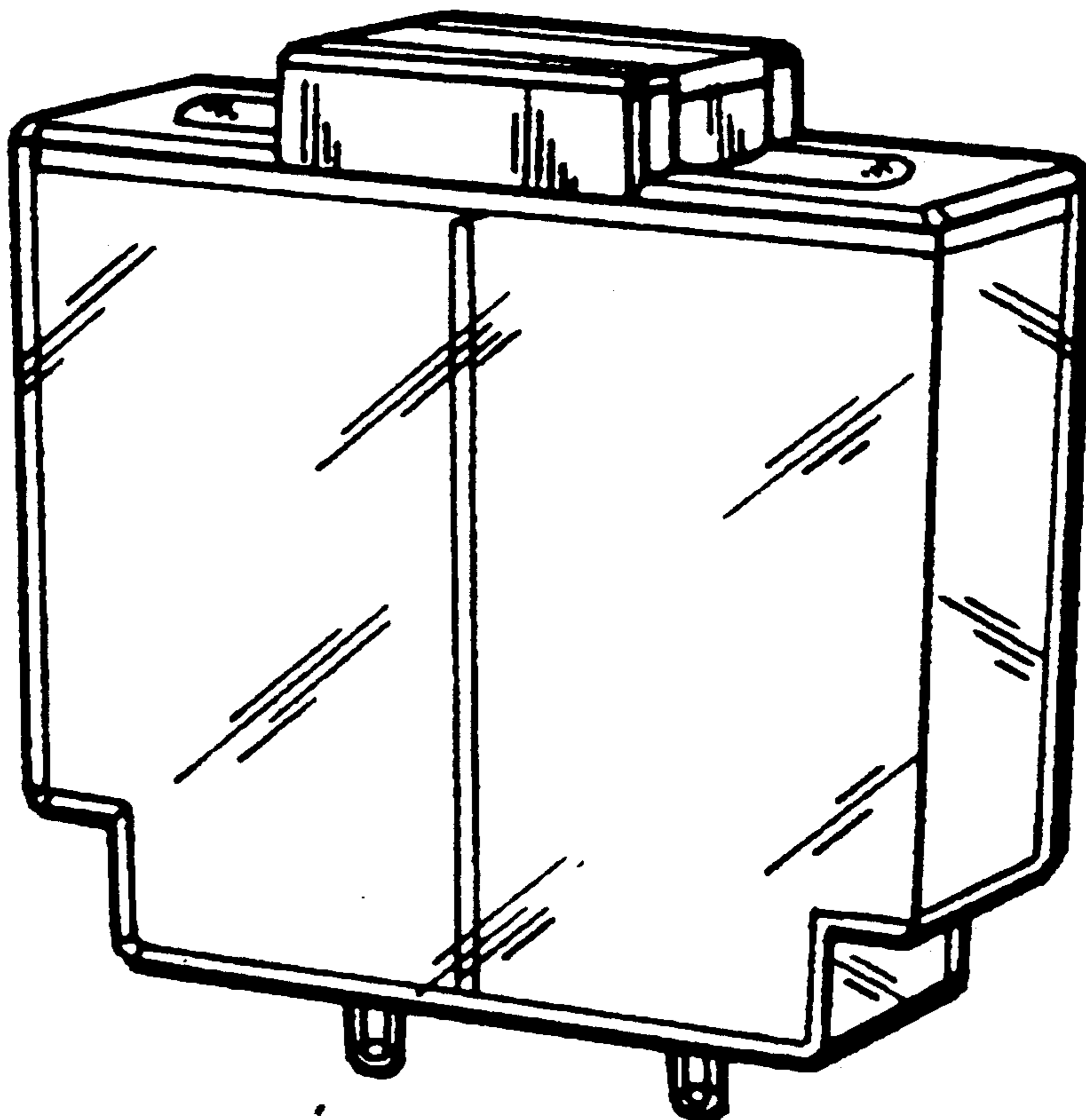
Primary Examiner—Wallace R. Burke
Assistant Examiner—Lavone D. Tabor
Attorney, Agent, or Firm—Young & Thompson

[57] CLAIM

The ornamental design for a cartridge for an iron stand and water tank unit, as shown and described.

DESCRIPTION

FIG. 1 is a front elevational view of a cartridge for an iron stand and water tank unit showing my new design; FIG. 2 is a rear elevational view thereof; FIG. 3 is a side elevational view thereof; FIG. 4 is an elevational view of the opposite side thereof; FIG. 5 is a top plan view thereof; FIG. 6 is a bottom plan view thereof; and FIG. 7 is a three quarter perspective view thereof.



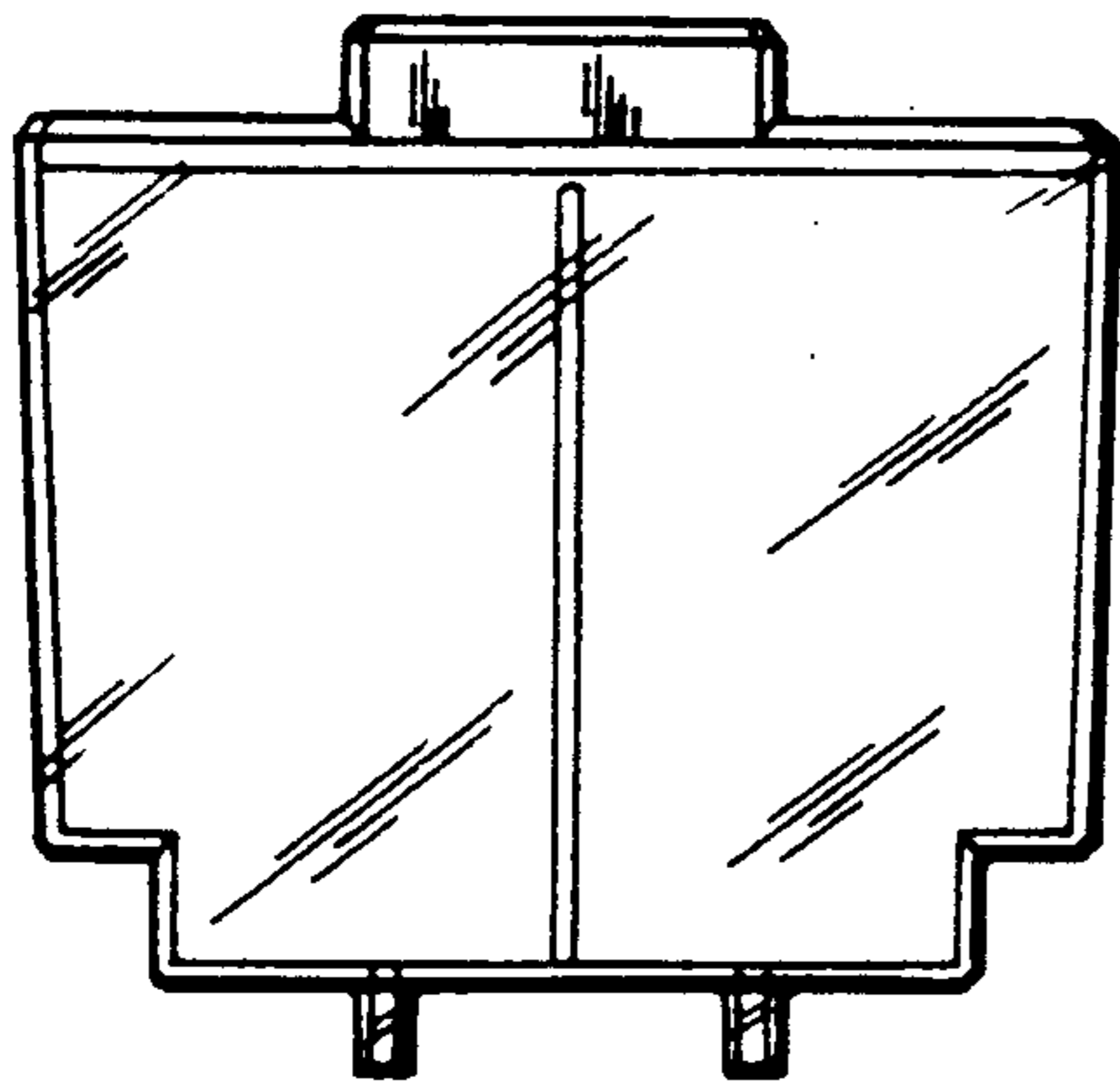


FIG. 1

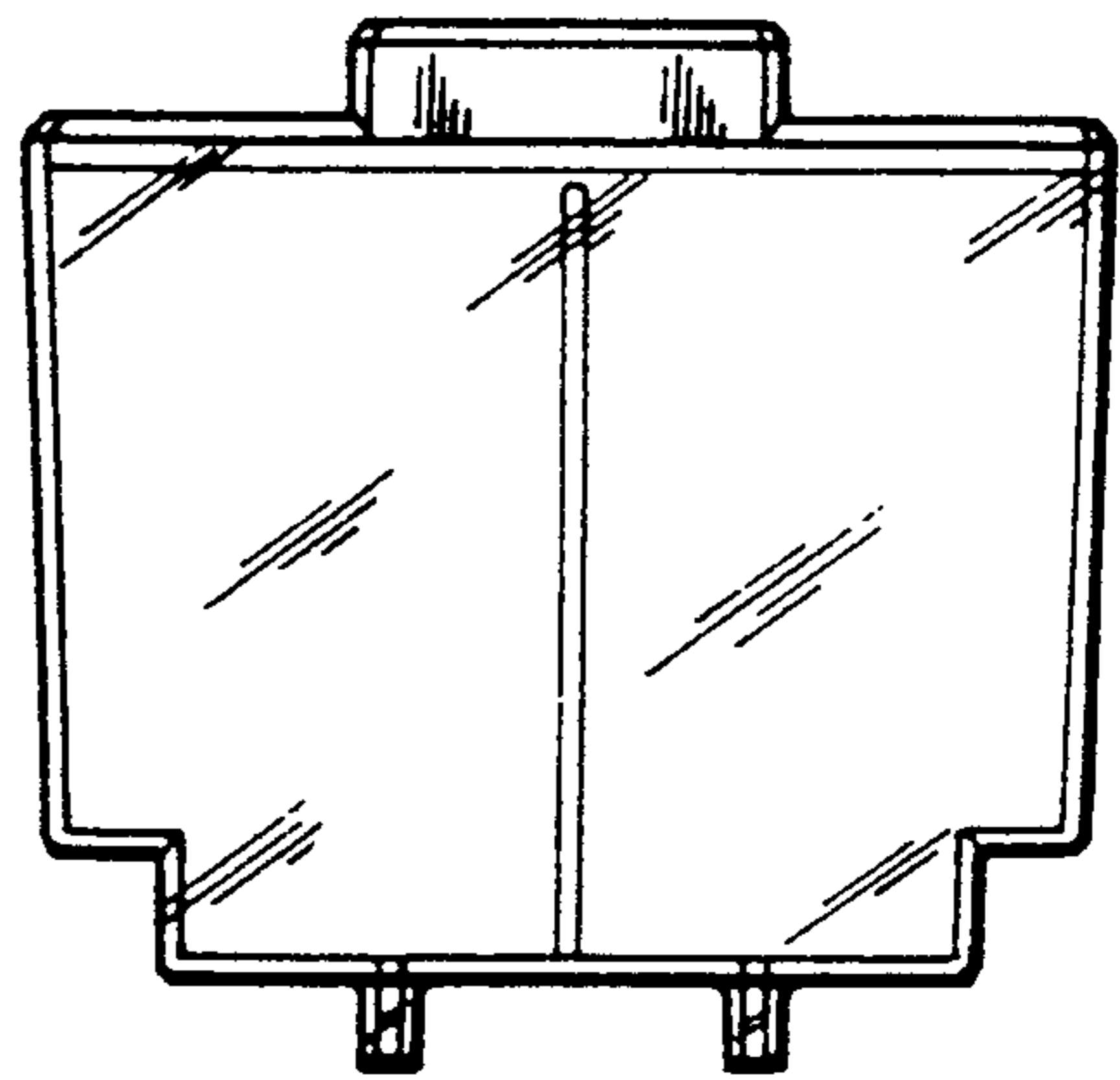


FIG. 2

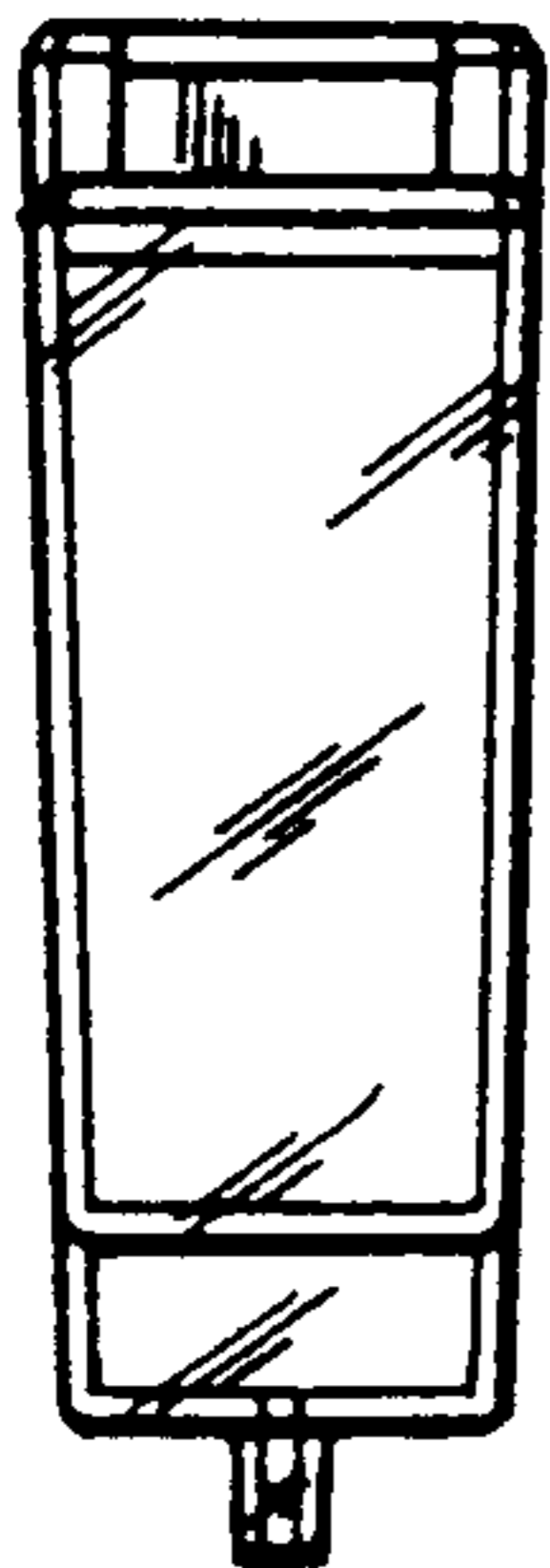


FIG. 3

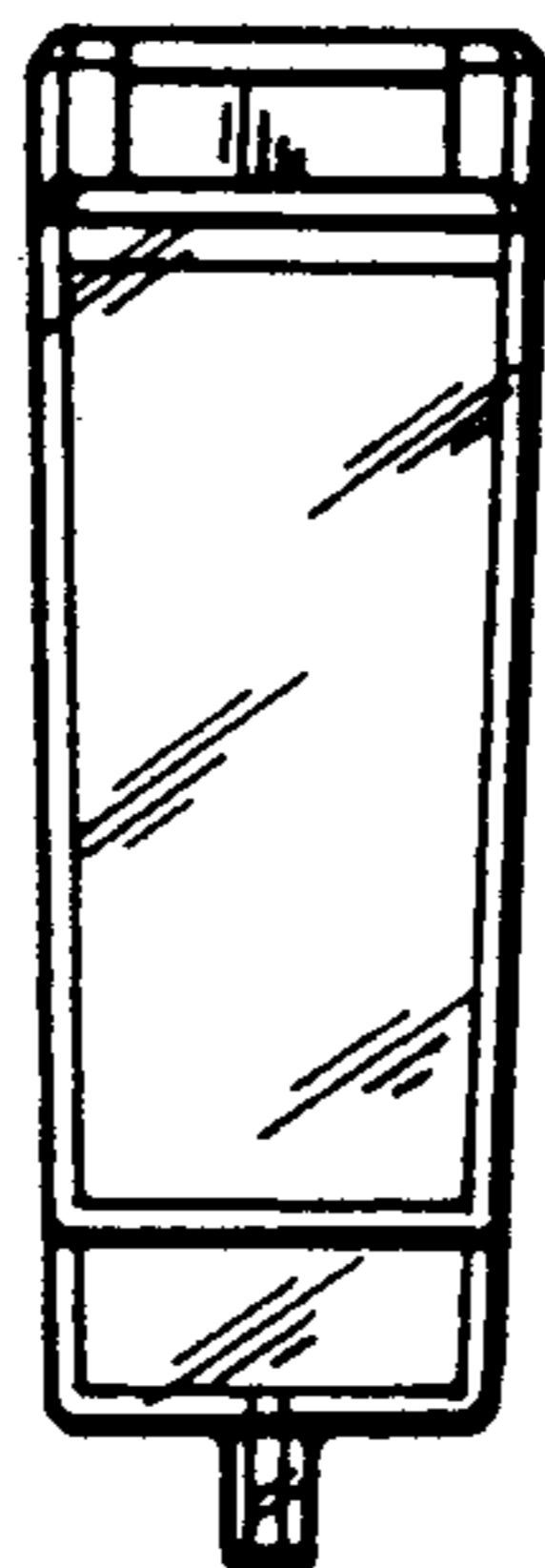


FIG. 4

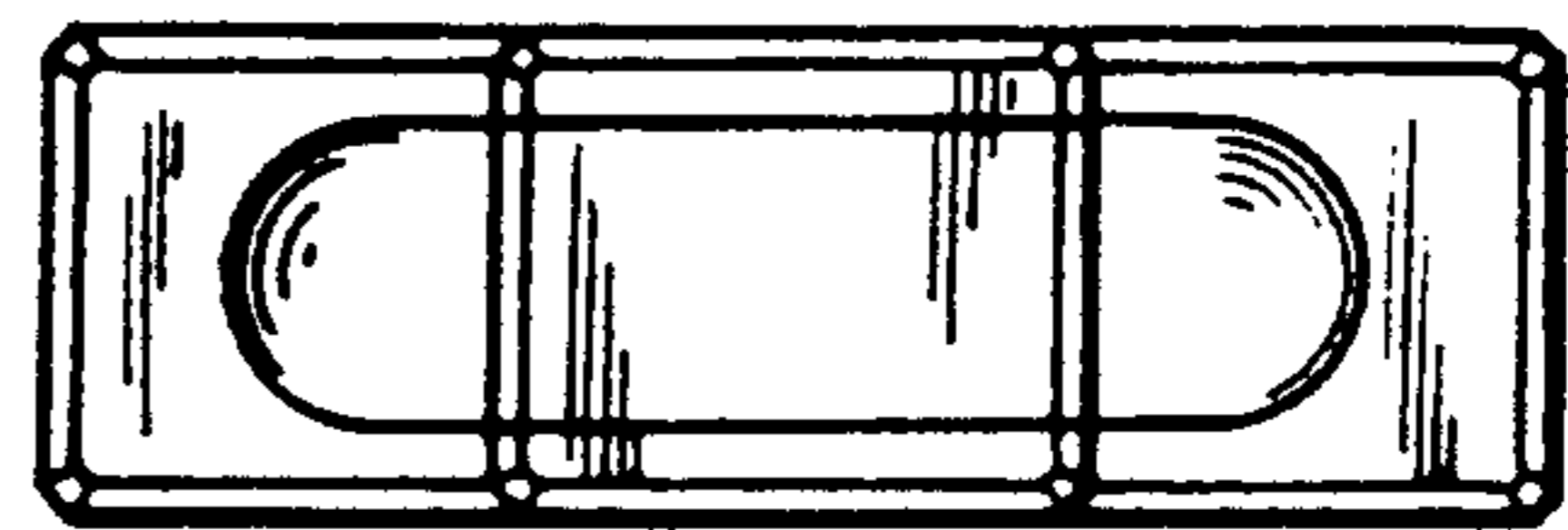


FIG. 5

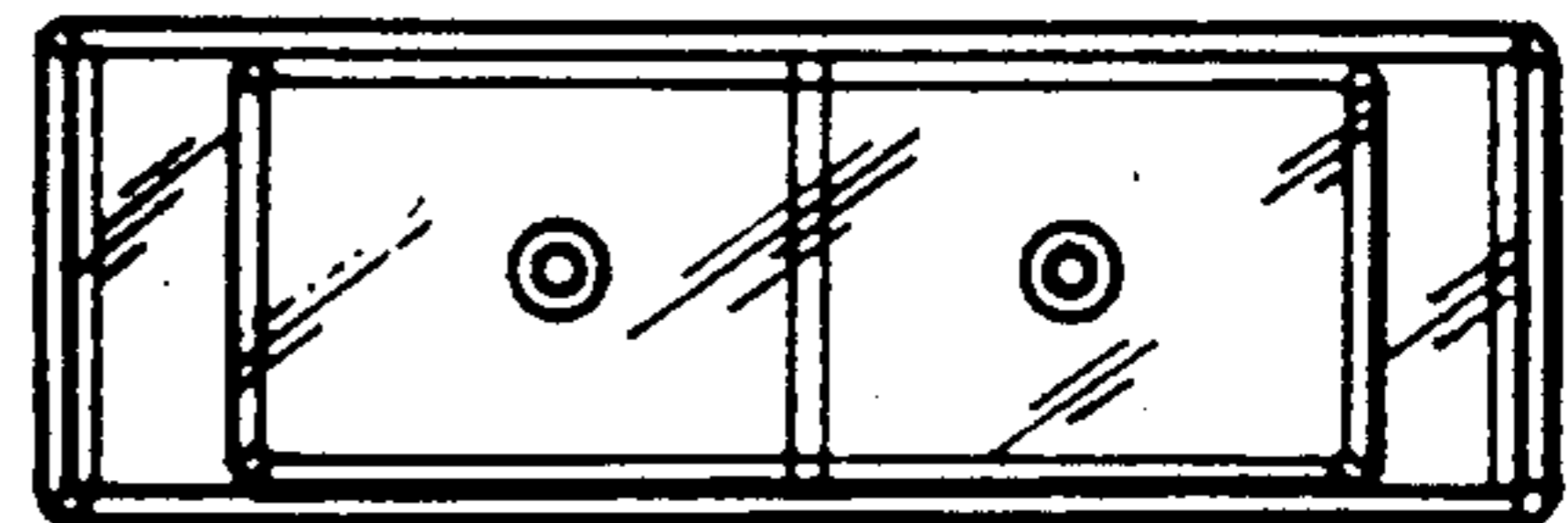


FIG. 6

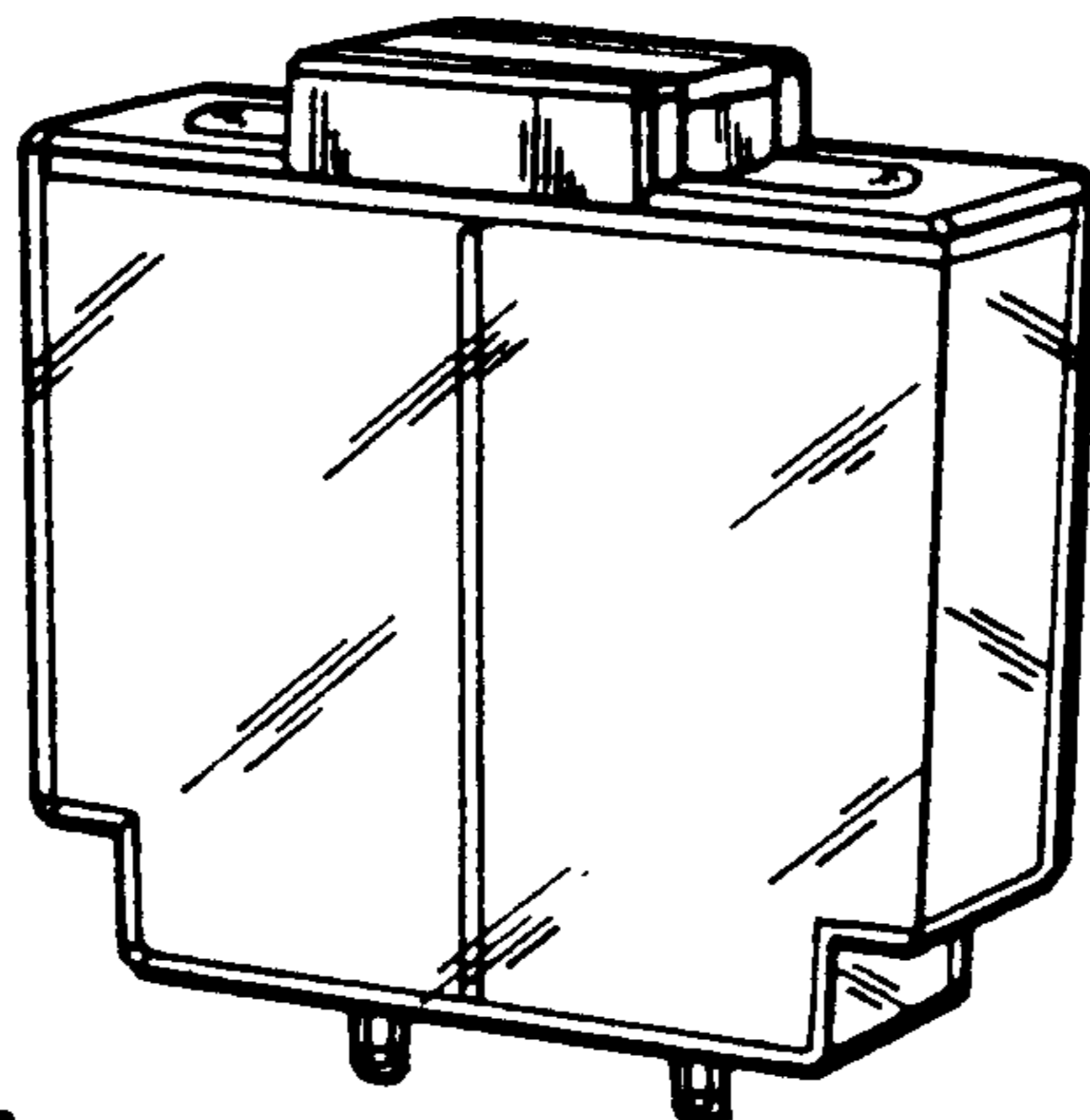


FIG. 7