

[54] BASKET FOR A SWEEPER, OR THE LIKE

[75] Inventors: Robert C. Berfield, Jersey Shore; Craig Seasholtz, Avis, both of Pa.

[73] Assignee: Shop-Vac Corporation, Williamsport, Pa.

[**] Term: 14 Years

[21] Appl. No.: 940,640

[22] Filed: Dec. 12, 1986

[52] U.S. Cl. D32/25

[58] Field of Search D6/512, 553, 567, 513; D19/75, 86, 90, 91; D34/5-6; D32/25, 30, 31, 39; 211/86, 88, 113, 126

[56] References Cited

U.S. PATENT DOCUMENTS

- D. 281,614 12/1985 Carpenter et al. D19/90
- D. 294,992 3/1988 Bouge D34/6
- D. 296,488 6/1988 Nelson D34/6
- 1,888,127 11/1932 Hearne D34/6

FOREIGN PATENT DOCUMENTS

- 559678 12/1973 Switzerland D34/6

Primary Examiner—A. Hugo Word
Assistant Examiner—Ruth McInroy
Attorney, Agent, or Firm—Ostrolenk, Faber, Gerb & Soffen

[57] CLAIM

The ornamental design for a basket for a sweeper, or the like, as shown and described.

DESCRIPTION

FIG. 1 is a front and left side perspective view of a basket for a sweeper, or the like, showing our new design;

FIG. 2 is a rear and right side perspective view thereof;

FIG. 3 is a bottom plan view thereof;

FIG. 4 is a top plan view thereof;

FIG. 5 is a rear elevational view thereof;

FIG. 6 is a front elevational view thereof;

FIG. 7 is a right side elevational view thereof, the left side being a mirror image; and

FIG. 8 is a perspective view thereof, the sweeper shown in broken lines is for illustrative purposes only and forms no part of the claimed design.

The sweeper in FIG. 9 is shown in broken lines for illustrative purposes only and forms no part of the claimed design.

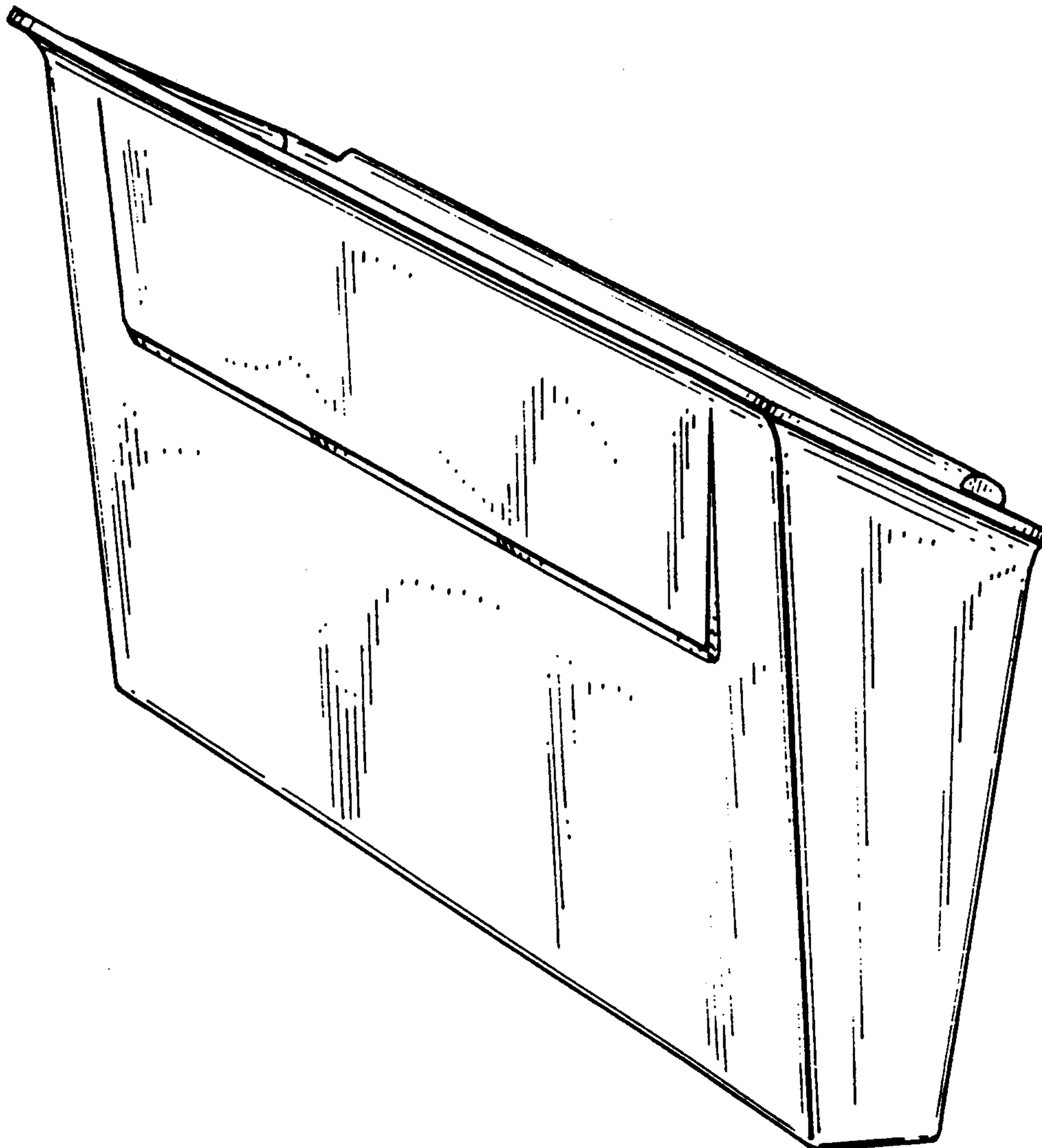


FIG. 1.

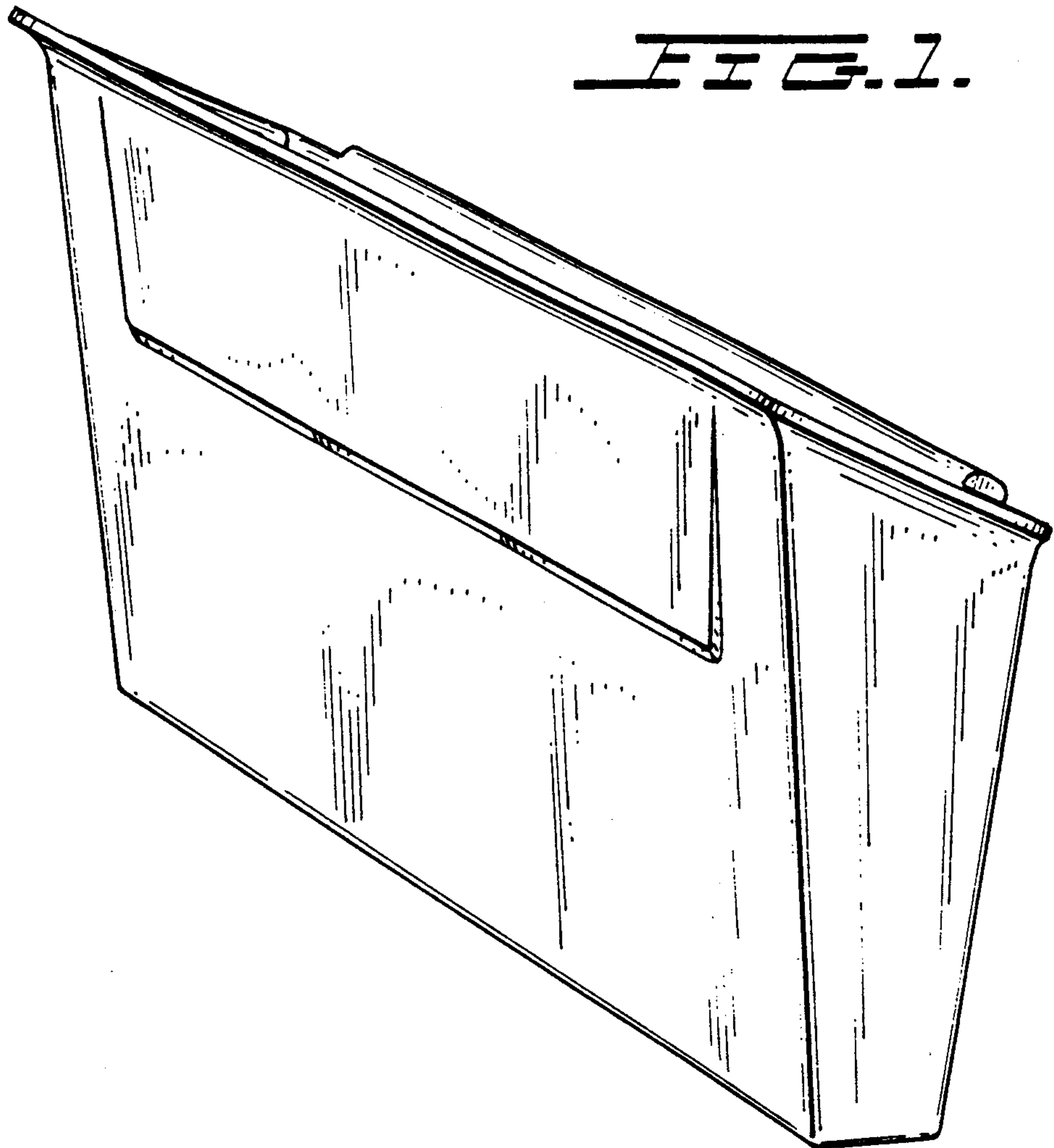


FIG. 3.

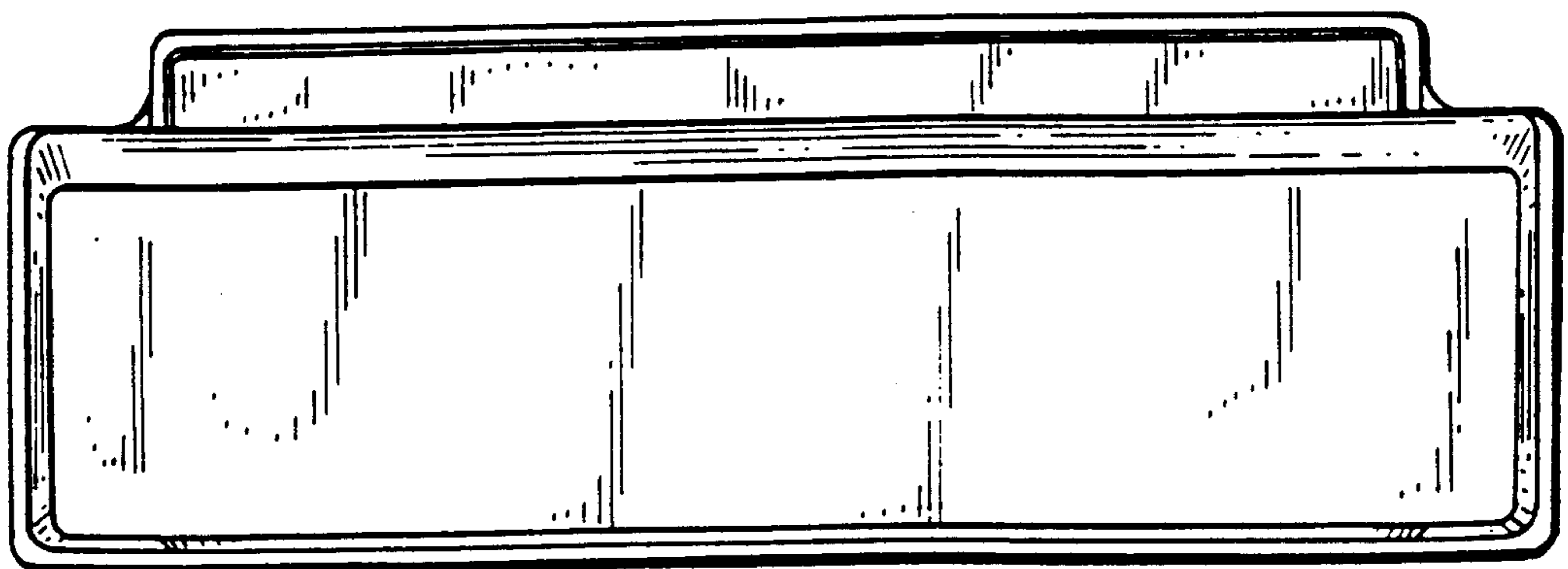


FIG. 2.

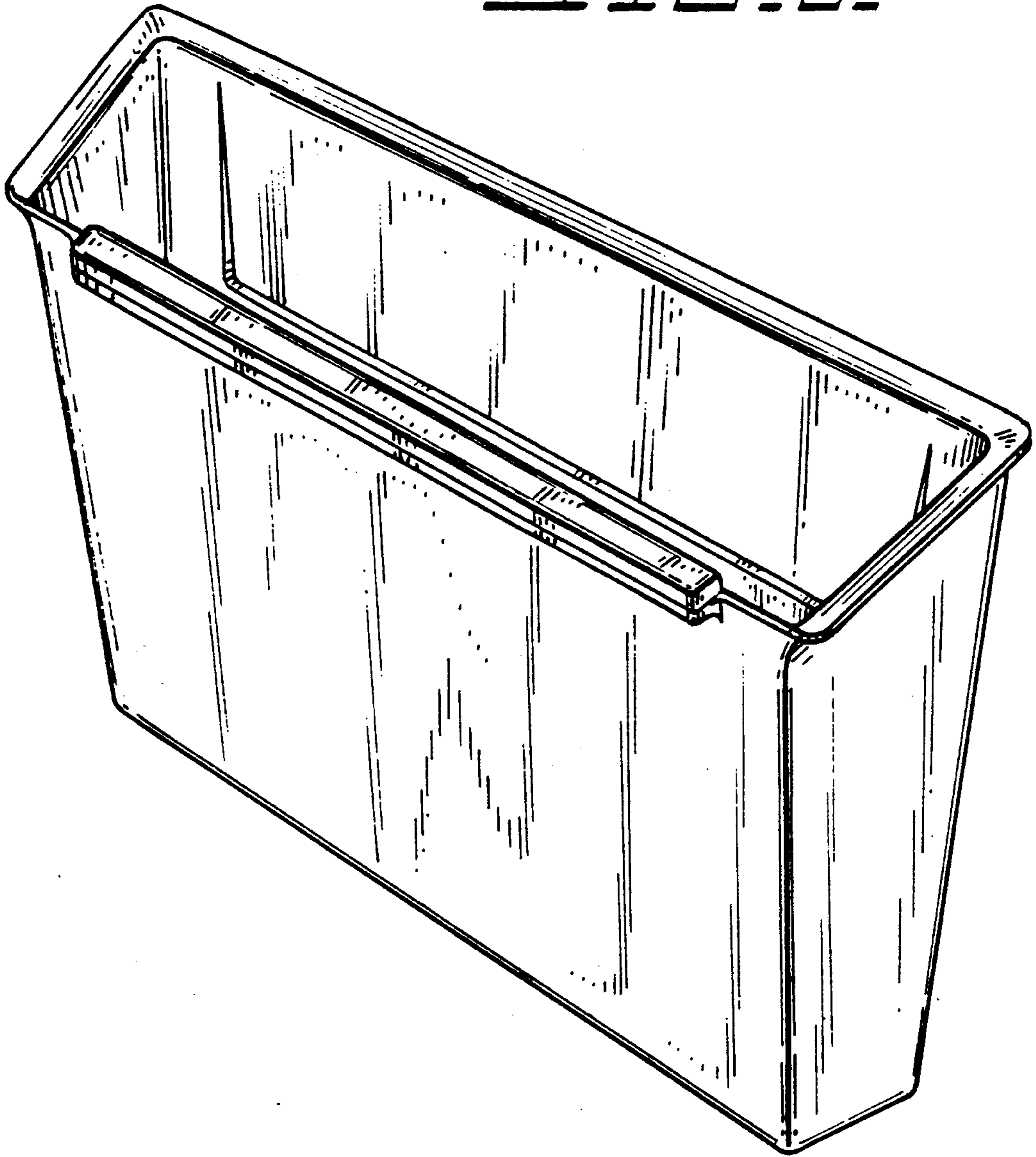


FIG. 4.

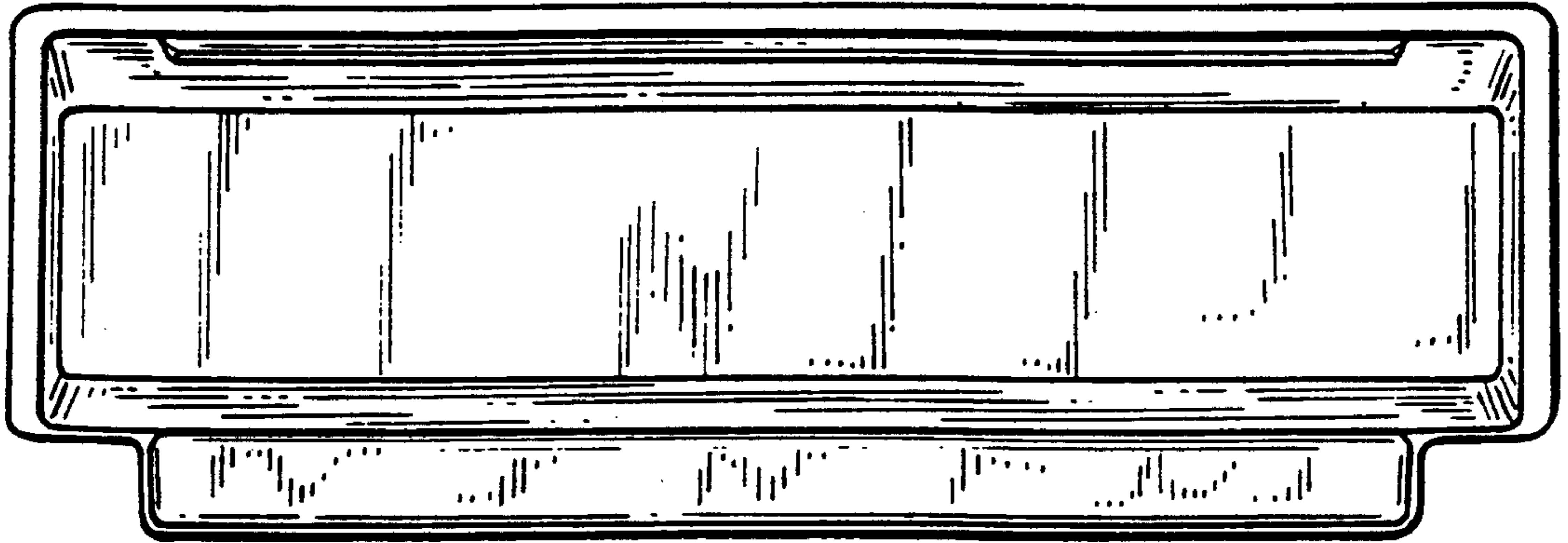


FIG. 5.

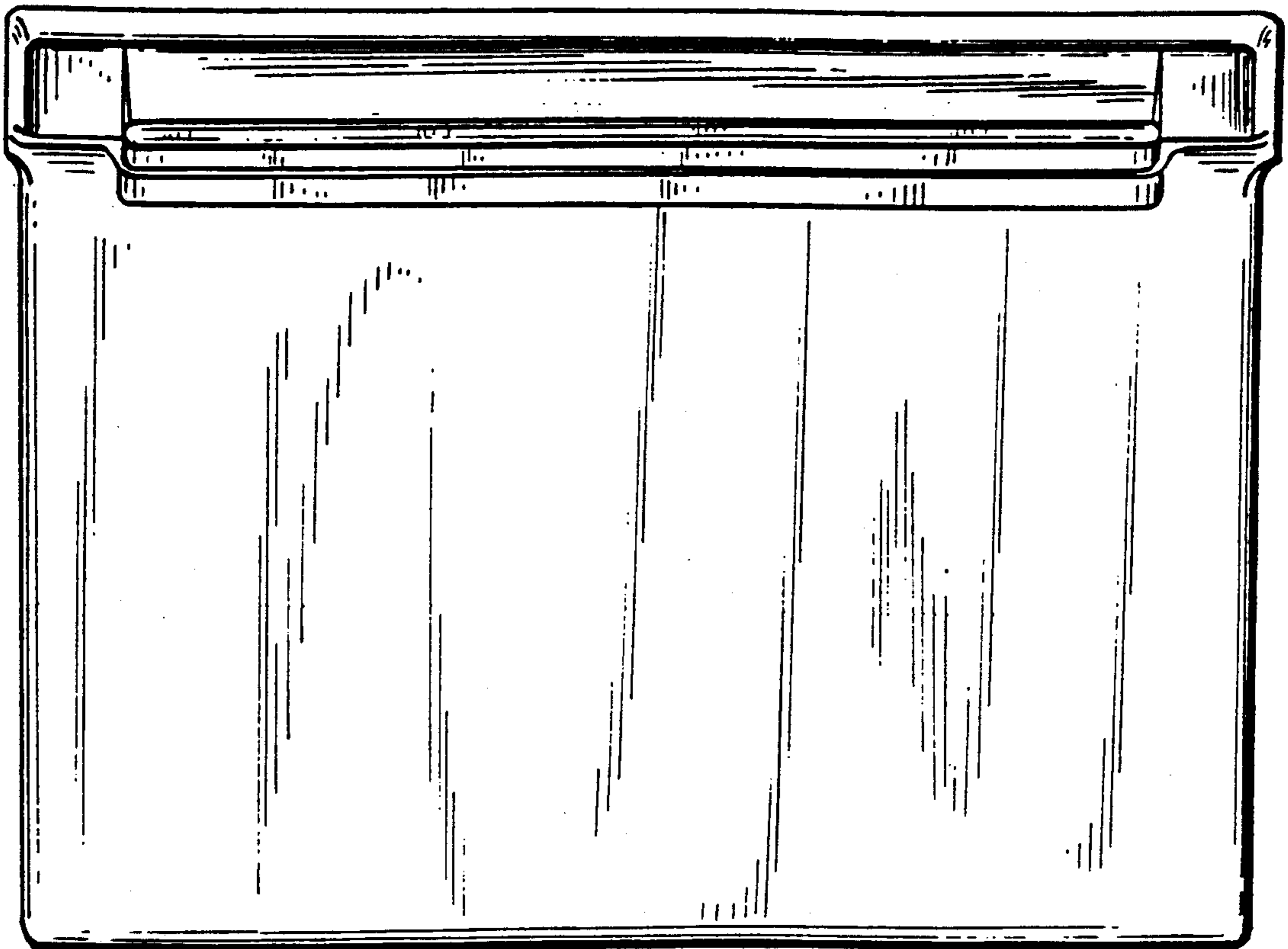


FIG. 6

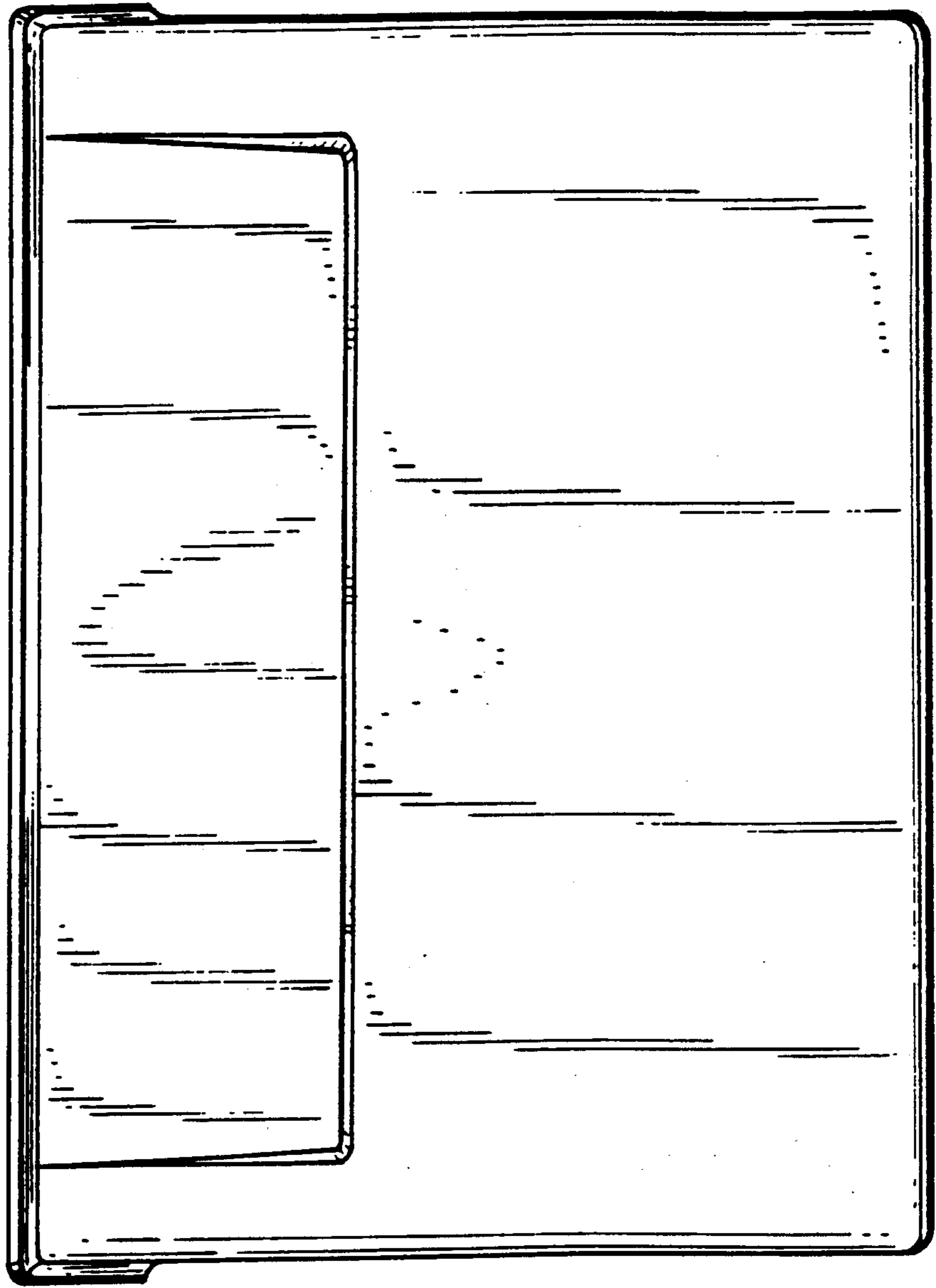


FIG. 7

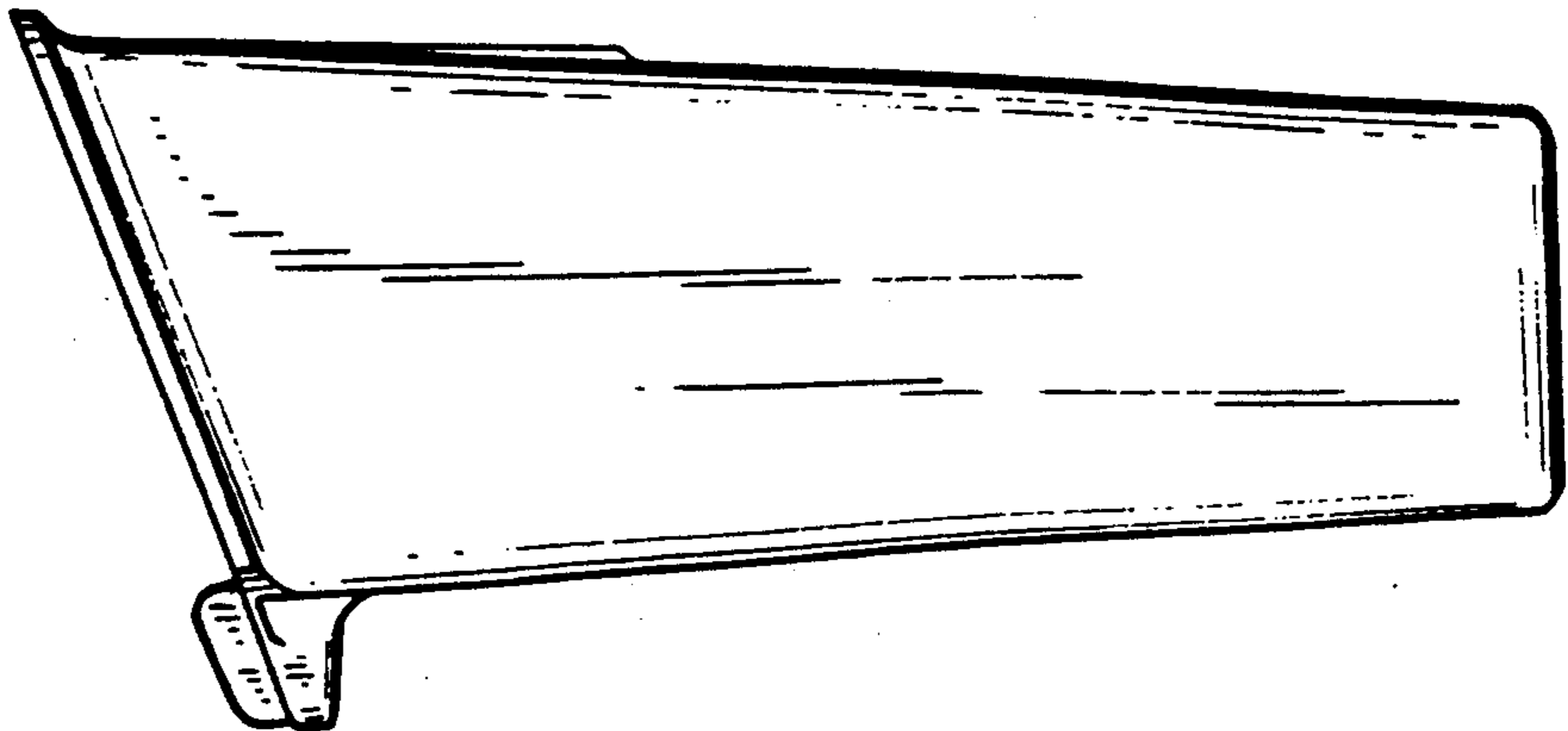


FIG. 8.

