

[54] **POOL SKIMMER**

4,743,368 5/1988 Gates 210/416.2

[76] **Inventor: Edward I. Baitz, 5 Oak Street,
Canterbury, Victoria, Australia**

Primary Examiner—A. Hugo Word
Assistant Examiner—Doris V. Coles
Attorney, Agent, or Firm—Nixon & Vanderhye

[**] **Term: 14 Years**

[57] **CLAIM**

[21] **Appl. No.: 98,672**

The ornamental design for a pool skimmer, as shown and described.

[22] **Filed: Sep. 21, 1987**

[52] **U.S. Cl. D32/25**

[58] **Field of Search D32/1, 19-20,
D32/25, 31-33; 210/169, 242.3, 513, 525, 528,
531; 15/1.7; D23/210; D8/327, 329; 4/490**

DESCRIPTION

FIG. 1 is a top, front perspective view of a pool skimmer showing my new design, with the end caps shown in an exploded position;

FIG. 2 is a top plan view with the end caps removed, the bottom plan view being substantially the same;

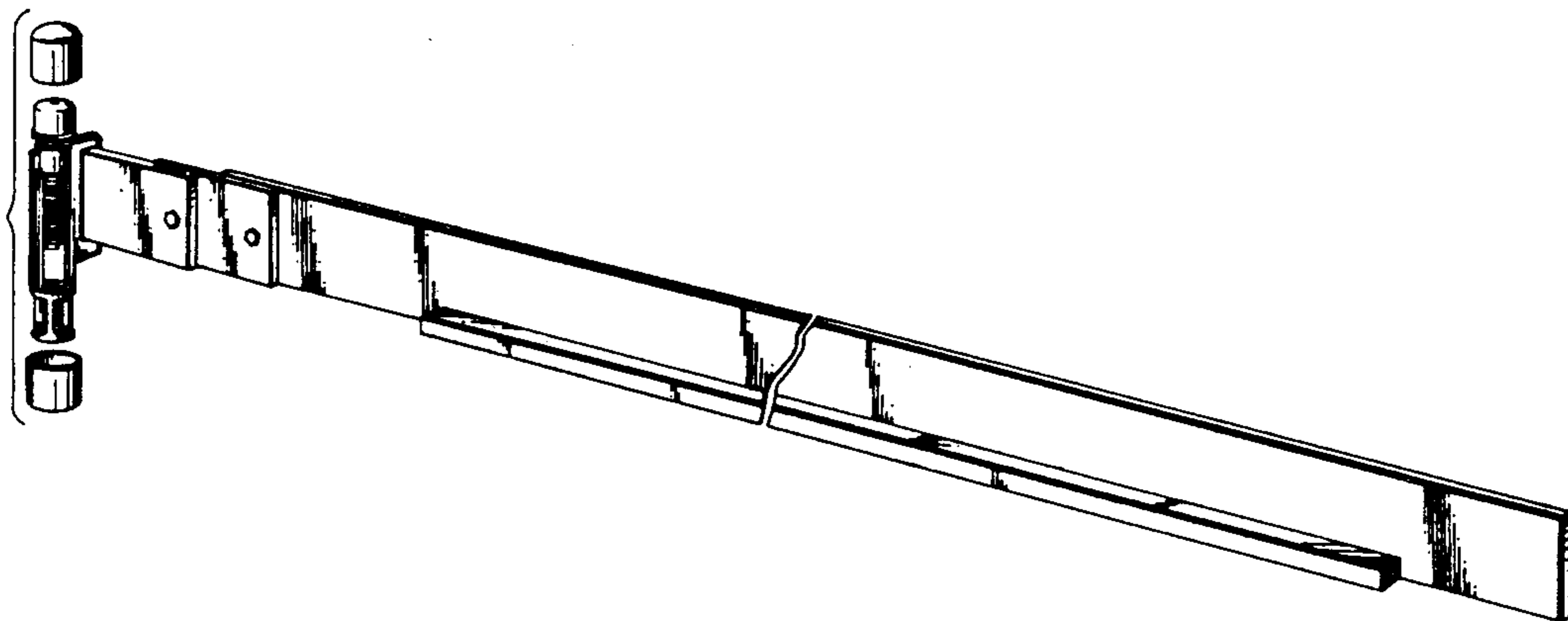
FIG. 3 is a top rear perspective view from the opposite end of FIG. 1, with the end caps shown in an exploded position; and

FIG. 4 is an enlarged fragmentary perspective view of a portion of the design in FIG. 1.

[56] **References Cited**

U.S. PATENT DOCUMENTS

D. 47,353	5/1915	Wood	D8/329
D. 198,670	7/1964	Anderson	D8/327
D. 282,302	1/1986	Reynoso et al.	D32/32
D. 293,764	1/1988	Hansen	D8/327



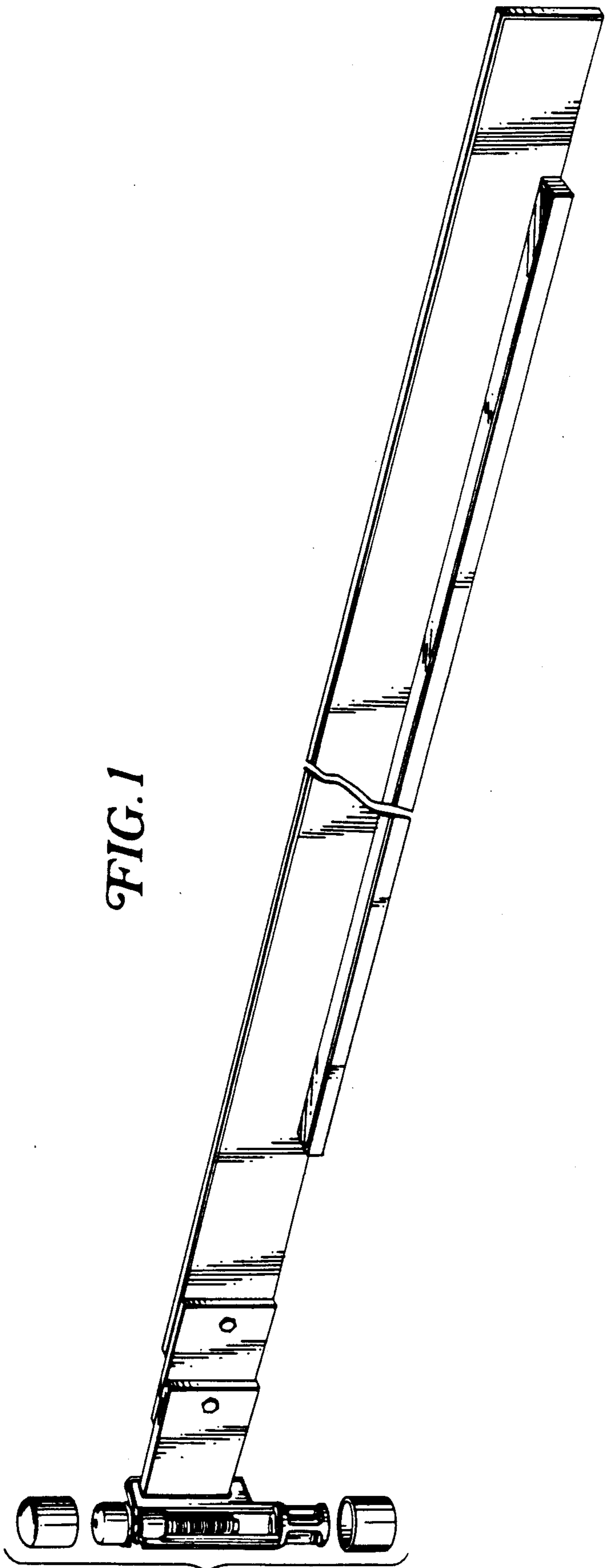
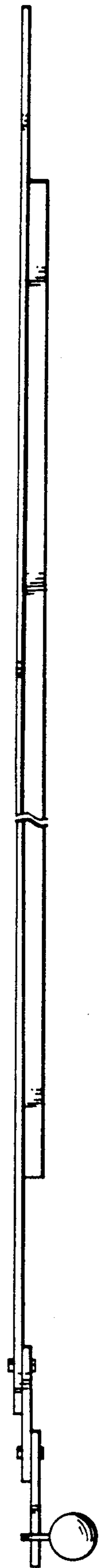


FIG. 1

FIG. 2



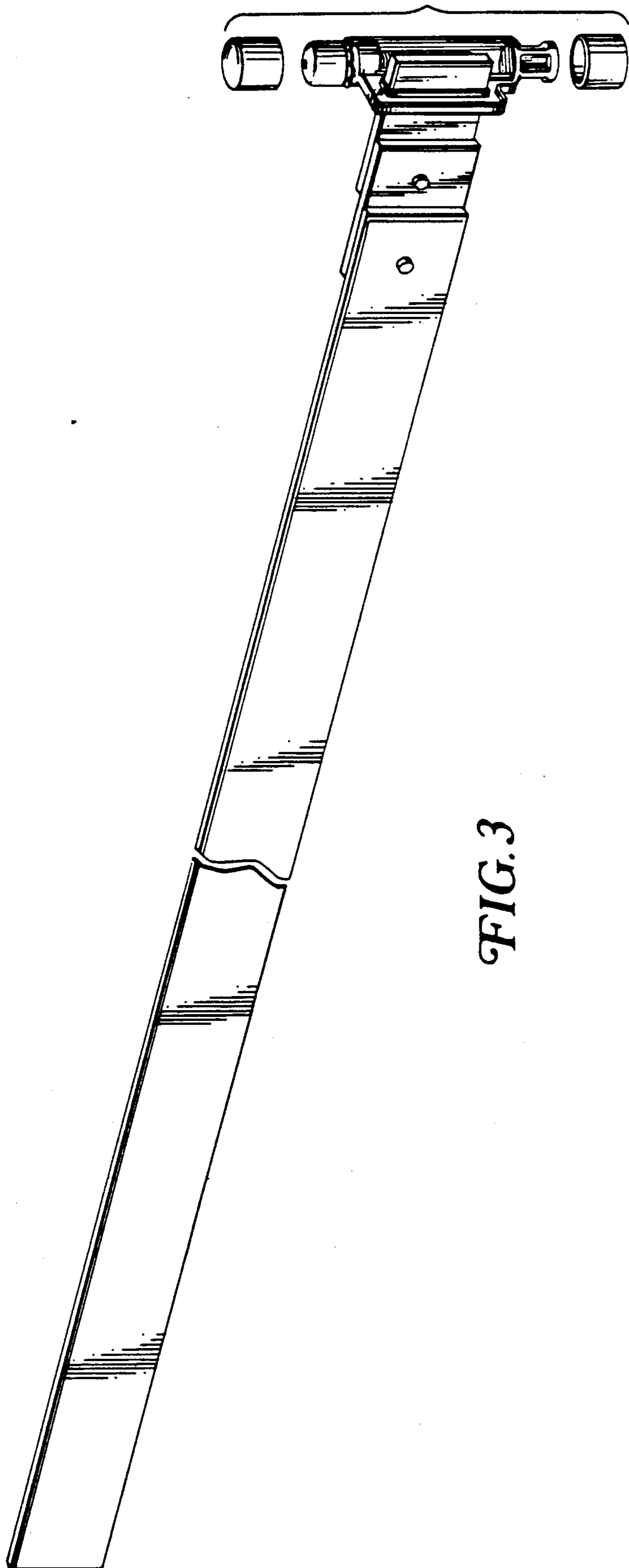


FIG. 3

FIG. 4

