

[54] PET DISH

[76] Inventor: Stephen K. Ahuna, 25101 Via Portola, Laguna Hills, Calif. 92677

[**] Term: 14 Years

[21] Appl. No.: 407,788

[22] Filed: Sep. 15, 1989

223,321	1/1880	Denton	43/109
2,191,811	2/1940	Trampier, Sr.	119/51.5
2,543,465	2/1951	Morey	119/61
2,584,301	2/1952	Sinclair	119/61
2,677,350	5/1954	Prestidge et al.	119/61
3,147,739	9/1964	Shaheen	119/61
3,441,003	4/1969	Du Mond et al.	119/61
4,007,711	2/1977	Michael	119/51.5
4,128,080	12/1978	Haney	119/51.5
4,357,905	11/1982	Carpenter	119/61

Related U.S. Application Data

- [63] Continuation-in-part of Ser. No. 347,326, May 4, 1989.
- [52] U.S. Cl. D30/129
- [58] Field of Search D30/121, 129-132; 119/51.5, 62, 63, 72, 73, 18, 57.8, 74; D9/429; 43/109; 220/20

References Cited

U.S. PATENT DOCUMENTS

D. 43,525	2/1913	Dunn	D30/130
D. 105,812	8/1937	Siekert	D30/130
D. 269,386	6/1983	Khider	D30/130
D. 284,531	3/1988	Neunzig	D30/130
D. 296,485	6/1988	Peterson	D30/130
D. 299,771	2/1989	Kennedy	D30/130
D. 303,169	8/1989	Hovey	D30/130

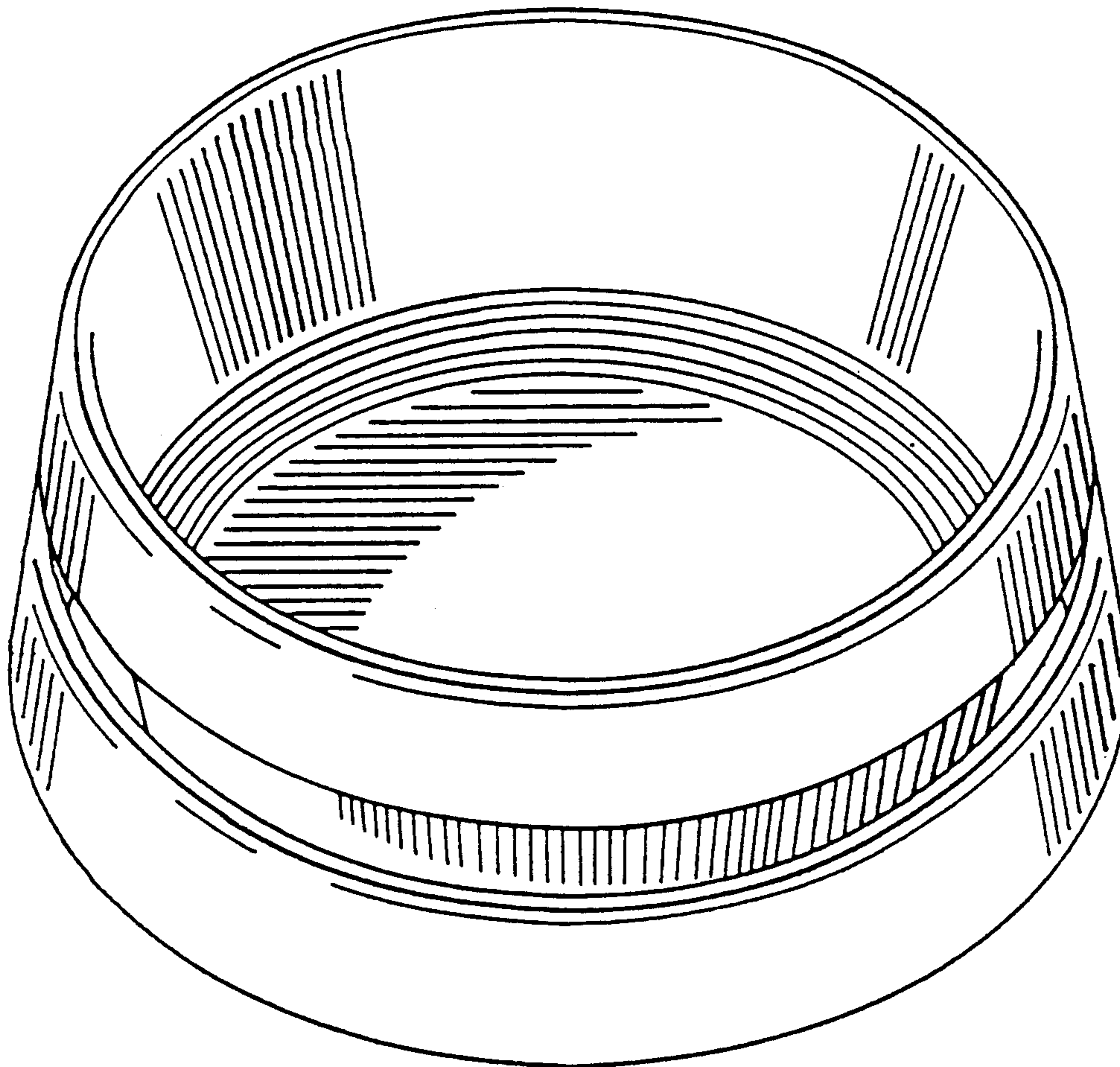
Primary Examiner—James R. Largen
 Assistant Examiner—Cathy Anne MacCormac
 Attorney, Agent, or Firm—Gordon L. Peterson; Frank J. Uxa, Jr.

[57] CLAIM

The ornamental design for a pet dish, as shown and described.

DESCRIPTION

FIG. 1 is a top perspective view of a pet dish showing my new design;
 FIG. 2 is a top plan view thereof;
 FIG. 3 is a side elevational view thereof, all other sides being identical to the side shown; and
 FIG. 4 is a bottom plan view thereof.



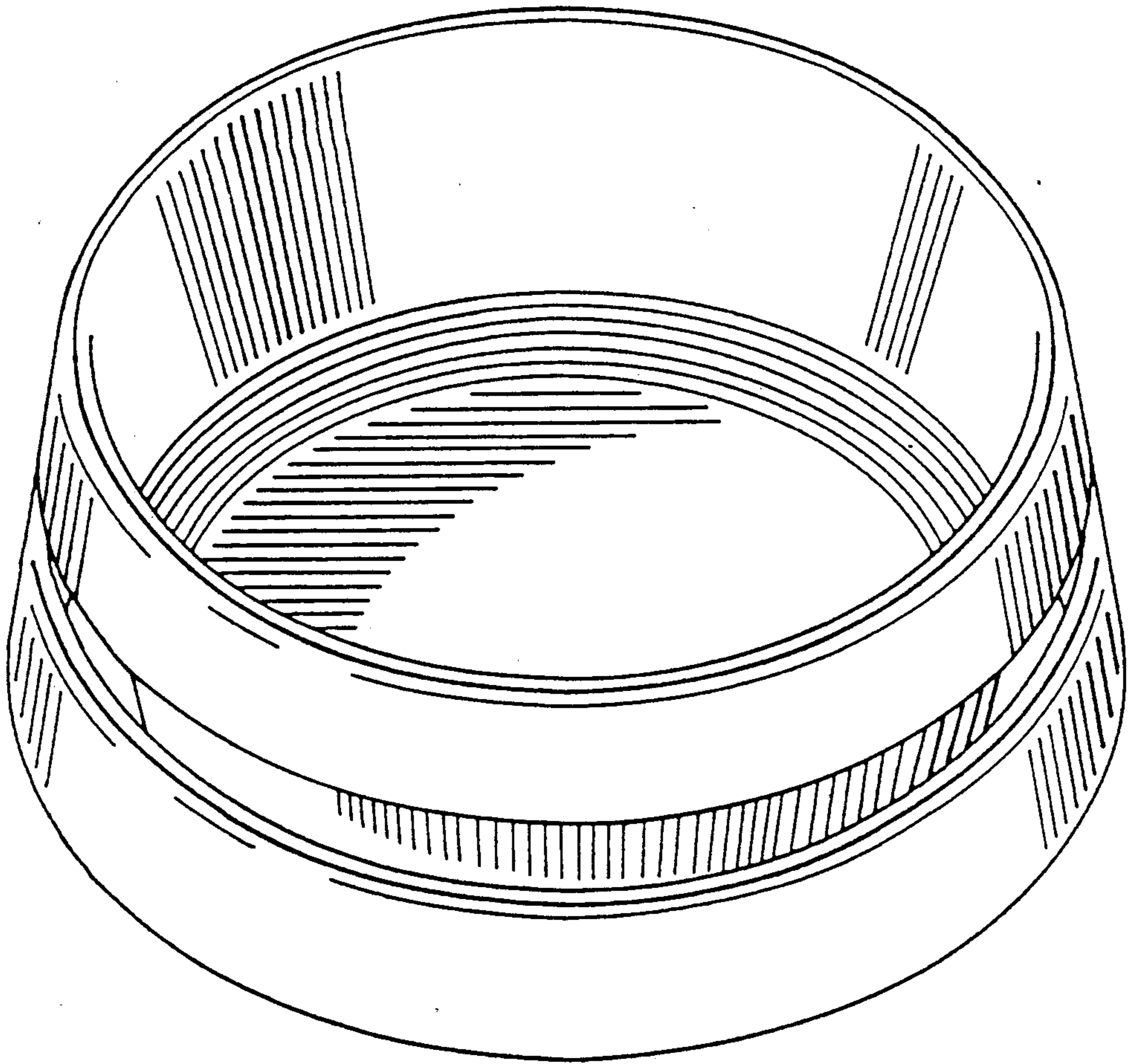


FIG. 1

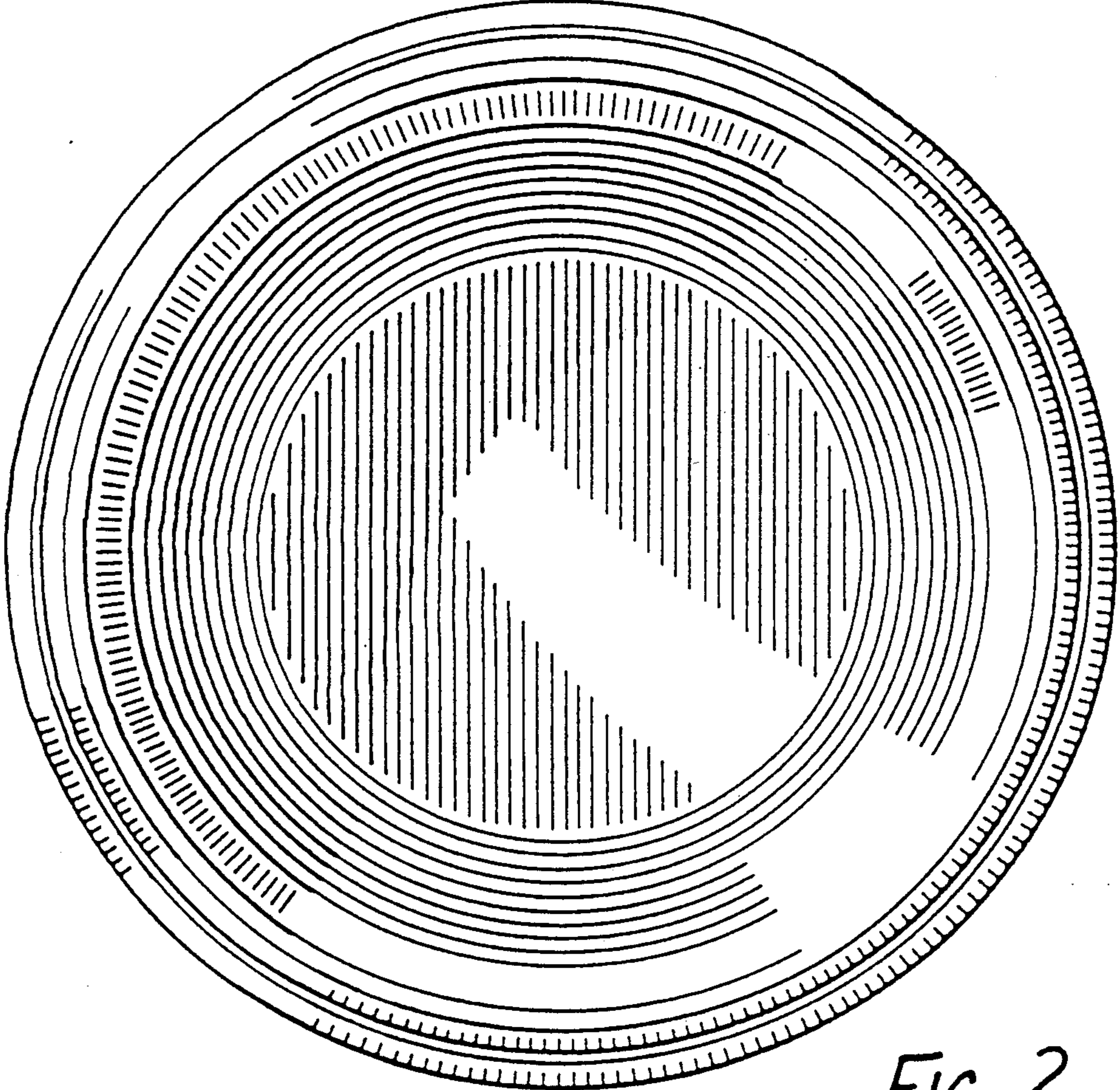
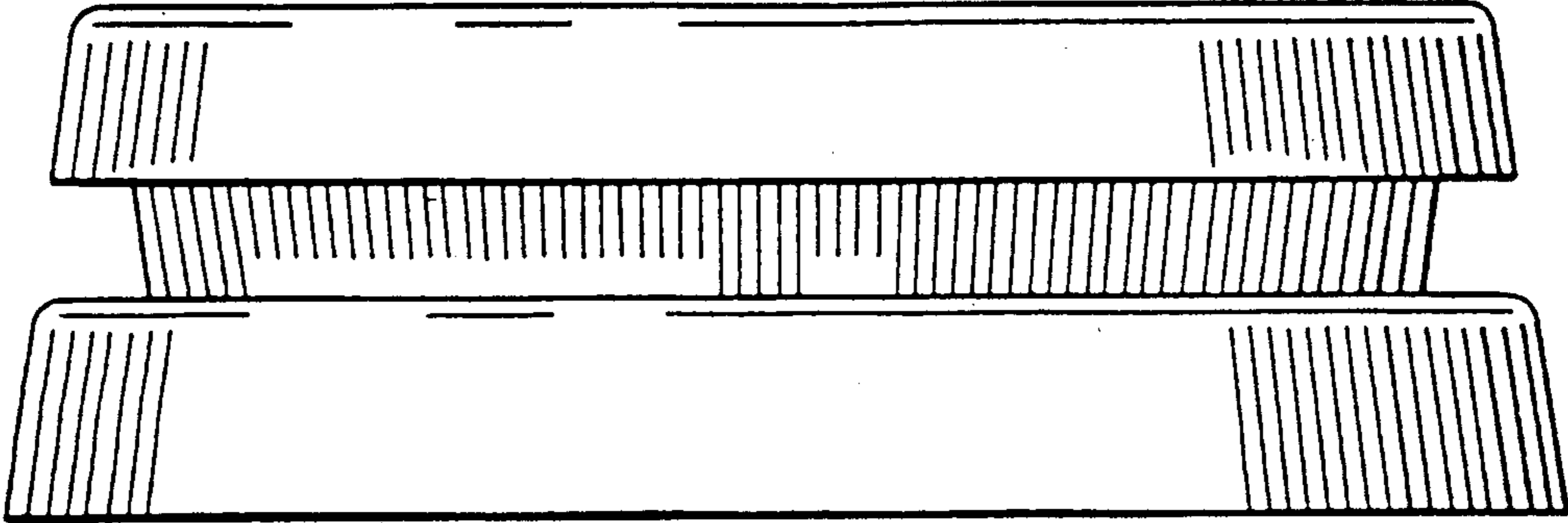


FIG. 2

FIG. 3



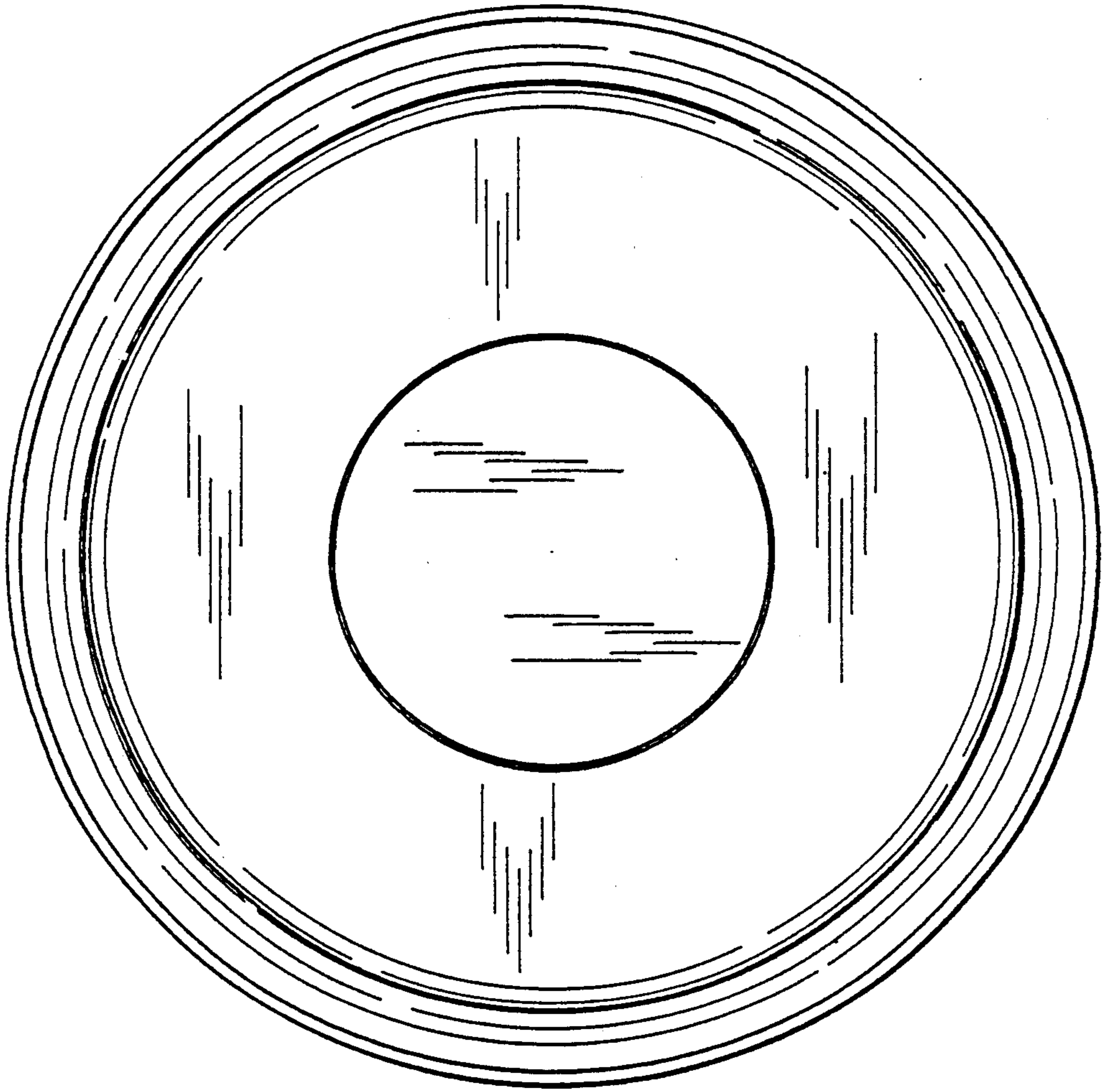


FIG. 4