

[54] COMPACT CASE

[75] Inventor: Garfield G. Litton, Glen Rock, N.J.

[73] Assignee: Revlon, Inc., New York, N.Y.

[*] Notice: The portion of the term of this patent subsequent to Feb. 5, 2005 has been disclaimed.

[**] Term: 14 Years

[21] Appl. No.: 344,346

[22] Filed: Apr. 27, 1989

[52] U.S. Cl. D28/78

[58] Field of Search D28/77-83; D3/30.1, 39; D9/414, 420, 430, 431, 432; 206/235, 37, 457, 38, 581, 823; 220/DIG. 26; 132/293-307, 312-316

[56] References Cited

U.S. PATENT DOCUMENTS

- D. 84,803 5/1931 Jones D28/83
- D. 102,348 12/1936 Atherton D3/39
- D. 122,152 8/1940 Allen D9/420
- D. 258,542 3/1981 Chevassus D28/83

D. 285,373 8/1986 Simonetti et al. D28/83

Primary Examiner—Bernard Ansher

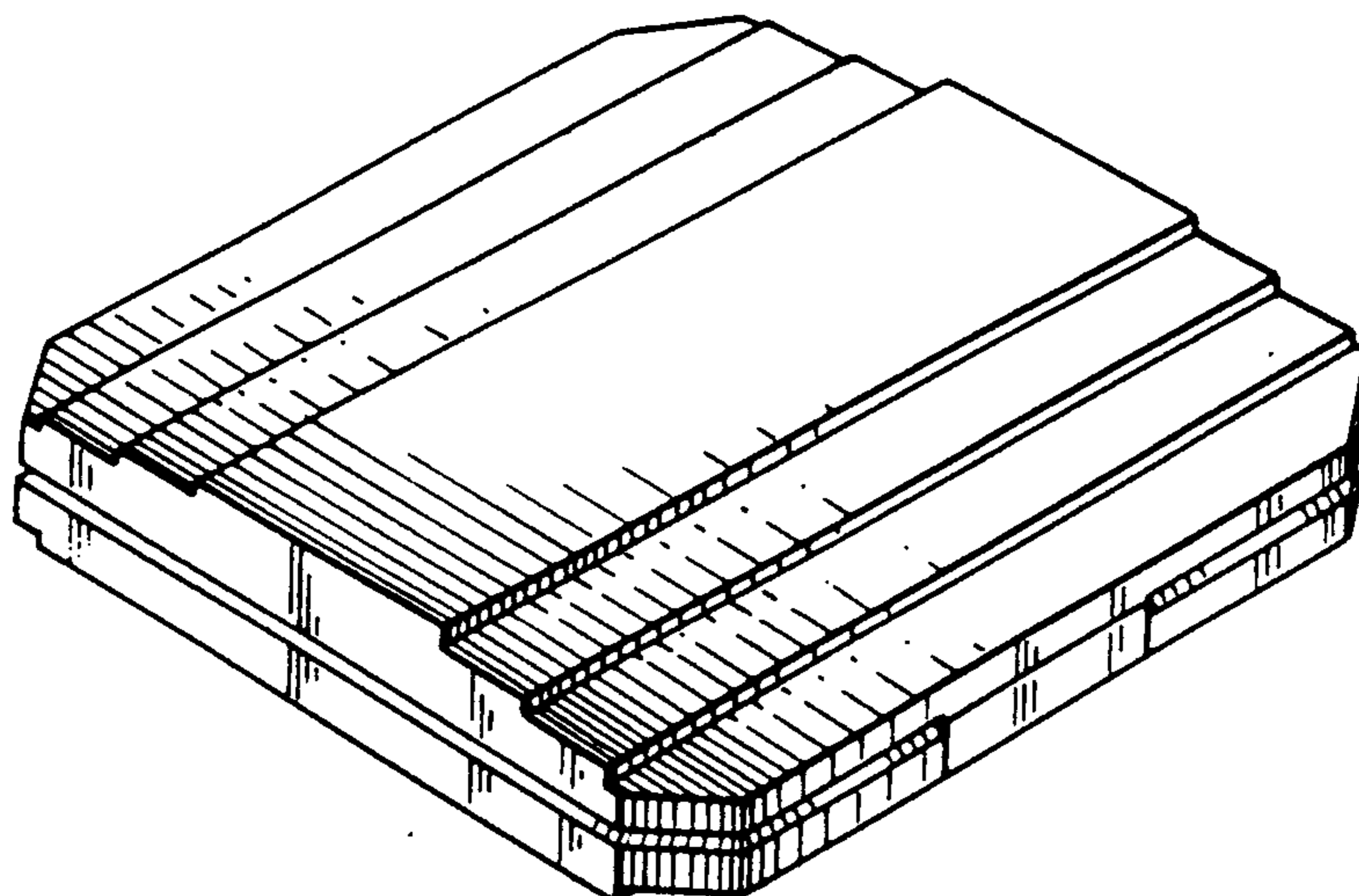
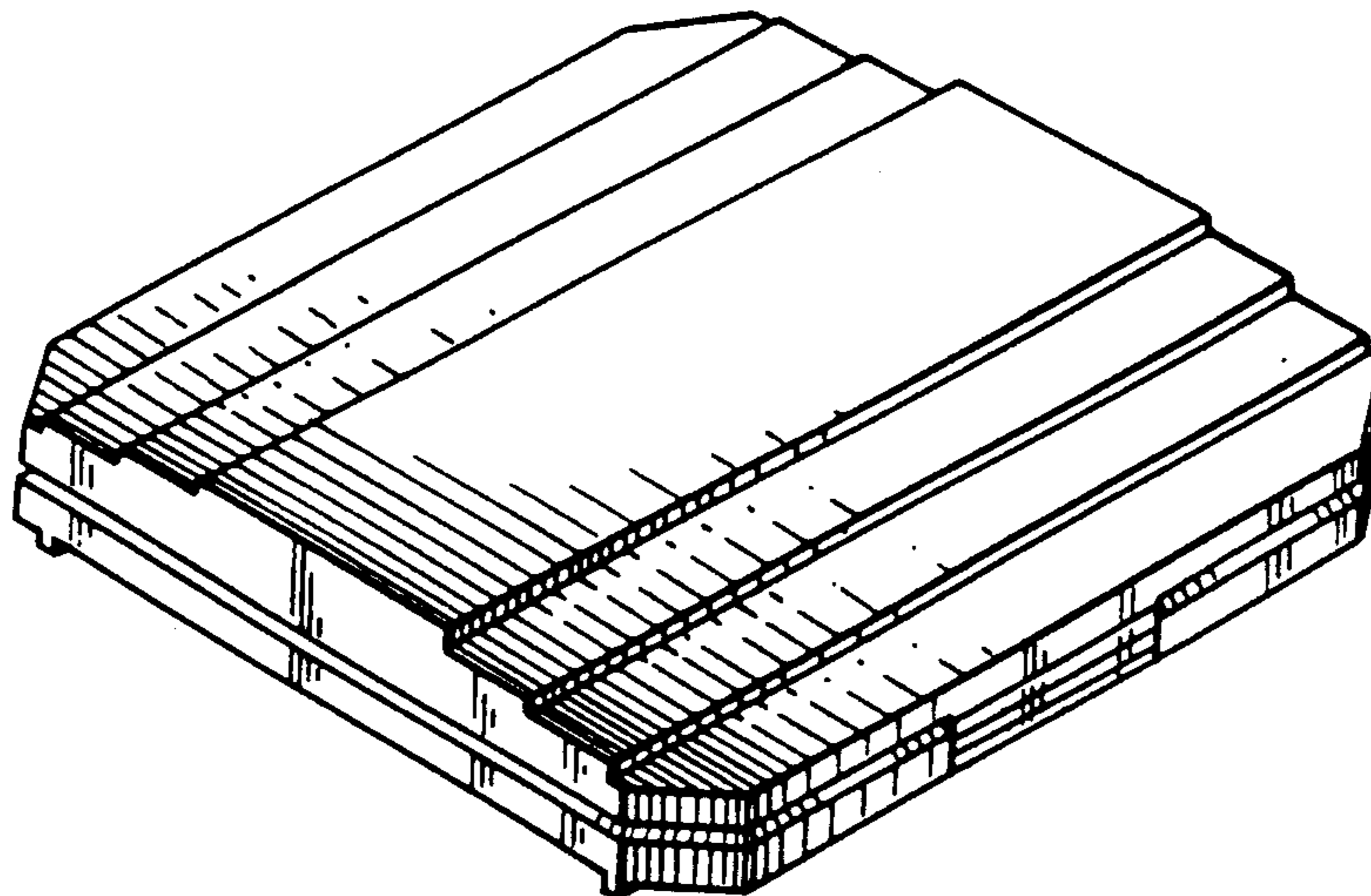
Assistant Examiner—C. Tuttle

[57] CLAIM

The ornamental design for a compact case, as shown and described.

DESCRIPTION

FIG. 1 is a top perspective view of a cosmetic case showing my new design;
 FIG. 2 is a front elevational view thereof;
 FIG. 3 is a rear elevational view thereof;
 FIG. 4 is a side elevational view thereof, the side opposite being a mirror image of the side shown;
 FIG. 5 is a top plan view thereof;
 FIG. 6 is a bottom plan view thereof;
 FIG. 7 is a top perspective view of a second modified embodiment;
 FIG. 8 is a front elevational view thereof;
 FIG. 9 is a rear elevational view thereof;
 FIG. 10 is a side elevational view thereof, the side opposite being a mirror image of the side shown;
 FIG. 11 is a top plan view thereof; and
 FIG. 12 is bottom plan view thereof.



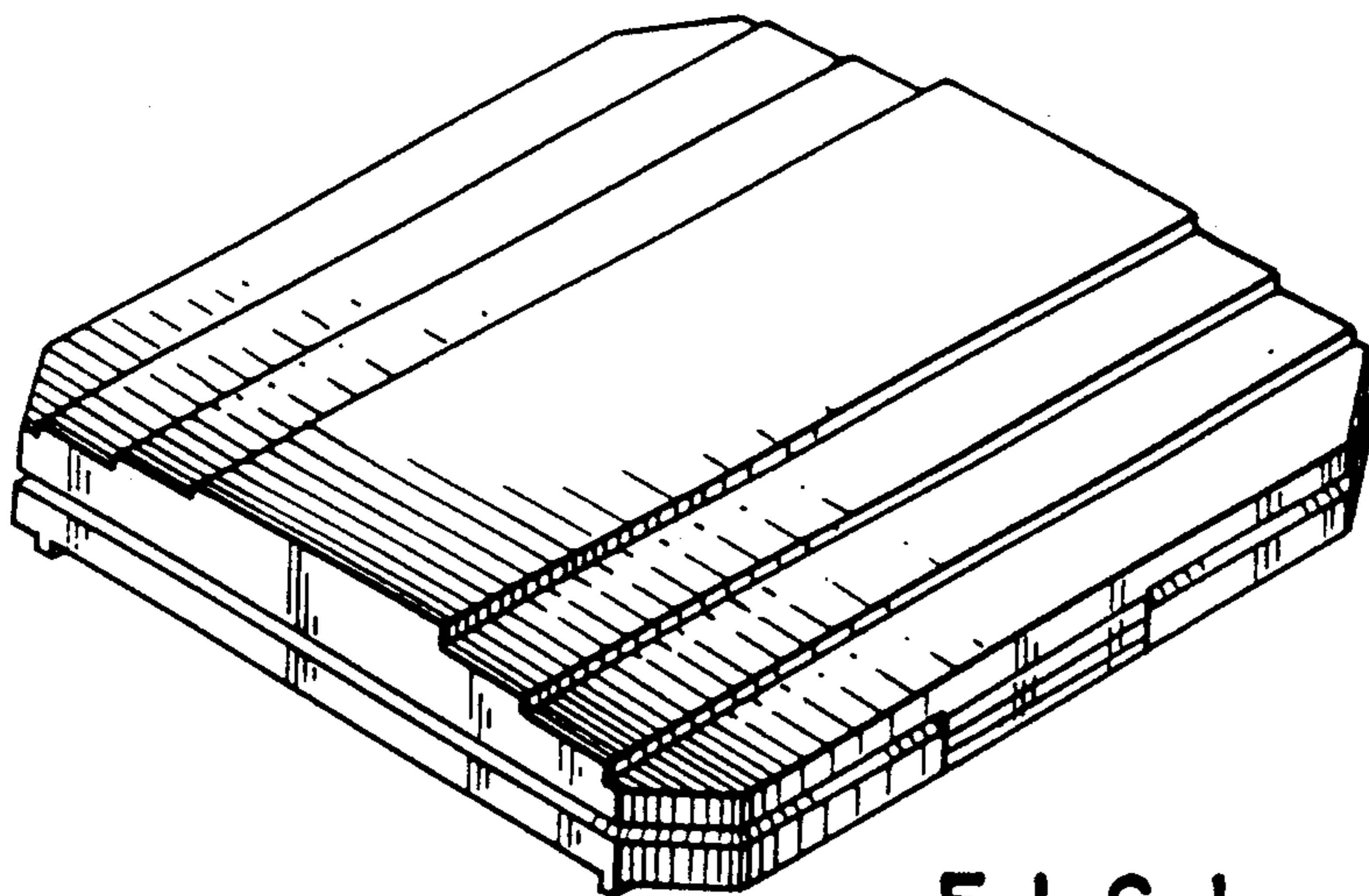


FIG. 1

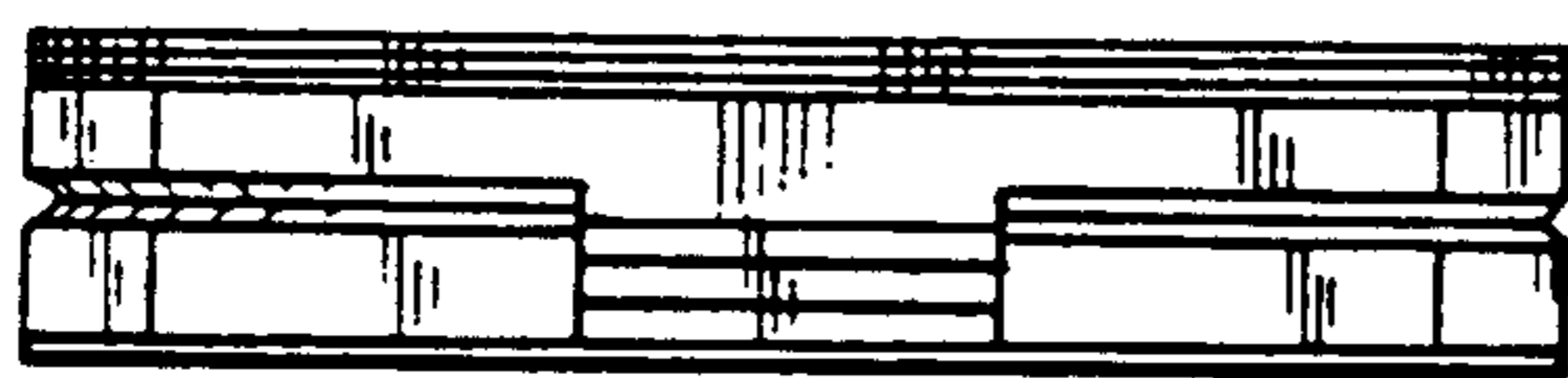


FIG. 2

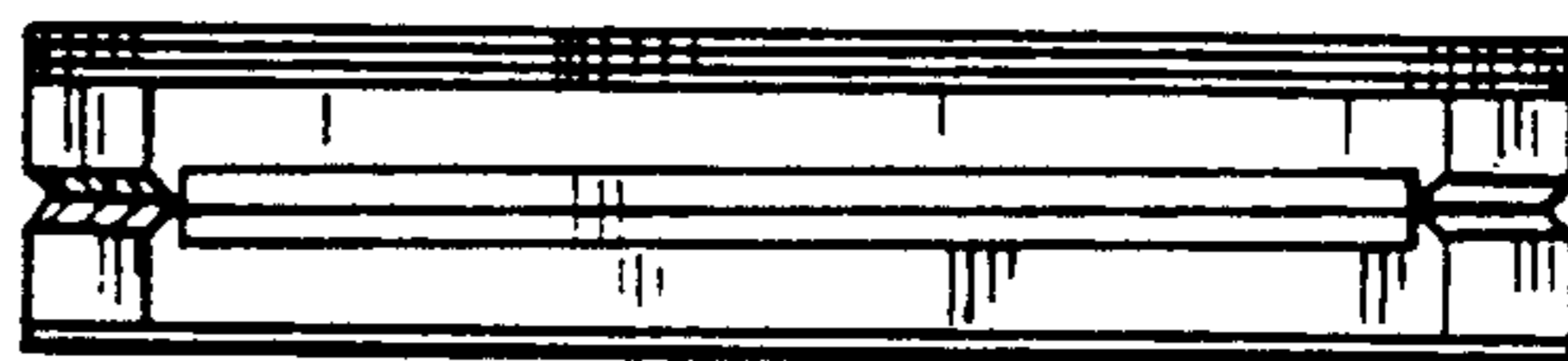


FIG. 3

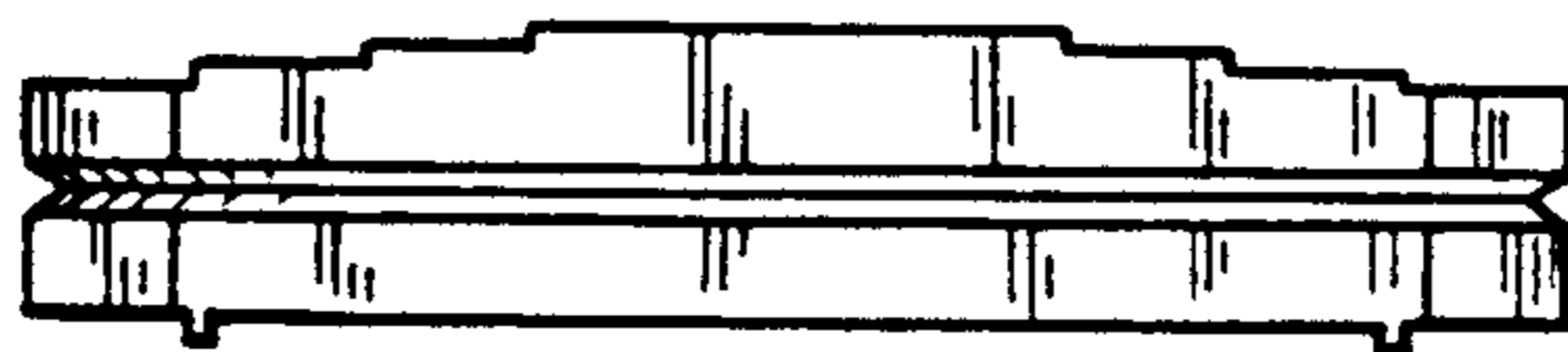


FIG. 4

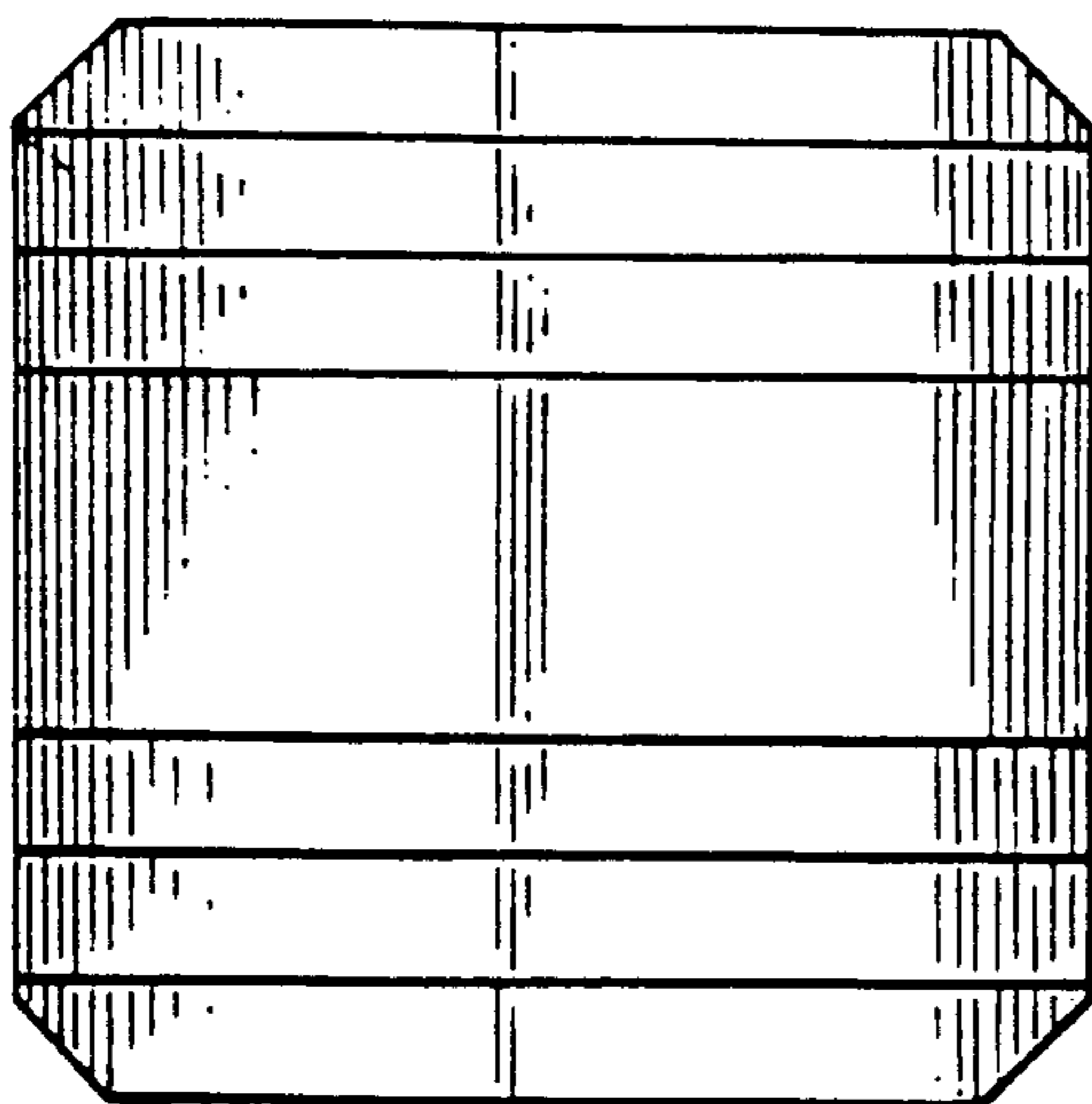


FIG. 5

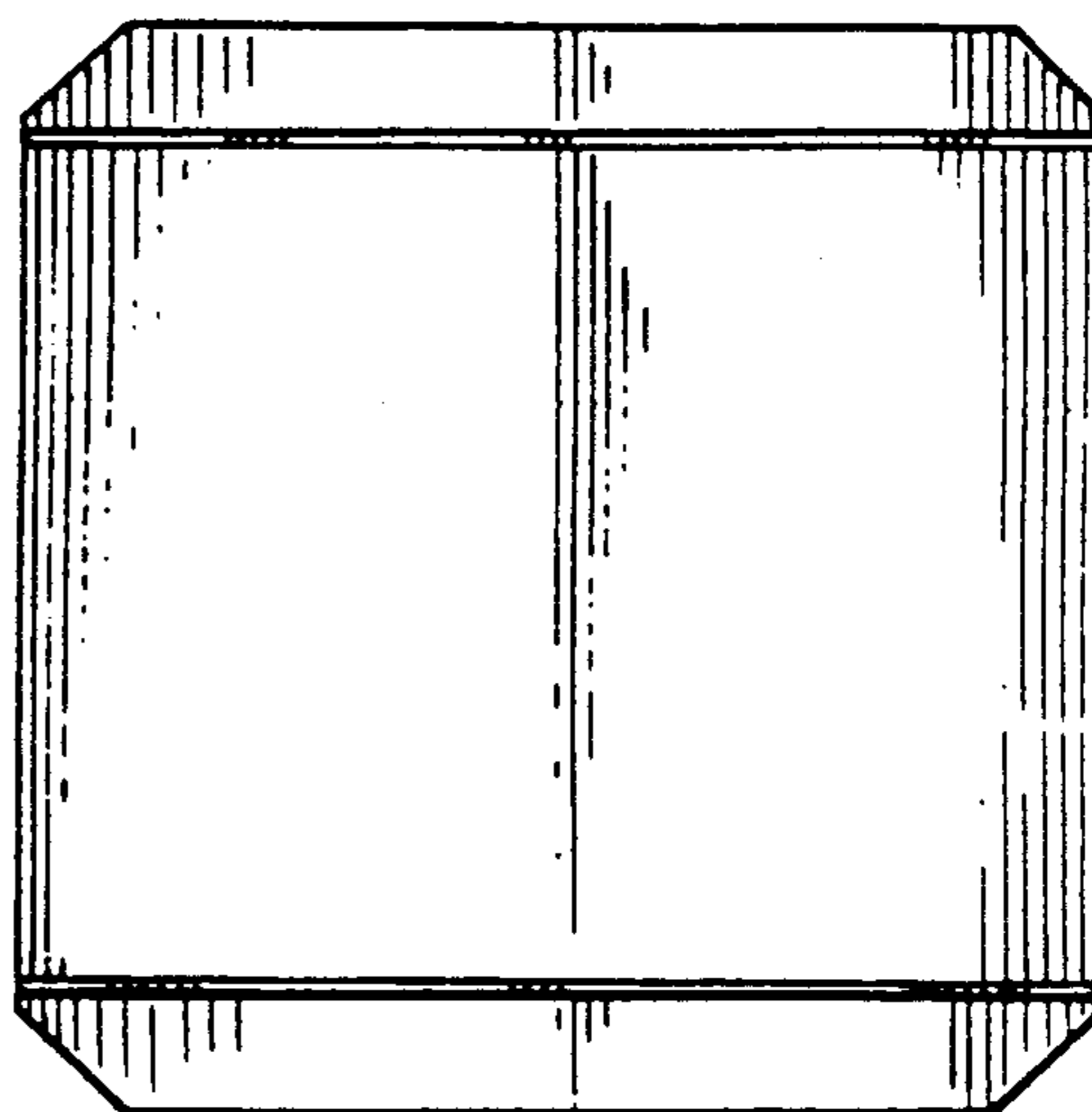


FIG. 6

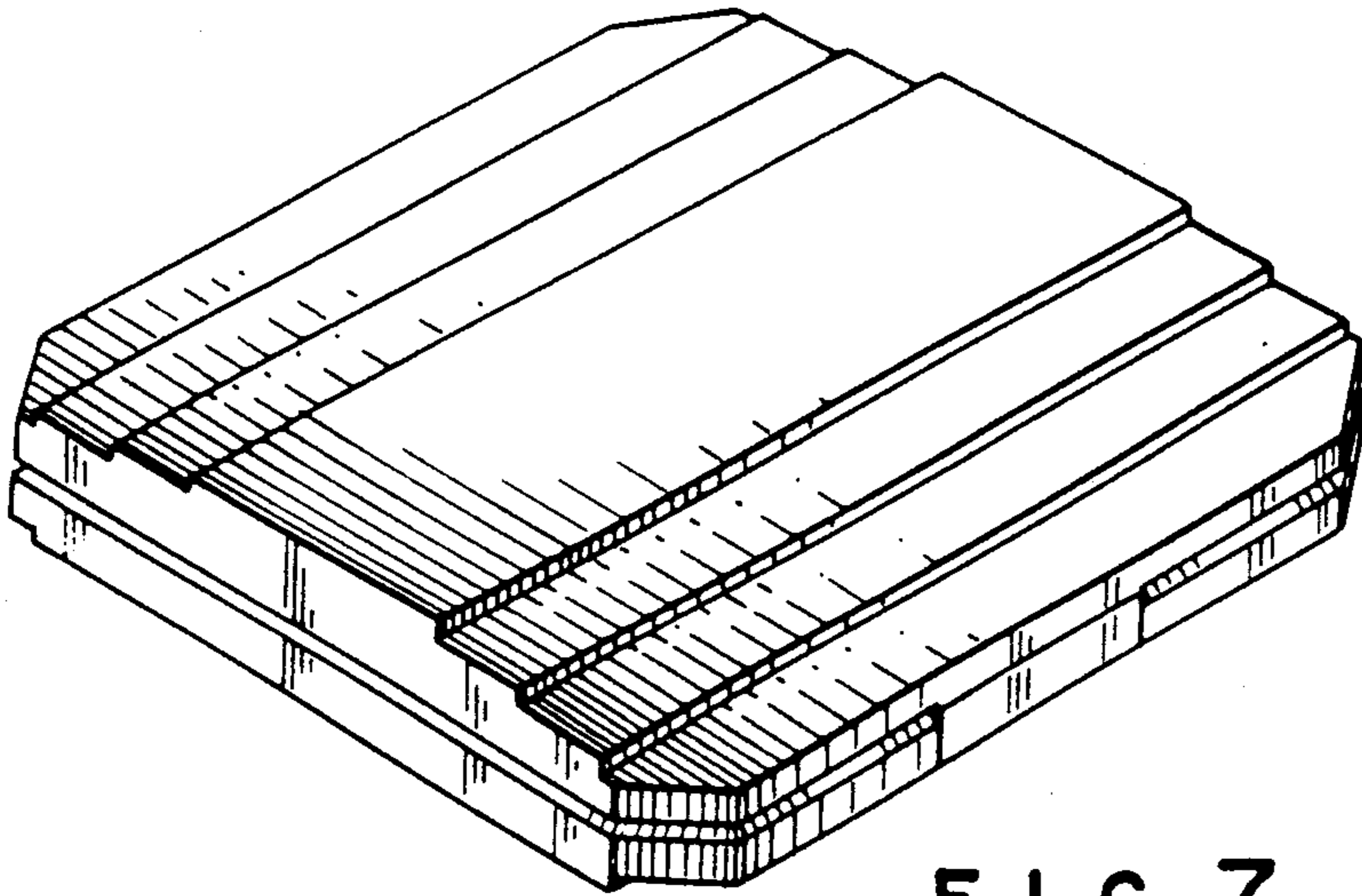


FIG. 7

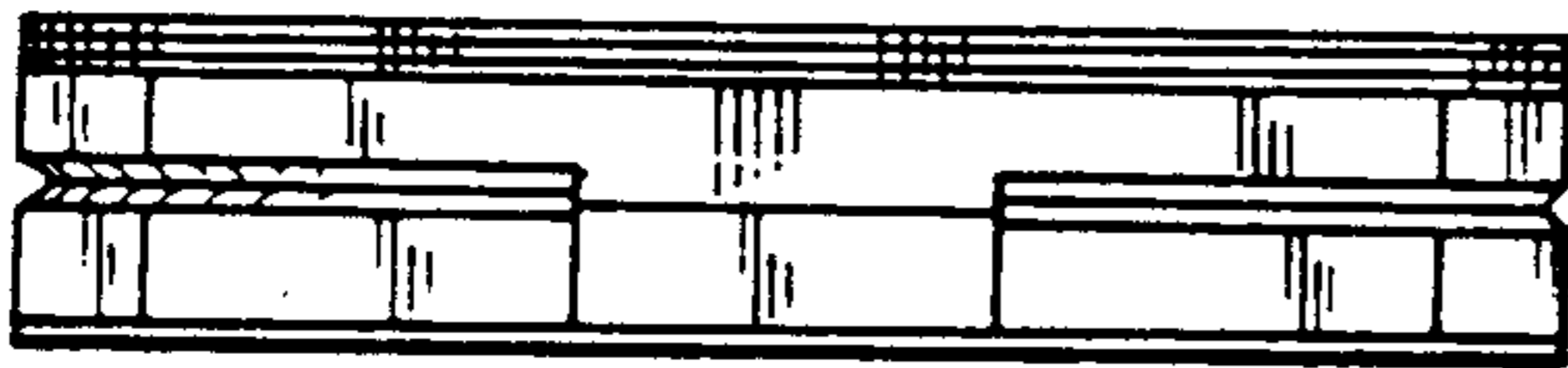


FIG. 8

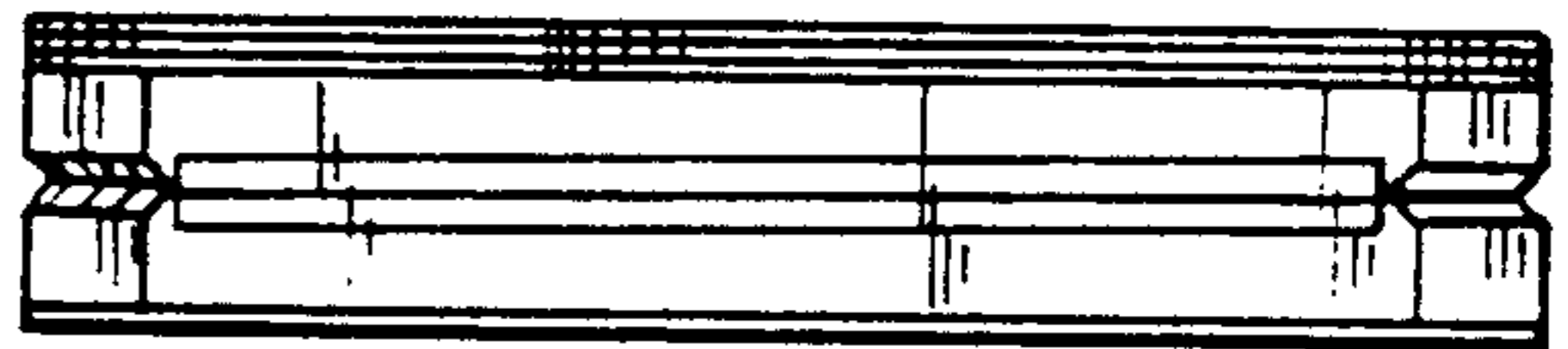


FIG. 9

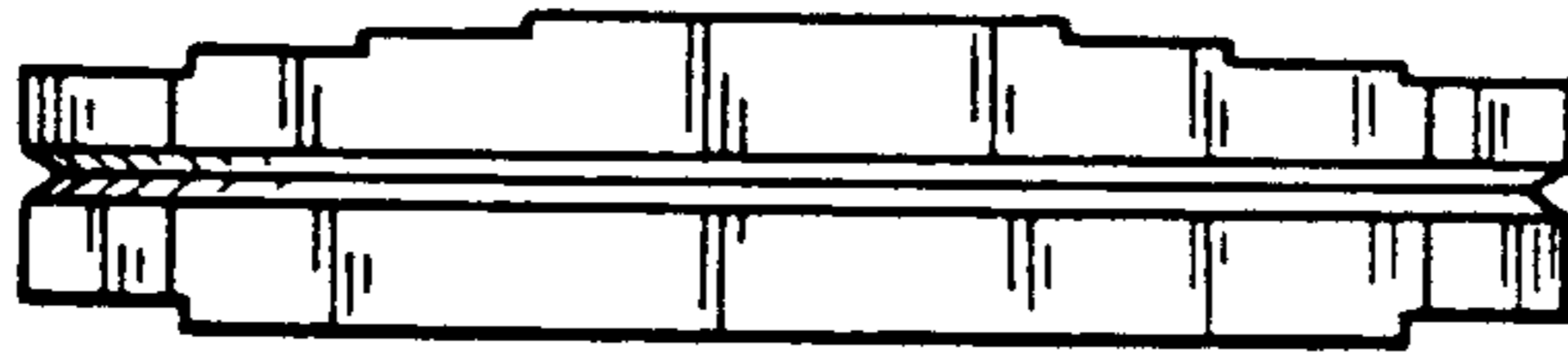


FIG. 10

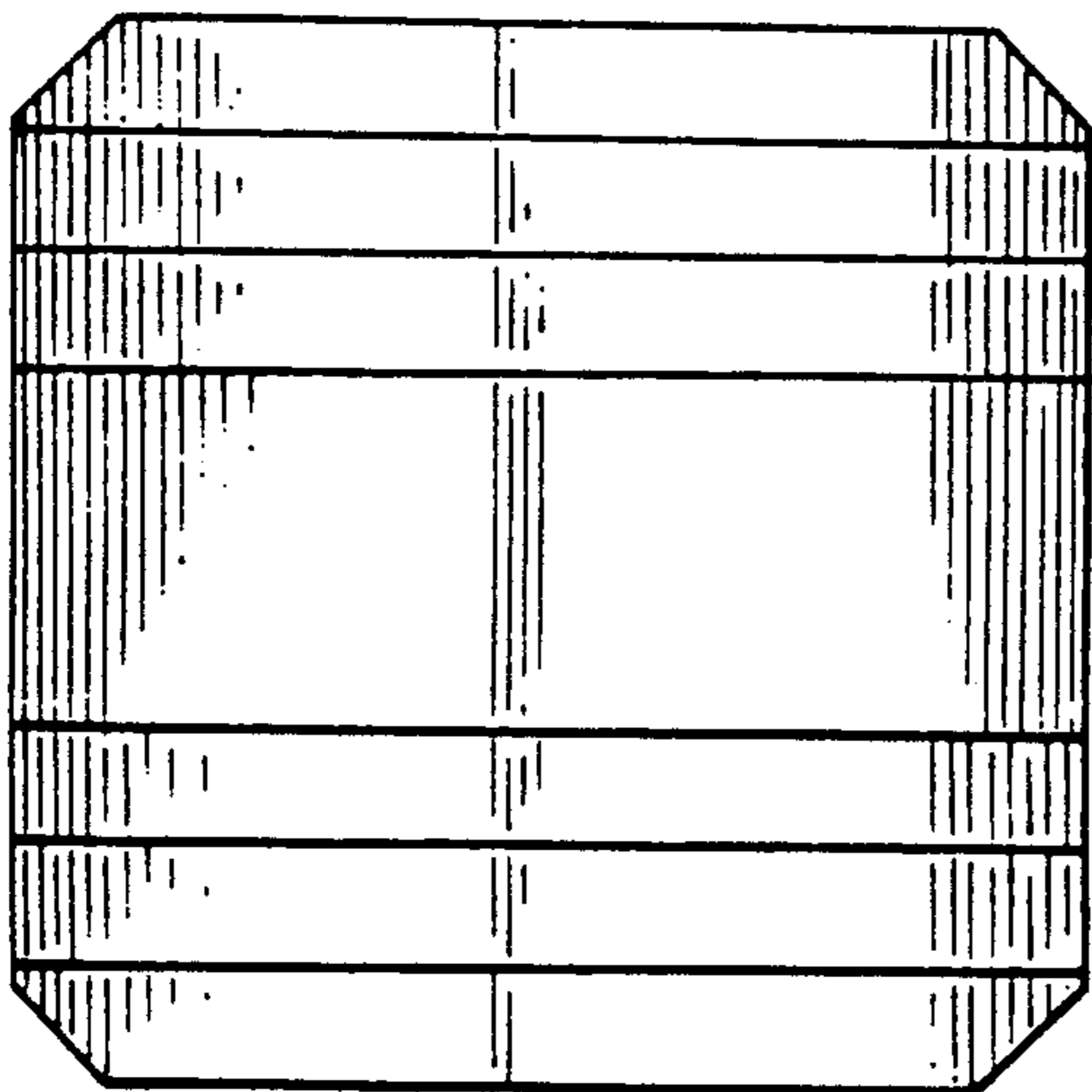


FIG. 11

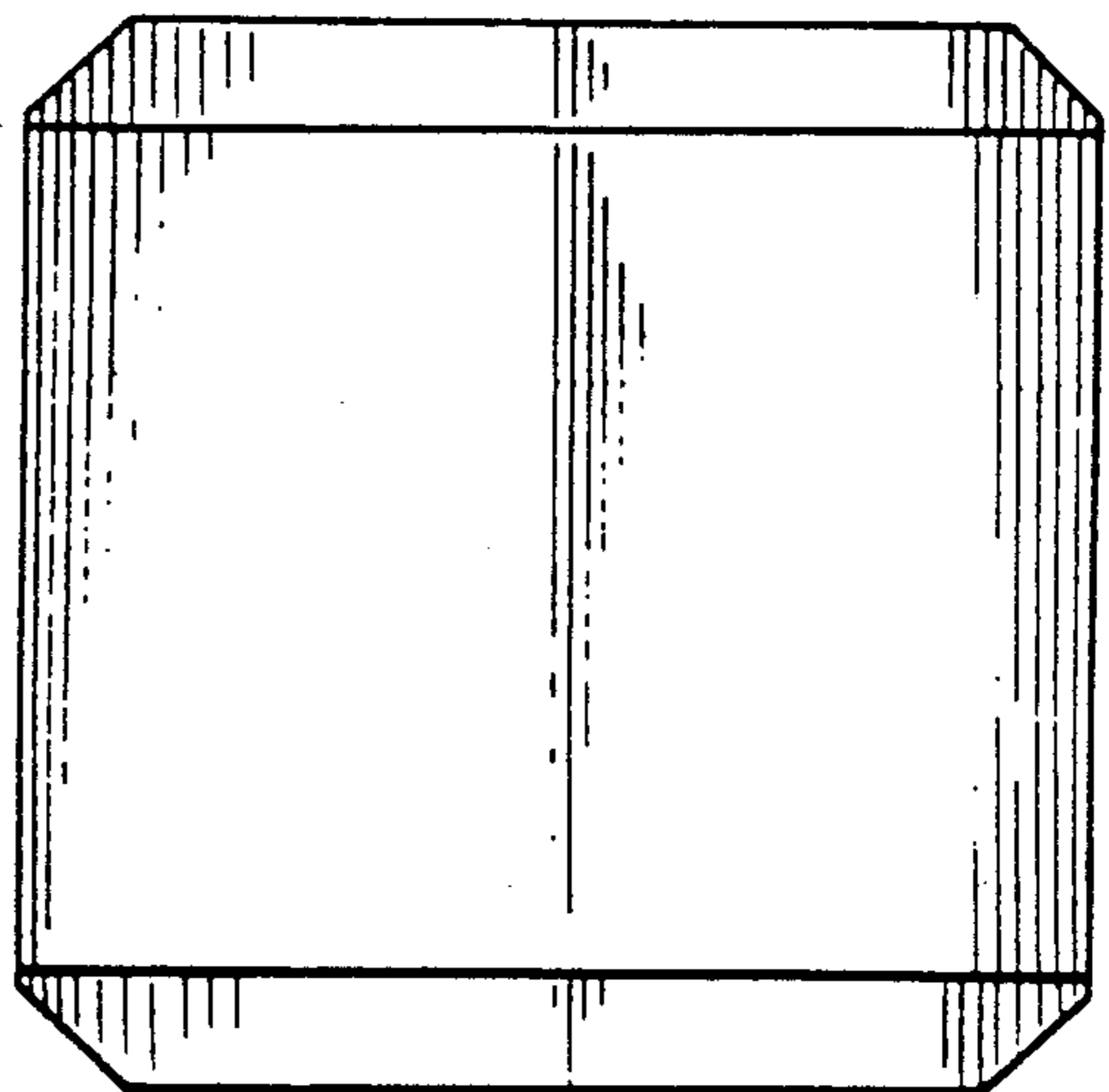


FIG. 12

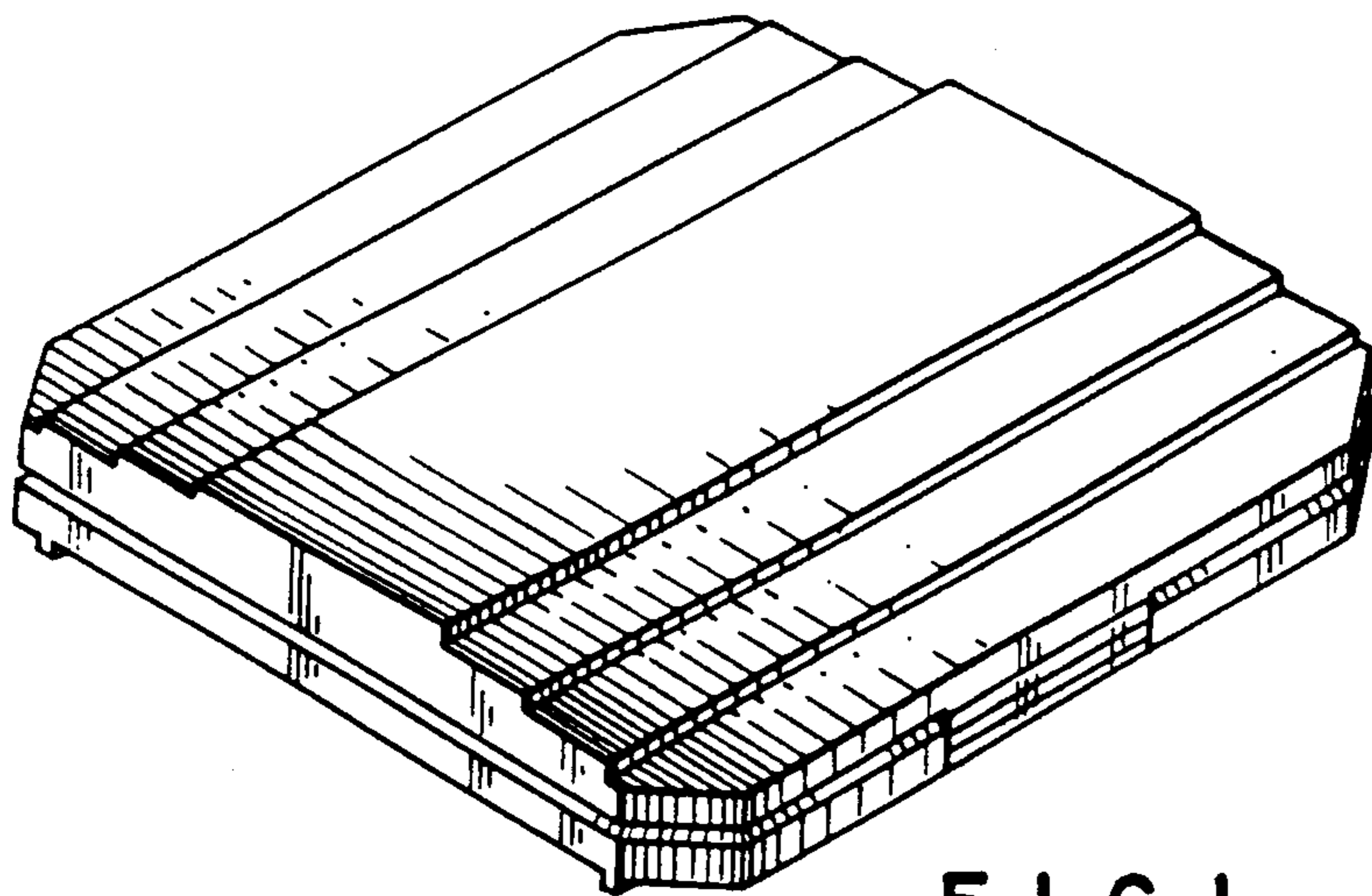


FIG. 1

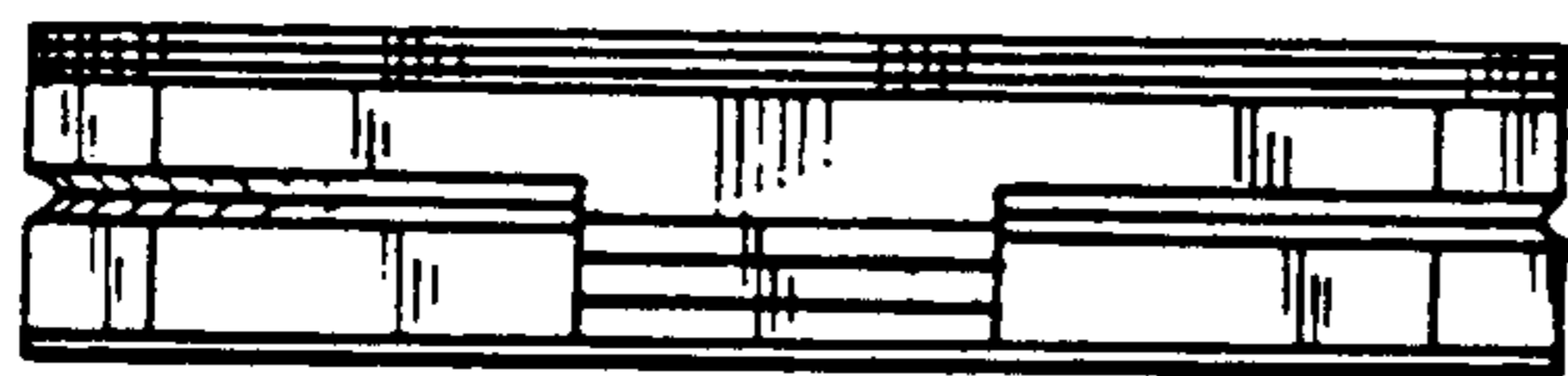


FIG. 2

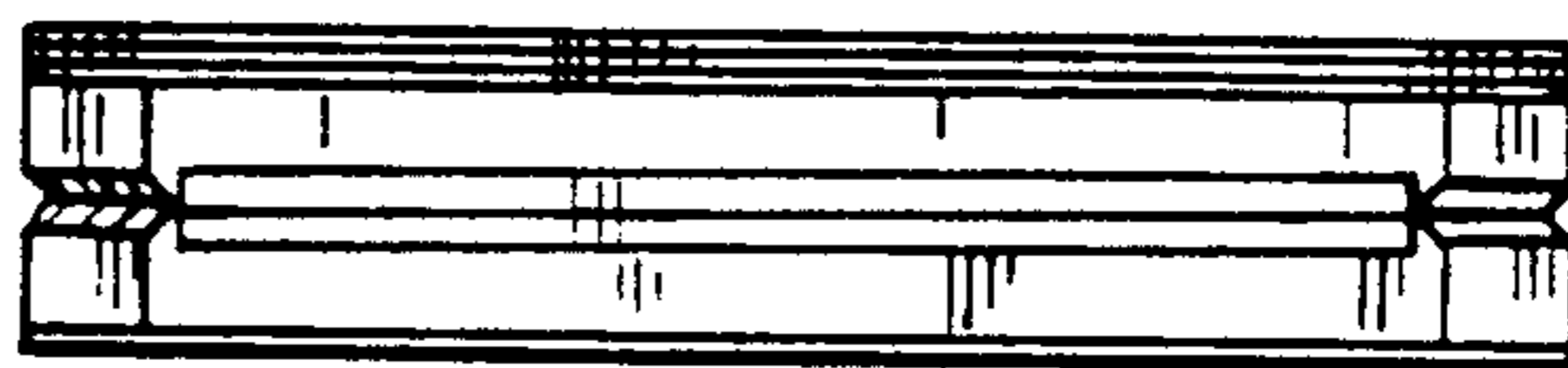


FIG. 3

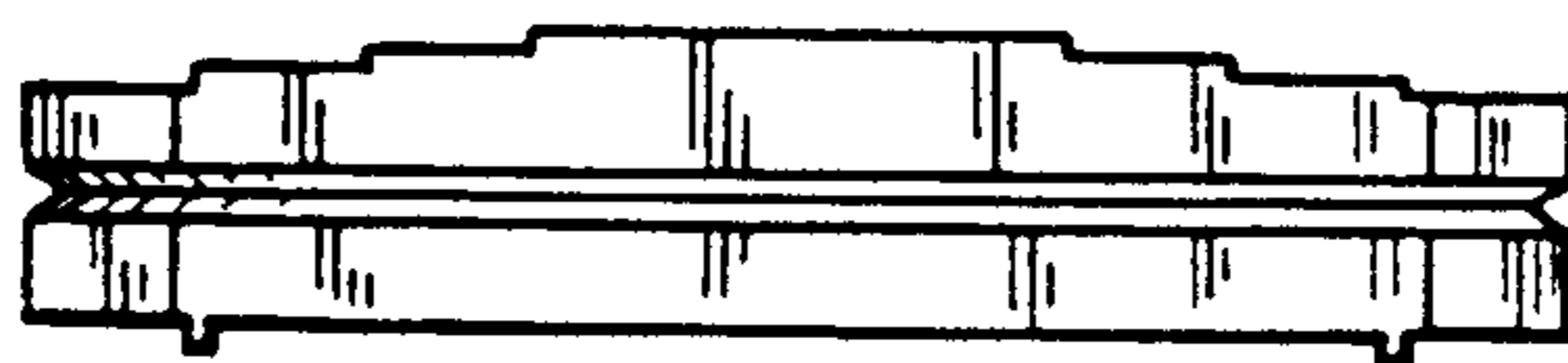


FIG. 4

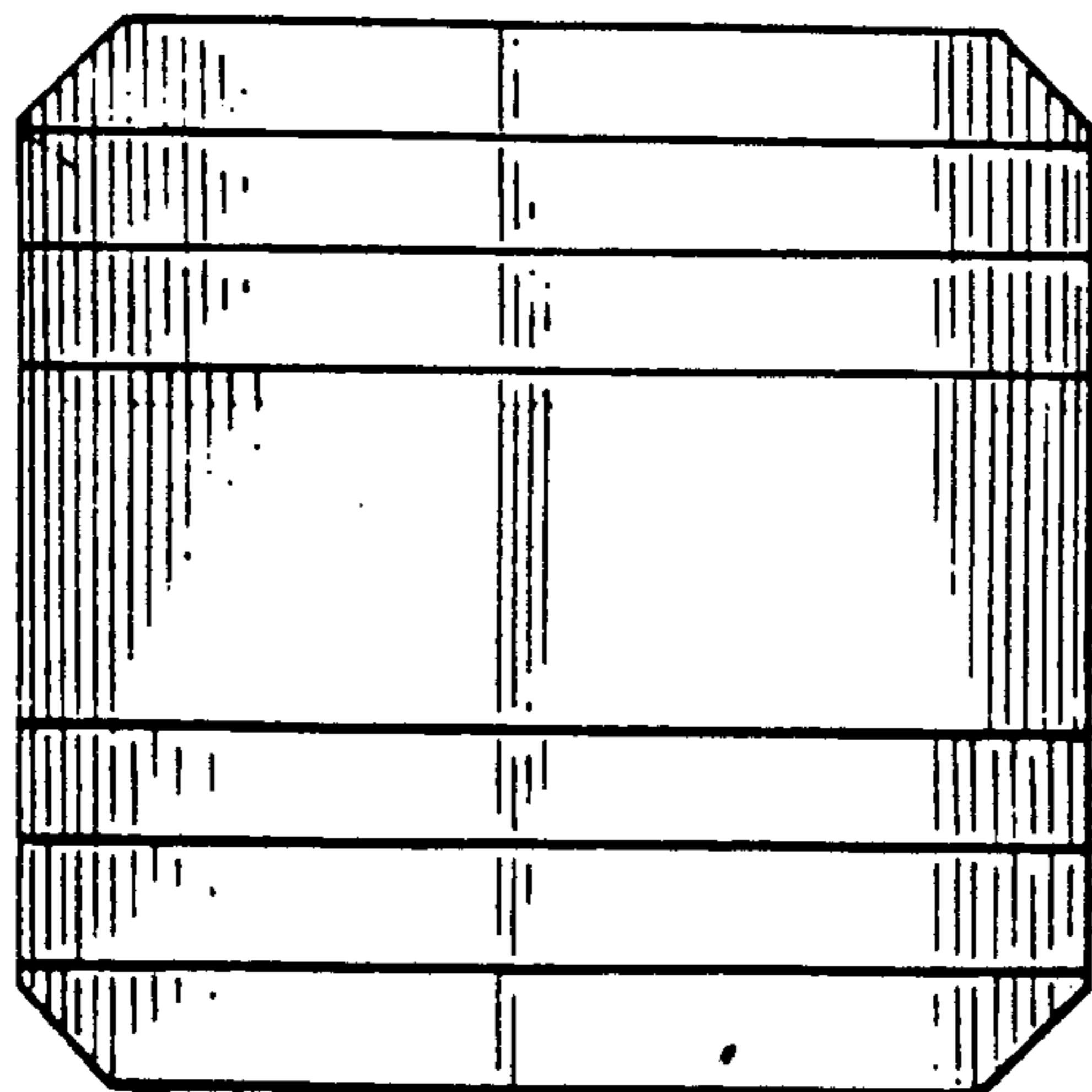


FIG. 5

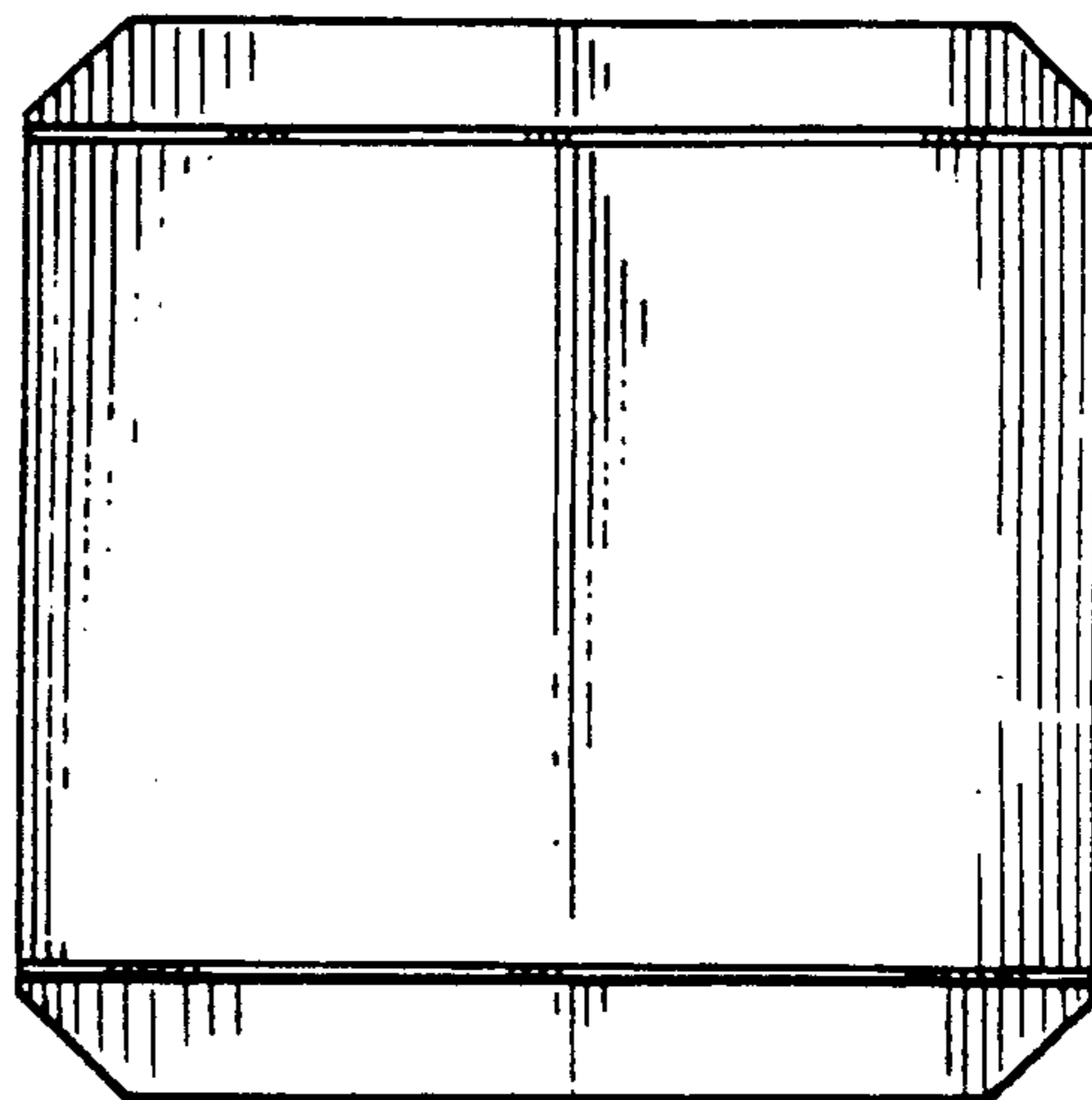


FIG. 6