

[54] COSMETIC CONTAINER

[76] Inventor: Albert D. Addis, 22015 De La Guerra St., Woodland Hills, Calif. 91364

[**] Term: 14 Years

[21] Appl. No.: 205,910

[22] Filed: Jun. 13, 1988

[52] U.S. Cl. D28/76; D28/83; D28/85

[58] Field of Search D3/30.1, 39, 34; D9/337-338, 432; 28/9, 73, 76-81, 83, 85; D27/172, 186, 189; 206/235, 581, 823, 37 R, 38, 249, 250; 132/317, 318, 320, 76.2, 75, 286; 401/55, 59-62, 88-98

D. 277,421 1/1985 Bakic D28/83

FOREIGN PATENT DOCUMENTS

22237 5/1883 Fed. Rep. of Germany 206/249
731814 9/1932 France 132/293

Primary Examiner—Bernard Ansher
Assistant Examiner—C. Tuttle
Attorney, Agent, or Firm—Allan M. Shapiro

[57] CLAIM

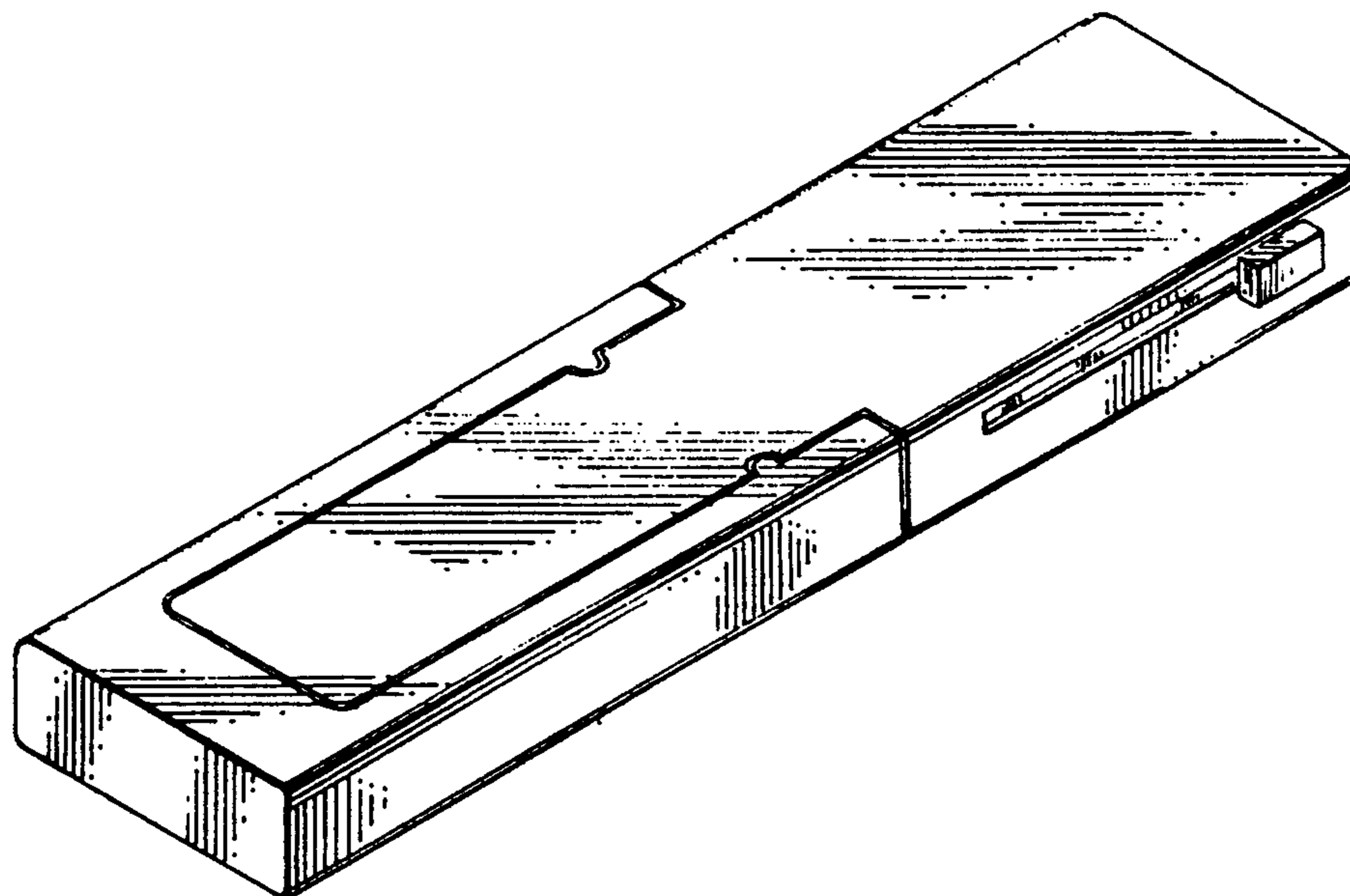
The ornamental design for a cosmetic container, as shown.

DESCRIPTION

FIG. 1 is a top perspective view of a cosmetic container, showing my new design;
FIG. 2 is a top plan view thereof;
FIG. 3 is a bottom plan view thereof;
FIG. 4 is a right end elevational view thereof;
FIG. 5 is a left end elevational view thereof; and
FIG. 6 is an elevational view of the side opposite of that shown in FIG. 1.

[56] References Cited
U.S. PATENT DOCUMENTS

D. 138,372 7/1944 Crane D27/189
D. 226,362 2/1973 Seidler D28/9 X
D. 229,119 11/1973 Litton D28/78



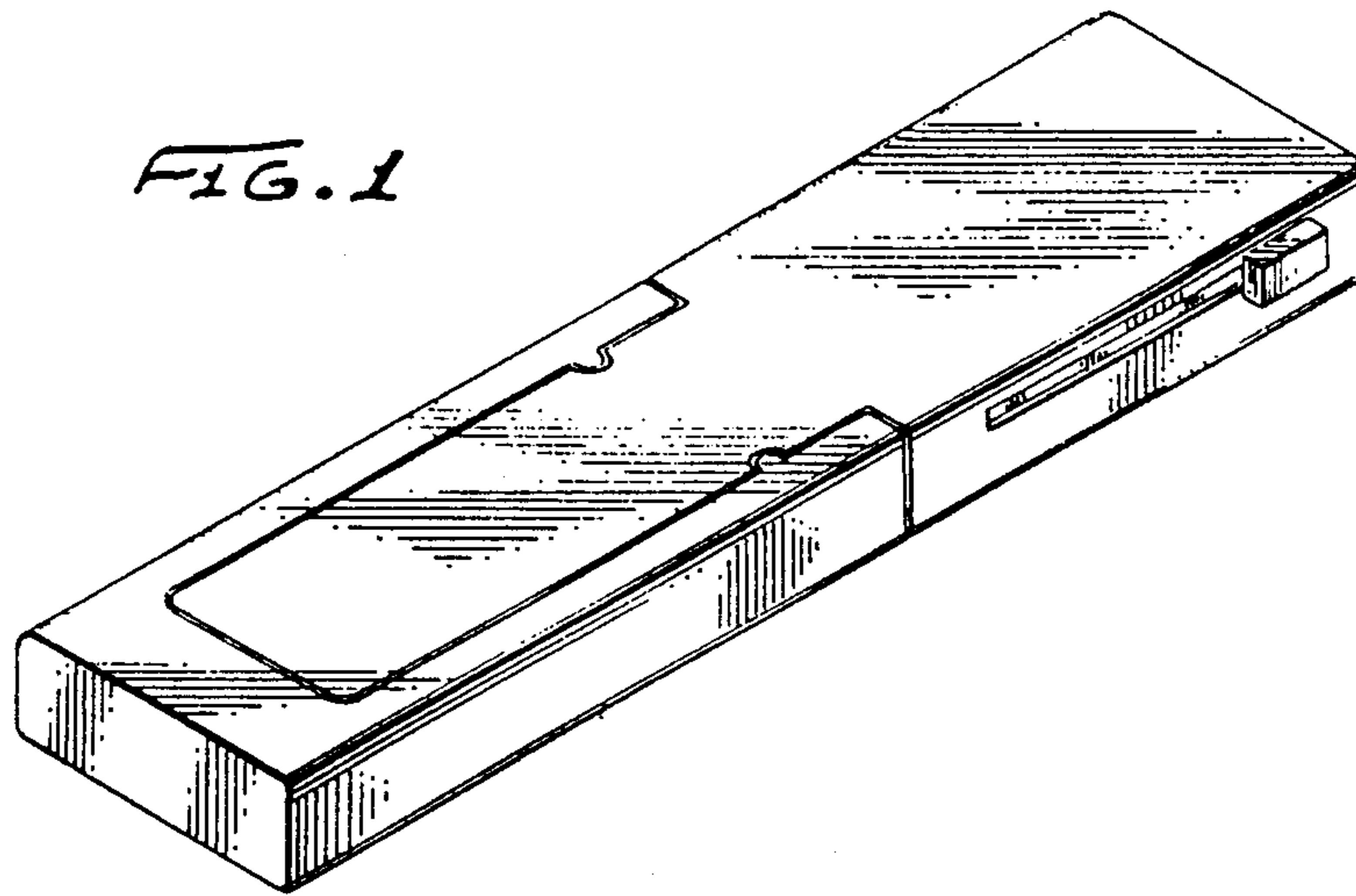


FIG. 2

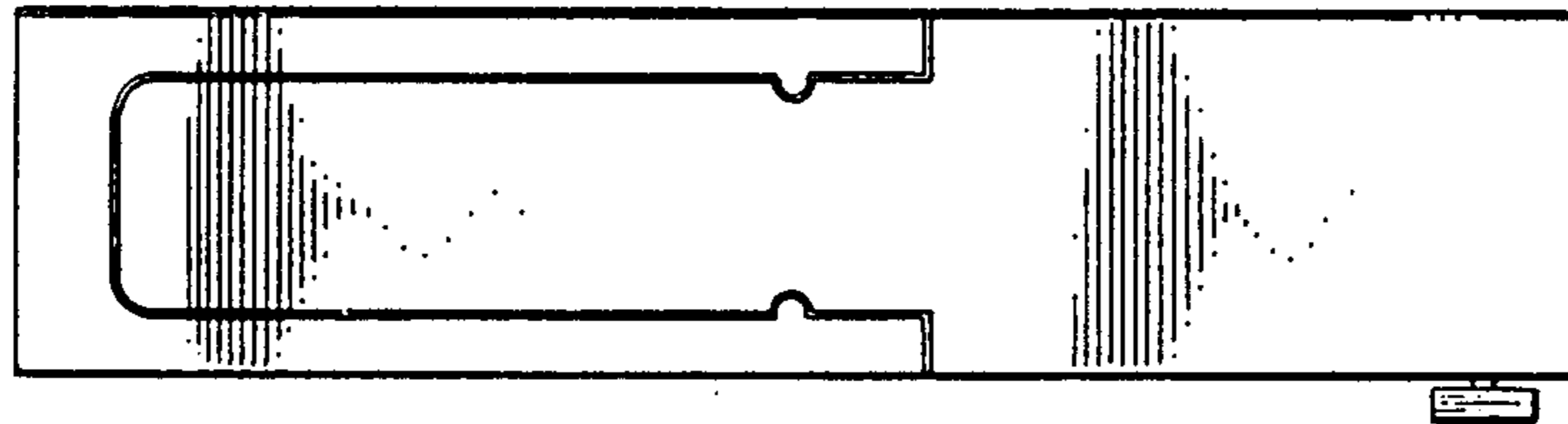


FIG. 3

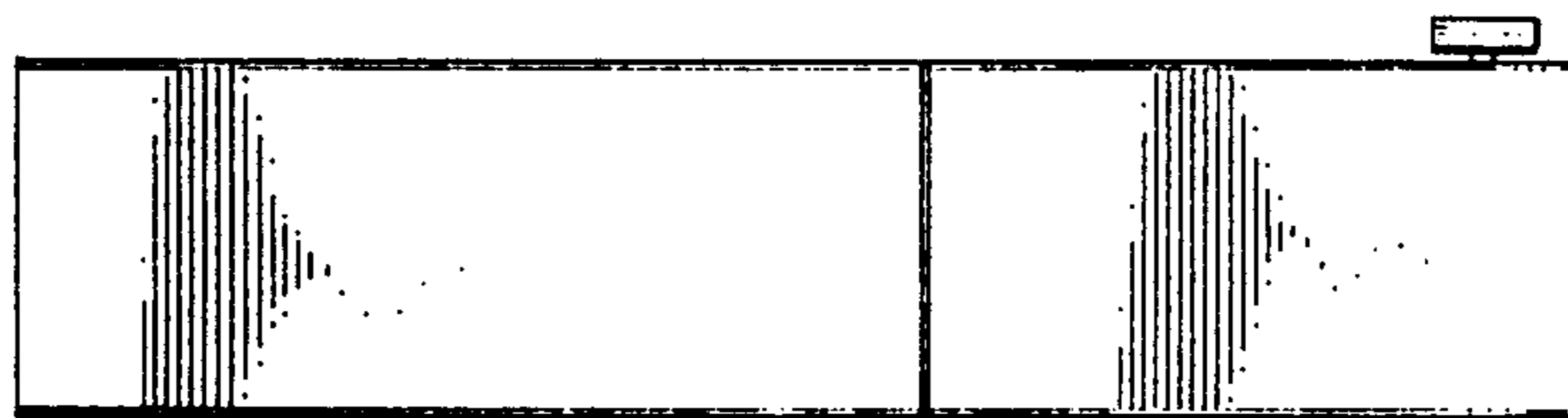


FIG. 4



FIG. 5



FIG. 6

