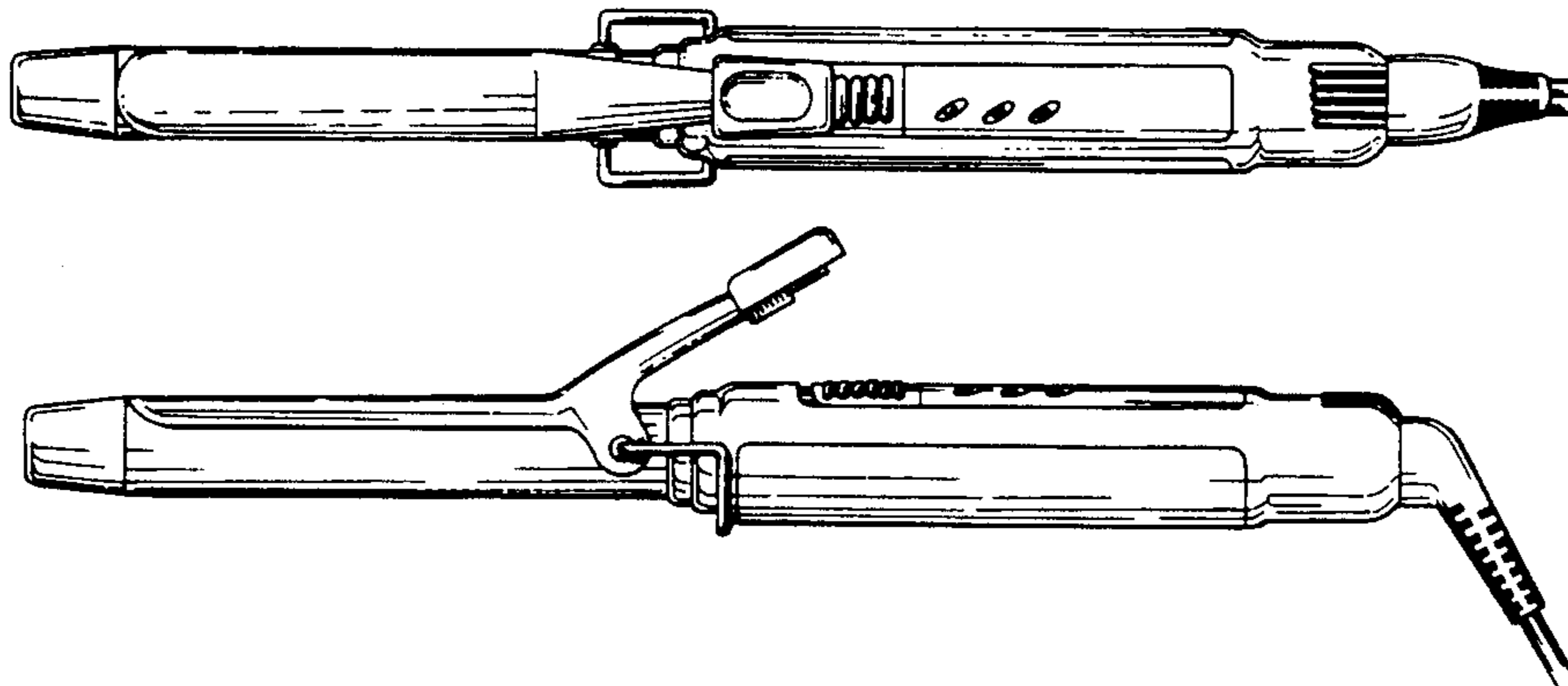


[54] **HAIR CURLER OR SIMILAR ARTICLE**  
 [75] Inventor: **Elizabeth Ho, Kowloon, Hong Kong**  
 [73] Assignee: **Windmere Corporation, Miami Lakes, Fla.**  
 [\*\*] Term: **14 Years**  
 [21] Appl. No.: **257,030**  
 [22] Filed: **Oct. 12, 1988**  
 [30] **Foreign Application Priority Data**  
 Jun. 7, 1988 [GB] United Kingdom ..... 1051334  
 [52] U.S. Cl. .... **D28/35**  
 [58] Field of Search ..... D28/35, 37, 38;  
 132/226-236, 263, 269, 271; 219/222, 225

[56] **References Cited**  
**U.S. PATENT DOCUMENTS**  
 Re. 30,618 5/1981 Van Dyck et al. .... 219/225  
 D. 276,086 10/1984 Ernest et al. .... D28/35  
 D. 299,278 1/1989 Reeves et al. .... D28/35  
 D. 305,158 12/1989 Vackiner ..... D28/35  
     364,956 6/1887 Posner ..... 132/263  
     943,321 12/1909 Shero ..... 132/224  
 1,105,962 8/1914 Carlson ..... 132/118  
 1,284,792 11/1918 Schwartz ..... 219/225  
 1,465,838 8/1923 Caneavri ..... 132/225  
 1,491,981 4/1924 Brinkman ..... 132/263  
 1,580,370 4/1926 Dondanville et al. .... 132/118  
 1,605,540 11/1926 Gibney ..... 132/127  
 1,622,834 3/1927 Marcel ..... 132/263  
 1,630,078 5/1927 Smith ..... 219/225 X  
 1,693,462 11/1928 Polnaszek ..... 132/232  
 1,694,672 12/1928 Rogler ..... 132/225  
 1,719,232 7/1929 Meade ..... 132/223 X  
 1,937,004 11/1933 Anderson ..... 132/118  
 2,550,295 4/1951 Price ..... 132/263  
 2,611,378 9/1952 King et al. .... 132/259  
 2,730,109 1/1956 Coakley et al. .... 132/256  
 3,102,941 9/1963 Pope ..... 132/232  
 3,224,454 12/1965 Quino et al. .... 132/232  
 3,491,774 1/1970 Carbone ..... 132/272  
 3,516,420 6/1970 Porter ..... 219/225  
 3,731,694 5/1973 Moro ..... 132/118  
 3,847,166 11/1974 Carr ..... 132/269  
 3,859,497 1/1975 McNair ..... 219/225  
 3,935,423 1/1976 Pucci ..... 219/225  
 3,937,230 2/1976 Kenny ..... 132/232

3,955,064 5/1976 Demetrio et al. .... 219/225  
 4,024,375 5/1977 Olesen et al. .... 219/225  
 4,034,201 7/1977 Walter et al. .... 219/222  
 4,075,458 2/1978 Moyer ..... 219/225  
 4,101,757 7/1978 Van Dyck et al. .... 219/225  
 4,163,143 7/1979 Federico et al. .... 219/225  
 4,227,541 10/1980 Satchell ..... 219/225 X  
 4,228,343 10/1980 Kanner et al. .... 219/225  
 4,267,430 5/1981 Downey ..... 219/222  
 4,267,431 5/1981 Rick et al. .... 219/225  
 4,314,137 2/1982 Dorn ..... 219/222  
 4,354,092 10/1982 Manabe et al. .... 219/225  
 4,365,140 12/1982 Bast et al. .... 219/225  
 4,426,567 1/1984 Gugliotti ..... 219/225  
 4,464,562 8/1984 Takimae ..... 219/225  
 4,477,716 10/1984 Thaler et al. .... 219/225  
 4,479,047 10/1984 Khaja et al. .... 219/225  
 4,492,241 1/1985 Thaler et al. .... 132/229  
 4,567,904 2/1986 Pitcher et al. .... 219/225 X  
 4,581,519 4/1986 Thaler et al. .... 219/225  
 4,604,514 8/1986 Thaler et al. .... 219/225  
 4,641,010 2/1987 Abura et al. .... 219/222  
 4,697,066 9/1987 Glucksman ..... 219/225

**FOREIGN PATENT DOCUMENTS**  
 502638 5/1951 Belgium .  
 550696 9/1956 Belgium .  
 1015238 8/1977 Canada .  
 1060518 8/1979 Canada .  
 0021941 1/1981 European Pat. Off. .  
 0053942 6/1982 European Pat. Off. .  
 2615267 10/1977 Fed. Rep. of Germany .  
 3535831A 4/1987 Fed. Rep. of Germany .  
     669479 2/1929 France .  
     940409 2/1947 France .  
     2310105 11/1976 France .  
 25-012468 1/1950 Japan .  
 54-135062 10/1979 Japan .  
     58-92307 6/1981 Japan .  
     452728 5/1981 Switzerland .  
     366532 2/1932 United Kingdom .  
     1326121 8/1973 United Kingdom ..... 219/225  
     1358562 7/1974 United Kingdom .  
 2021943A 12/1979 United Kingdom ..... 219/222  
 2082908A 3/1982 United Kingdom .  
     481808 3/1983 United Kingdom .  
 2106384A 4/1983 United Kingdom .  
 2133686A 8/1984 United Kingdom .  
 2141927A 1/1985 United Kingdom .  
 2167953A 6/1985 United Kingdom .



2154408A 9/1985 United Kingdom .  
2174896A 11/1986 United Kingdom .  
2032271A 5/1990 United Kingdom .

**OTHER PUBLICATIONS**

Hong Kong Enterprise, 11/87, p. 213, top right of page,  
curling brush handle at top.

*Primary Examiner*—Bernard Ansher  
*Assistant Examiner*—C. Tuttle  
*Attorney, Agent, or Firm*—Dickstein, Shapiro & Morin

[57]

**CLAIM**

The ornamental design for the hair curler or similar article, as shown and described.

**DESCRIPTION**

FIG. 1 is a top plan view of a hair curler or similar article, showing my new design;  
FIG. 2 is a left side elevational view thereof;  
FIG. 3 is a bottom plan view thereof;  
FIG. 4 is a right side elevational view thereof;  
FIG. 5 is an end elevational view thereof, as seen from the barrel portion; and  
FIG. 6 is an end elevational view thereof, as seen from the handle portion.  
The fragmentary cord portion is shown for ease of illustration.

FIG. 1

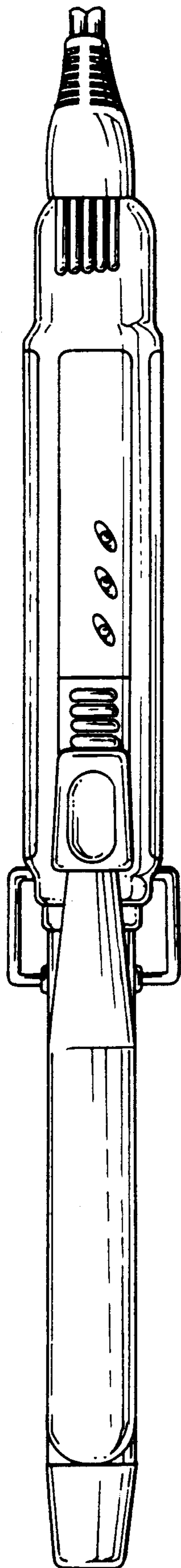


FIG. 2

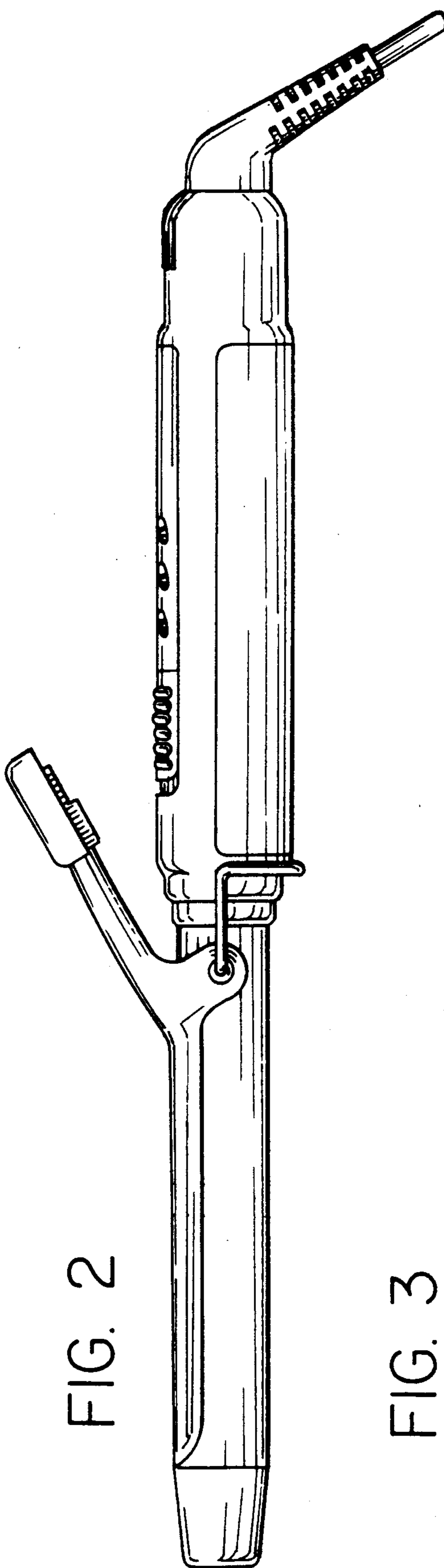
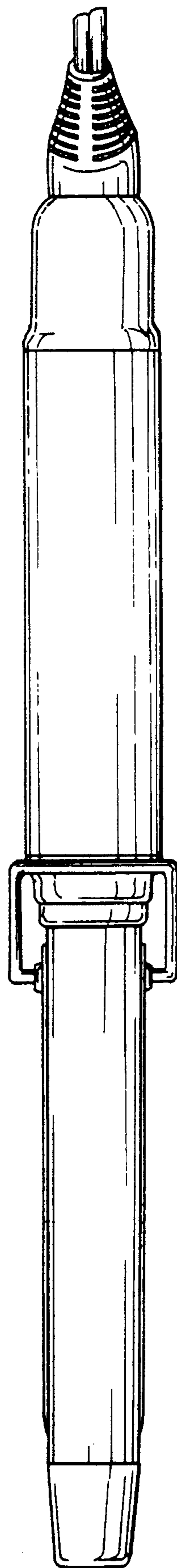


FIG. 3





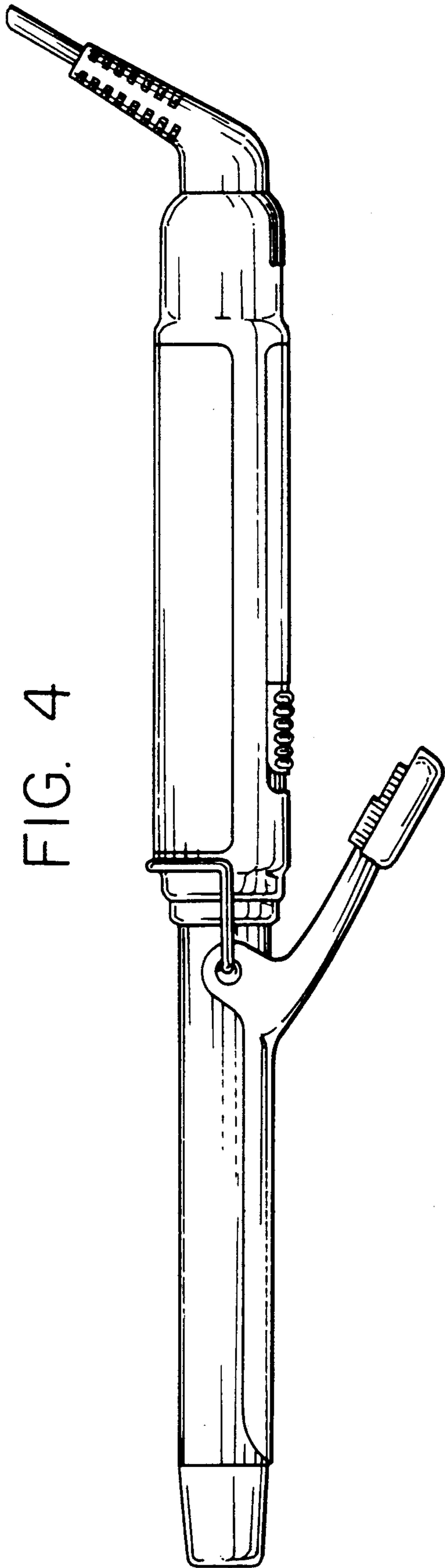


FIG. 4

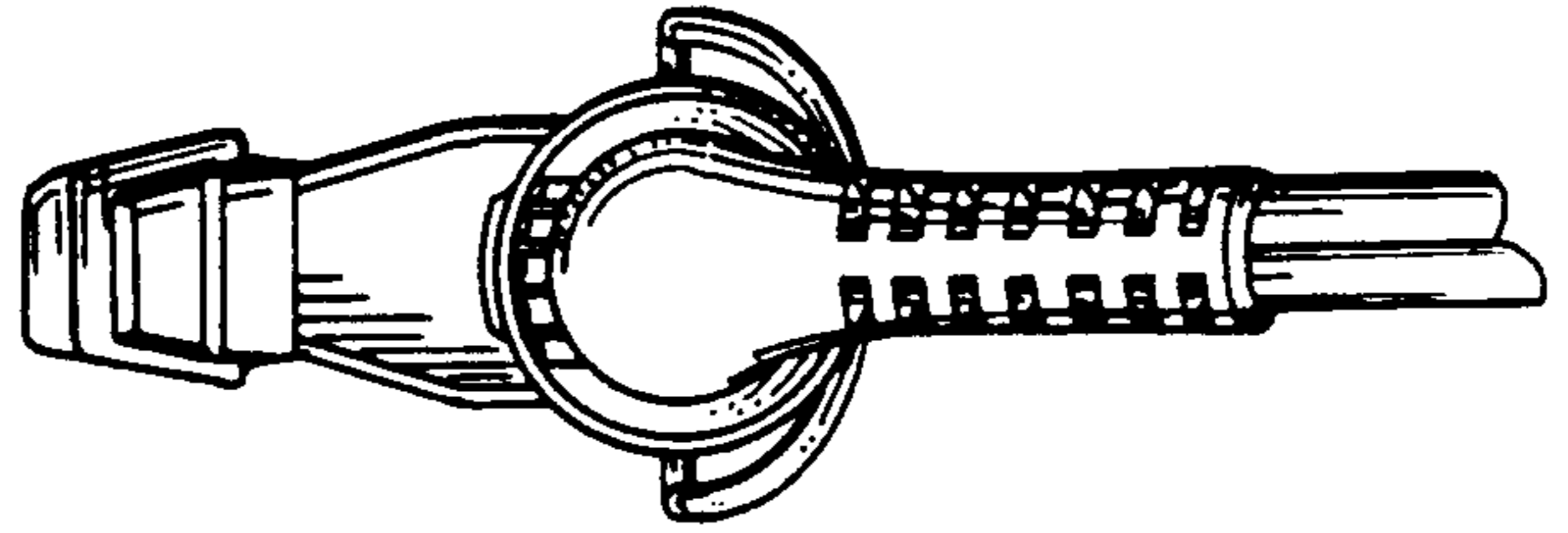


FIG. 6

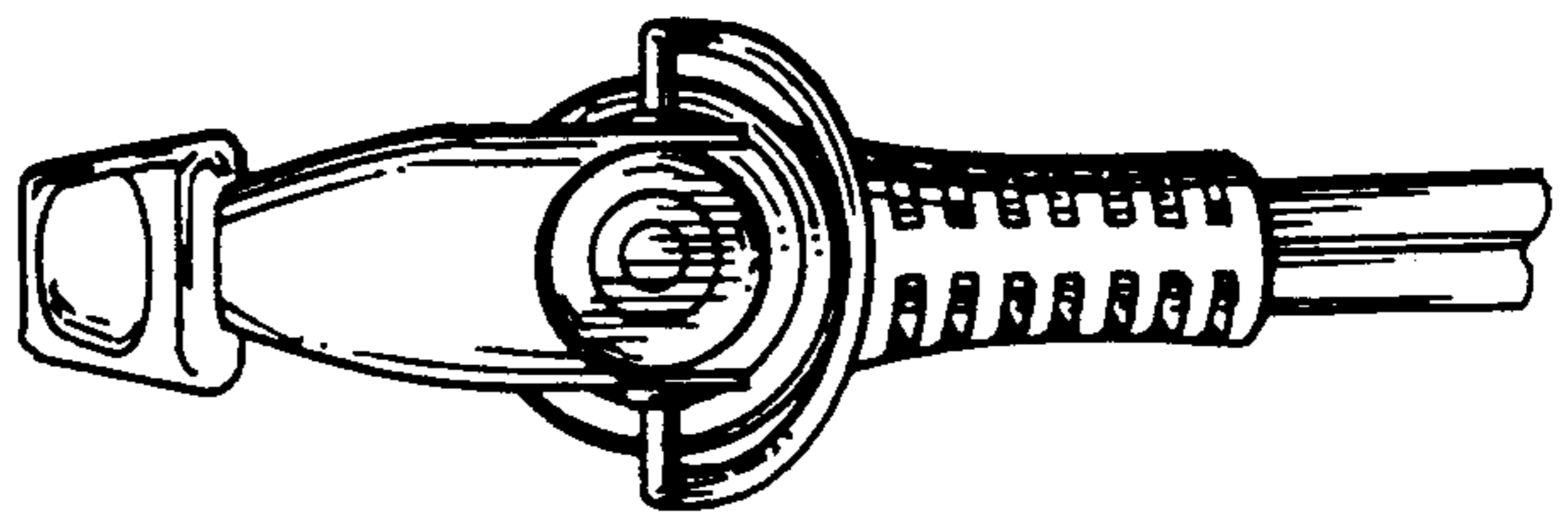


FIG. 5