

[54] HAIR STREAKING APPLICATOR FOR BLEACH OR HAIR TINT

4,566,772 1/1986 Mueller et al. .... 132/116 X  
4,727,893 3/1988 Goncalves ..... 132/116 X

[76] Inventor: Anita F. Jones, 12198 Fox Point, Maryland Heights, Mo. 63043

[\*\*] Term: 14 Years

[21] Appl. No.: 236,139

[22] Filed: Aug. 25, 1988

[52] U.S. Cl. .... D28/20

[58] Field of Search ..... D28/7, 10, 18, 20;  
132/270, 271, 320, 202, 208, 212, 112, 115;  
222/206, 214, 215, 220; 401/263, 265, 268;  
D9/338

[56] References Cited

U.S. PATENT DOCUMENTS

4,121,602 10/1978 Young ..... 132/113  
4,385,638 5/1983 Hasegawa ..... 132/270  
4,408,919 10/1983 Wolff et al. .... 401/12  
4,516,591 5/1985 Hierholzer ..... 401/265 X

OTHER PUBLICATIONS

Photocopy of box from Italian Company, "arcobaleno s.n.c.-Brevettato".

Primary Examiner—B. J. Bullock

Assistant Examiner—C. Tuttle

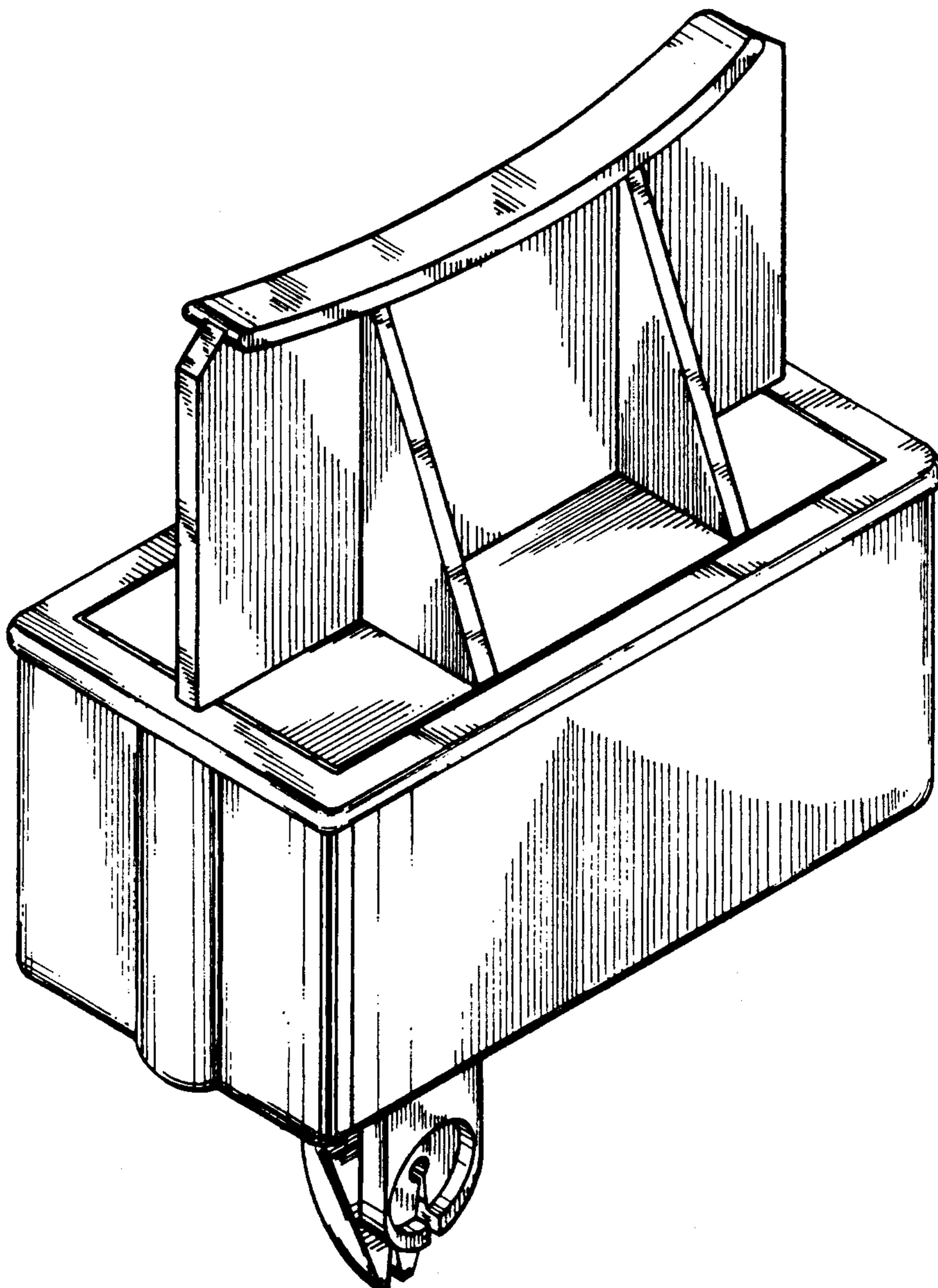
Attorney, Agent, or Firm—Paul M. Denk

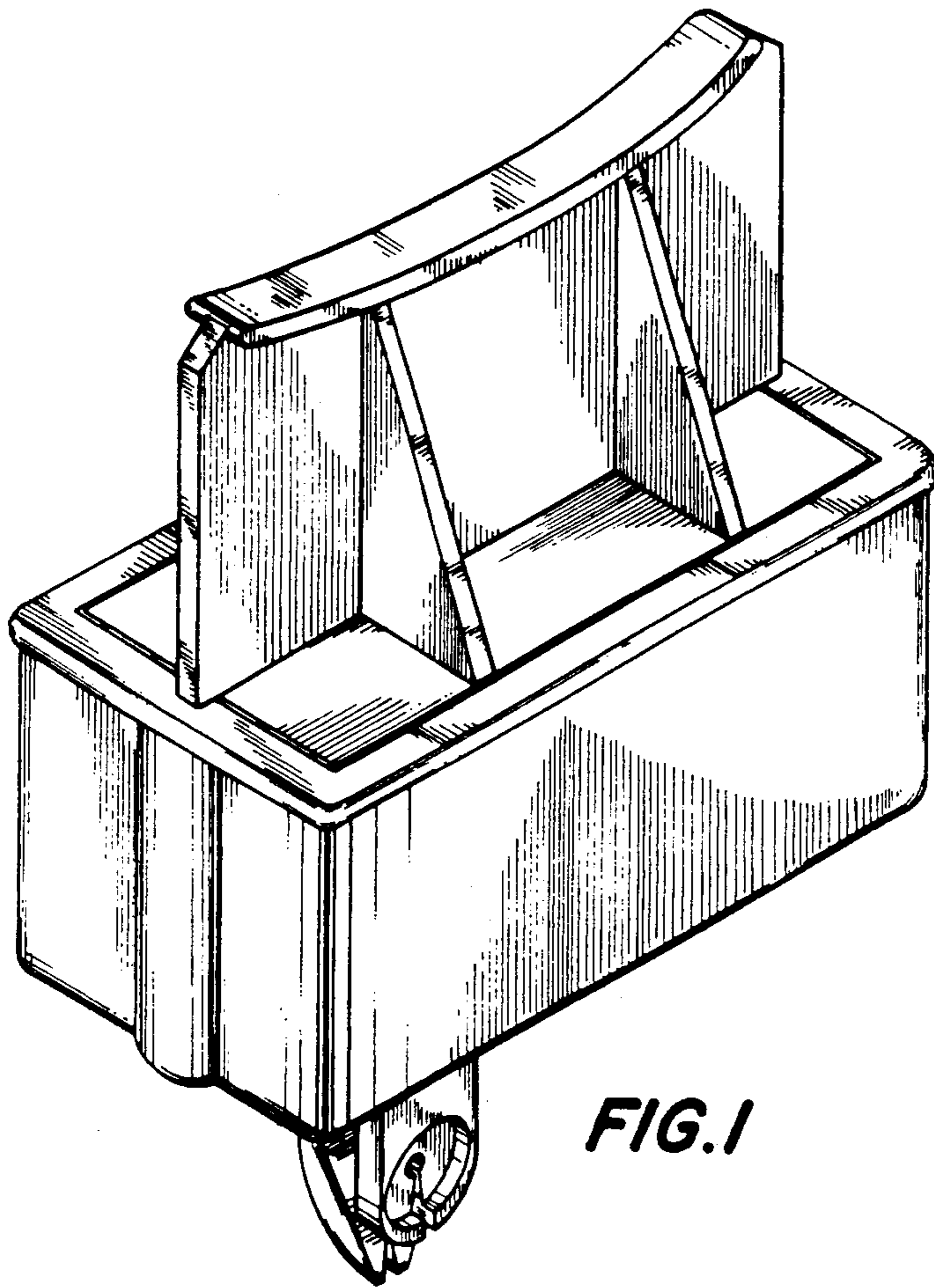
[57] CLAIM

The ornamental design for hair streaking applicator for bleach or hair tint, as shown and described.

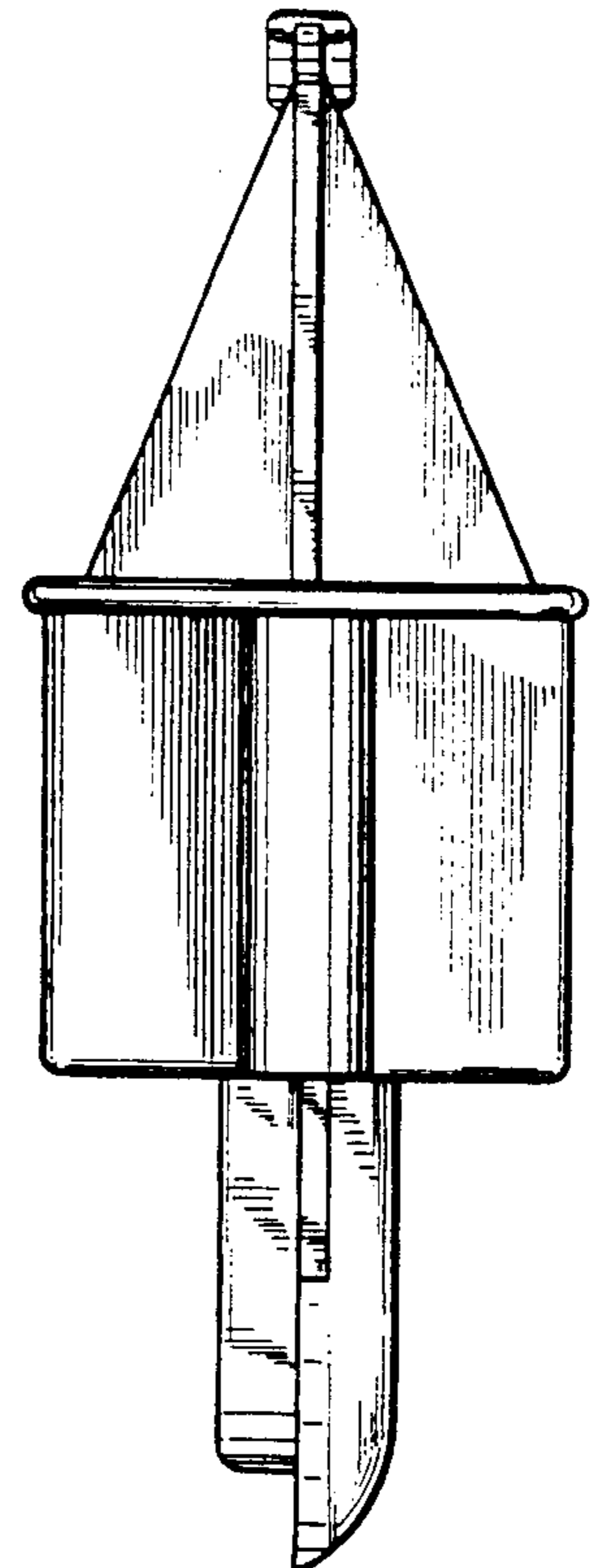
DESCRIPTION

FIG. 1 is an isometric view of a hair streaking applicator for bleach or hair tint showing my new design; FIG. 2 is a top plan view thereof; FIG. 3 is a right side elevational view thereof; FIG. 4 is a bottom plan view thereof; FIG. 5 is a front elevational view thereof; and FIG. 6 is a rear elevational view thereof.

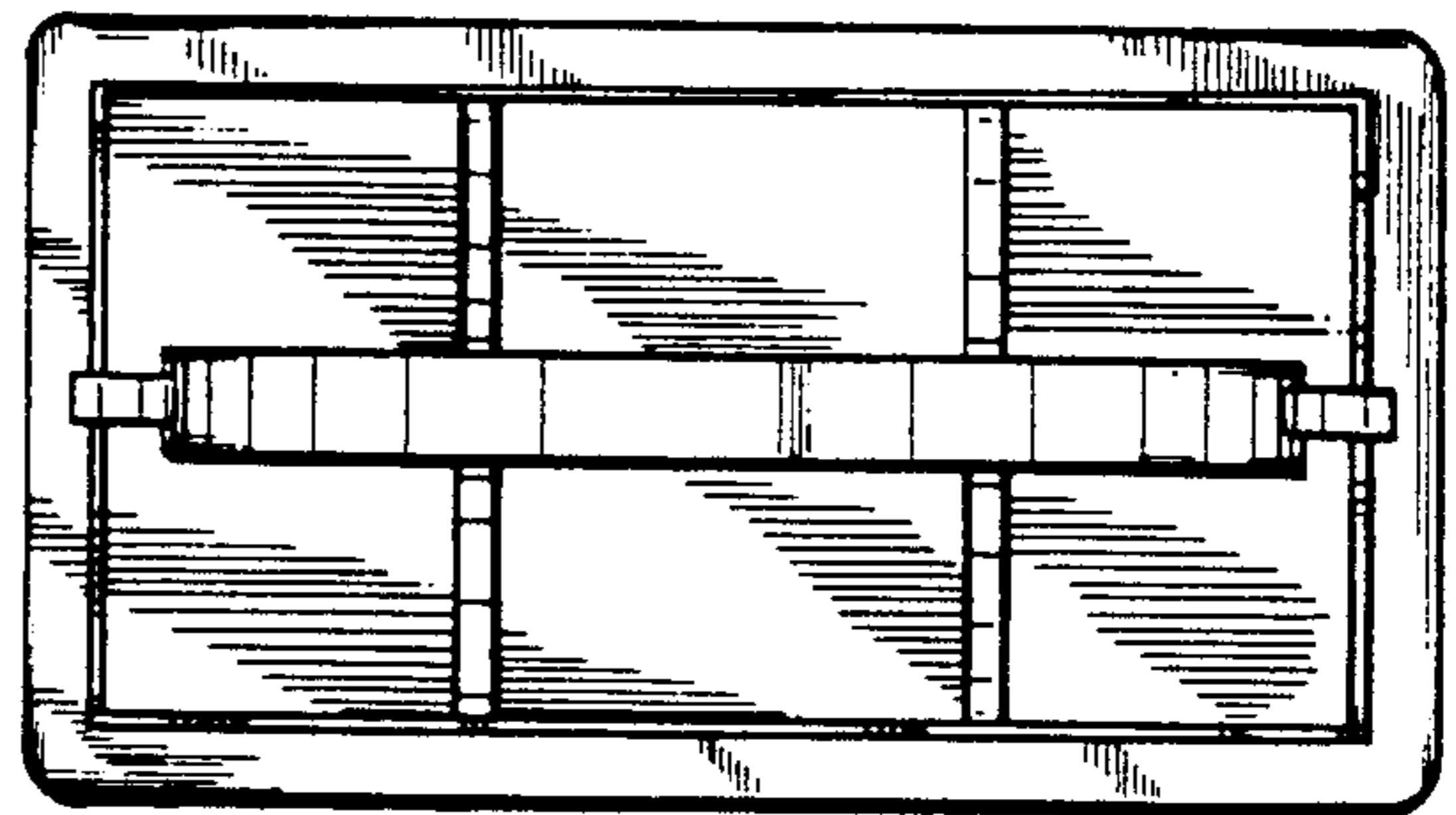




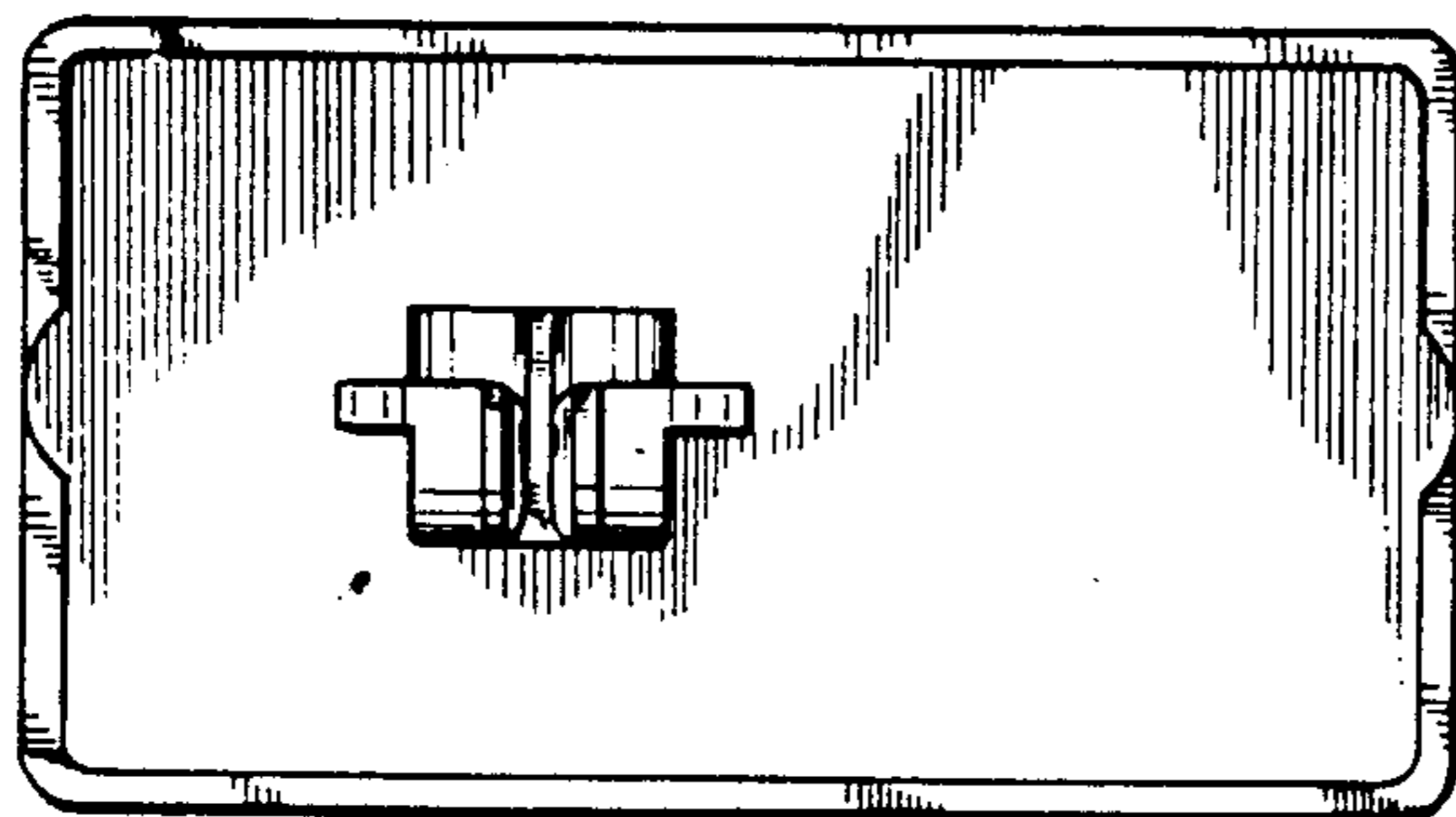
**FIG. 1**



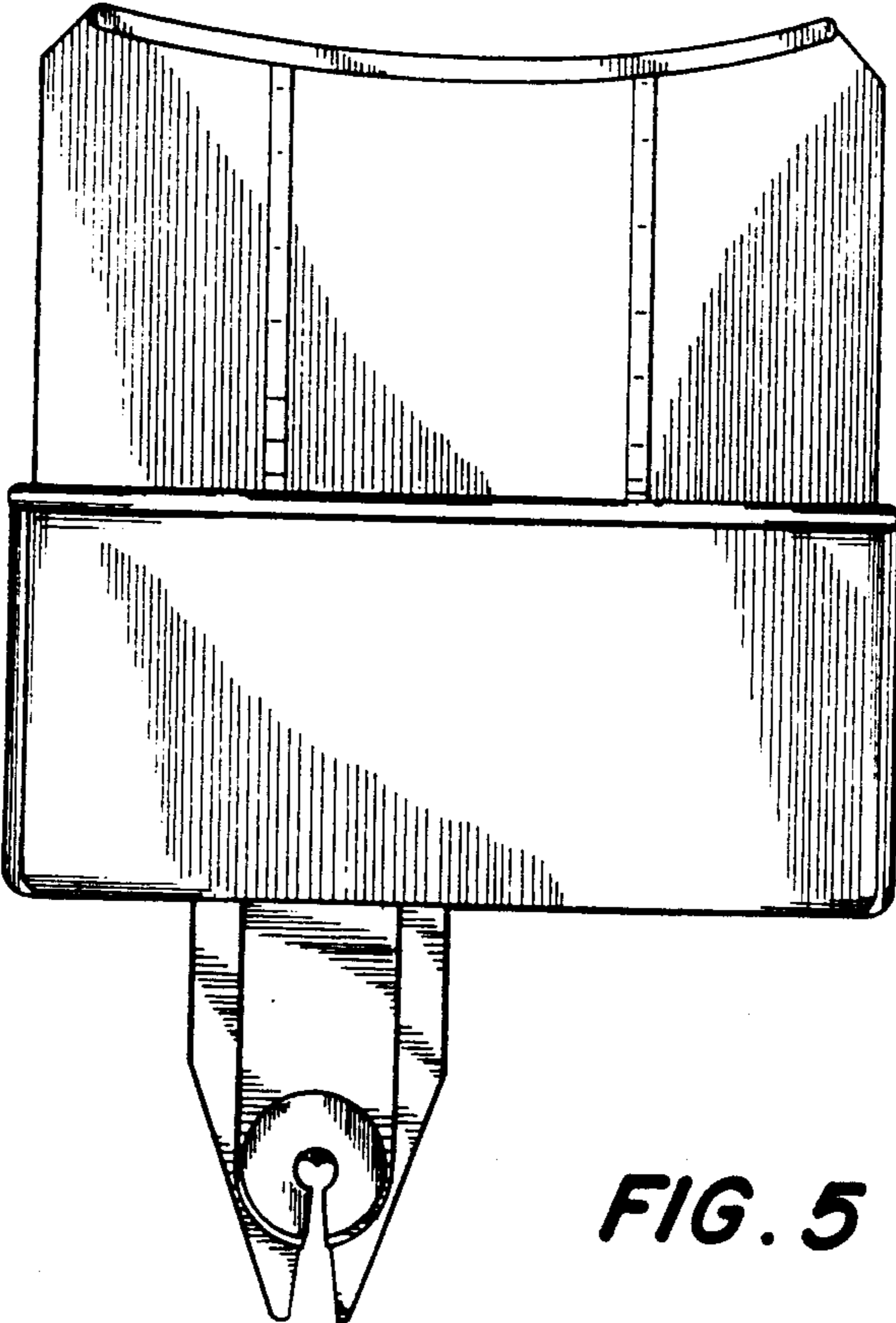
**FIG. 3**



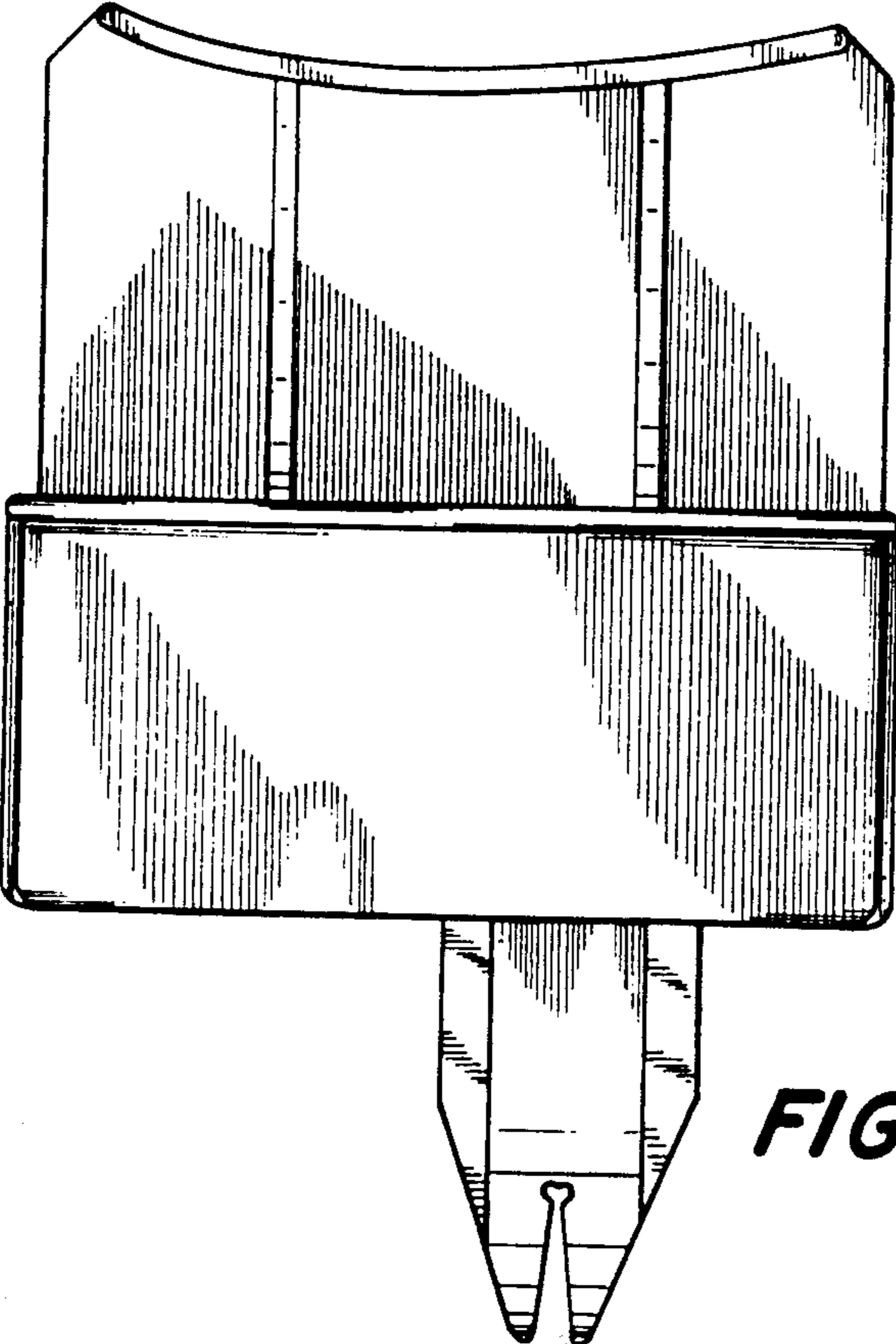
**FIG. 2**



**FIG. 4**



**FIG. 5**



**FIG. 6**