

[54] BICYCLE HEADLAMP

[75] Inventors: Jean-Claude Monier, Colombes; Raymond Benoit, Saint-Marcel, both of France

[73] Assignee: Cipel, S.A., Lavallois-Perret, France

[\*\*] Term: 14 Years

[21] Appl. No.: 92,289

[22] Filed: Sep. 2, 1987

[30] Foreign Application Priority Data

Apr. 2, 1987 [FR] France ..... 87 1949
[52] U.S. Cl. .... D26/28; D26/37
[58] Field of Search ..... 340/432, 468-476; D26/28-35, 37, 38, 40, 46, 49, 50; 362/72, 157, 158, 183, 189, 191-194, 196, 197, 200-206, 208

[56] References Cited

U.S. PATENT DOCUMENTS

Table with 4 columns: Patent No., Date, Inventor, and U.S. Cl. No. containing references like D. 275,423 9/1984 Stansbury, Jr. et al. .... D26/37

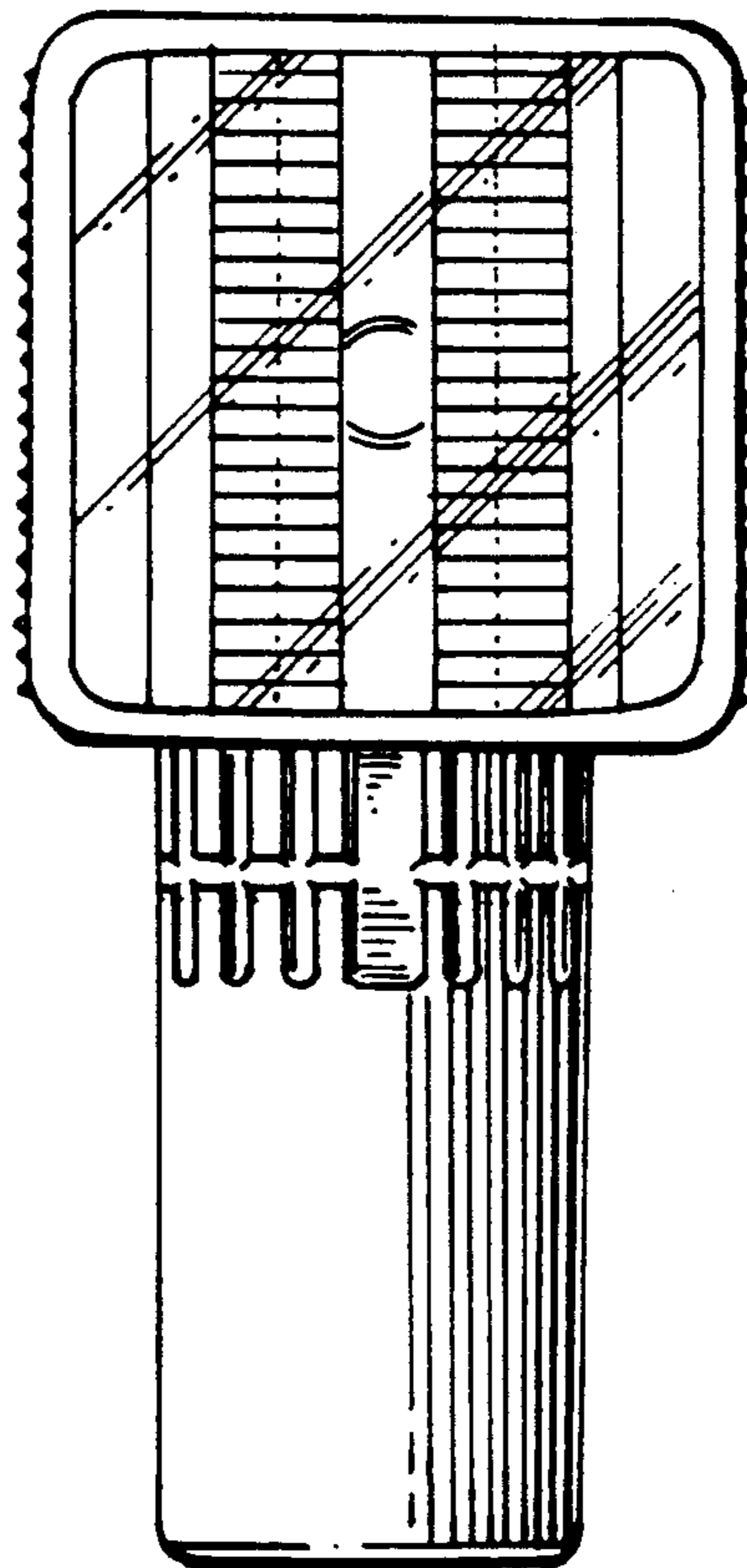
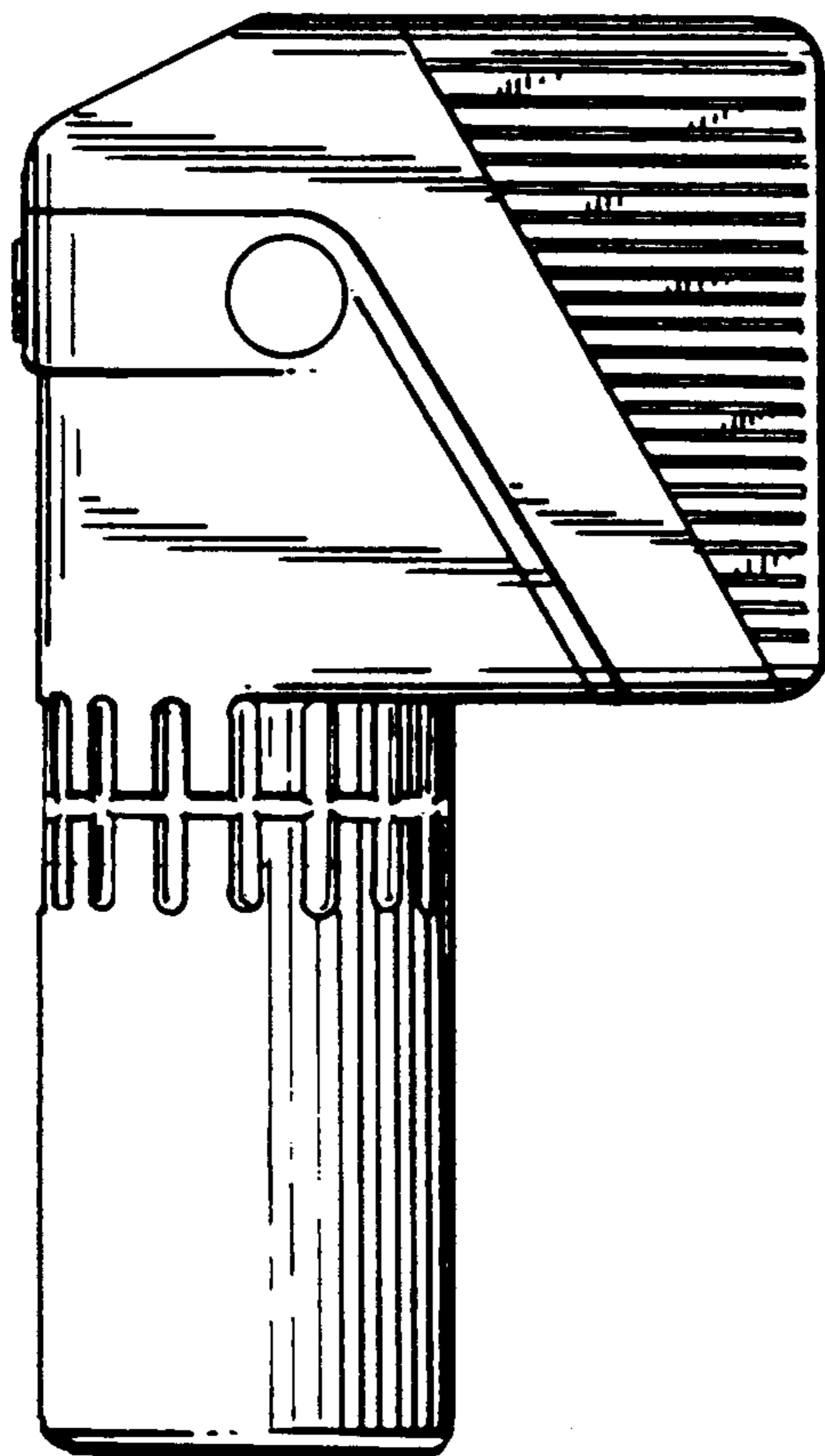
Primary Examiner—Susan J. Lucas
Attorney, Agent, or Firm—Kenyon & Kenyon

[57] CLAIM

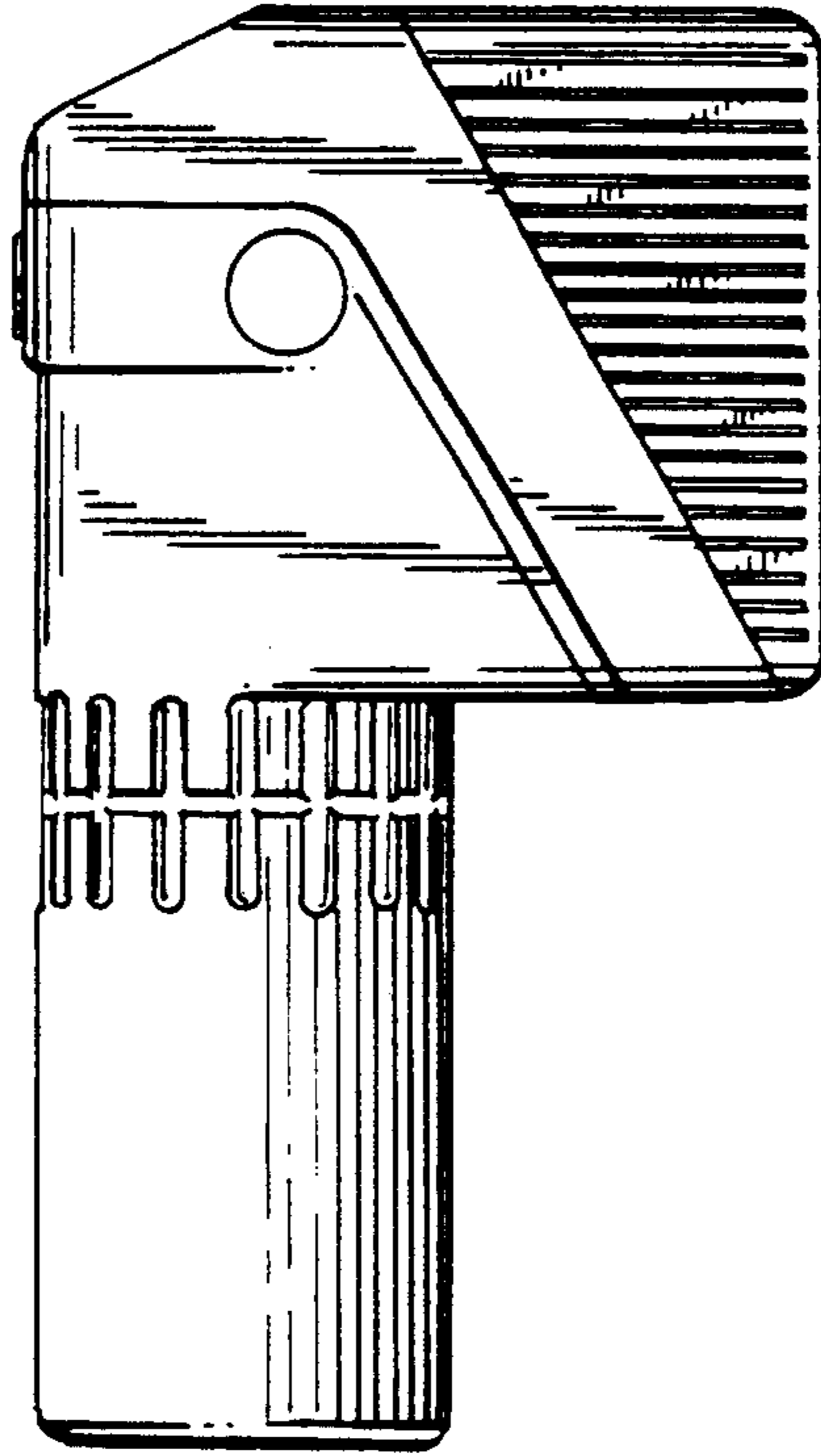
The ornamental design for bicycle headlamp, as shown and described.

DESCRIPTION

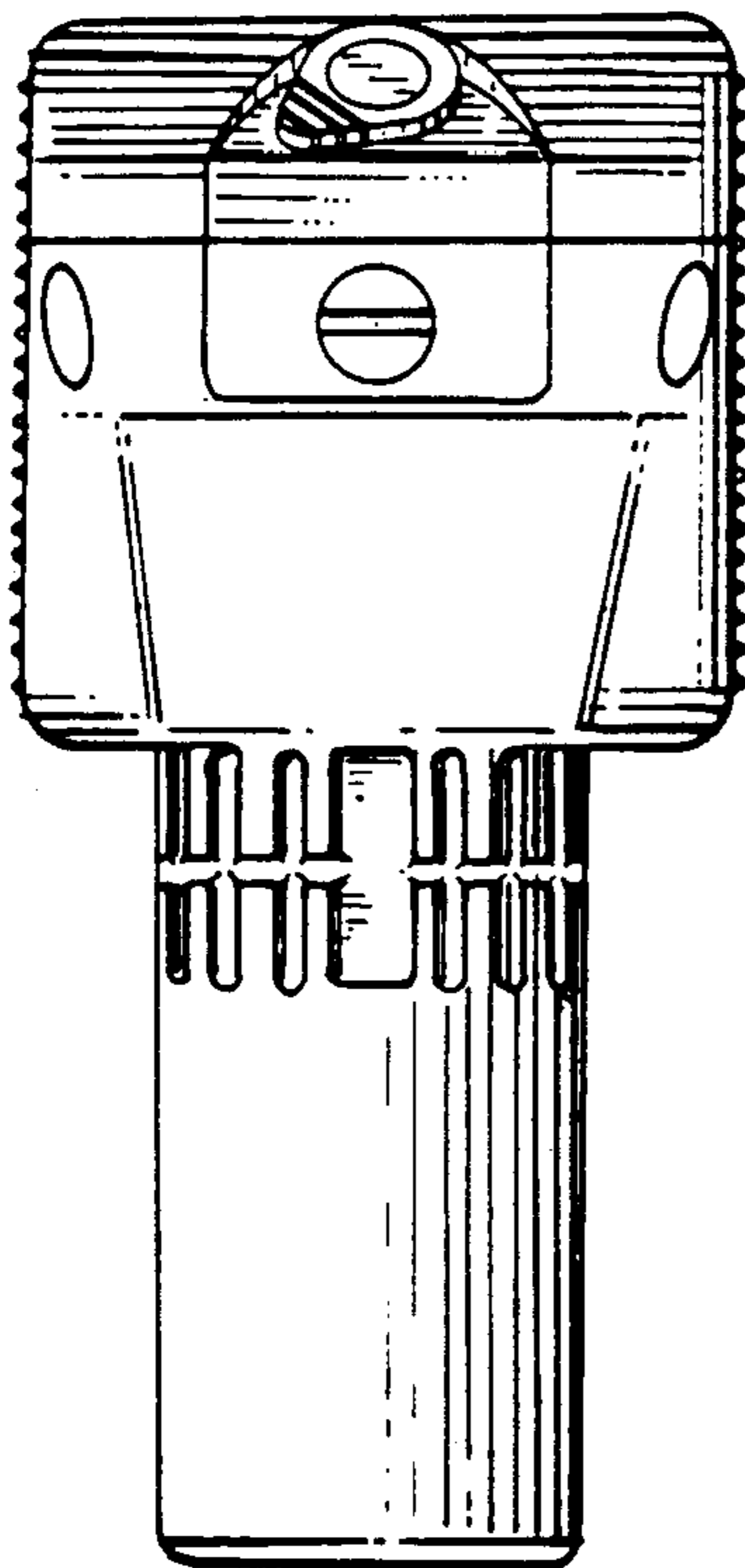
FIG. 1 is a right side elevation view of a bicycle headlamp showing our new design;
FIG. 2 is a rear elevation view thereof;
FIG. 3 is a front elevation view thereof;
FIG. 4 is a top plan view thereof, the depicted switch being displaceable through at least two positions including the left position shown;
FIG. 5 is a bottom plan view thereof; and
FIG. 6 is a top, left rear perspective view thereof.



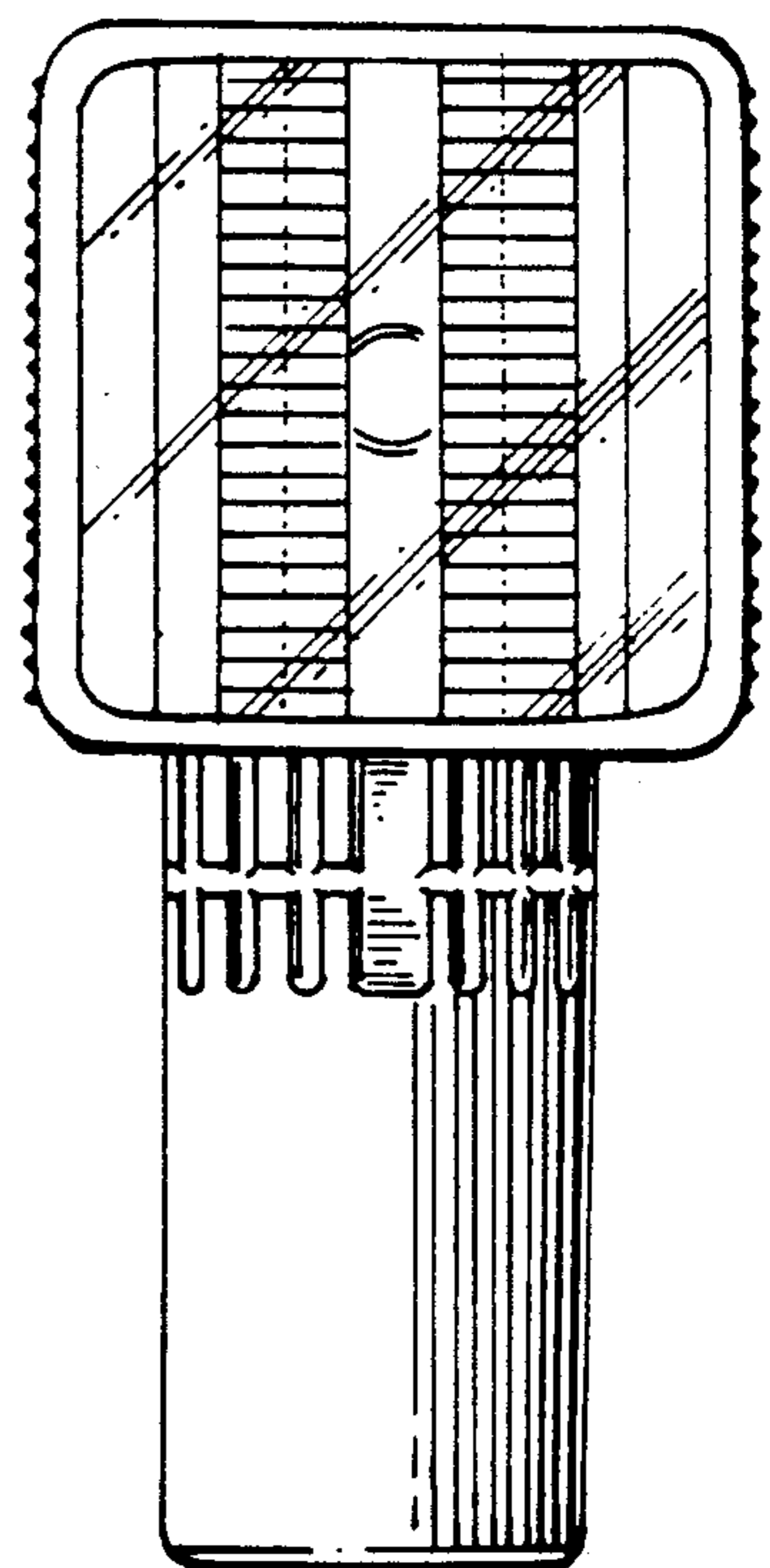
*FIG. 1.*



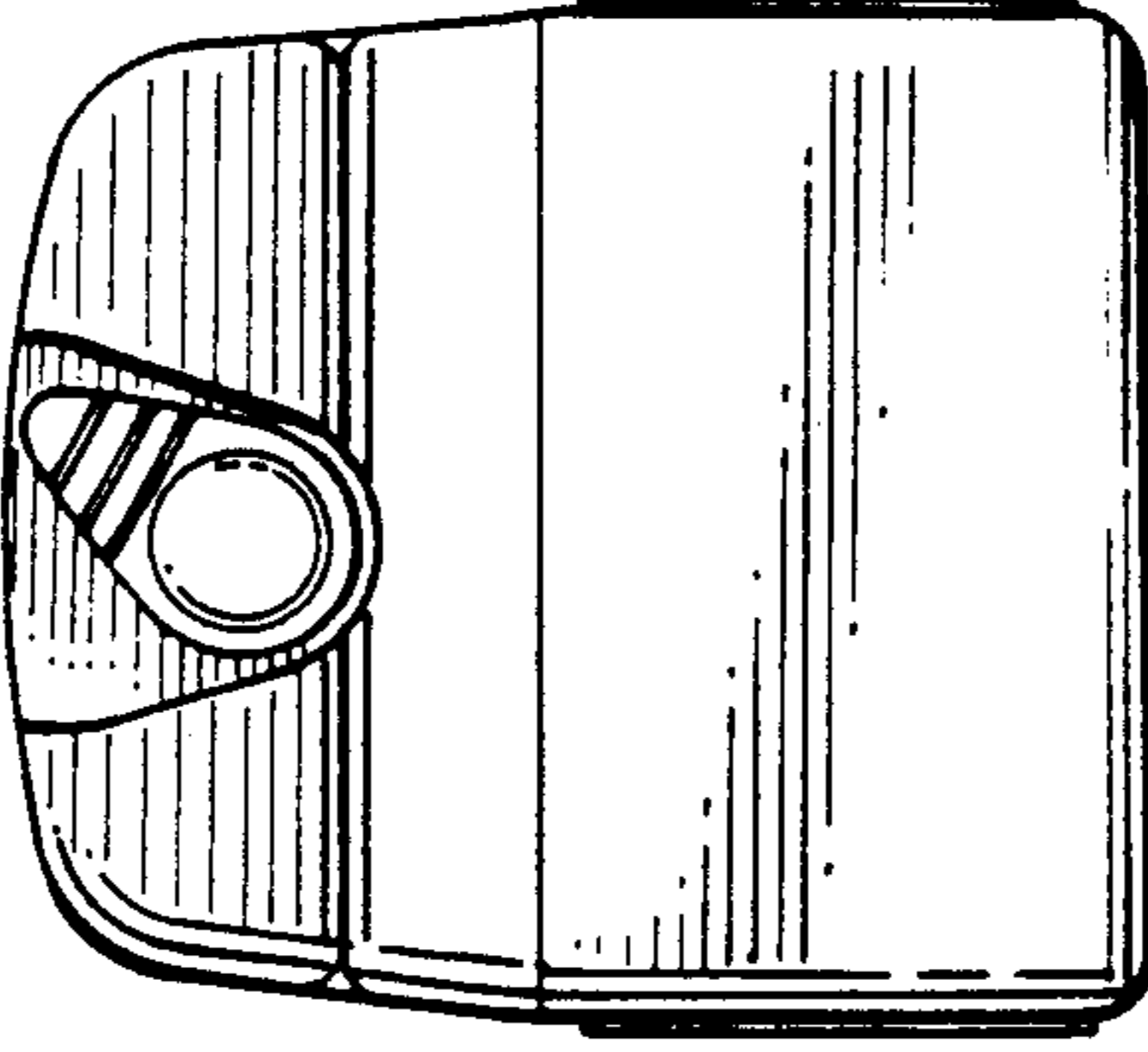
*FIG. 2.*



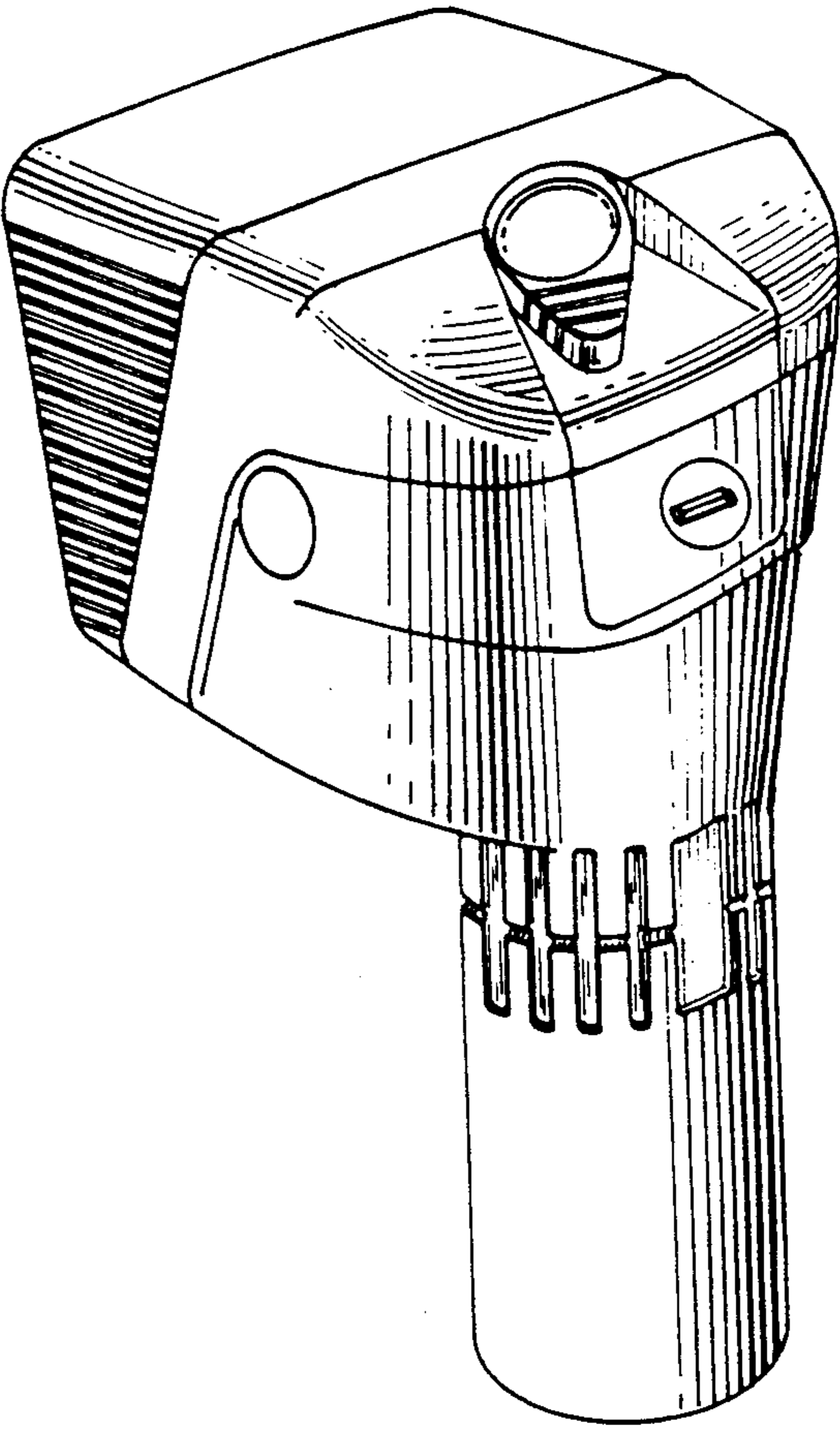
*FIG. 3.*



*FIG. 4.*



*FIG. 6.*



*FIG. 5.*

