

- [54] ENCLOSURE FOR A STUDIO
- [75] Inventor: John R. Grindon, Hazelwood, Mich.
- [73] Assignee: P&W/LBP Master Partnership,  
Hazelwood, Mo.
- [\*\*] Term: 14 Years
- [21] Appl. No.: 22,340
- [22] Filed: Mar. 5, 1987
- [52] U.S. Cl. .... D25/13
- [58] Field of Search ..... D25/1, 13; 52/28, 36,  
52/82, 81

Primary Examiner—A. Hugo Word  
 Assistant Examiner—Doris V. Coles  
 Attorney, Agent, or Firm—Haverstock, Garrett and  
 Roberts

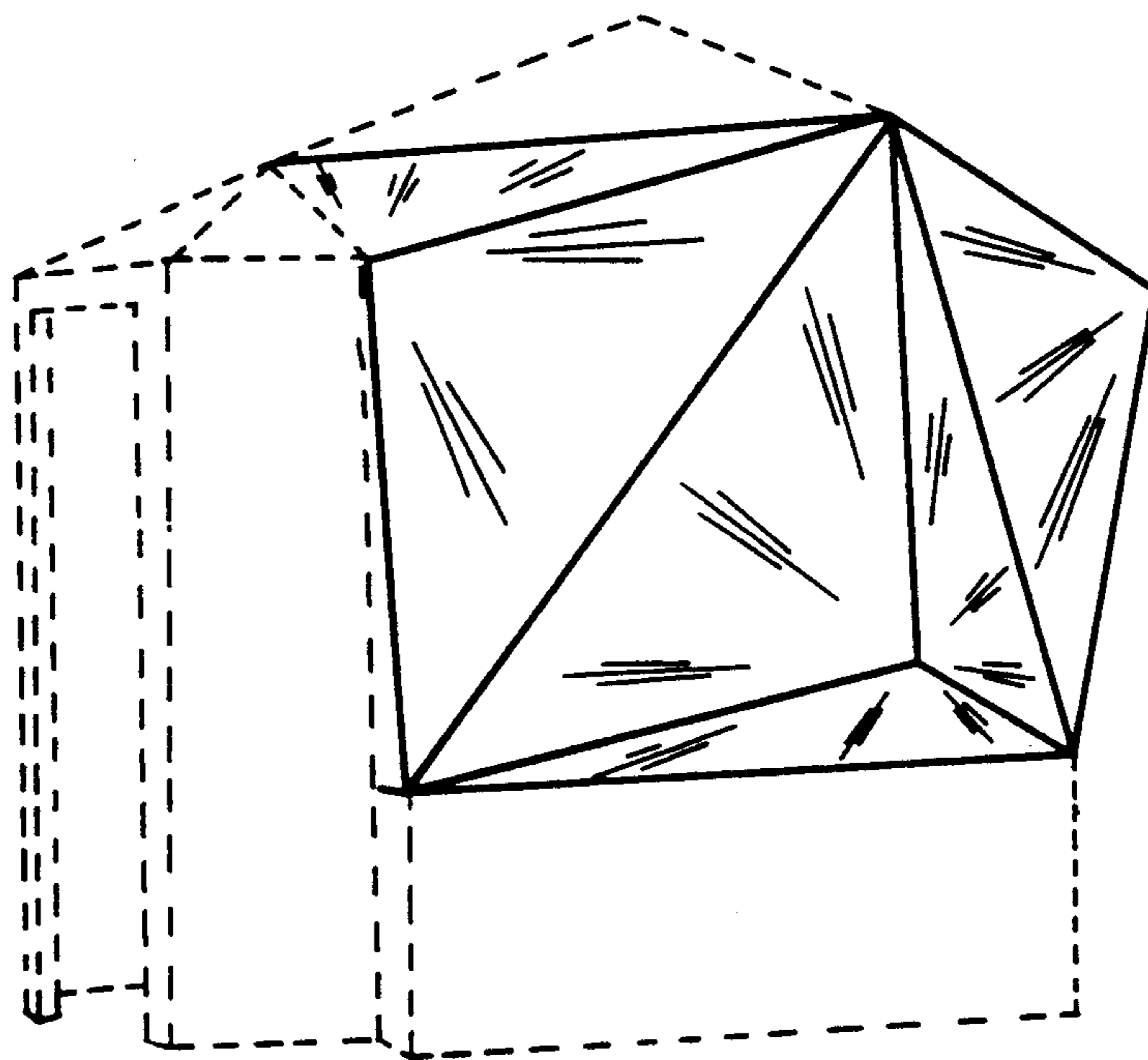
[57] CLAIM

The ornamental design for an enclosure for a studio, as shown and described.

DESCRIPTION

FIG. 1 is a perspective view of an enclosure for a studio showing my new design, the broken line showing of the studio is for illustrative purposes only and forms no part of the claimed design;  
 FIG. 2 is a top plan view thereof;  
 FIG. 3 is a side elevational view thereof taken from direction 3 in FIG. 2; and  
 FIG. 4 is a side elevational view thereof taken from direction 4 in FIG. 2.

- [56] References Cited
- U.S. PATENT DOCUMENTS
- D. 217,760 6/1970 Critchlow ..... D25/13
- 4,425,740 1/1984 Golden ..... D25/19 X
- 4,471,586 9/1984 Shuch et al. .... D25/13 X



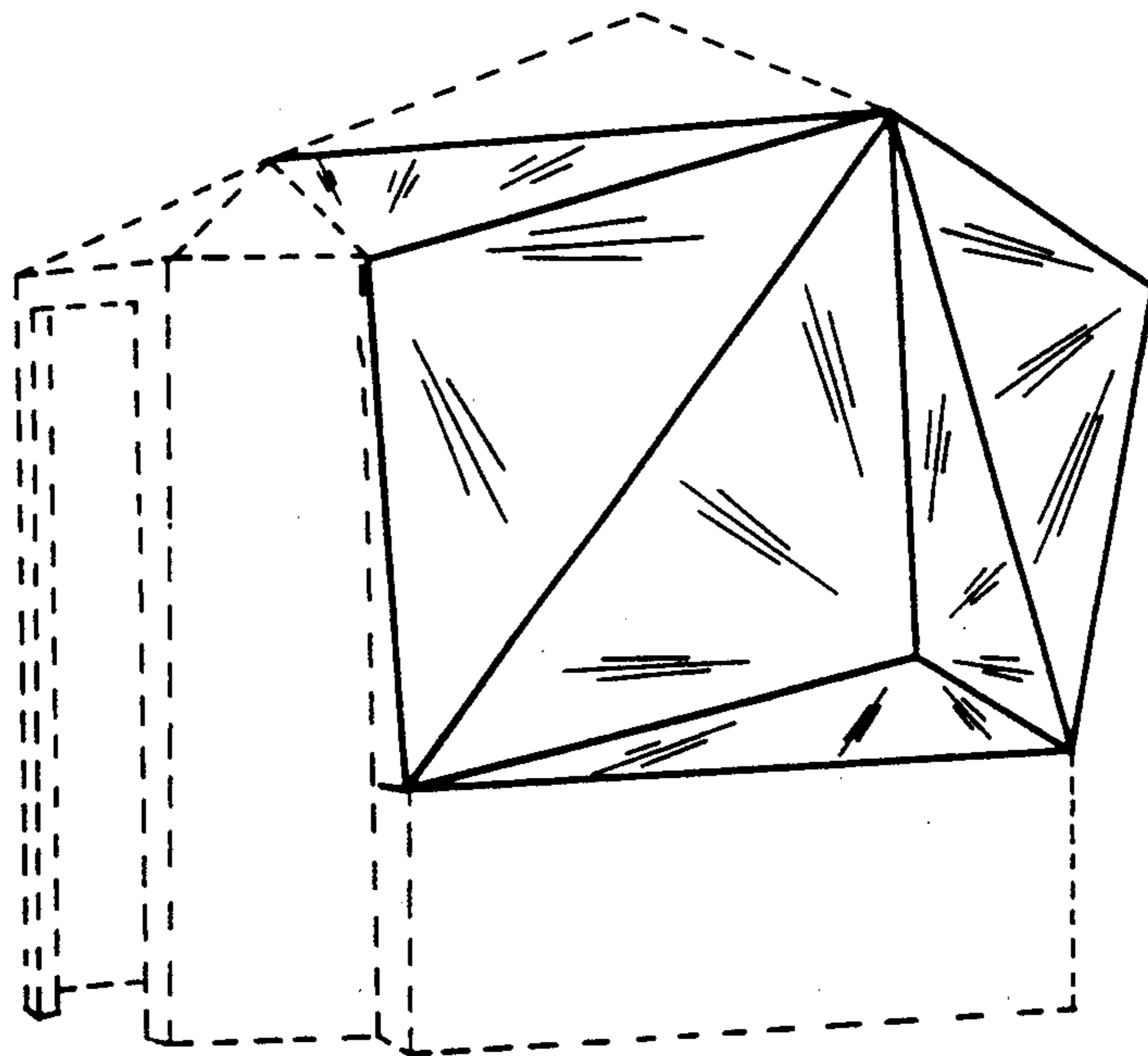


Fig. 1

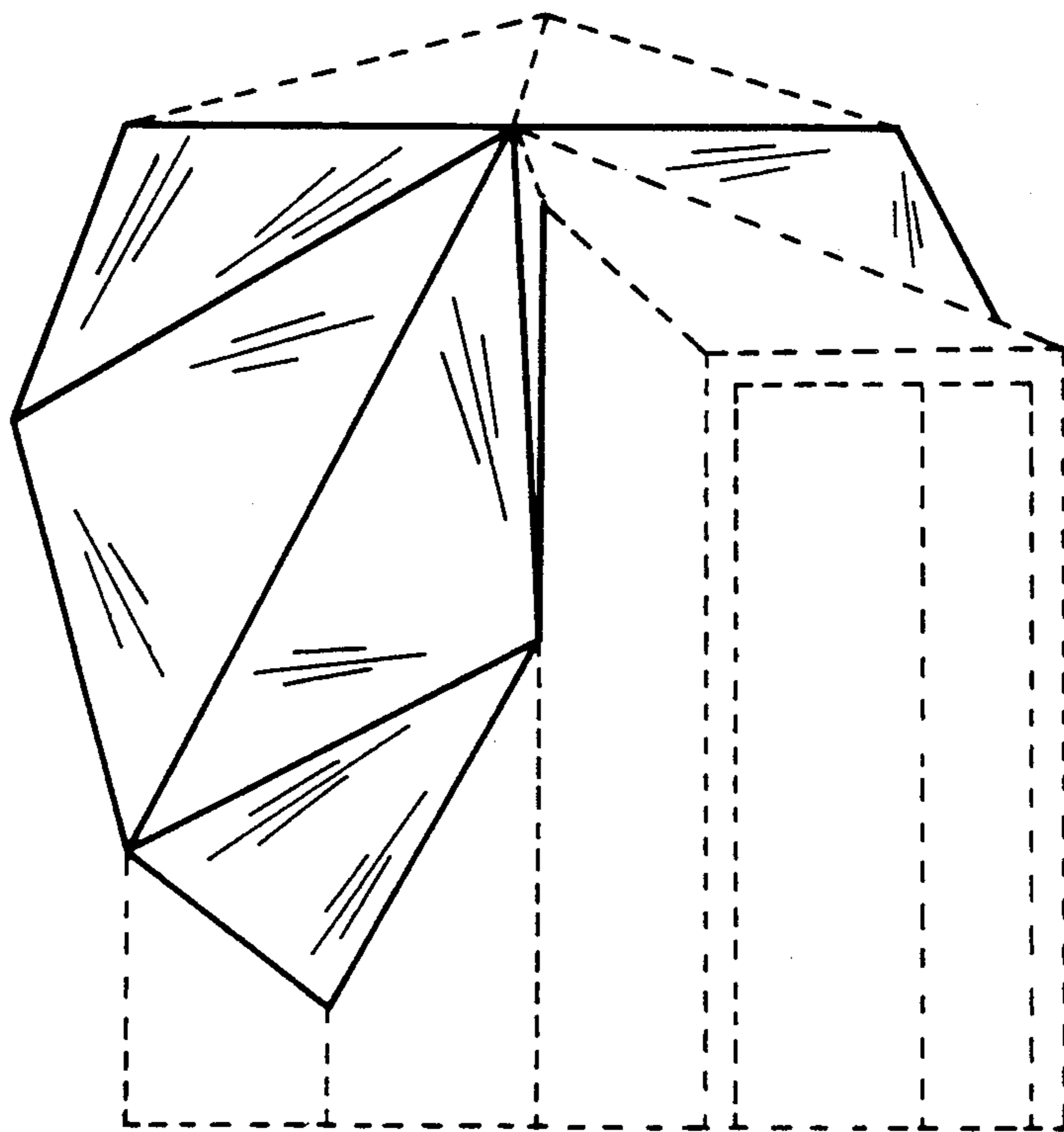


Fig. 3

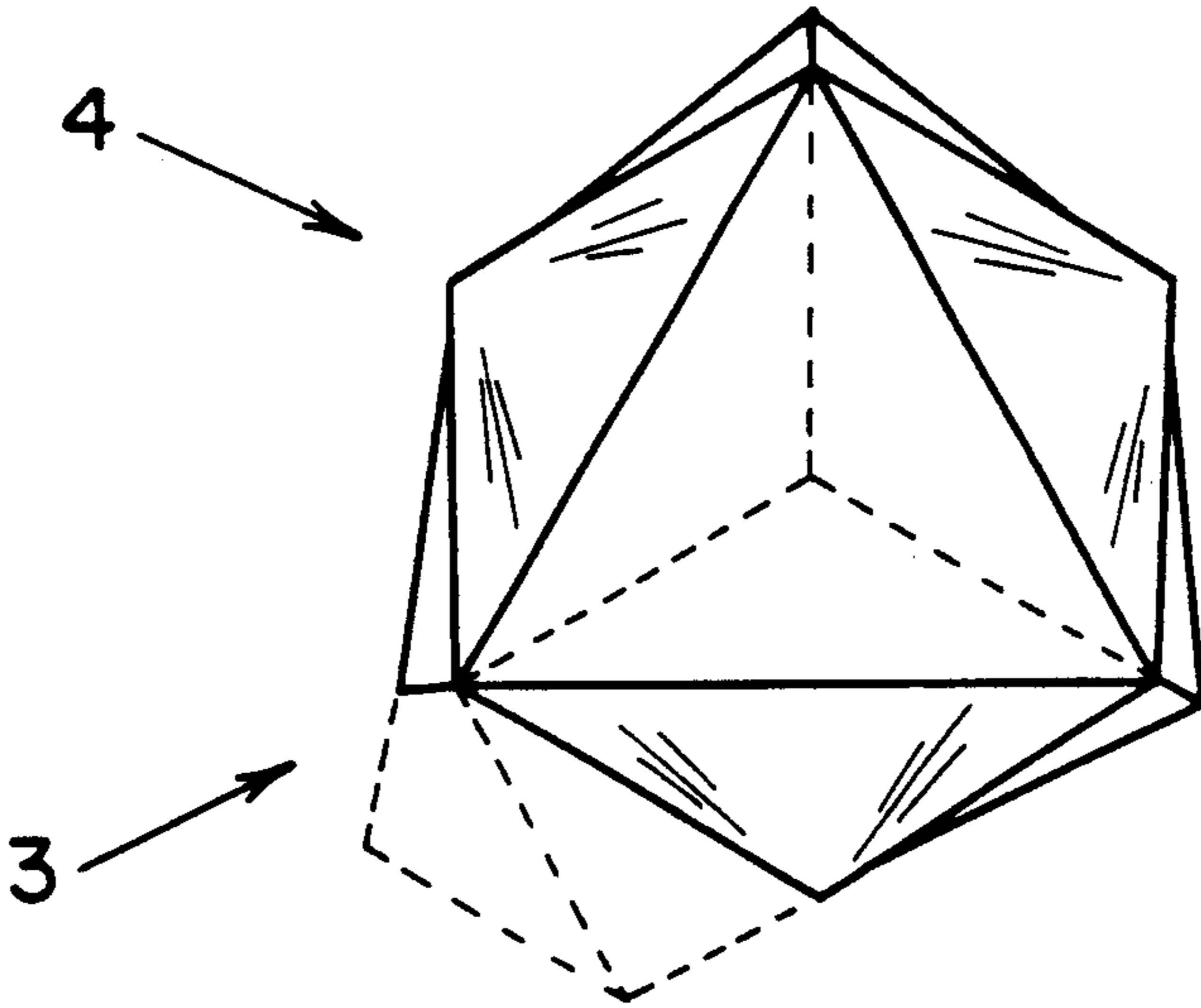


Fig. 2

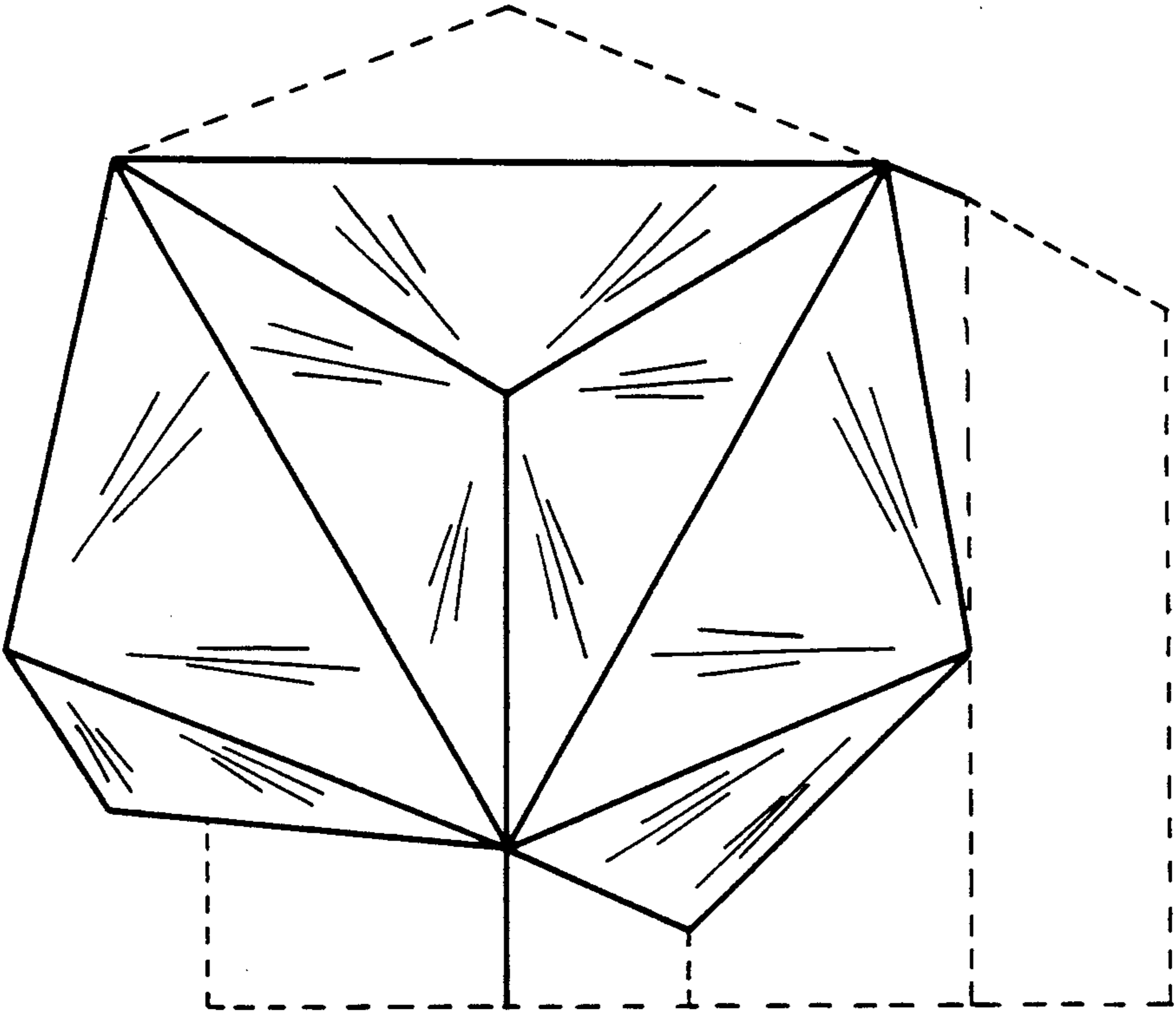


Fig. 4