

[54] ENCLOSURE FOR A STUDIO

[75] Inventor: John R. Grindon, Hazelwood, Mo.

[73] Assignee: P&W/LBP Master Partnership, Hazelwood, Mo.

[\*\*] Term: 14 Years

[21] Appl. No.: 22,329

[22] Filed: Mar. 5, 1987

[52] U.S. Cl. .... D25/13

[58] Field of Search ..... D25/1, 13, 19; 52/28, 52/36, 82, 81

[56] References Cited

U.S. PATENT DOCUMENTS

D. 217,760	6/1970	Critchlow	.....	D25/13
4,425,740	1/1984	Golden	.....	D25/19 X
4,471,586	9/1984	Shuch et al.	.....	D25/13 X

Primary Examiner—A. Hugo Word  
Assistant Examiner—Doris V. Coles  
Attorney, Agent, or Firm—Haverstock, Garrett and Roberts

[57] CLAIM

The ornamental design of a framework for an enclosure for a studio, as shown and described.

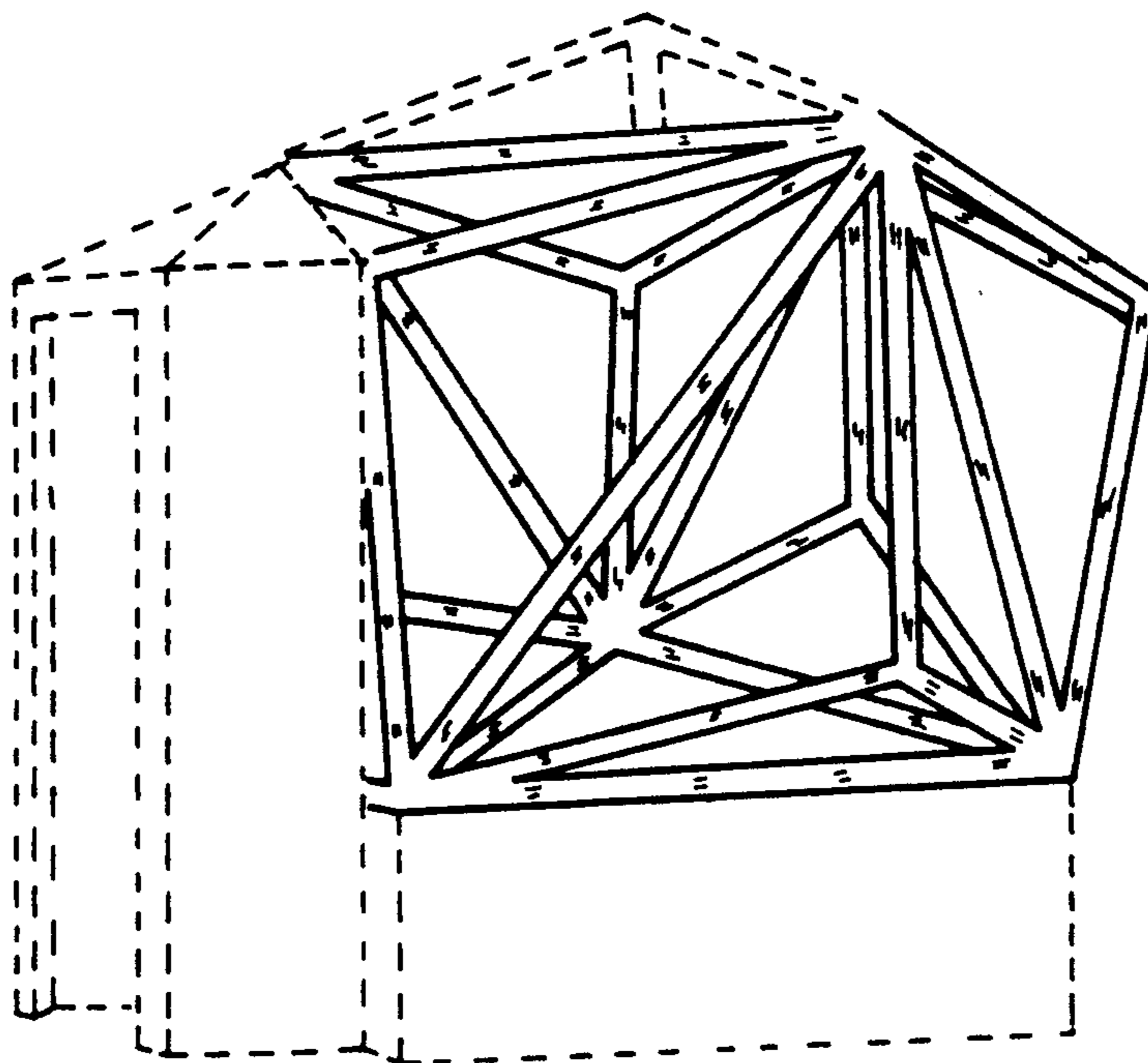
DESCRIPTION

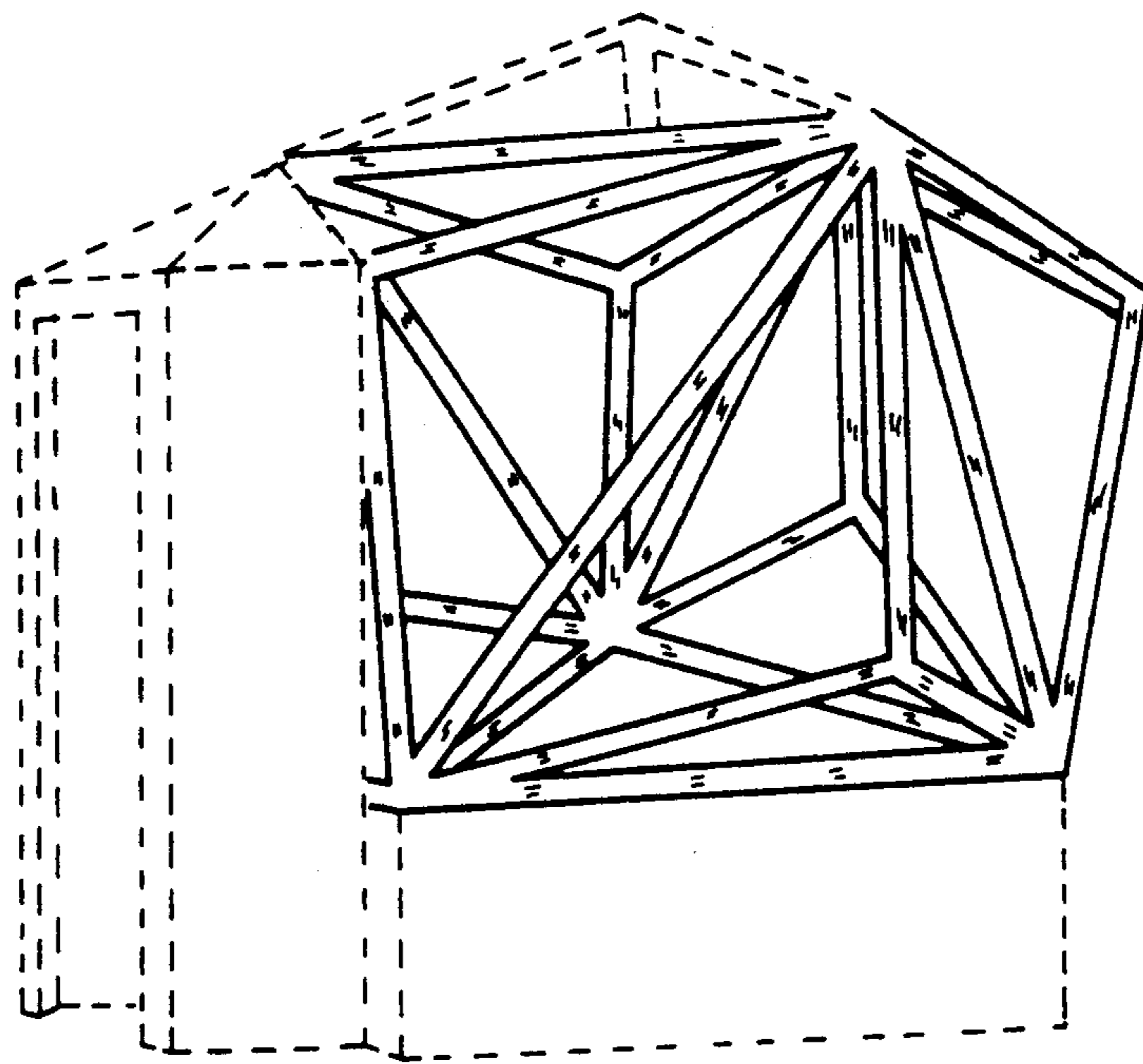
FIG. 1 is a perspective view of an enclosure for a studio showing my new design, the broken line showing of the studio is for illustrative purposes only and forms no part of the claimed design;

FIG. 2 is a top plan view thereof;

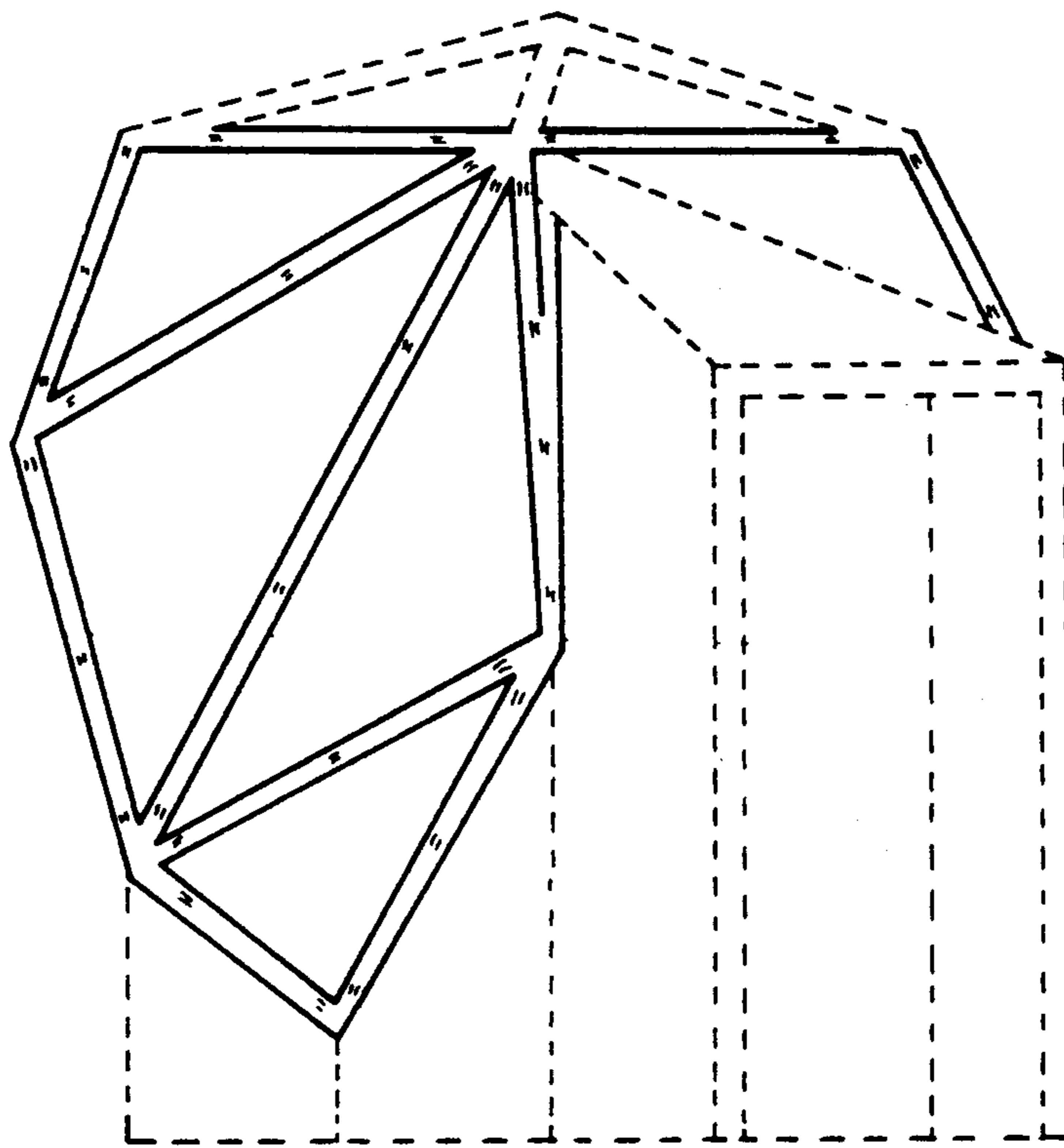
FIG. 3 is a side elevational view thereof taken from direction 3 in FIG. 2; and,

FIG. 4 is a side elevational view thereof taken from direction 4 in FIG. 2.





*Fig. 1*



*Fig. 3*

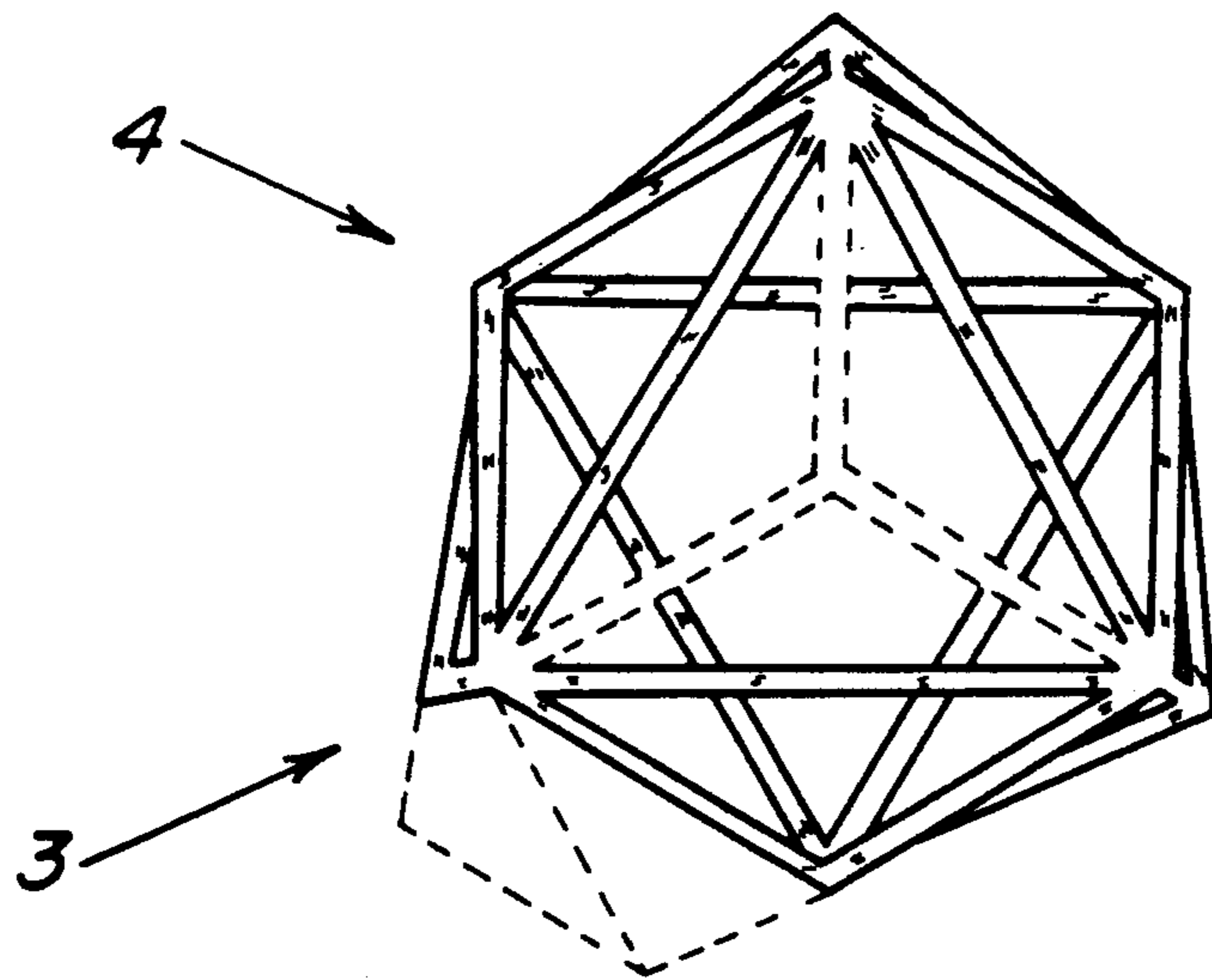


Fig. 2

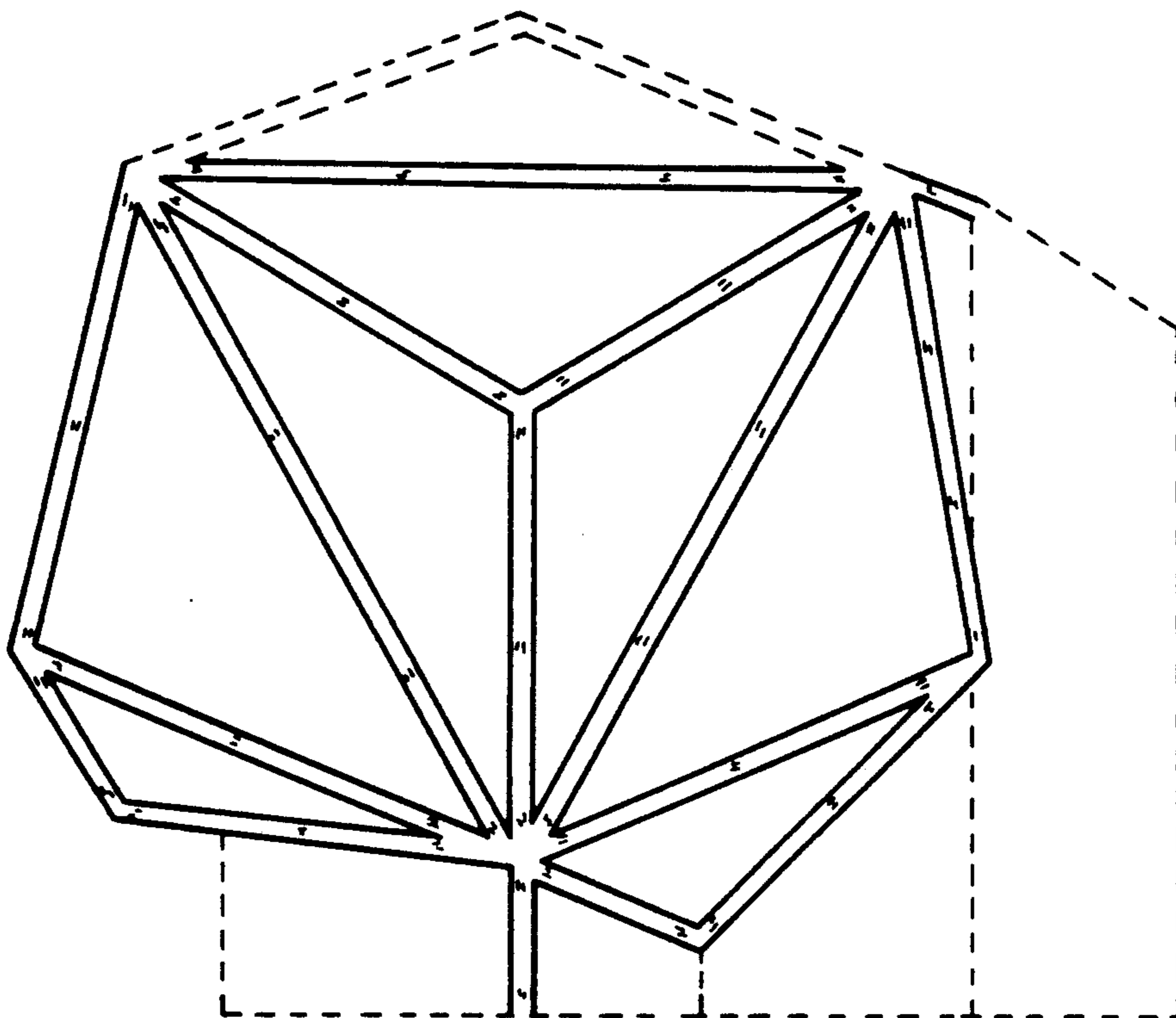


Fig. 4