

[54] **DRIP CHAMBER CAP**

[76] **Inventor: Dean Kamen, 44 Gage Rd., Bedford, N.H. 03102**

[*] **Notice: The portion of the term of this patent subsequent to Nov. 6, 2004 has been disclaimed.**

[**] **Term: 14 Years**

[21] **Appl. No.: 16,292**

[22] **Filed: Feb. 19, 1987**

[52] **U.S. Cl. D24/52**

[58] **Field of Search D24/51, 52; 604/251, 604/253, 180; 128/DIG. 13**

[56] **References Cited**

U.S. PATENT DOCUMENTS

D. 293,130 12/1987 Ashie et al. D24/53
4,038,982 8/1977 Burke et al. 604/253 X
4,397,648 8/1983 Knute 604/253
4,718,896 1/1988 Arndt et al. 604/253

Primary Examiner—A. Hugo Word
Assistant Examiner—Stella M. Reid
Attorney, Agent, or Firm—Kay Pierce; Paul Flattery

[57] **CLAIM**

The ornamental design for a drip chamber cap, as shown and described.

DESCRIPTION

FIG. 1 is a perspective view of a drip chamber cap showing my new design;
FIG. 2 is a front elevational view thereof;
FIG. 3 is a side elevational view thereof;
FIG. 4 is an end elevational view thereof, and
FIG. 5 is a rear elevational view thereof.

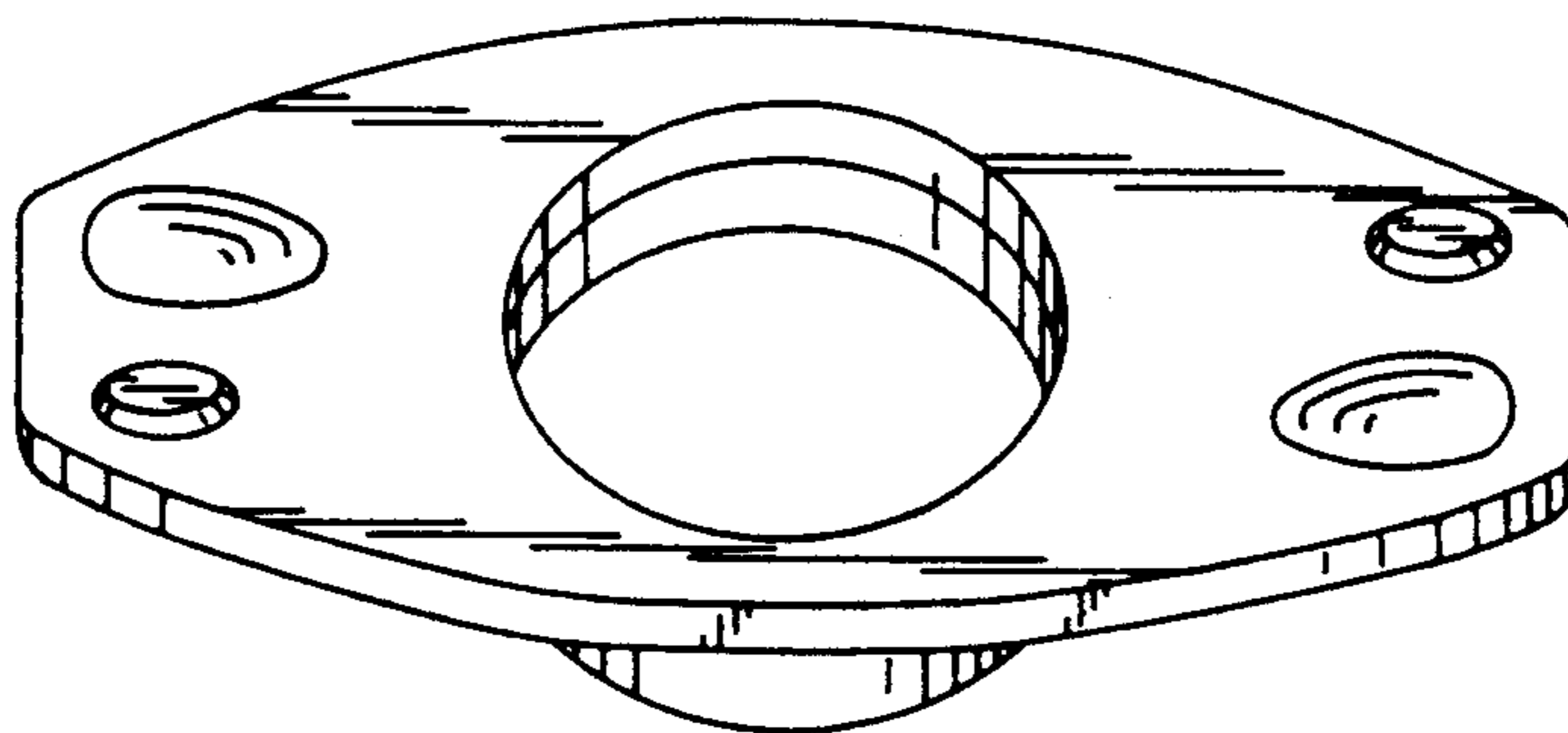


FIG.2

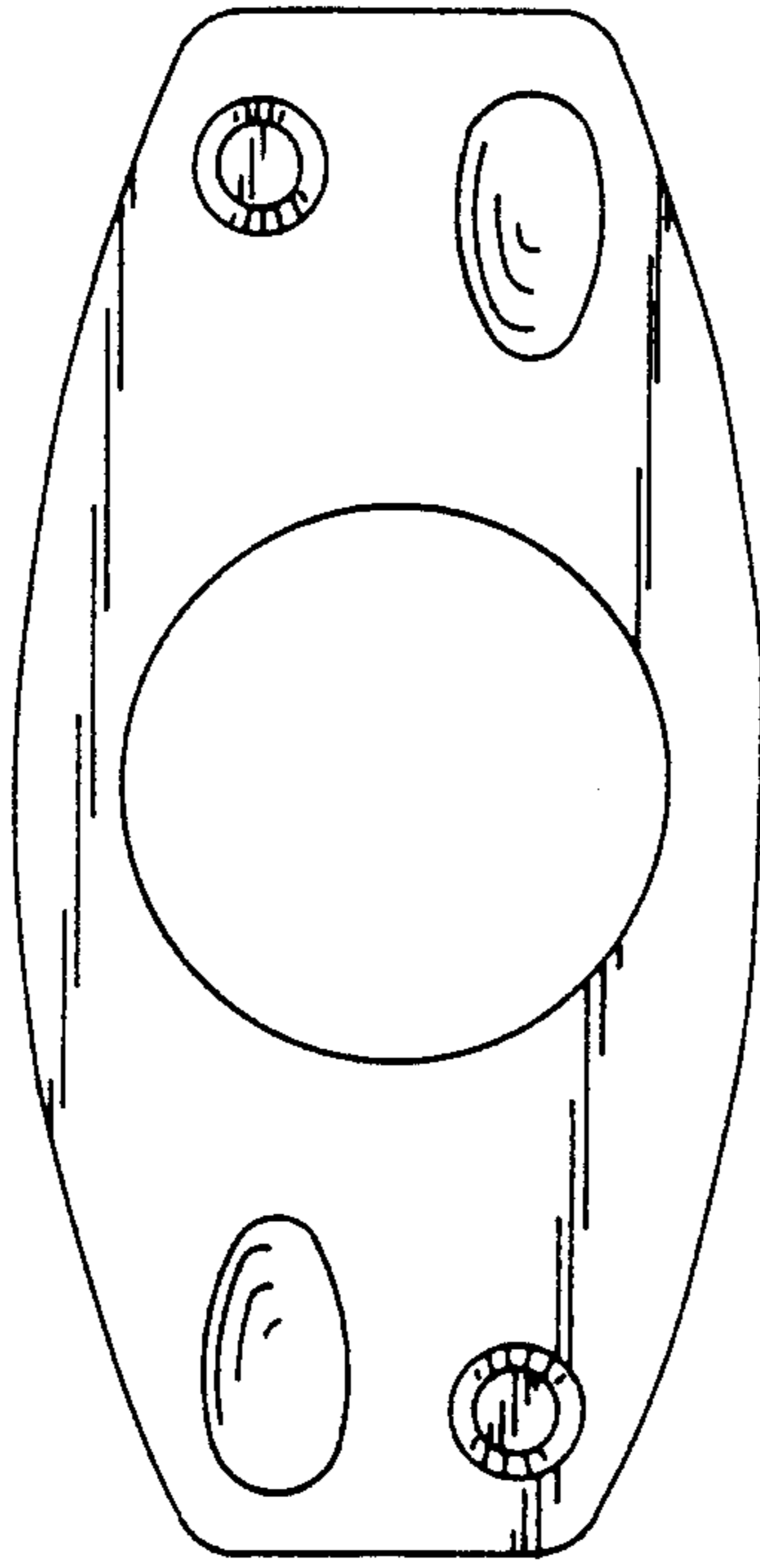


FIG.1

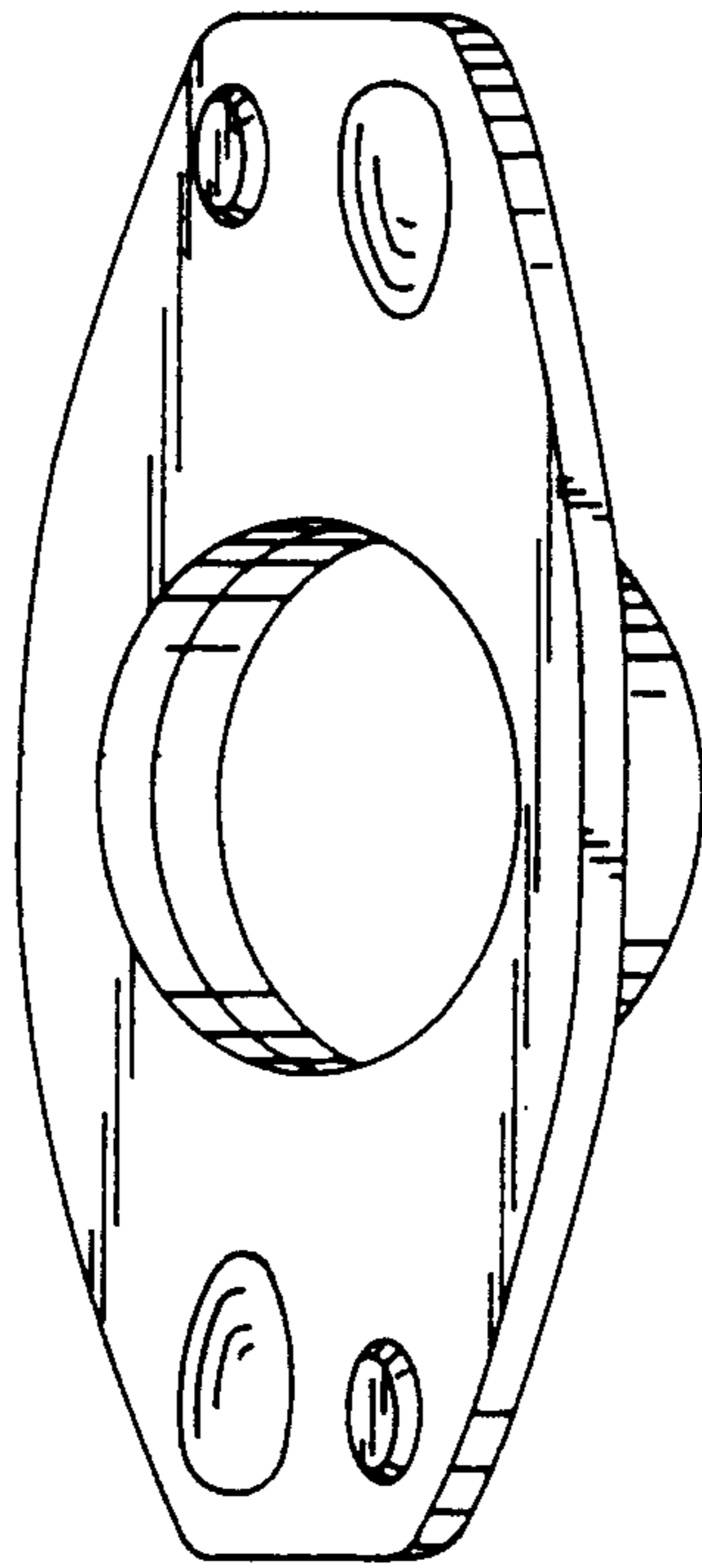


FIG.4

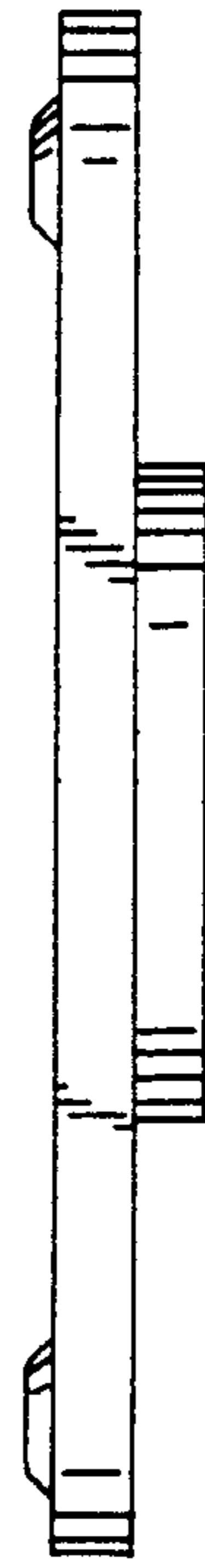


FIG.3

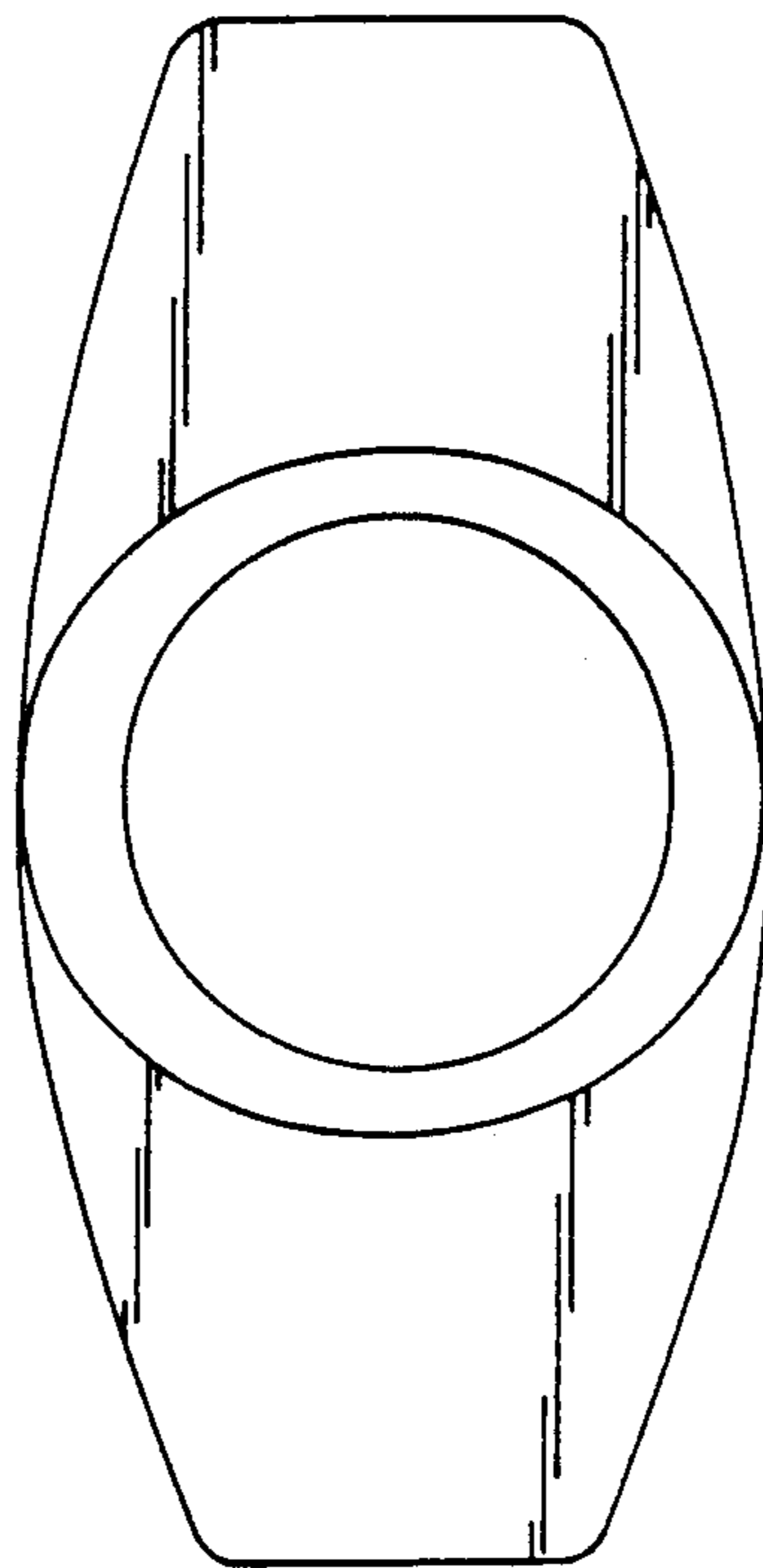


FIG.5