

[54] COMBINED COMPACT POLE CLAMP HOUSING AND PUMP UNIT FOR FLUID DELIVERY

[75] Inventor: Mark G. Frantz, New York, N.Y.

[73] Assignee: Frantz Medical Development, Ltd., New York, N.Y.

[\*\*] Term: 14 Years

[21] Appl. No.: 208,013

[22] Filed: Jun. 16, 1988

Related U.S. Application Data

[63] Continuation-in-part of Ser. No. 63,274, Jun. 16, 1987.

[52] U.S. Cl. .... D24/51

[58] Field of Search ..... D24/8, 17; 604/67, 152, 604/153, 245, 246, 247

References Cited

U.S. PATENT DOCUMENTS

D. 268,284	3/1983	Manno et al. ....	D24/17 X
3,985,133	10/1976	Jenkins et al. ....	604/67
4,396,385	8/1983	Kelly et al. ....	604/152
4,513,796	4/1985	Miller et al. ....	604/245 X

Primary Examiner—Stella Reid

Attorney, Agent, or Firm—Frishauf, Holtz, Goodman & Woodward

[57] CLAIM

The ornamental design for a combined compact pole clamp housing and pump unit for fluid delivery, as shown and described.

DESCRIPTION

FIG. 1 is a front elevational view of a combined compact pole clamp housing and pump unit for fluid delivery, with the pump unit removed, showing my new design;

FIG. 2 is a front right side perspective view thereof;

FIG. 3 is a right side elevational view thereof;

FIG. 4 is a left side elevational view thereof;

FIG. 5 is a rear elevational view thereof;

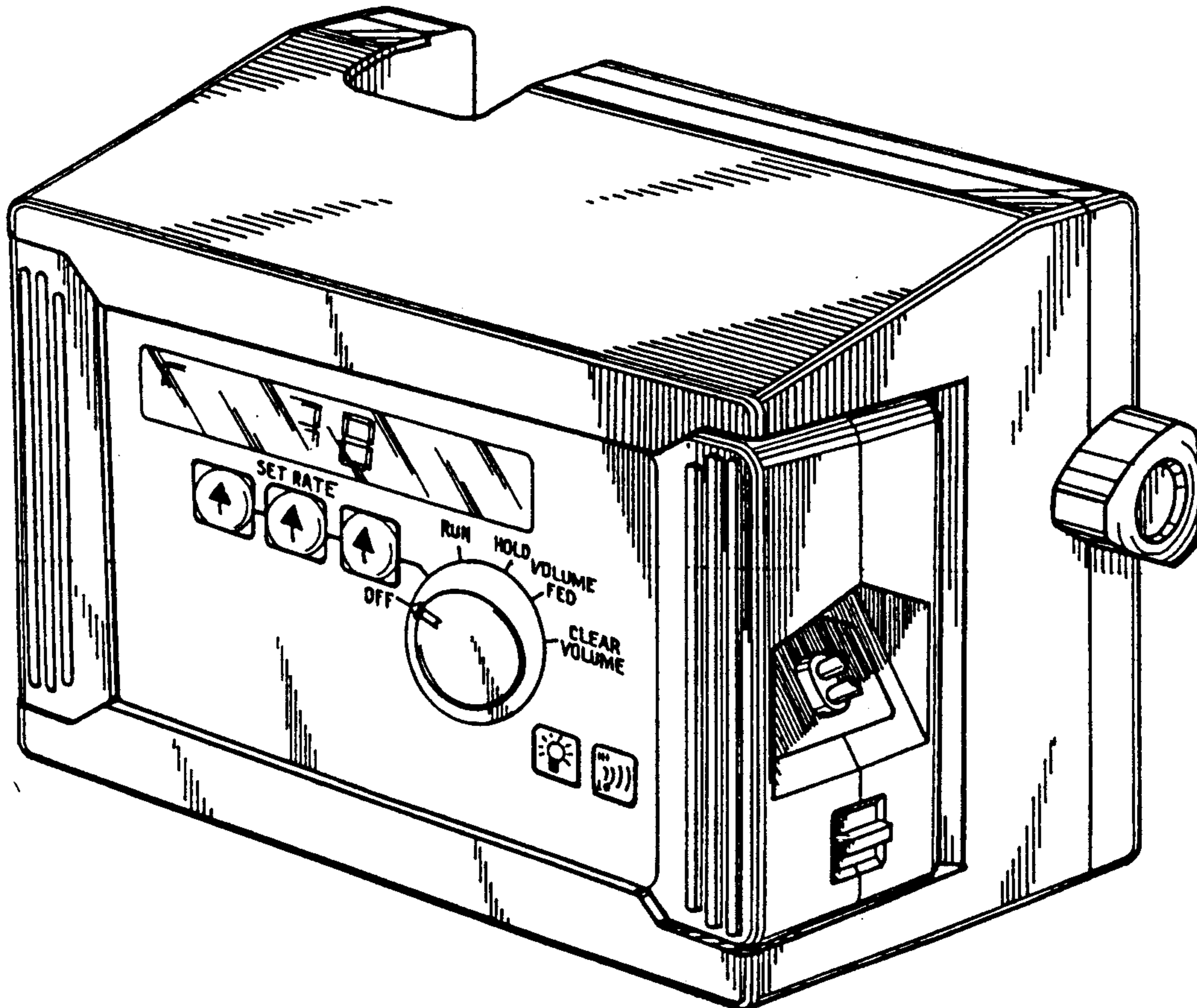
FIG. 6 is a bottom plan view thereof;

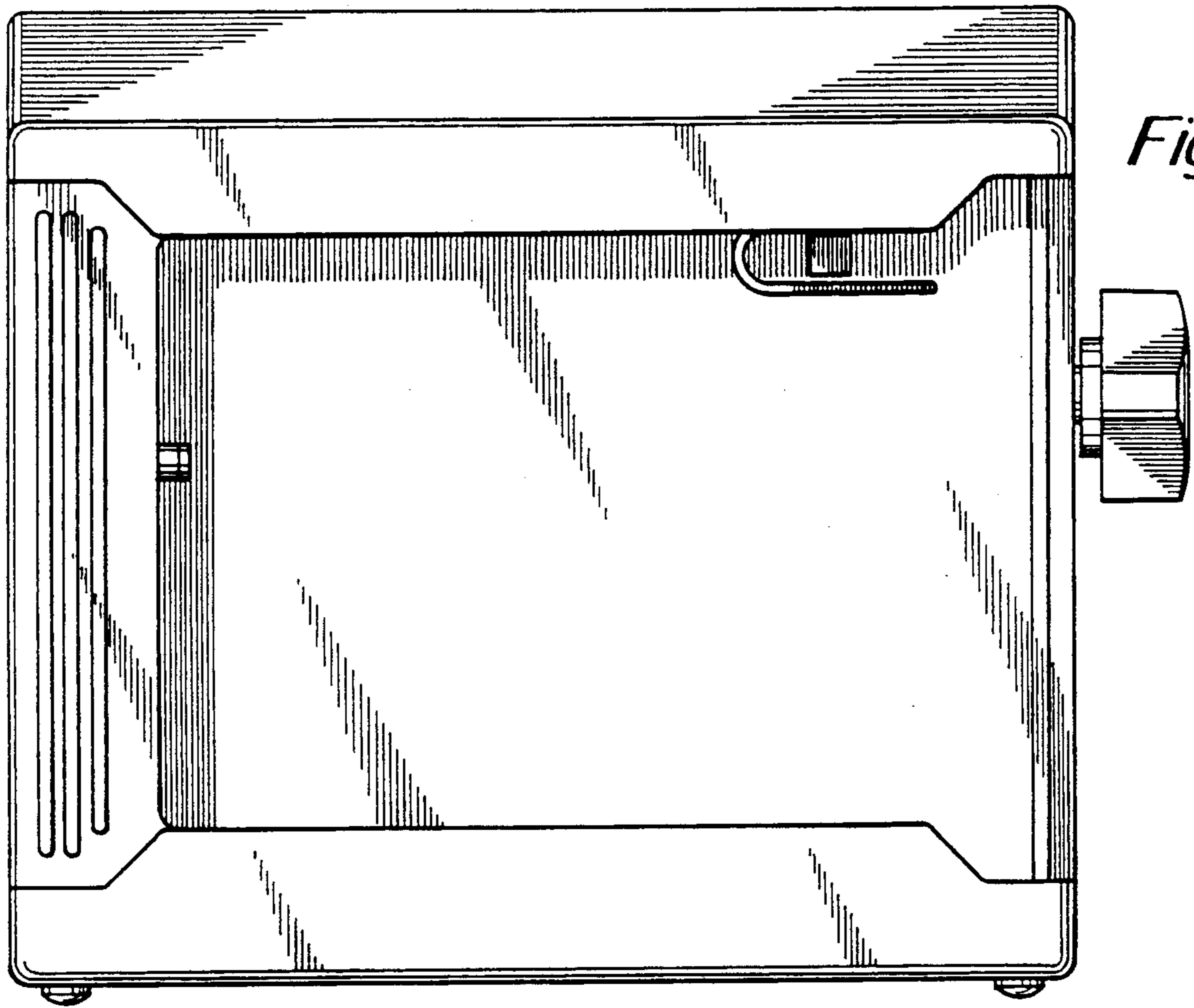
FIG. 7 is a top plan view thereof;

FIG. 8 is a front elevational view of the combined compact pole clamp housing and pump unit for fluid delivery, showing the disc-shaped handle of the pump unit rotated to an open position;

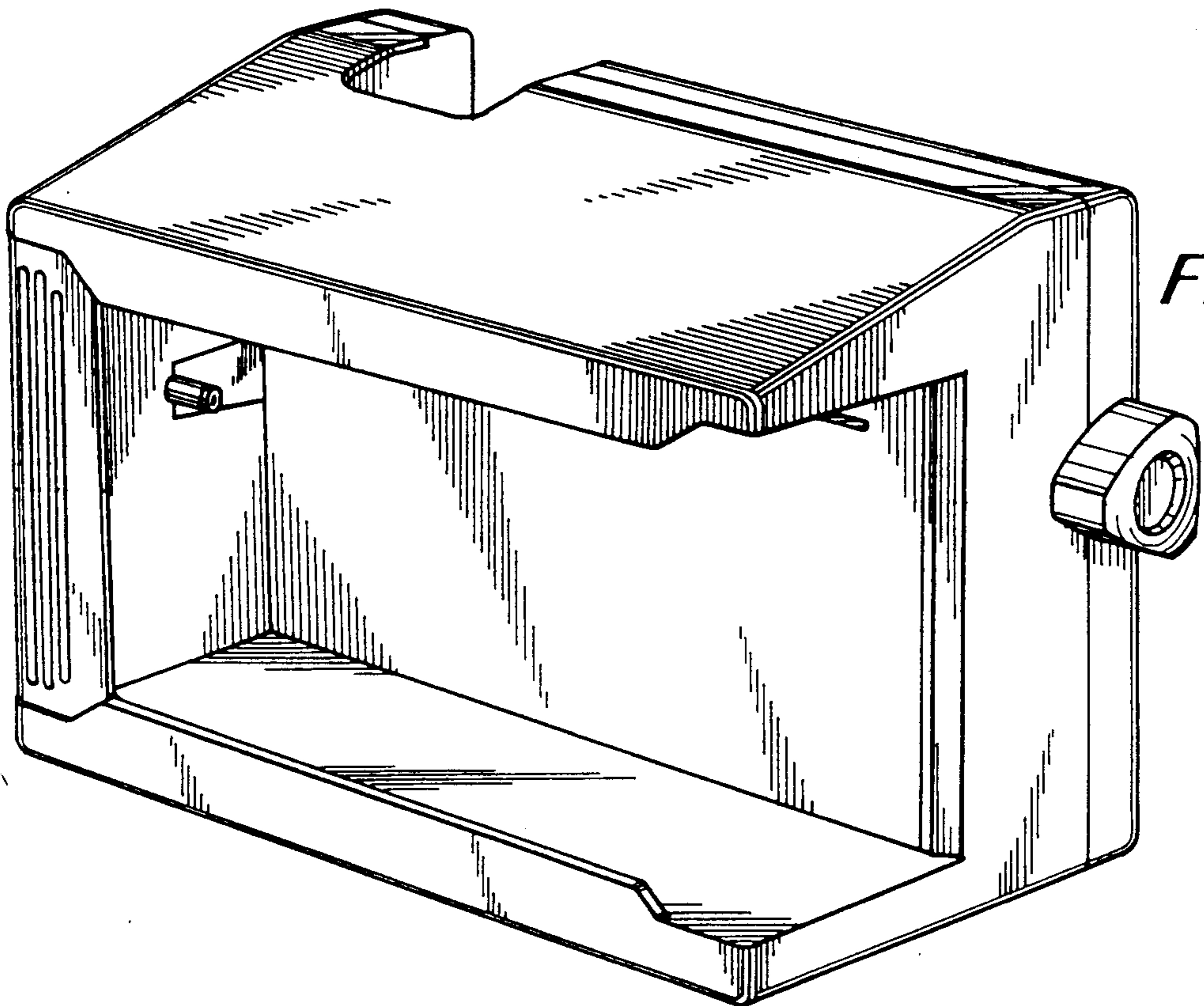
FIG. 9 is a front right perspective view thereof, showing the disc-shaped handle rotated to a closed position; and

FIG. 10 is a right side elevational view thereof.



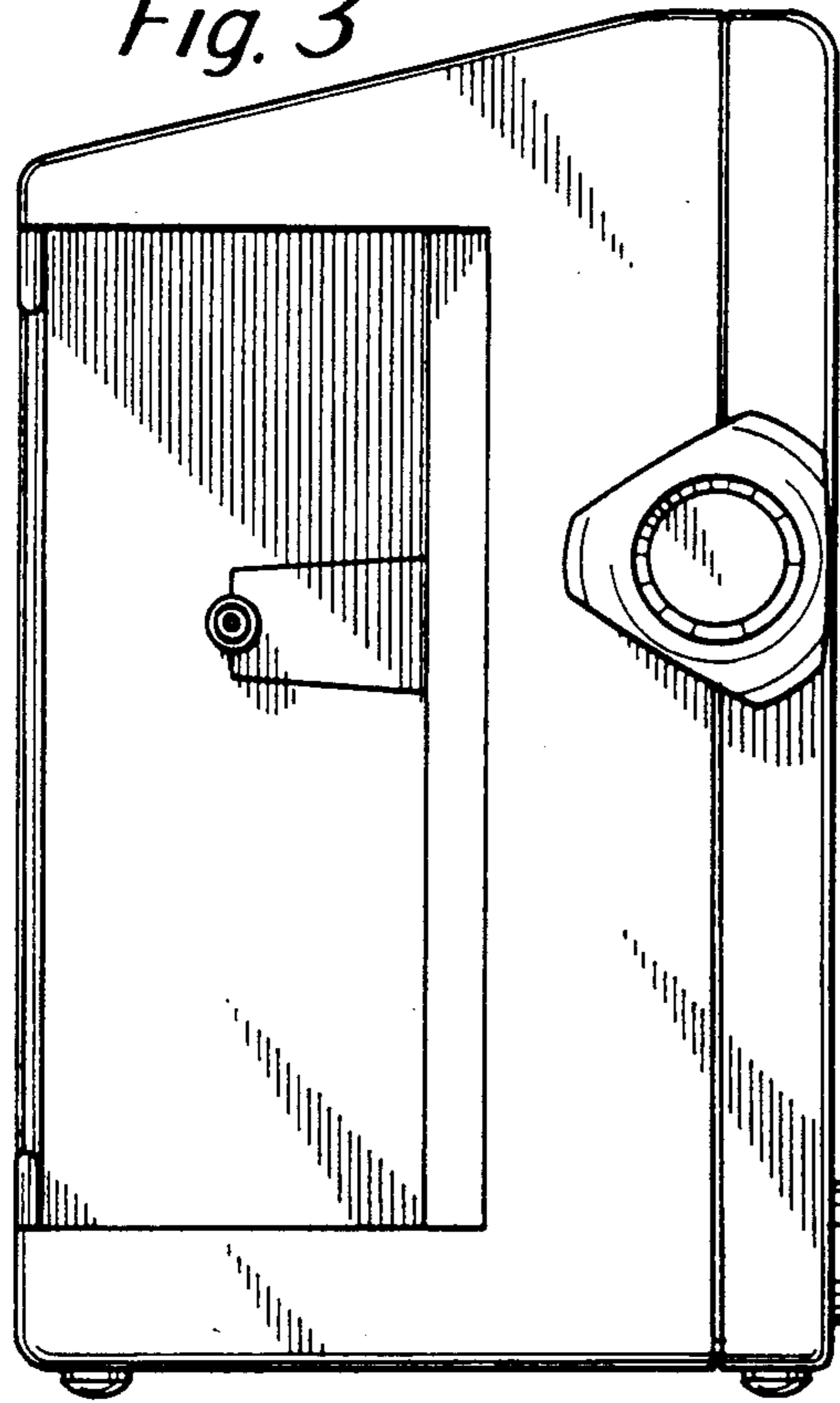


*Fig. 1*

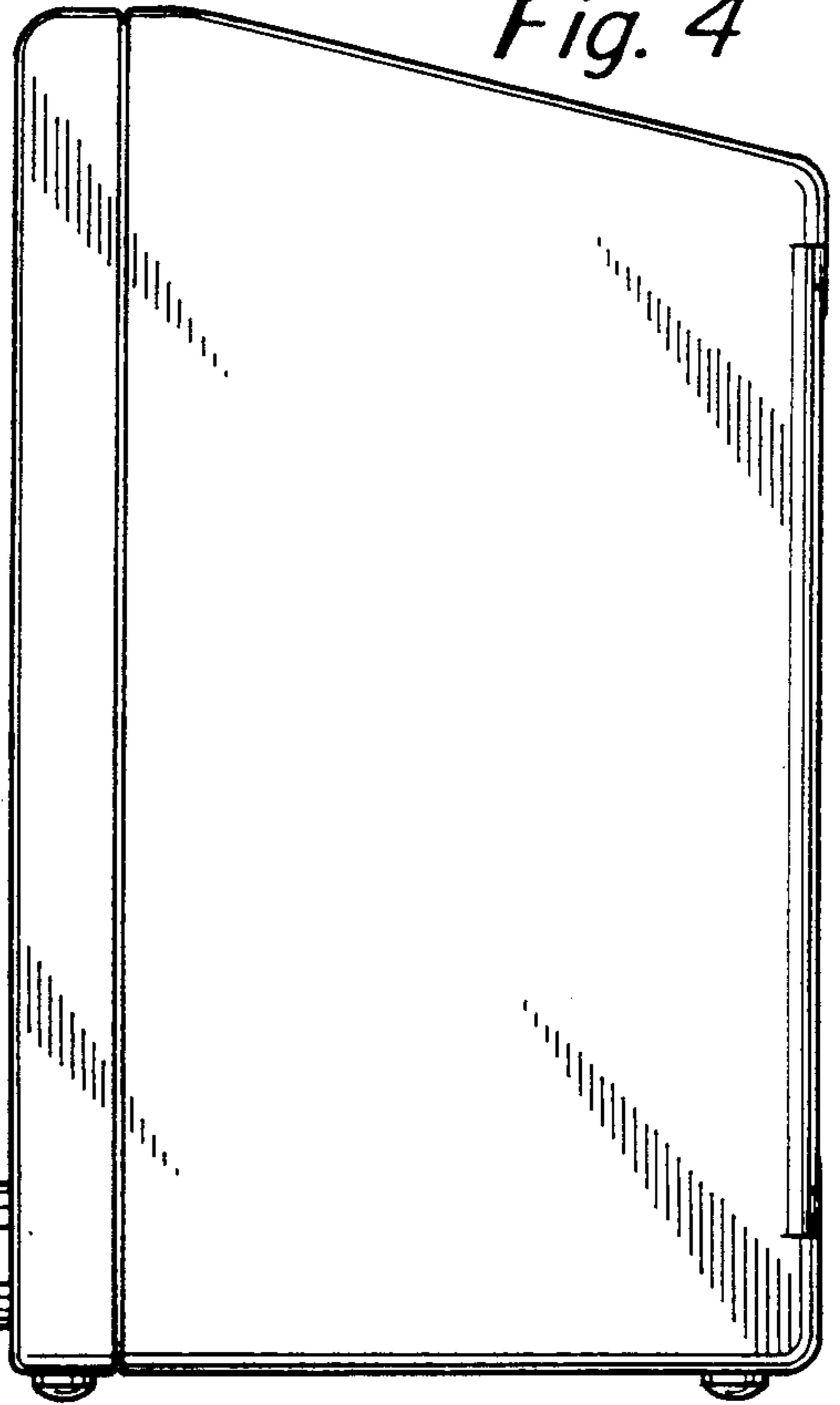


*Fig. 2*

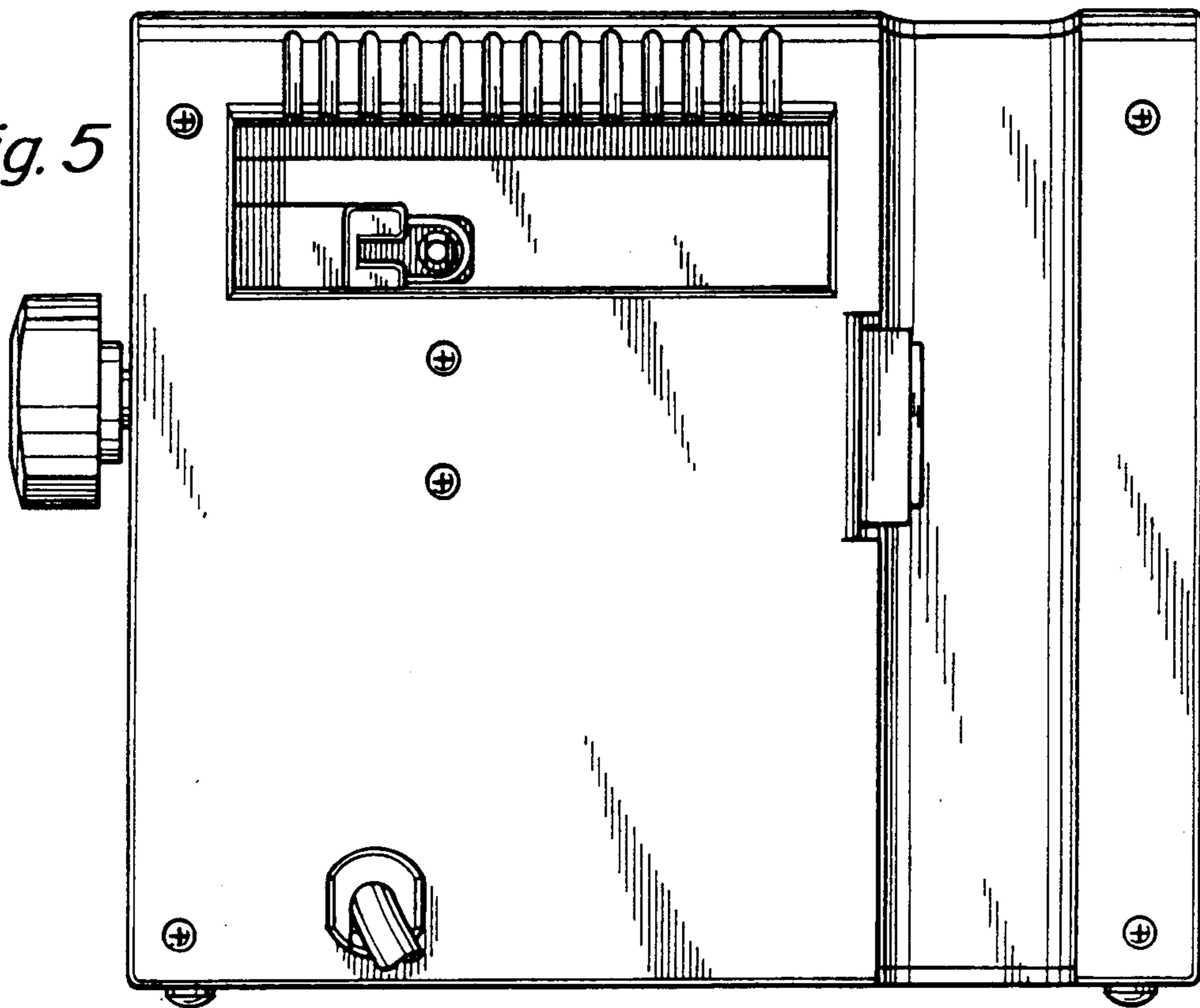
*Fig. 3*

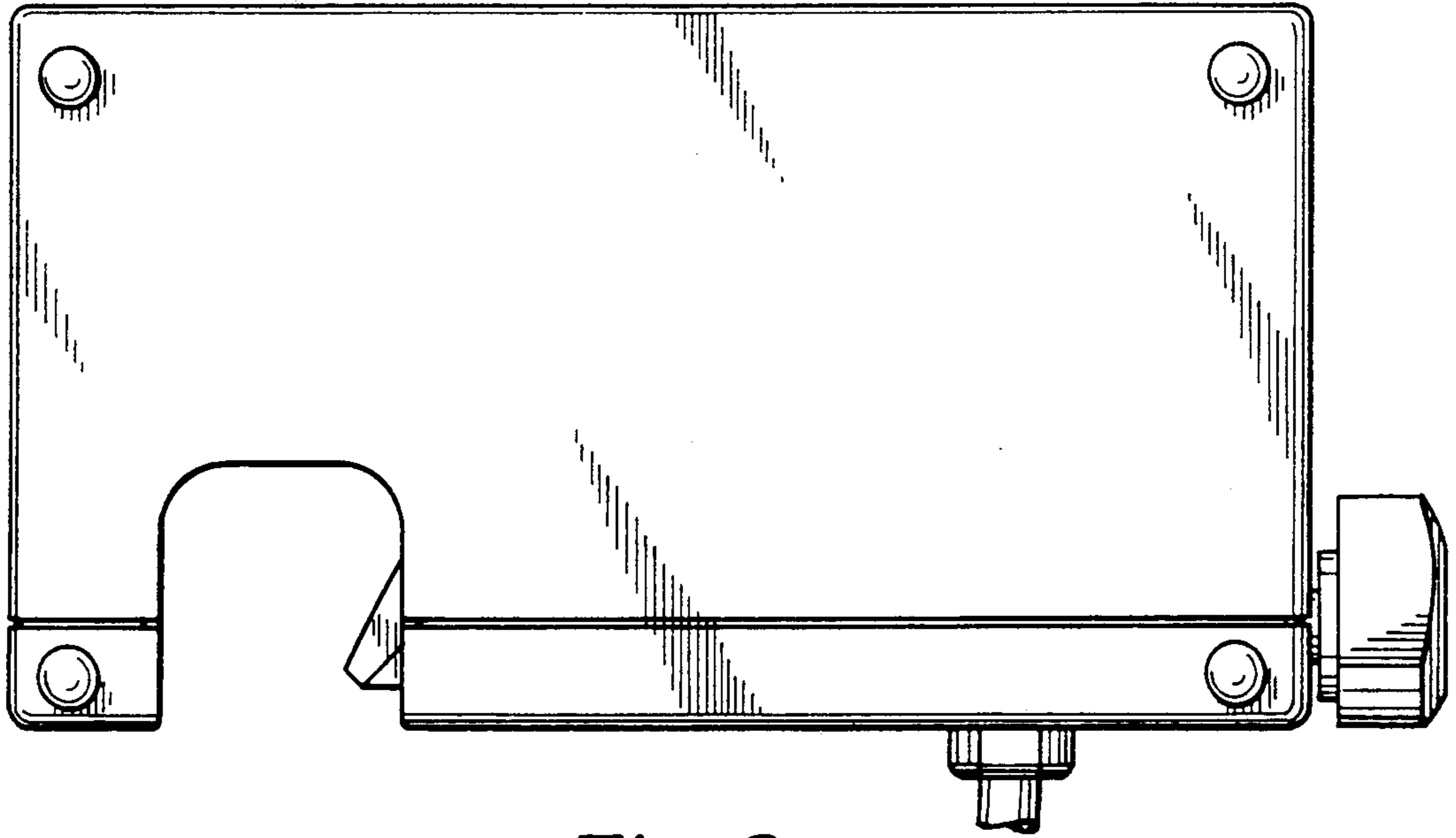


*Fig. 4*

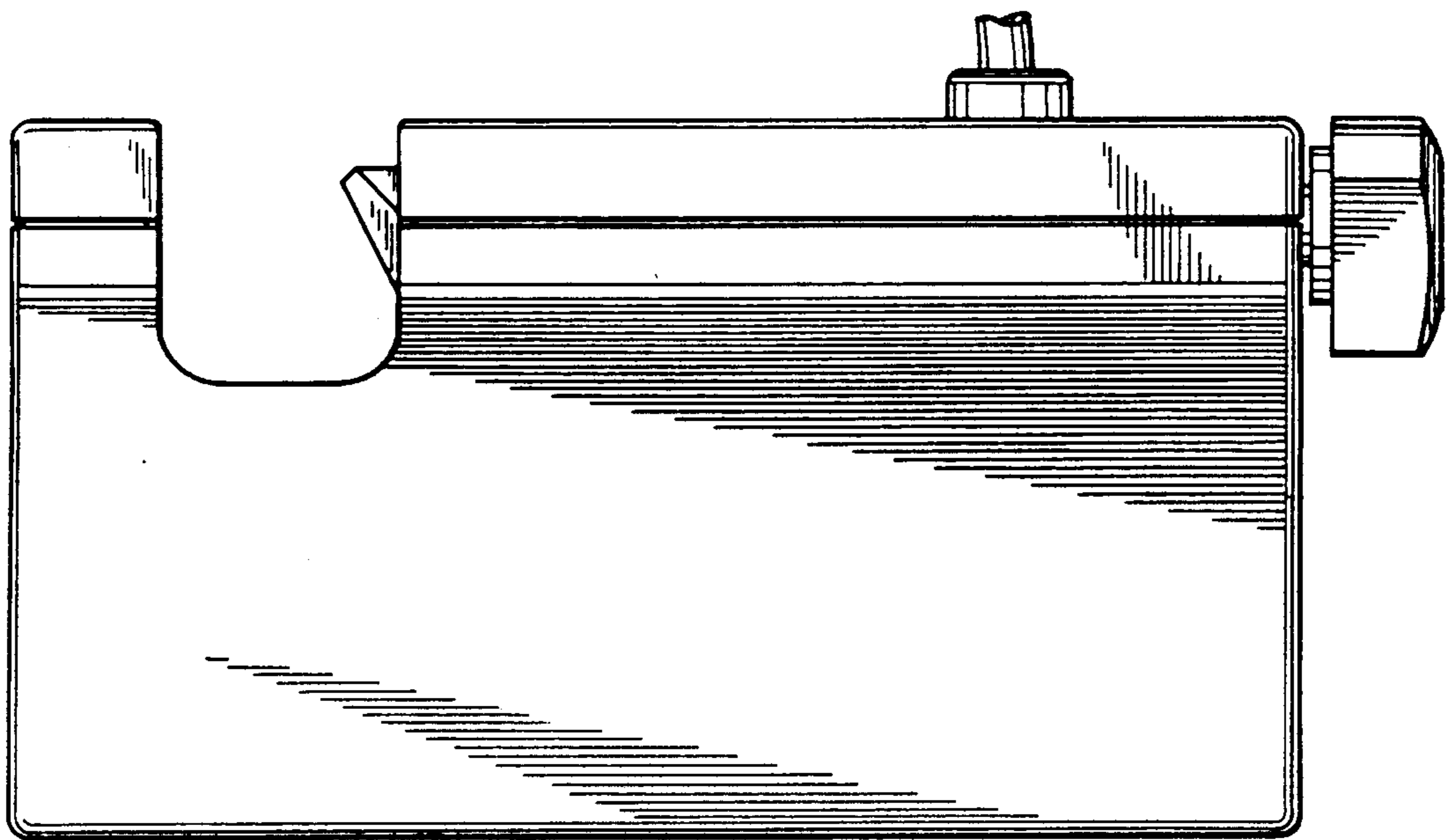


*Fig. 5*





*Fig. 6*



*Fig. 7*

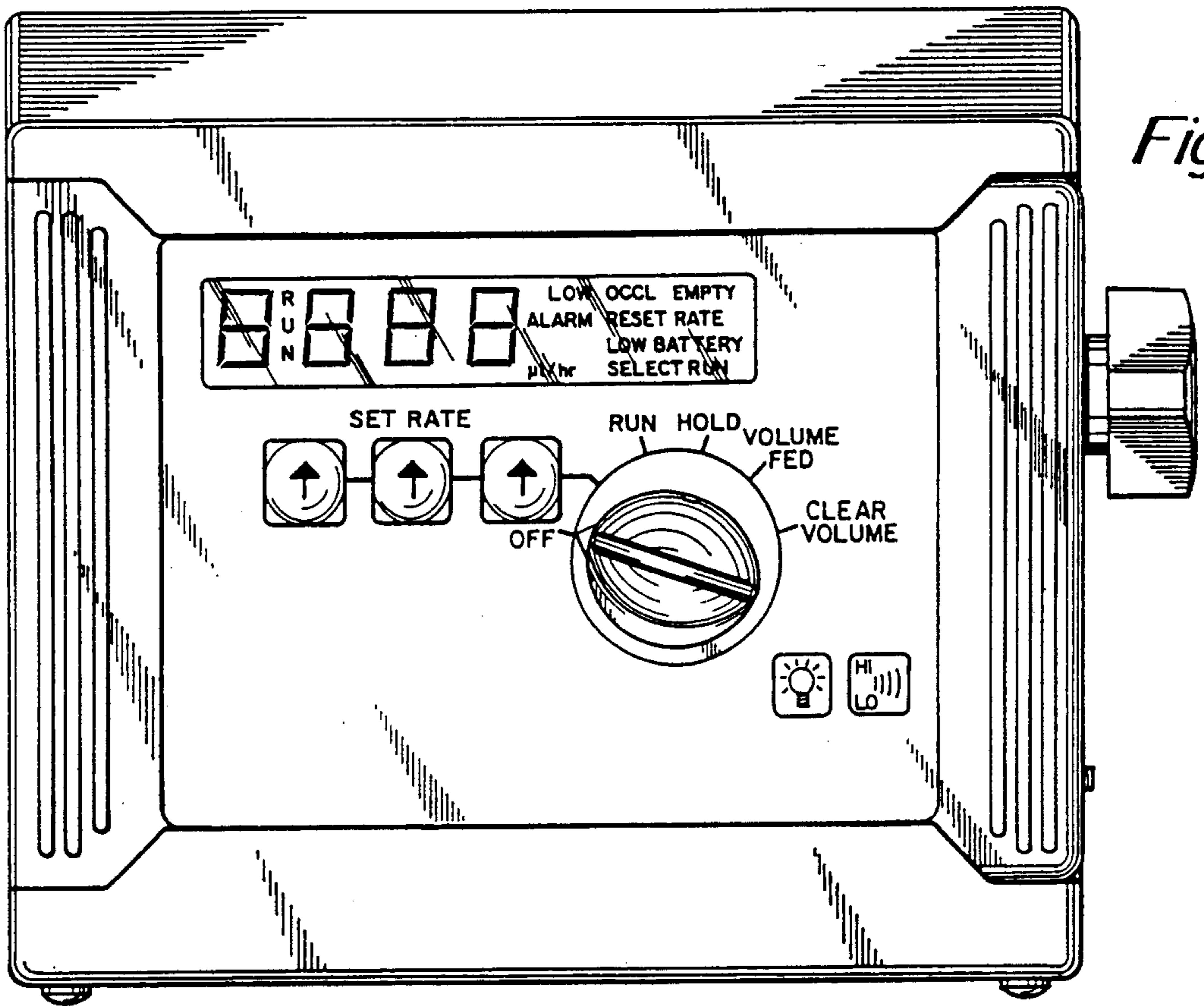


Fig. 8

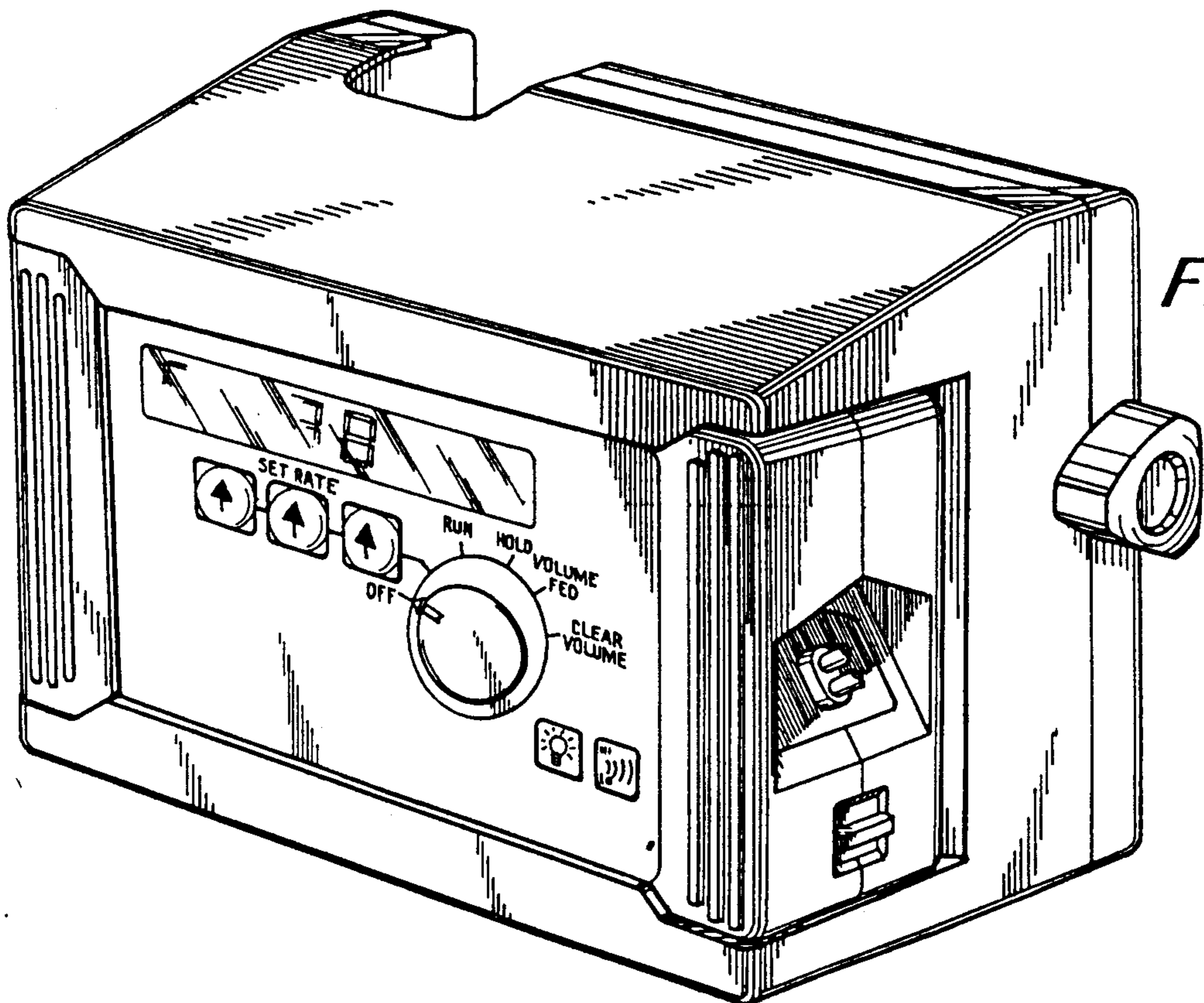


Fig. 9

*Fig. 10*

