

[54] CEILING FAN

[75] Inventor: Alexander B. Ignon, Malibu, Calif.

[73] Assignee: Casablanca Fan Company, Inc., City of Industry, Calif.

[**] Term: 14 Years

[21] Appl. No.: 254,118

[22] Filed: Oct. 5, 1988

[52] U.S. Cl. D23/377

[58] Field of Search D23/377, 379; 415/2.1, 415/4.1, 4.2, 4.3, 4.4, 4.5; 416/194, 195, 196 A, 5

[56] References Cited

U.S. PATENT DOCUMENTS

D. 304,229	10/1989	Rezek	D23/377
419,345	1/1890	Otto	415/4.2
1,178,665	4/1916	Muller	415/4.4
1,186,289	6/1916	Dalen	415/4.3
1,574,171	2/1926	Ryan	415/4.4
4,274,011	6/1981	Garfinkle	416/196 A
4,508,958	4/1985	Fan et al.	416/5

FOREIGN PATENT DOCUMENTS

282900 2/1931 Italy 416/194

OTHER PUBLICATIONS

Wineta, Inc. advertising brochure, front cover, Sail-breeze Ceiling Fan, top of page.

Primary Examiner—James M. Gandy
Assistant Examiner—Lisa Lichtenstein
Attorney, Agent, or Firm—Charles H. Schwartz;
Ellsworth R. Roston

[57] CLAIM

The ornamental design for a ceiling fan, as shown and described.

DESCRIPTION

FIG. 1 is a perspective view of a ceiling fan showing my new design;
FIG. 2 is a bottom plan view thereof;
FIG. 3 is a top plan view thereof; and
FIG. 4 is a side elevation view thereof, the opposite side being a mirror image of that shown.
The fragmentary broken line showing of a support stem in FIGS. 1 and 4 is for illustrative purposes only and forms no part of the claimed design.

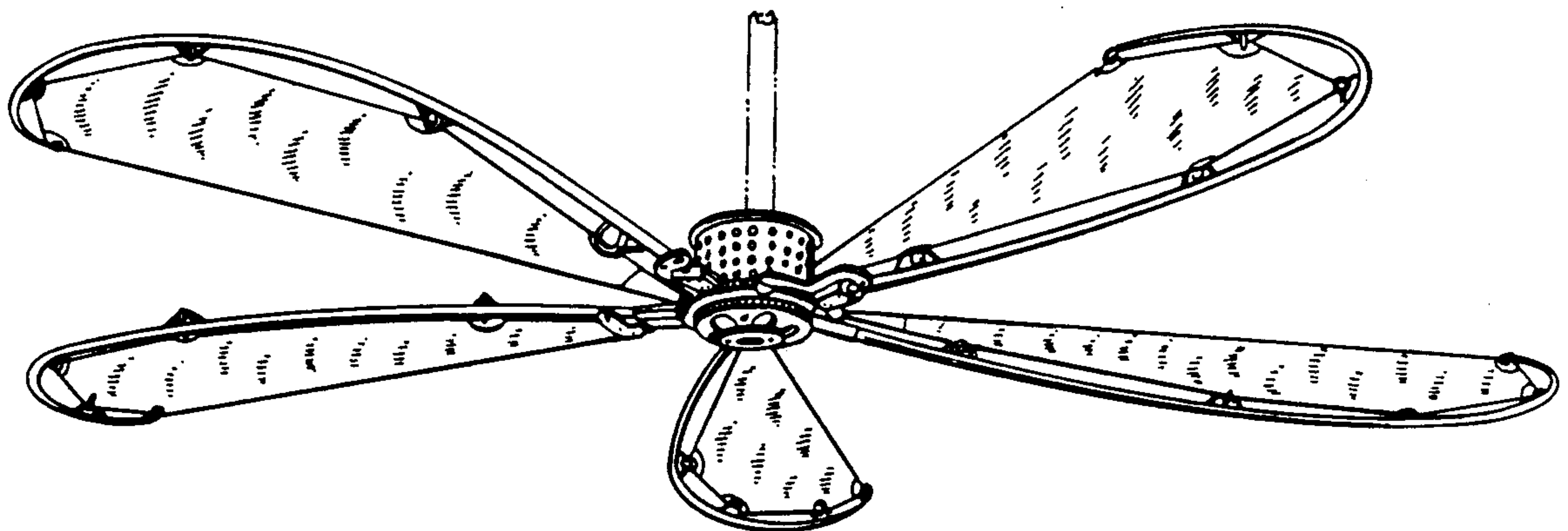


FIG. 1

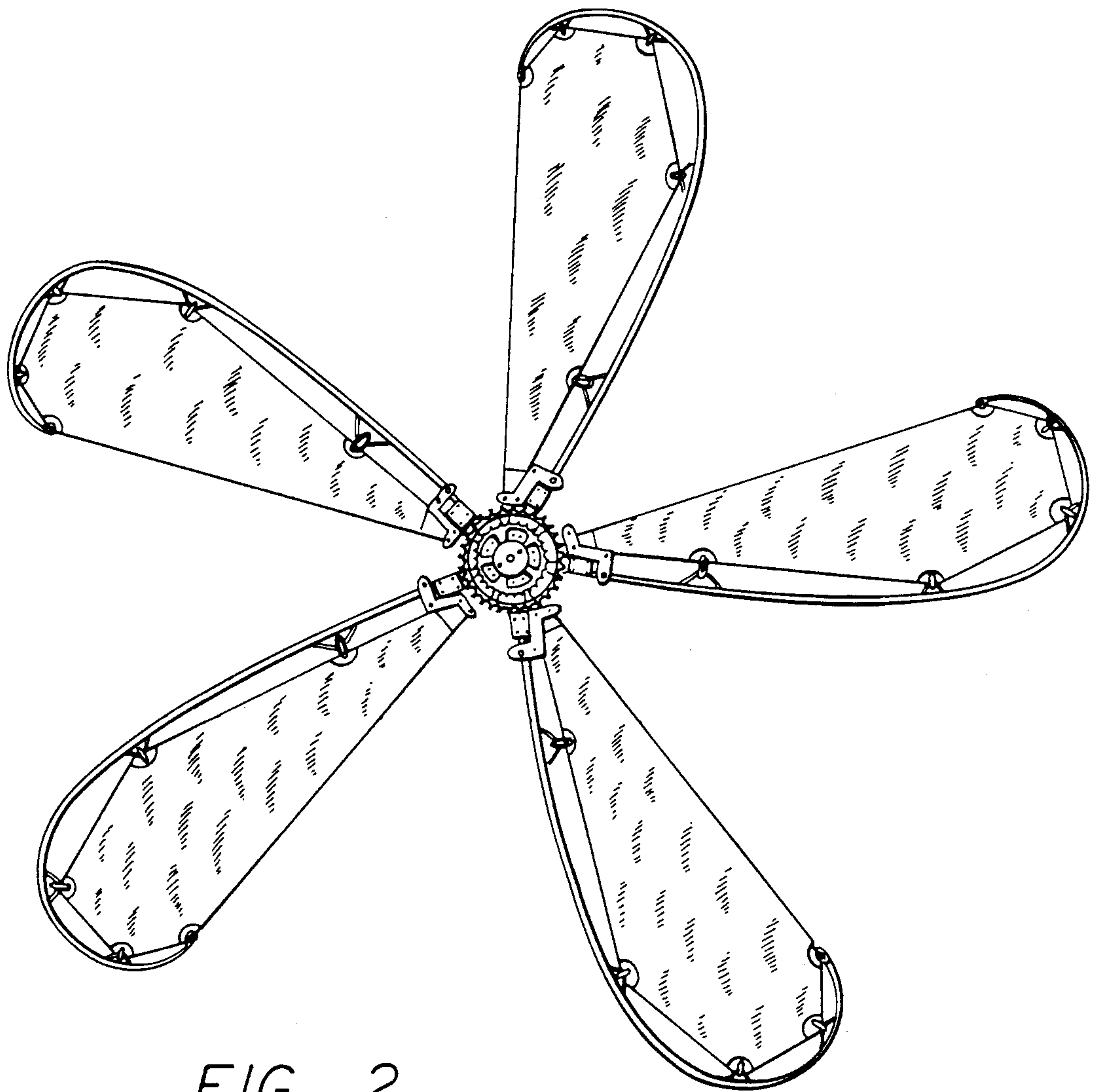
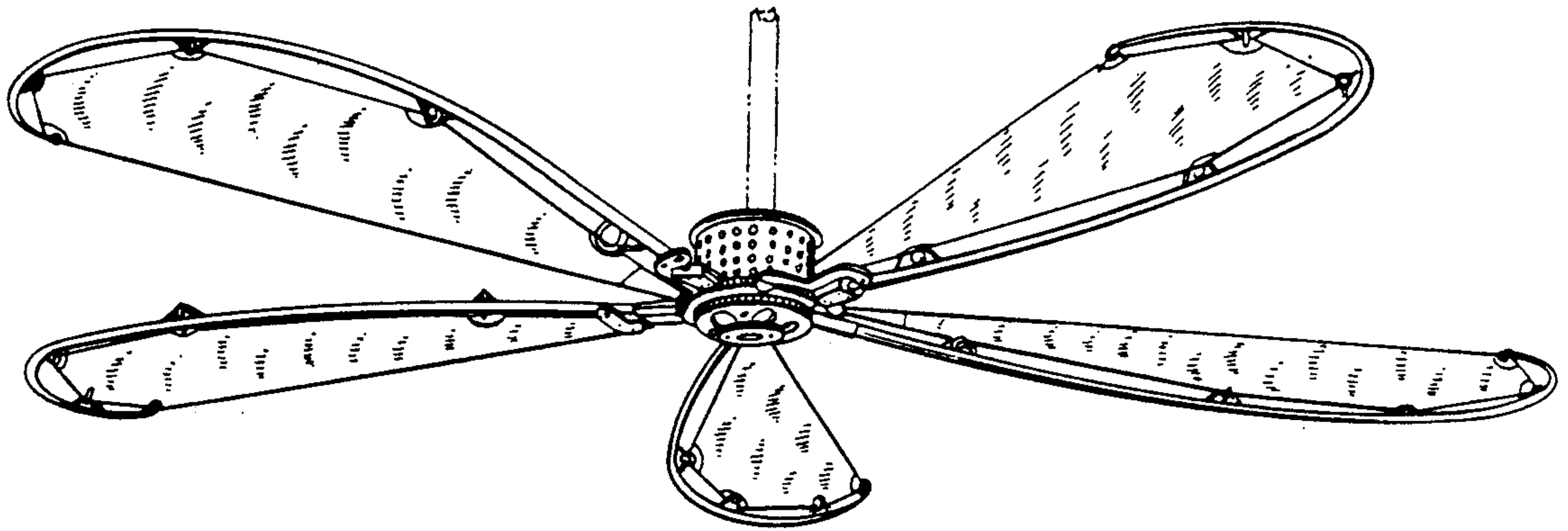


FIG. 2

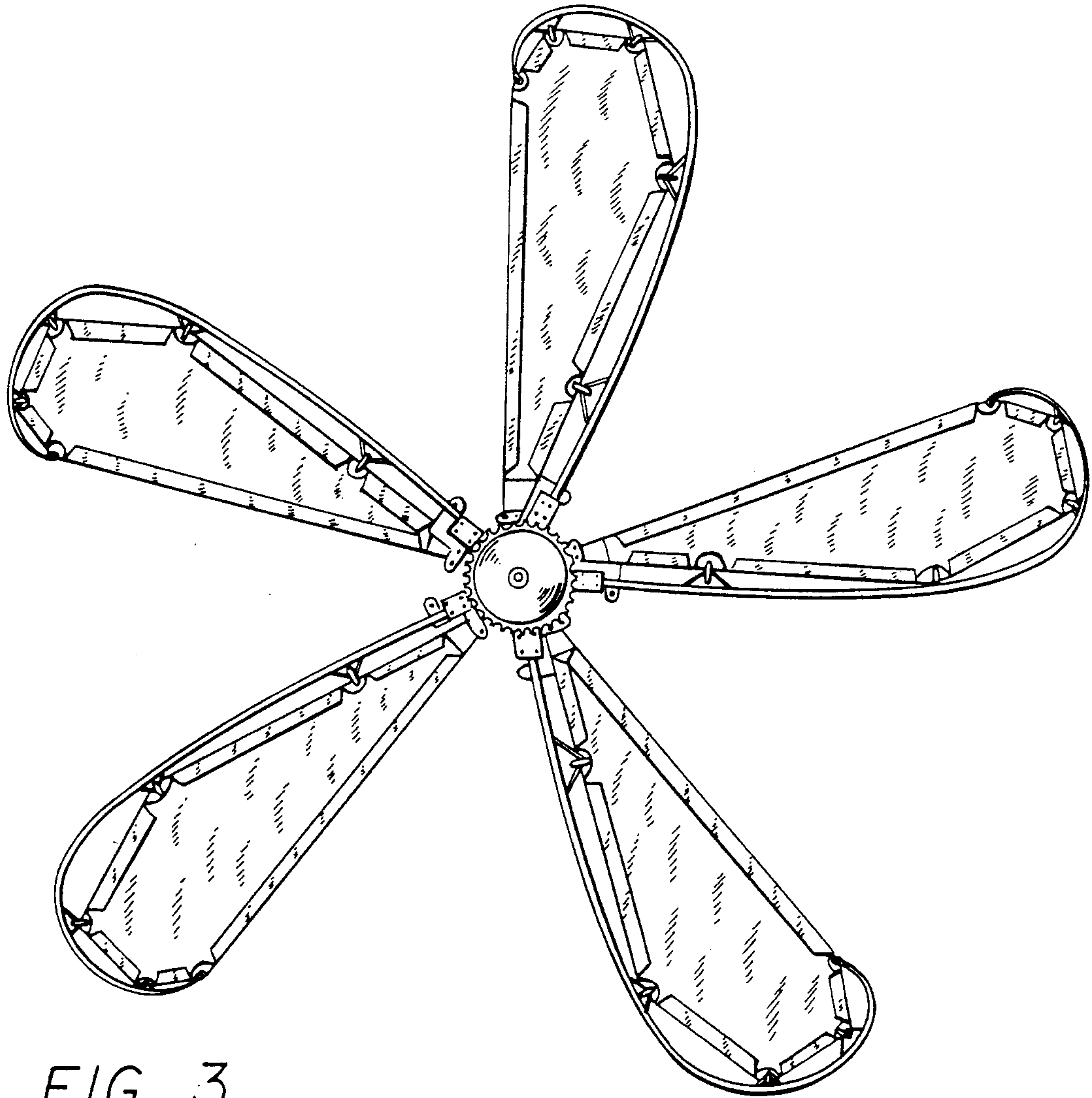


FIG. 3

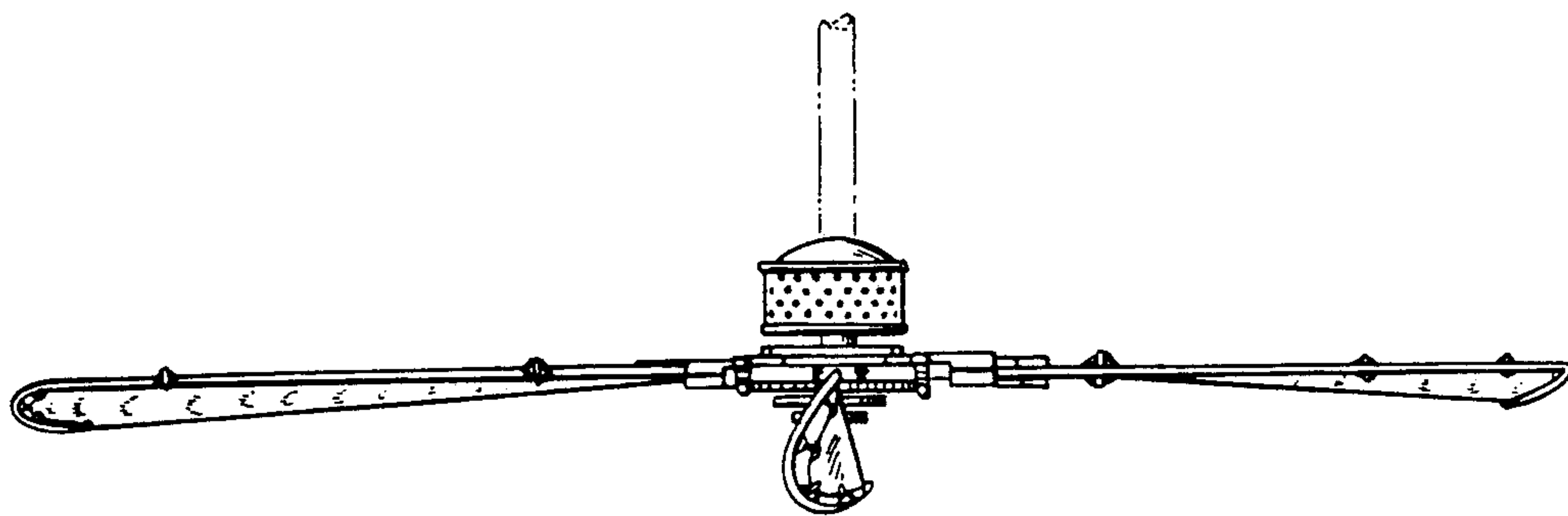


FIG. 4