

[54] PORTABLE FOLDING TOILET SEAT

[76] Inventors: David C. Davenport, Box 13271, Norfolk, Va. 23506-0271; Daniel W. Alexander, Box 13271, Norfolk, Va. 23454

[**] Term: 14 Years

[21] Appl. No.: 267,256

[22] Filed: Feb. 2, 1989

[52] U.S. Cl. D23/311

[58] Field of Search D23/311-312; 4/234-247

[56] References Cited

U.S. PATENT DOCUMENTS

D. 212,327	10/1968	Brewer	D23/311
D. 233,890	12/1974	Smith	D23/311
D. 236,120	7/1975	O'Neil	D23/311
310,401	1/1885	Fox	4/239
1,009,838	11/1911	Handy	4/239
1,348,372	8/1920	Oakes	D23/311 X
1,410,427	3/1922	Turnquist	4/239

1,633,222	6/1927	Noble	4/239
2,443,068	6/1948	Dahle	D23/311 X
3,153,248	10/1964	Miller	D23/311 X
3,261,030	9/1966	Blem et al.	D23/311 X

Primary Examiner—James R. Largen

[57] CLAIM

The ornamental design for a portable folding toilet seat, as shown and described.

DESCRIPTION

FIG. 1 is a top plan view of a portable folding toilet seat showing our new design;
 FIG. 2 is a bottom plan view thereof;
 FIG. 3 is a side elevational view thereof, the opposite side being a mirror image of the side shown;
 FIG. 4 is a rear elevational view thereof;
 FIG. 5 is a top plan view showing the seat in a folded position, the bottom being a mirror image of the top shown;
 FIG. 6 is a left side elevational view of FIG. 5;
 FIG. 7 is a right side elevational view of FIG. 5; and
 FIG. 8 is a rear elevational view of FIG. 5.

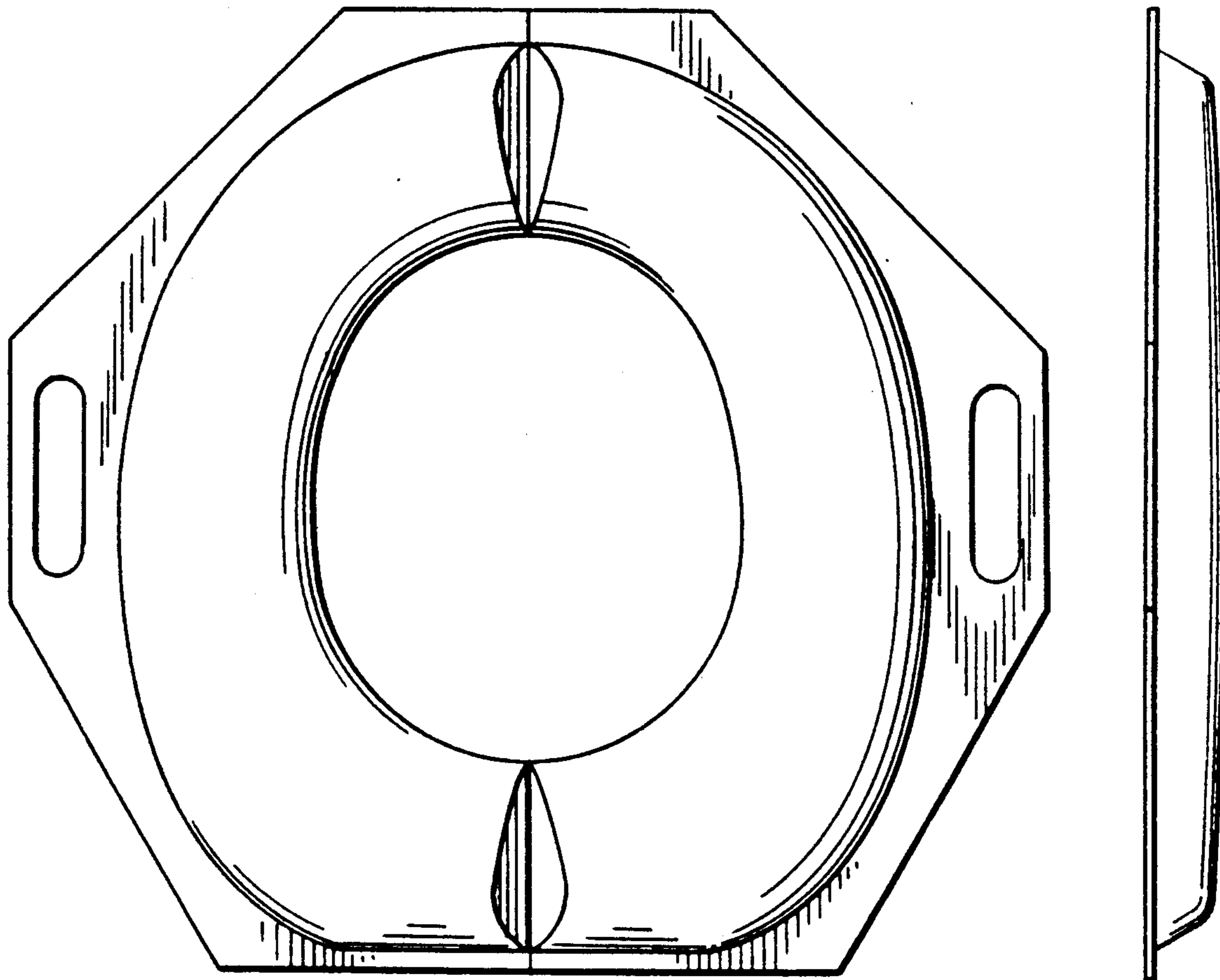


Fig. 1

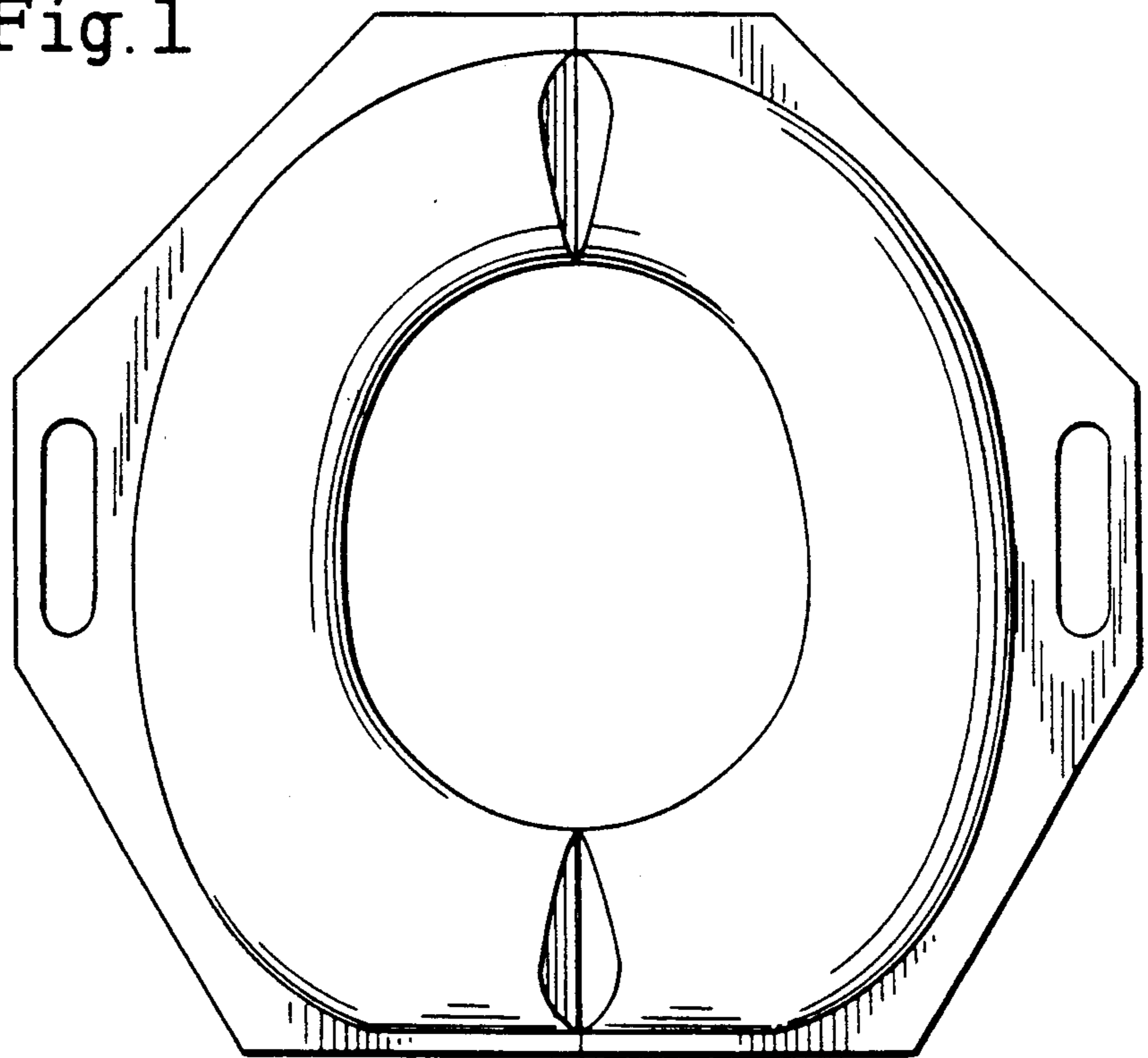


Fig. 3



Fig. 2

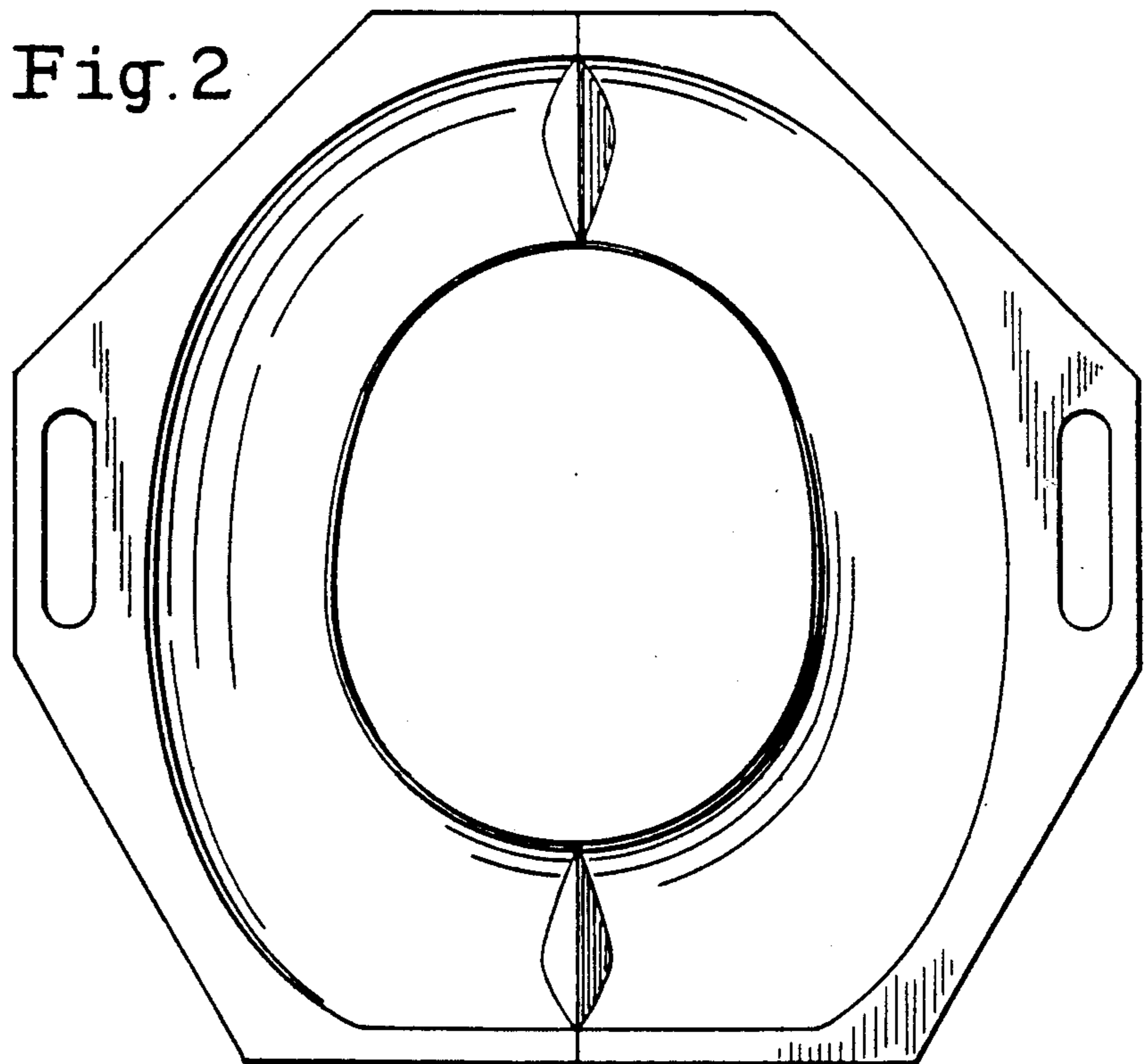


Fig. 4



Fig. 5

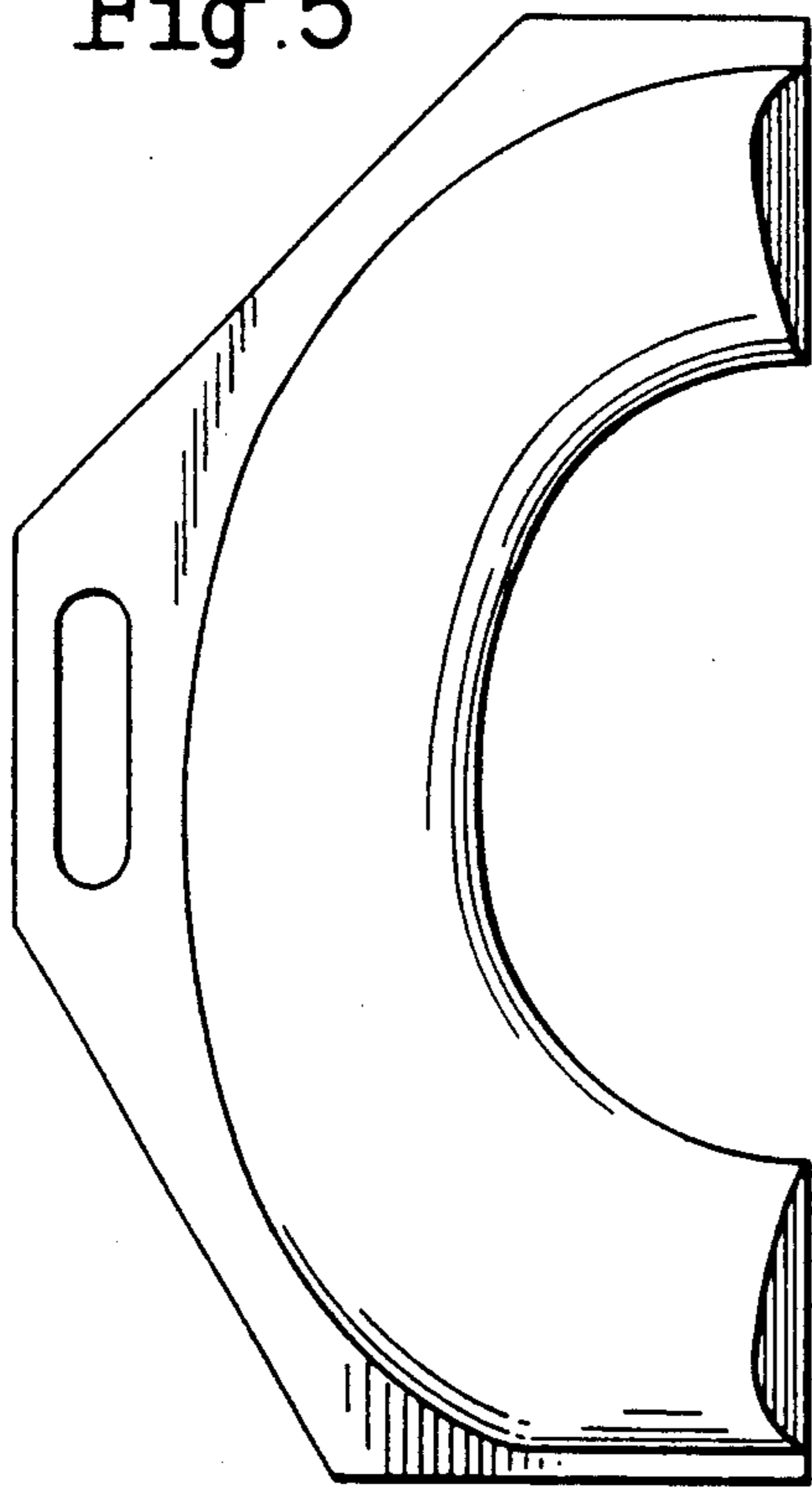


Fig. 7

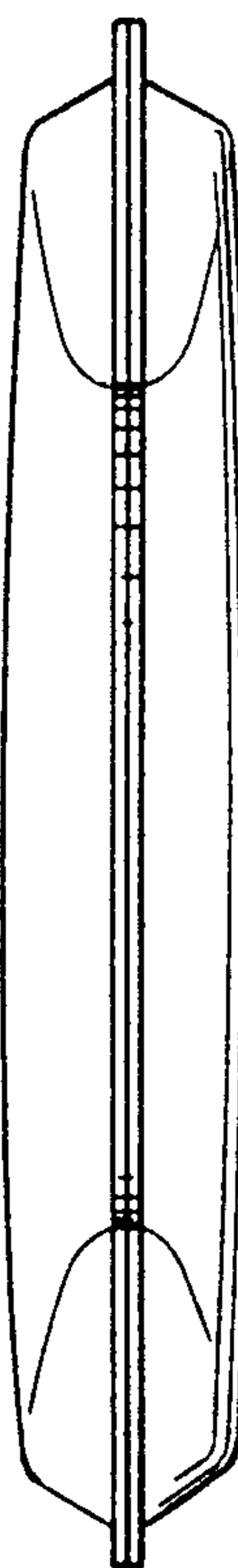


Fig. 6



Fig. 8

