

[54] SHOWERHEAD BODY

4,657,185 4/1987 Rundzaitis ..... 239/460 X

[75] Inventor: Henry M. Stairs, Jr., Neshanic, N.J.

[73] Assignee: American Standard Inc., New York, N.Y.

[\*\*] Term: 14 Years

[21] Appl. No.: 841,371

[22] Filed: Mar. 3, 1986

[52] U.S. Cl. .... D23/229

[58] Field of Search ..... D23/213, 222-230, 239/289, 447, 460, 551, 565

[56] References Cited

U.S. PATENT DOCUMENTS

D. 104,272	4/1937	Lehman	.....	D23/229
D. 143,737	2/1946	Klein	.....	D23/229
D. 208,526	9/1967	Delamater	.....	D23/213
D. 217,606	5/1970	Young	.....	D23/35
D. 217,607	5/1970	Young	.....	D23/35
D. 266,453	10/1982	Miller	.....	D23/229
2,382,066	8/1945	Klein	.....	D23/229 X
3,468,483	9/1969	Parkison	.....	239/460
3,836,083	9/1974	Bell	.....	239/460 X
3,887,136	6/1975	Anderson	.....	239/460

OTHER PUBLICATIONS

American-Standard Plumbing Fixtures & Fittings catalog, 1972-73, p. 12-10.

American Standard catalog, 1981—pp. 6-13.

Primary Examiner—James R. Largen

Attorney, Agent, or Firm—James J. Salerno, Jr.; Robert G. Crooks; John P. Sinnott

[57] CLAIM

The ornamental design for a showerhead body, as shown and described.

DESCRIPTION

FIG. 1 is an isometric view of a showerhead body embodying my new design;

FIG. 2 is a right side elevational view thereof;

FIG. 3 is a left side elevational view thereof;

FIG. 4 is a front elevational view thereof, the rear being a mirror image of the front shown;

FIG. 5 is a top plan view thereof; and

FIG. 6 is a bottom plan view thereof.

The broken line representation of a shower spray nozzle in FIG. 6 is for purposes of illustration only and forms no part of the claimed design.

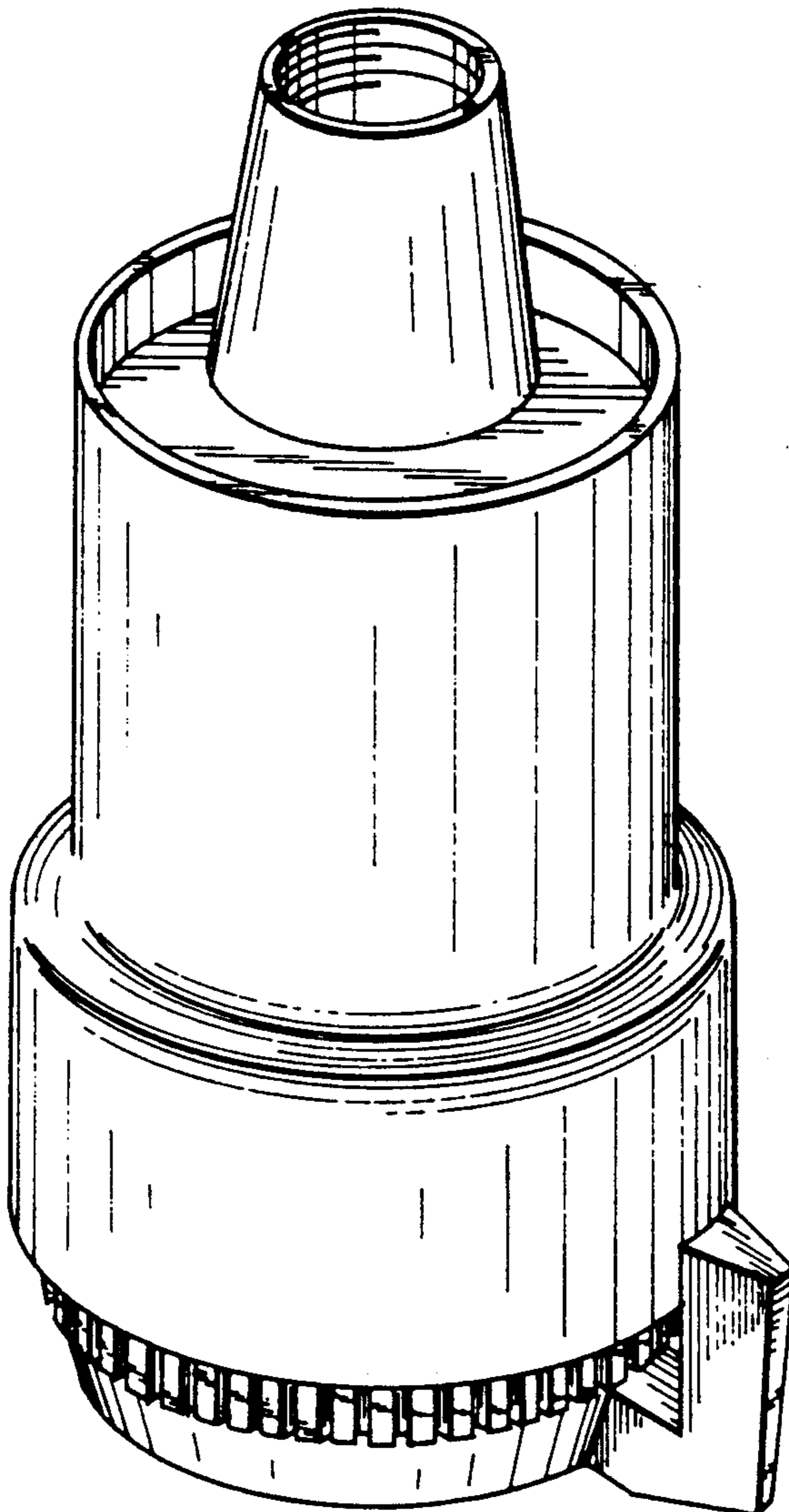


FIG. 1

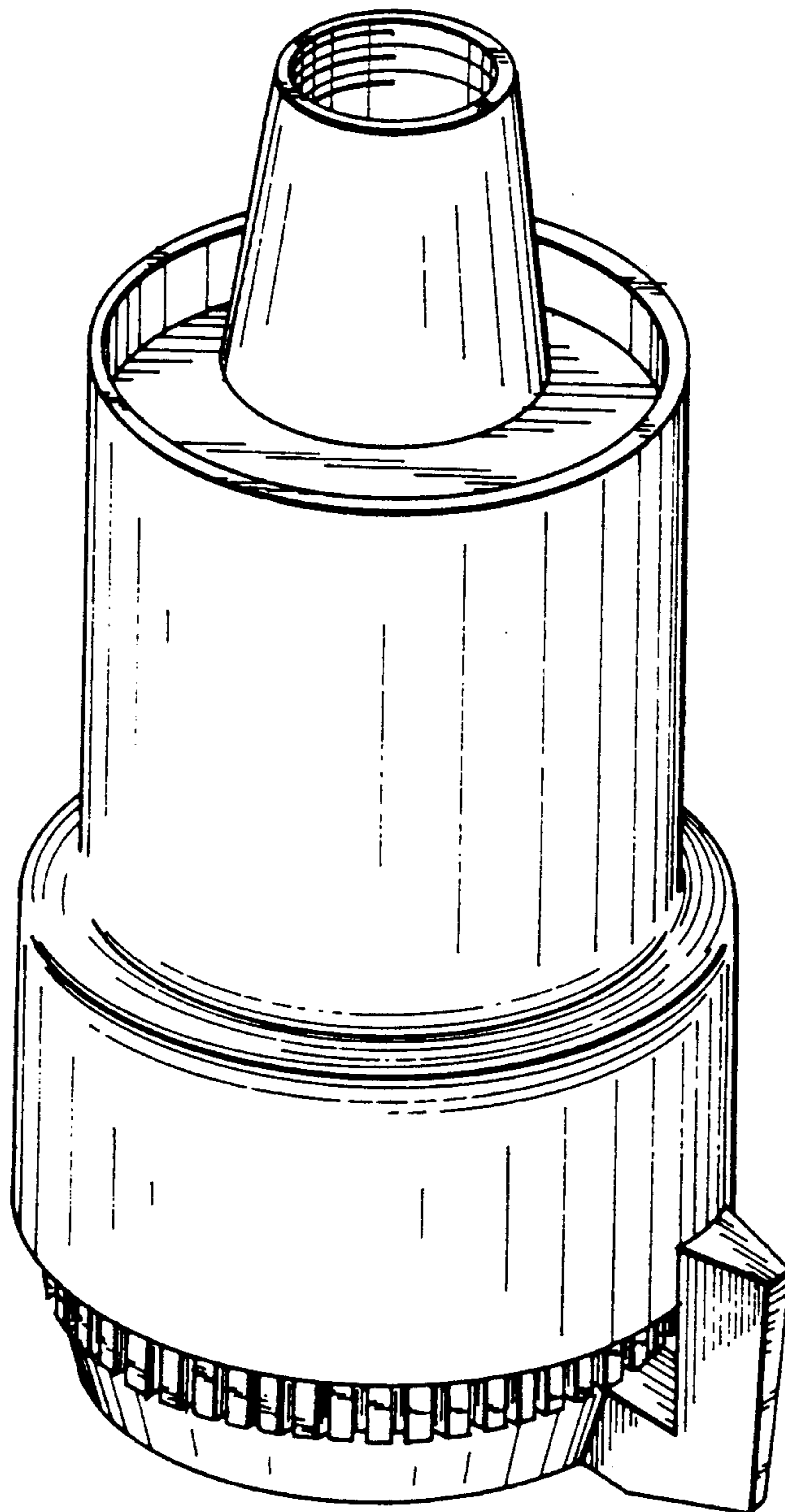


FIG. 2

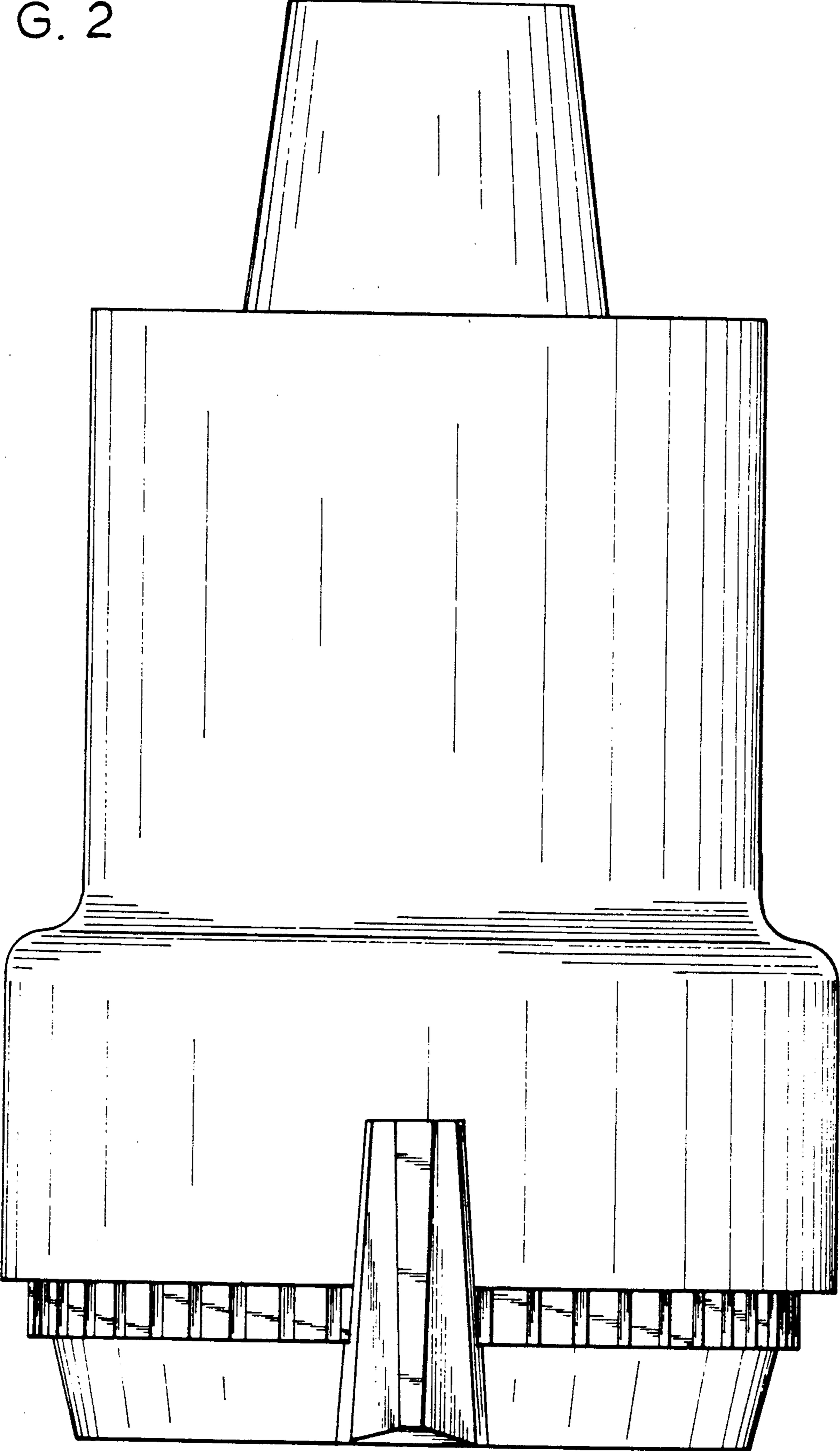


FIG. 3

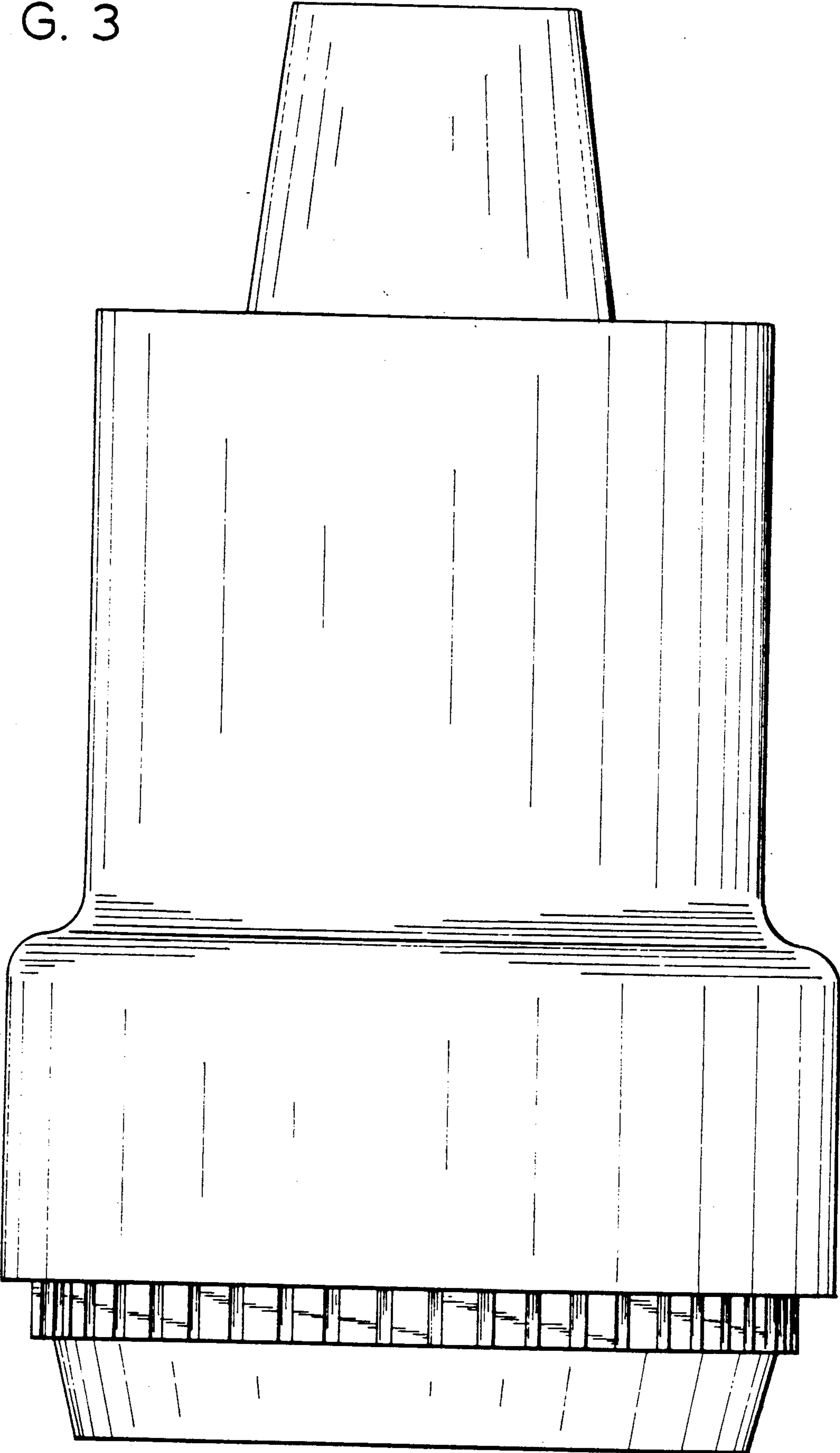


FIG. 4

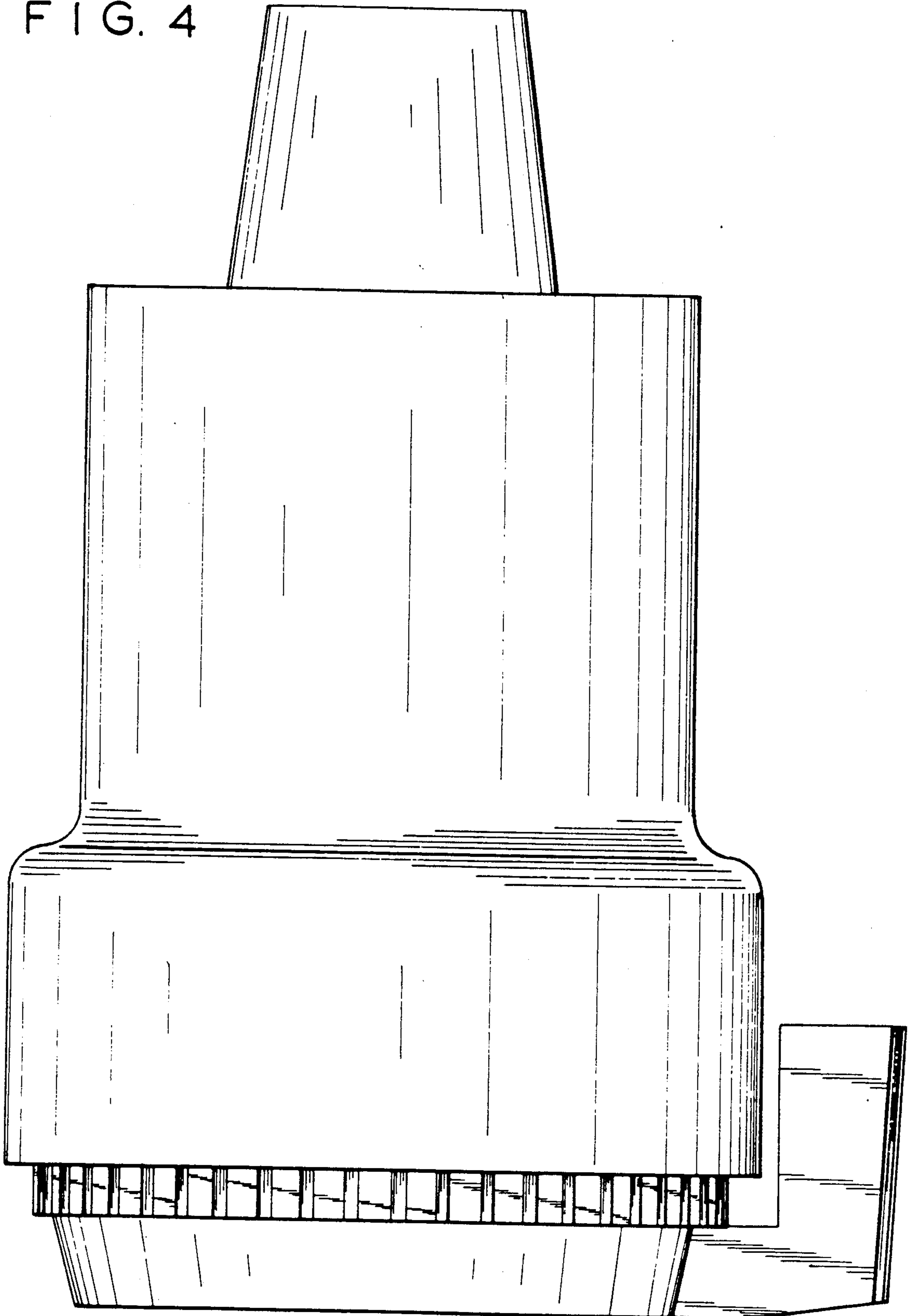


FIG. 5

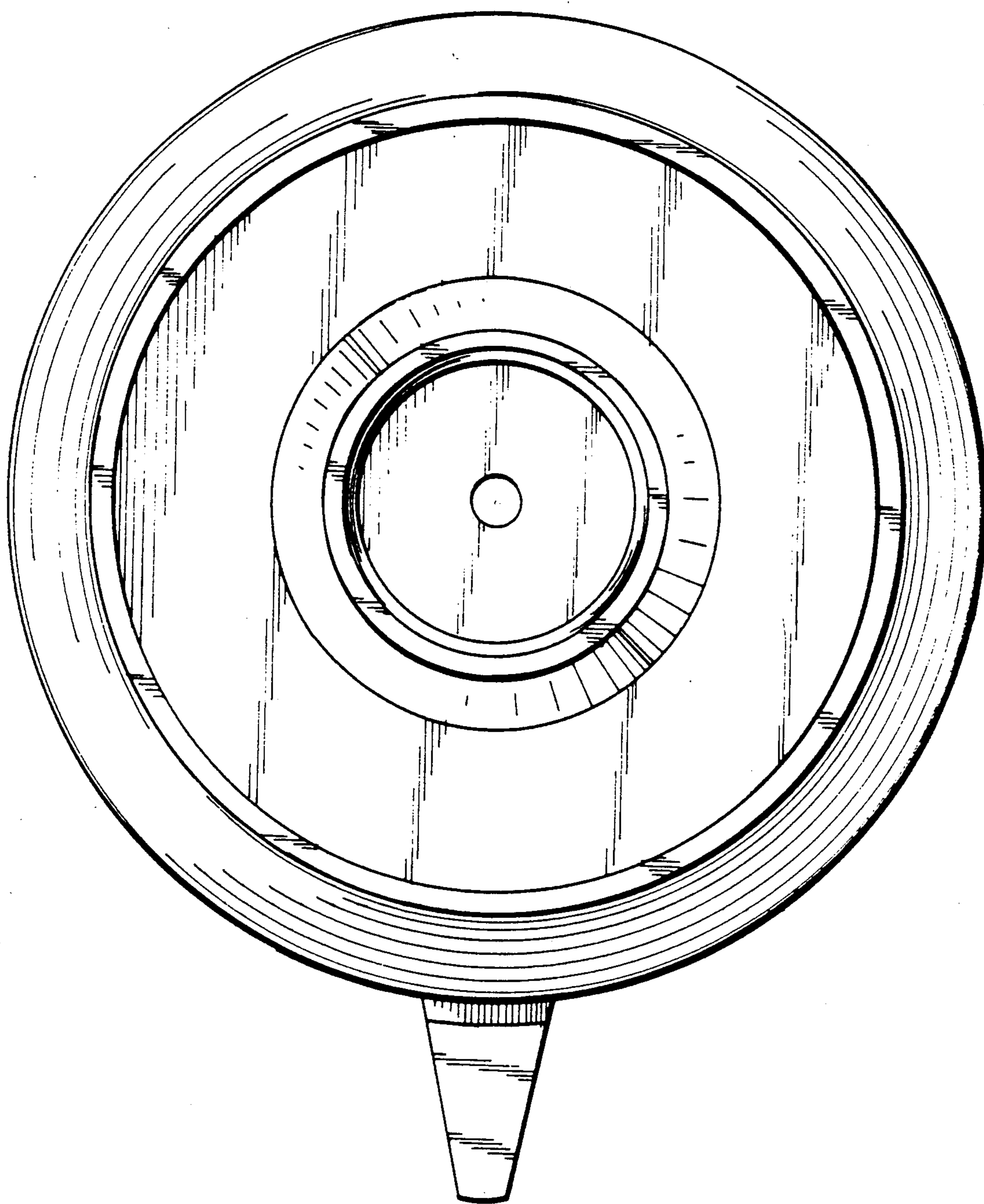


FIG. 6

