

# United States Patent [19]

Tajima et al.

[11] Patent Number: Des. 314,421

[45] Date of Patent: \*\* Feb. 5, 1991

[54] AIR SPRAY GUN

[75] Inventors: Hitoshi Tajima; Shiro Sato, both of Oomagari, Japan

[73] Assignee: Iwata Air Compressor Mfg. Co., Ltd., Tokyo, Japan

[\*\*] Term: 14 Years

[21] Appl. No.: 233,062

[22] Filed: Aug. 17, 1988

[52] U.S. Cl. .... D23/226

[58] Field of Search ..... D23/213, 223-227;  
239/301, 332, 373, 394, 414-415, 525-528, 532,  
554, 556, 690, 691, 700-703; 251/244;  
361/227-228, 235

[56] References Cited

## U.S. PATENT DOCUMENTS

D. 119,053 2/1940 Tammen ..... D23/225 X  
D. 133,394 8/1942 Sundberg et al. .... D23/226  
2,462,262 2/1949 Gustafsson et al. .... 239/414  
2,864,653 12/1958 Liedberg et al. .... 239/528 X

## FOREIGN PATENT DOCUMENTS

13000 8/1962 Japan .

## OTHER PUBLICATIONS

Iwata Air Compressor Mfg. Co., Ltd. Catalog No. SE-43 8802 entitled "VX-707 Spray Gun".

Iwata Air Compressor Mfg. Co., Ltd. Catalog No. TE-04 8803.5 entitled "Iwata Main Products".

Primary Examiner—Wallace R. Burke

Assistant Examiner—M. H. Tung

Attorney, Agent, or Firm—Frost & Jacobs

[57] CLAIM

The ornamental design for an air spray gun, as shown and described.

## DESCRIPTION

FIG. 1 is a perspective view of an air spray gun showing our new design, on a reduced scale;

FIG. 2 is a front elevational view thereof;

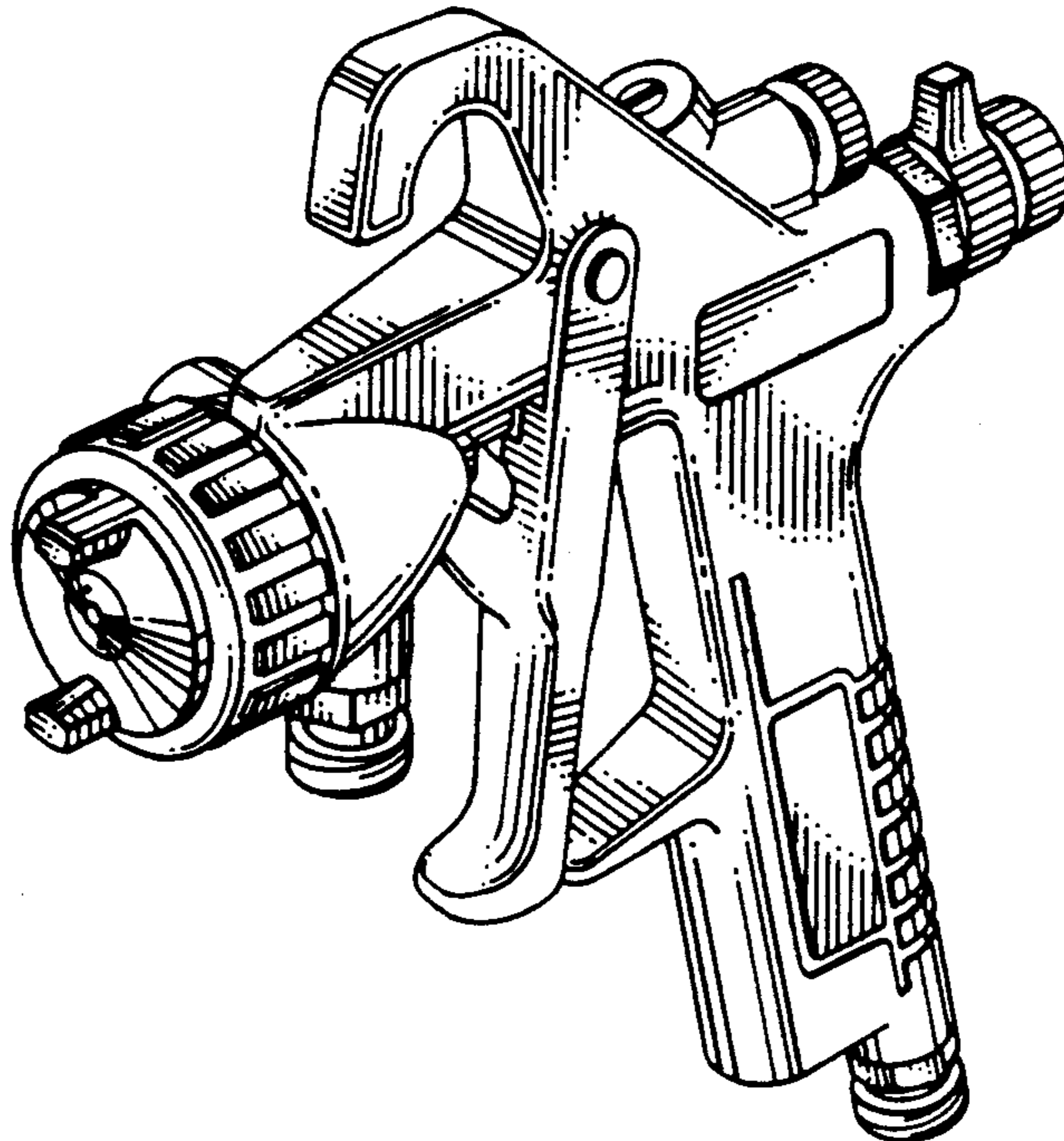
FIG. 3 is a left side elevational view thereof;

FIG. 4 is a top plan view thereof;

FIG. 5 is a bottom plan view thereof;

FIG. 6 is a rear elevational view thereof;

FIG. 7 is a right side elevational view thereof.



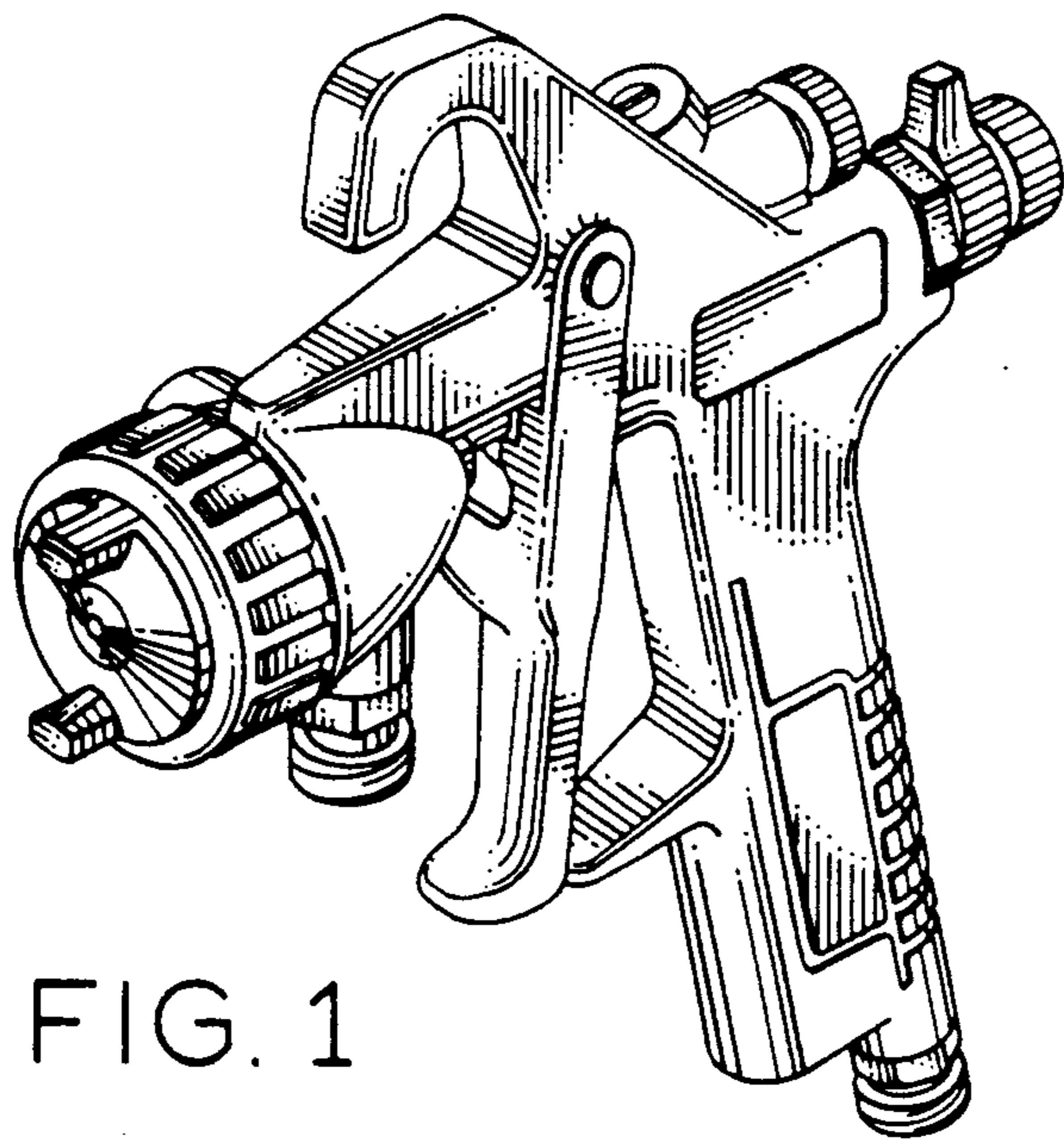


FIG. 1

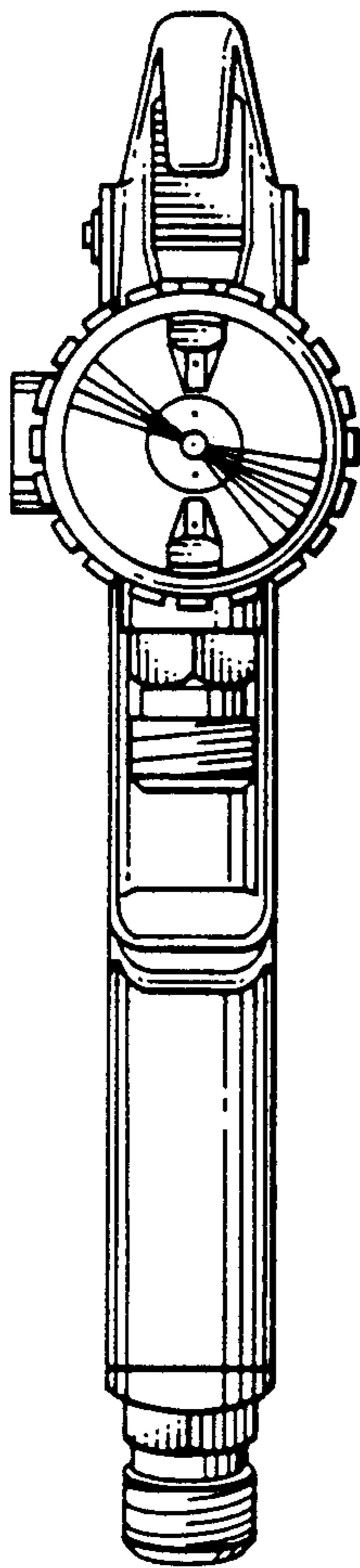


FIG. 2

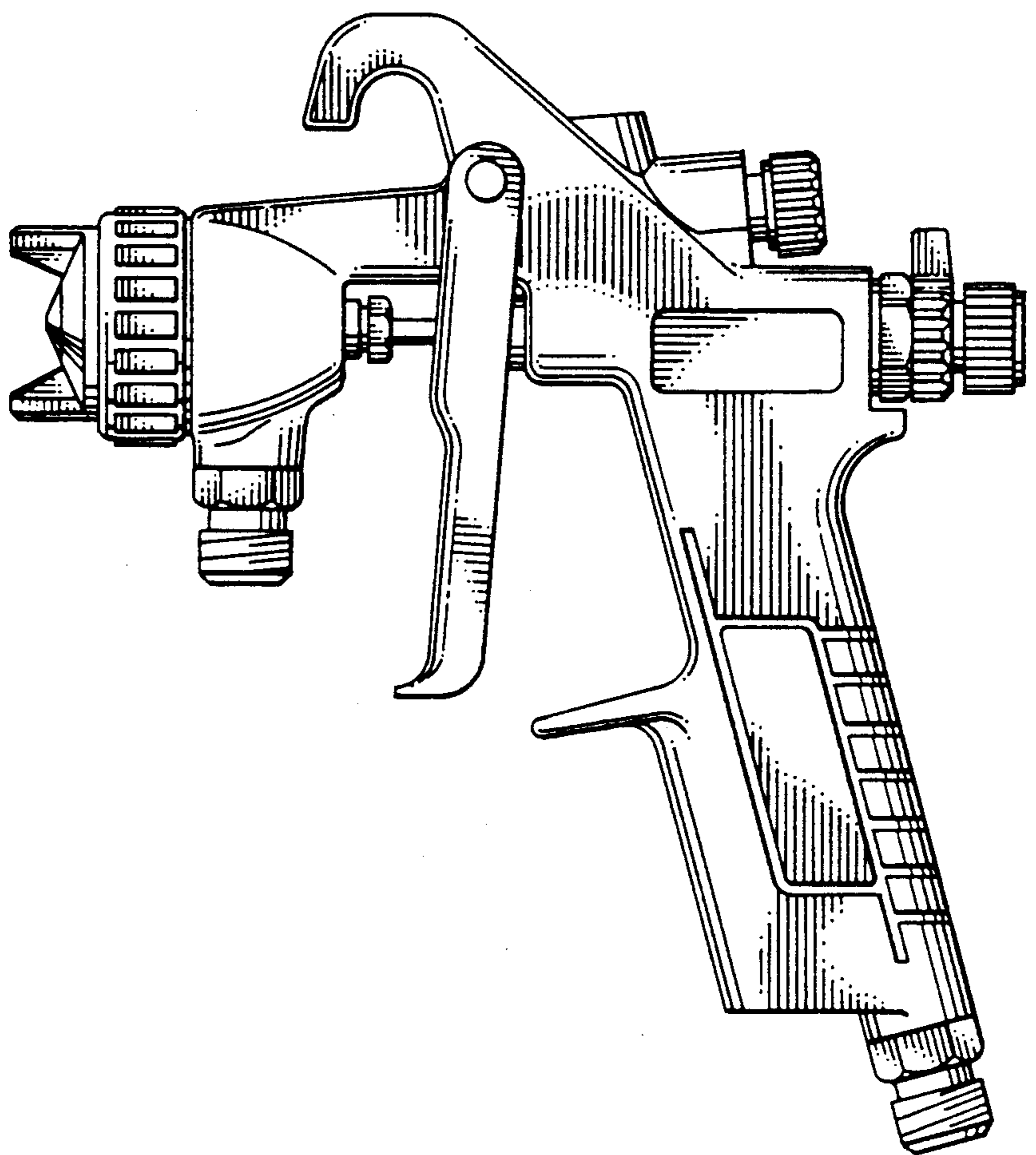


FIG. 3

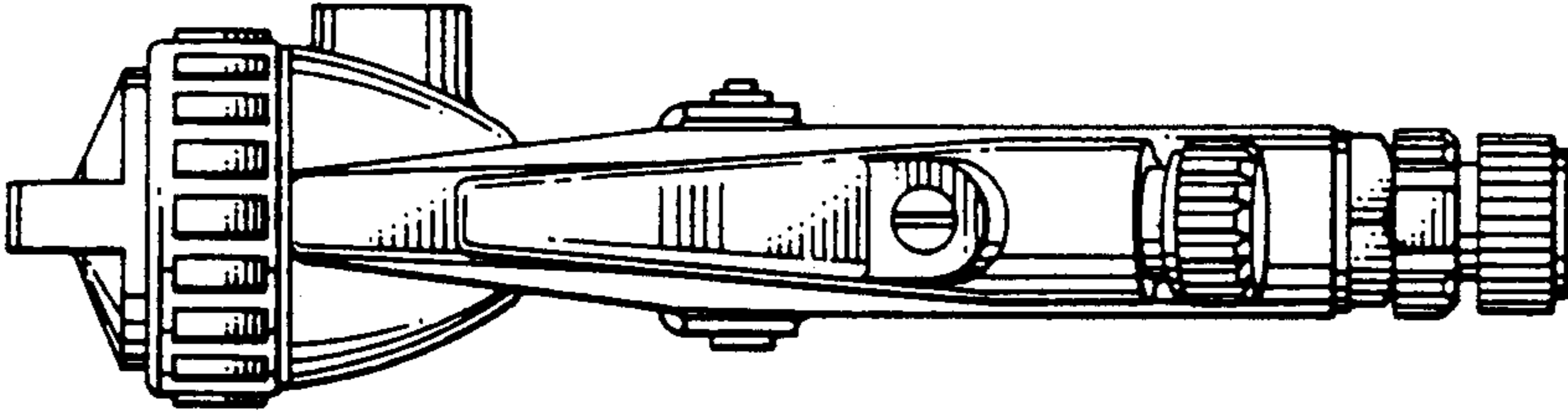


FIG. 4

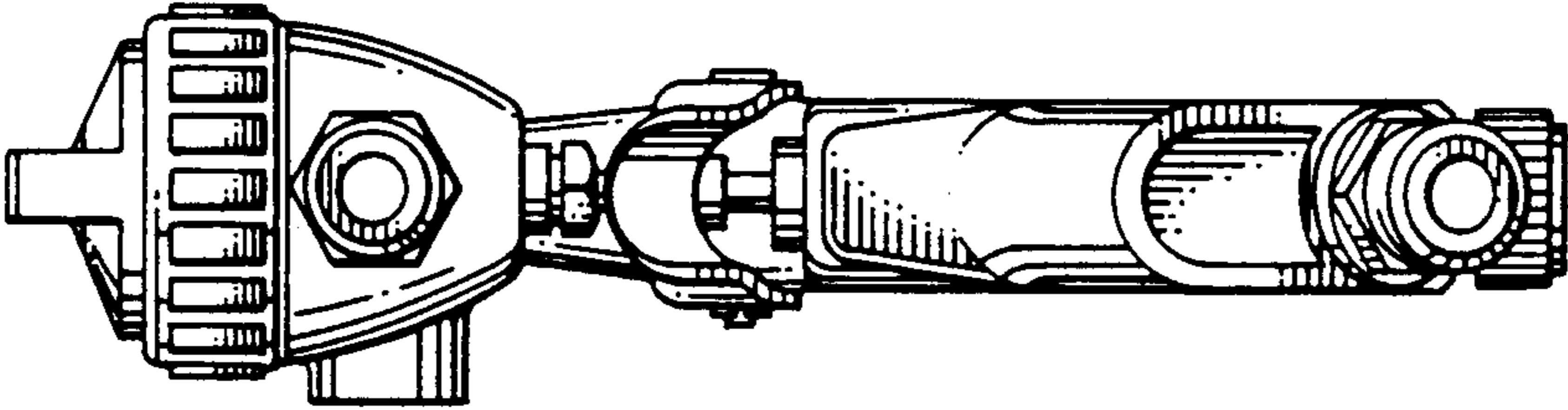


FIG. 5

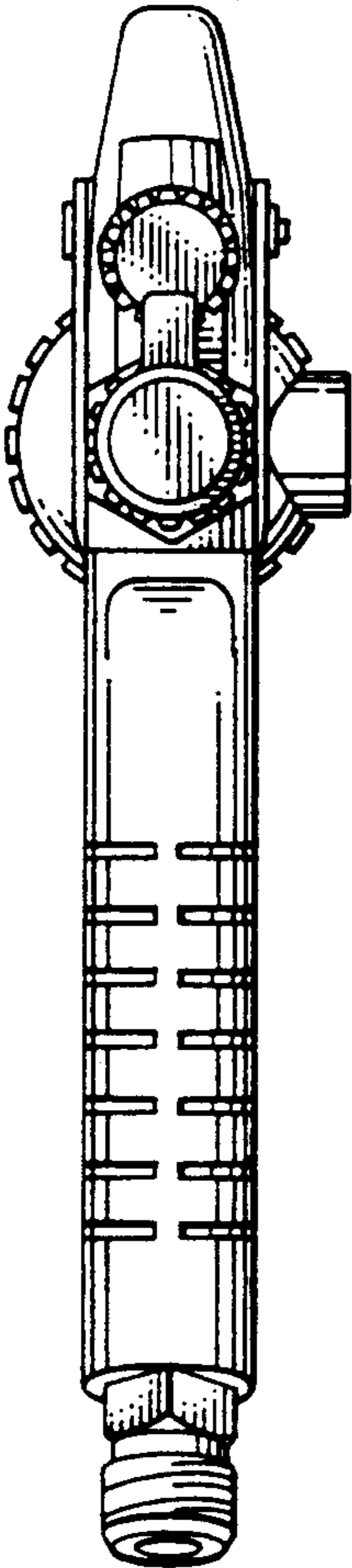


FIG. 6

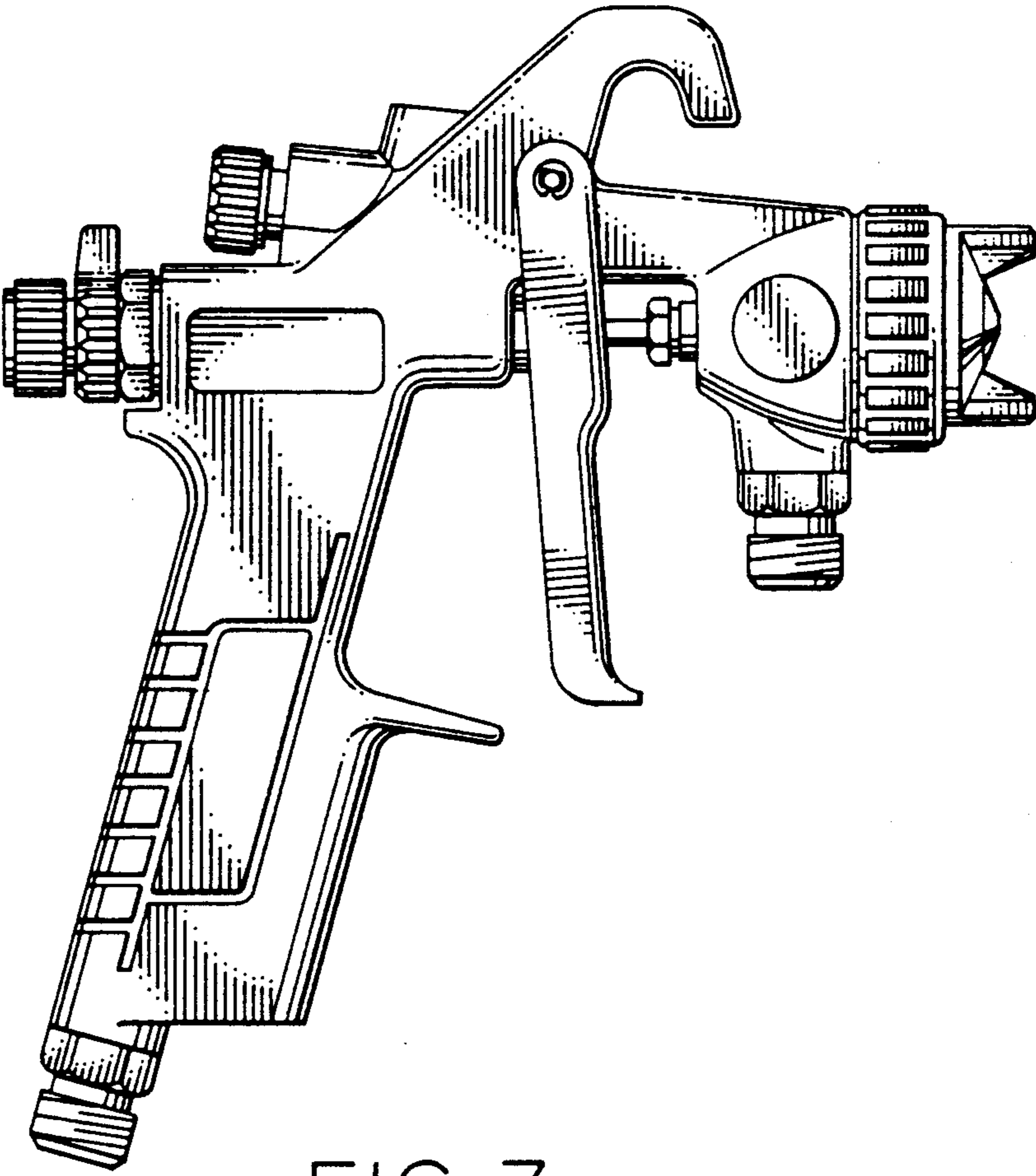


FIG. 7