

[54] COMBINED SPRAY COMPRESSOR AND SPRAY GUN

[75] Inventor: Tsutomu Tomatsu, Aichi, Japan

[73] Assignee: Pilot Ink Co., Ltd., Aichi, Japan

[**] Term: 14 Years

[21] Appl. No.: 262,364

[22] Filed: Oct. 25, 1988

[30] Foreign Application Priority Data

Apr. 26, 1988 [JP] Japan 63-16964
 [52] U.S. Cl. D23/225; D15/9
 [58] Field of Search D23/213, 223-227;
 239/301, 332, 373, 394, 414-415, 525-528, 532,
 554, 556, 690, 691, 700-703; 251/244;
 361/227-228, 235; D15/7, 9; 417/321, 405, 410,
 416, 420, 423.1, 572

[56] References Cited

U.S. PATENT DOCUMENTS

D. 296,104 6/1988 Hung D15/9
 D. 304,197 10/1989 Adolfo D15/9
 1,703,384 2/1929 Birkenmaier 239/415 X
 2,886,252 5/1959 Ehrensperger 239/526 X

OTHER PUBLICATIONS

Hong Kong Enterprise Item Goodhope Air Compressors, 5-1986.

Primary Examiner—Susan J. Lucas
 Assistant Examiner—M. H. Tung
 Attorney, Agent, or Firm—Sughrue, Mion, Zinn,
 Macpeak & Seas

[57] CLAIM

The ornamental design for a combined spray compressor and spray gun, as shown and described.

DESCRIPTION

FIG. 1 is a front, top right side perspective view of a combined spray compressor and spray gun showing my new design, the spray gun shown attached to the spray compressor;
 FIG. 2 is a front, top, right side perspective view thereof, the spray gun shown removed from the spray compressor;
 FIG. 3 is a front elevational view thereof, the spray compressor shown separately for clarity of illustration;
 FIG. 4 is a right side elevational view thereof;
 FIG. 5 is a rear elevational view thereof;
 FIG. 6 is a left side elevational view thereof;
 FIG. 7 is a top plan view thereof;
 FIG. 8 is a bottom plan view thereof;
 FIG. 9 is a front elevational view thereof, the spray gun shown separately for clarity of illustration;
 FIG. 10 is a right side elevational view thereof;
 FIG. 11 is a rear elevational view thereof;
 FIG. 12 is a left side elevational view thereof;
 FIG. 13 is a top plan view thereof; and
 FIG. 14 is a bottom plan view thereof.

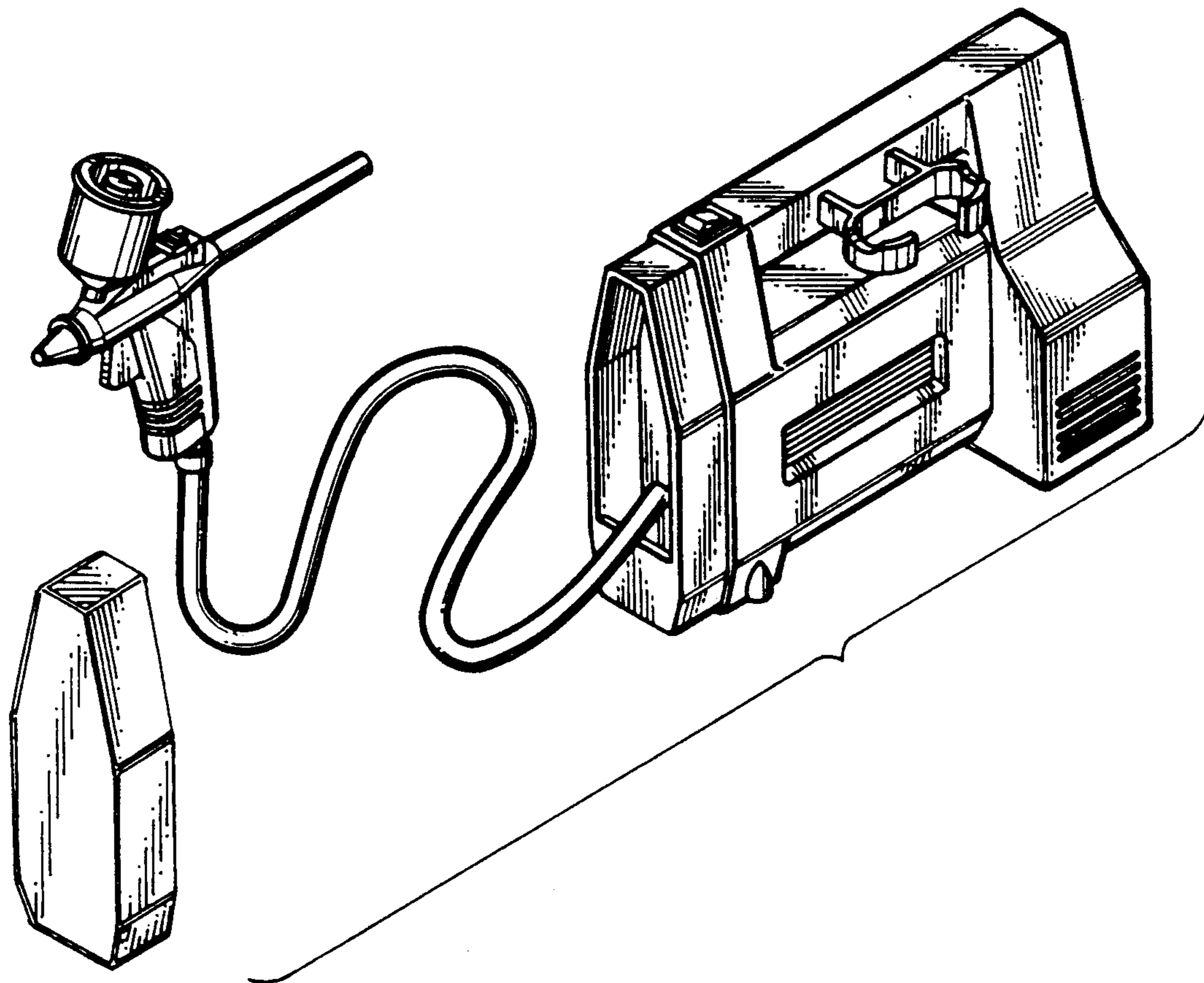


Fig. 1

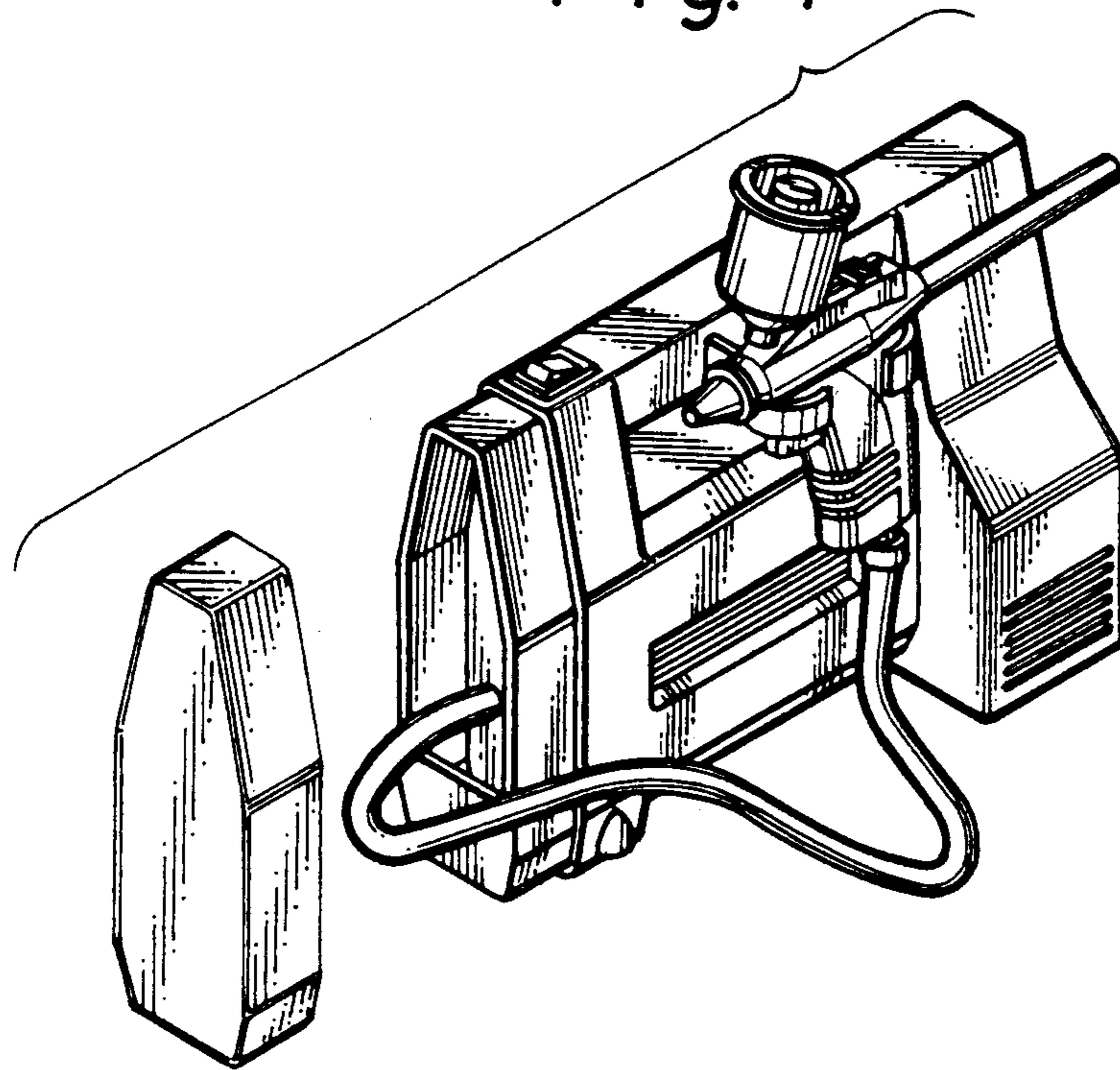


Fig. 2

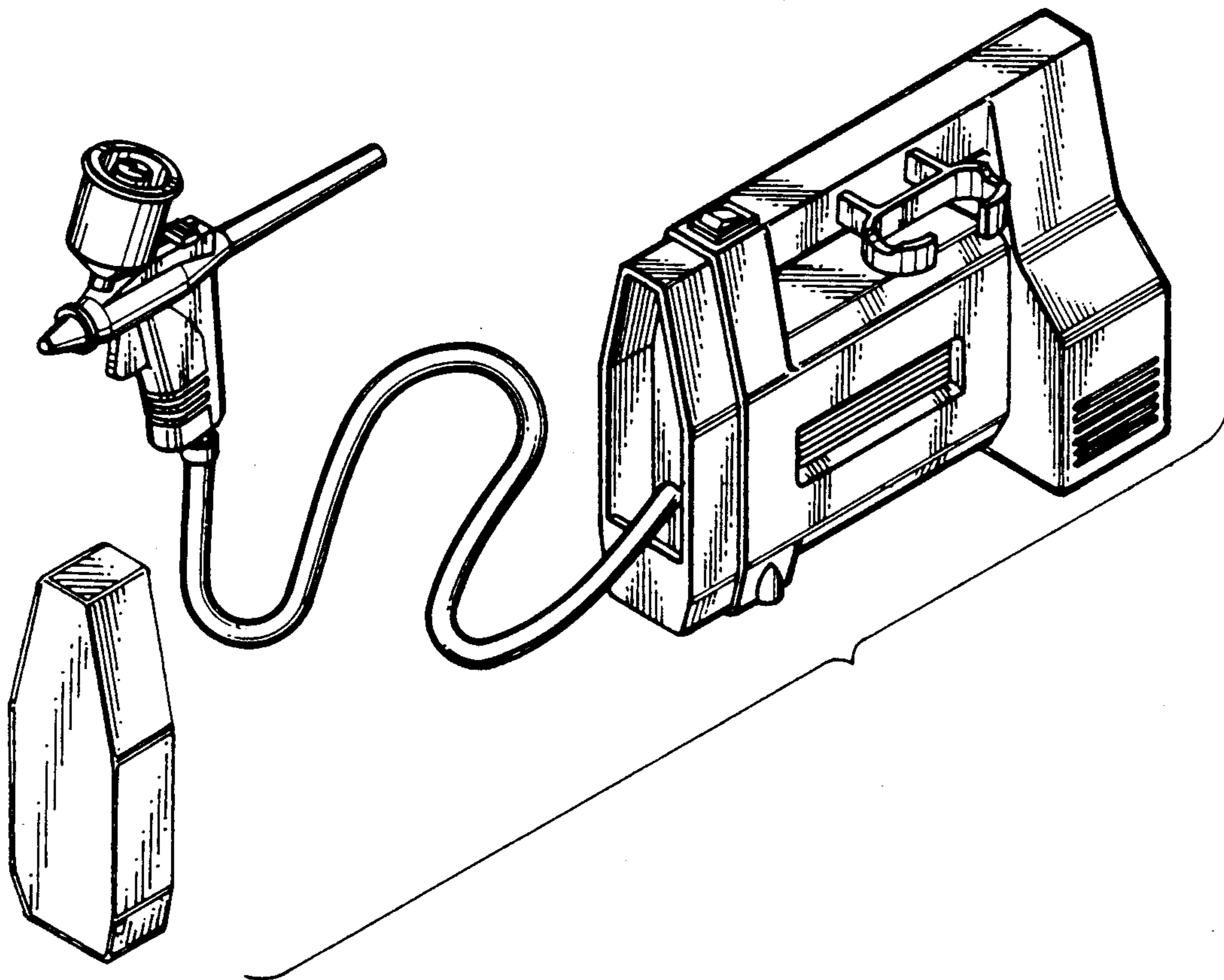


Fig. 3

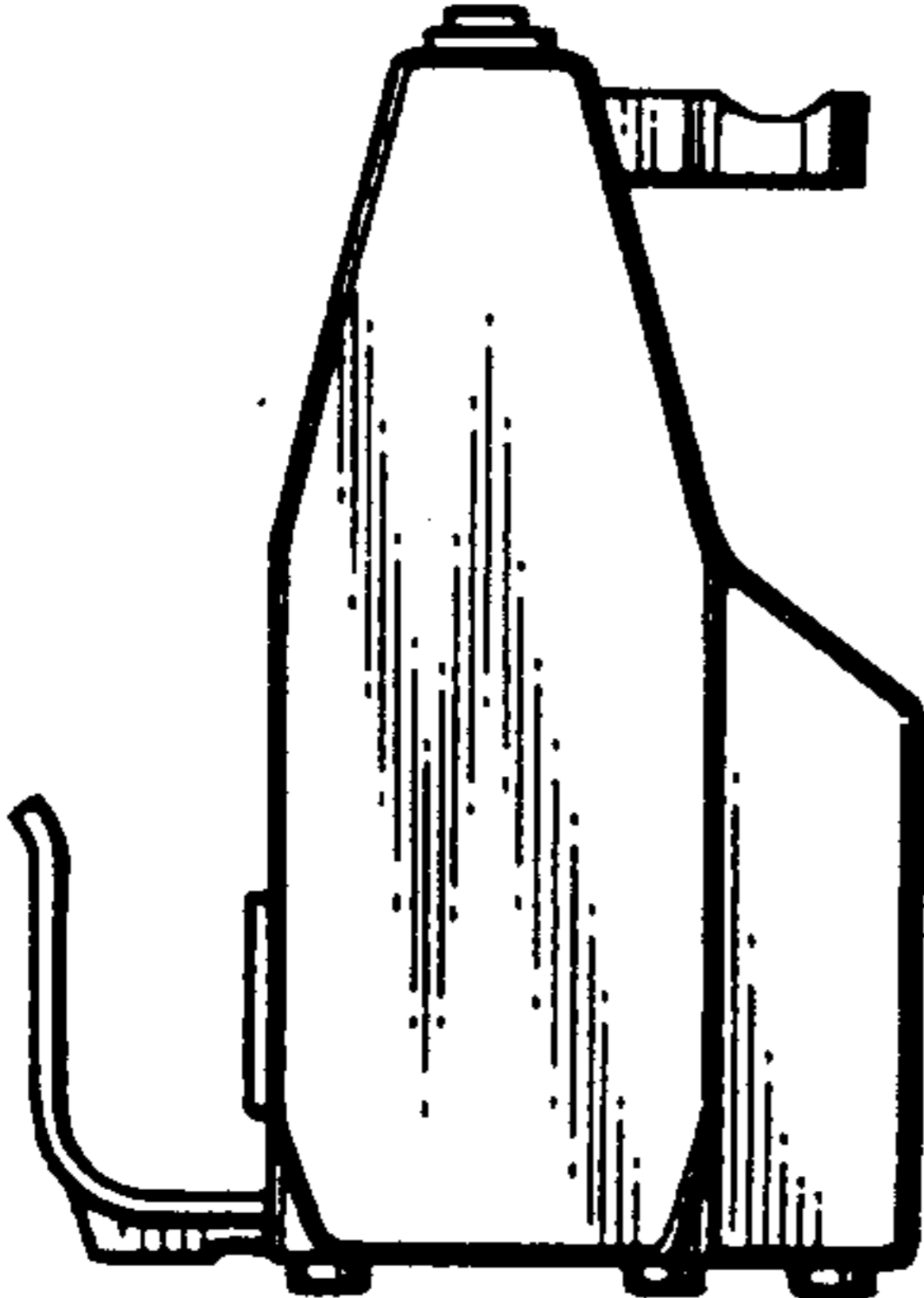


Fig. 4

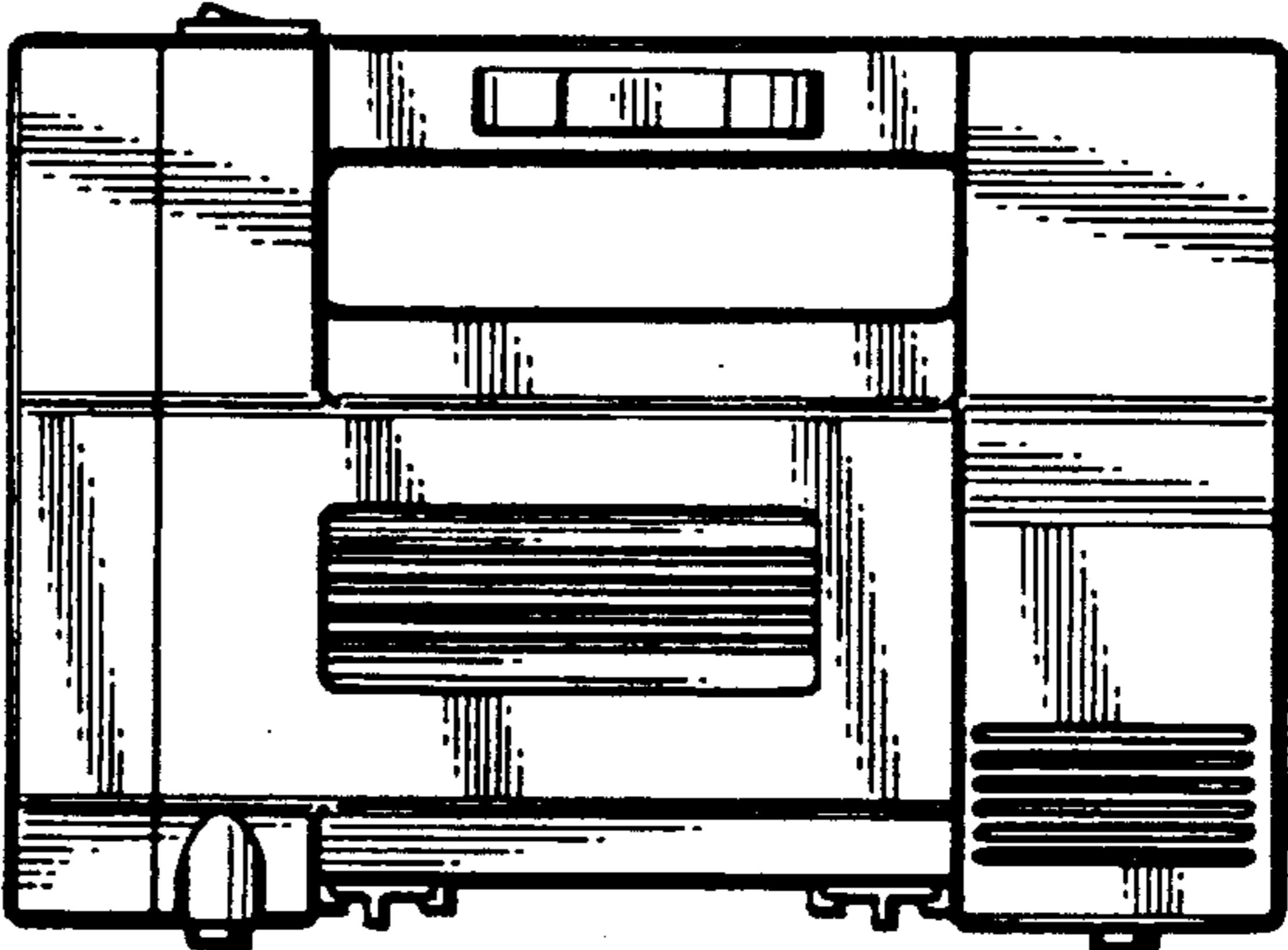


Fig. 5

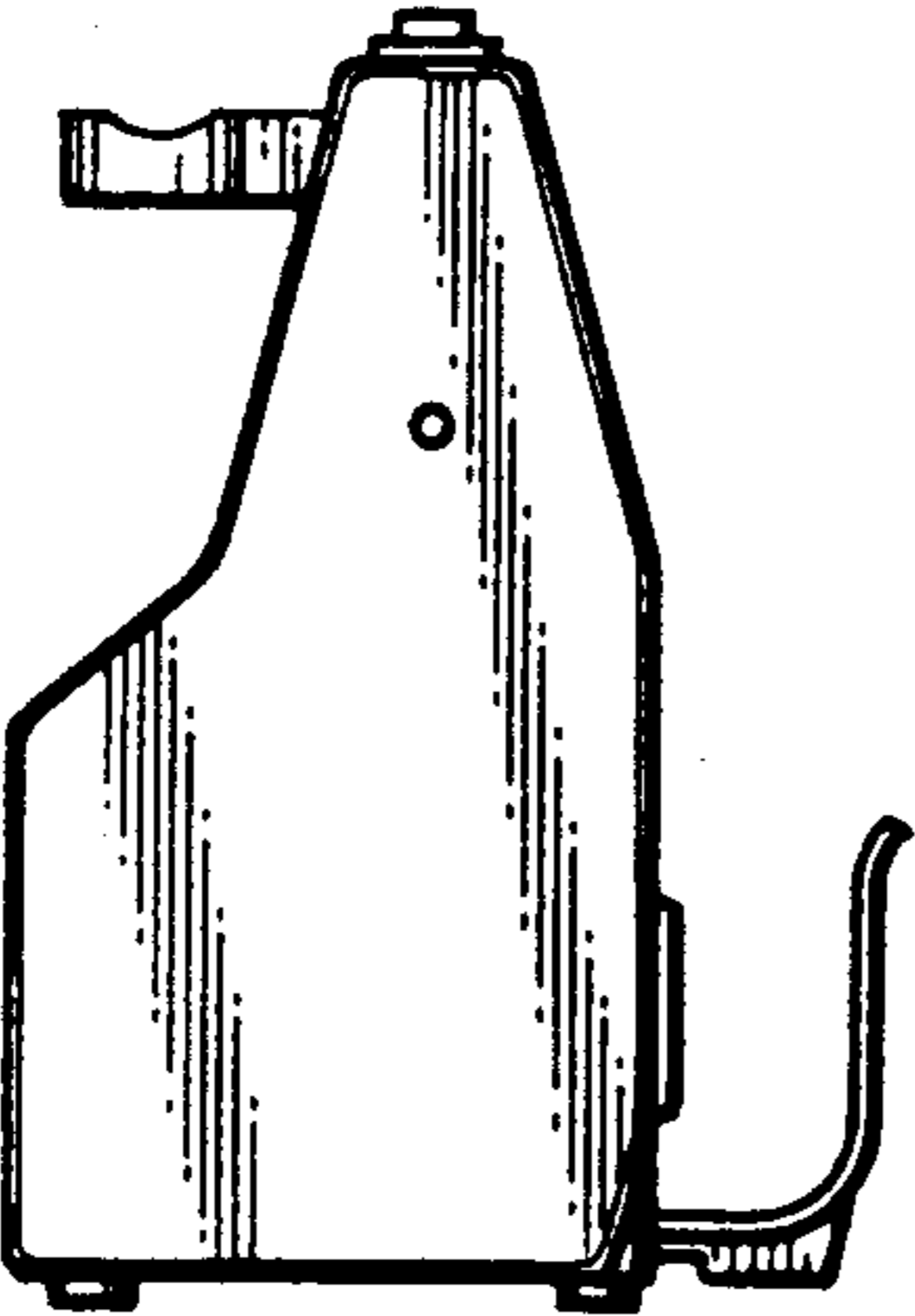


Fig. 6

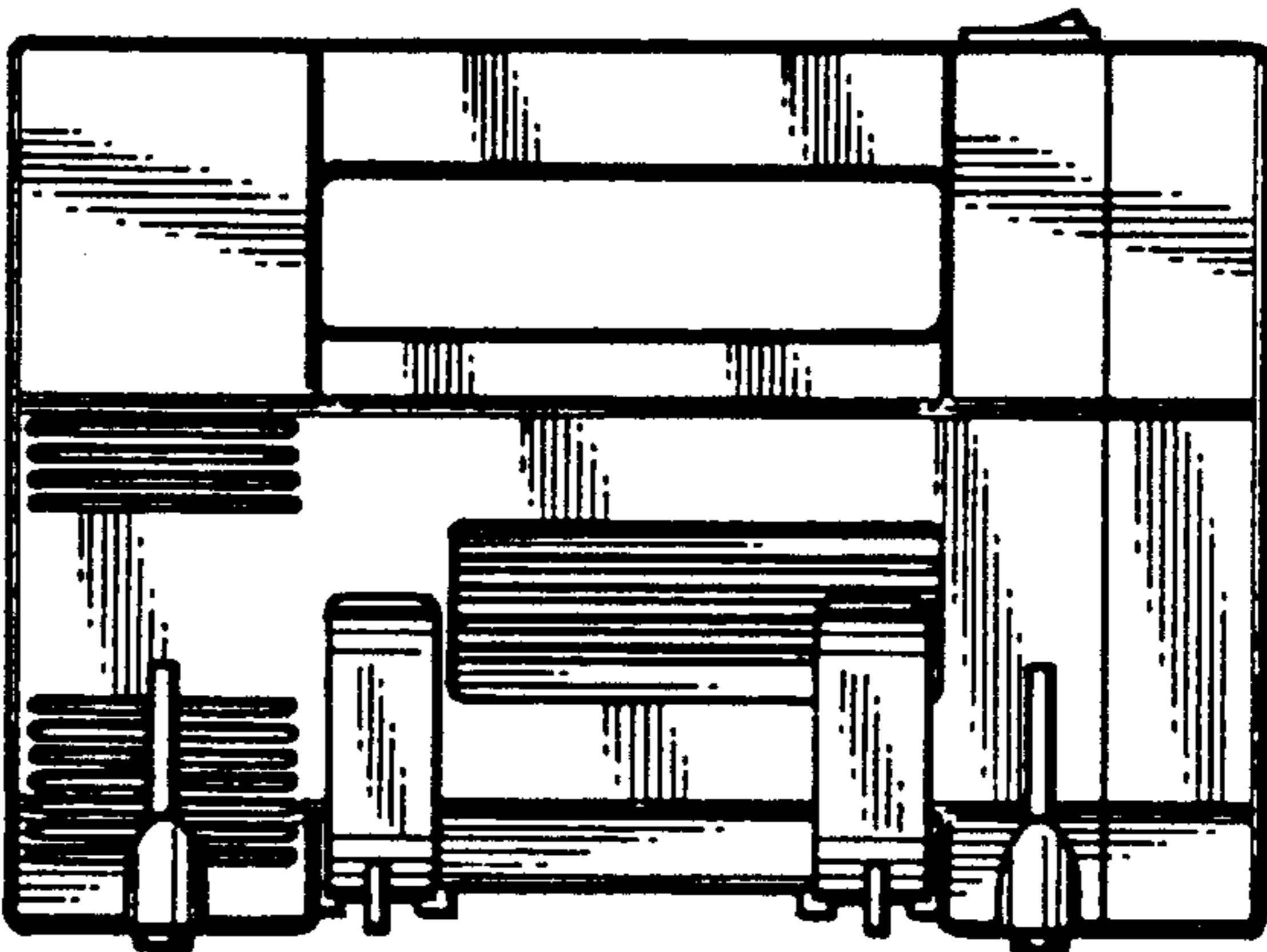


Fig. 7

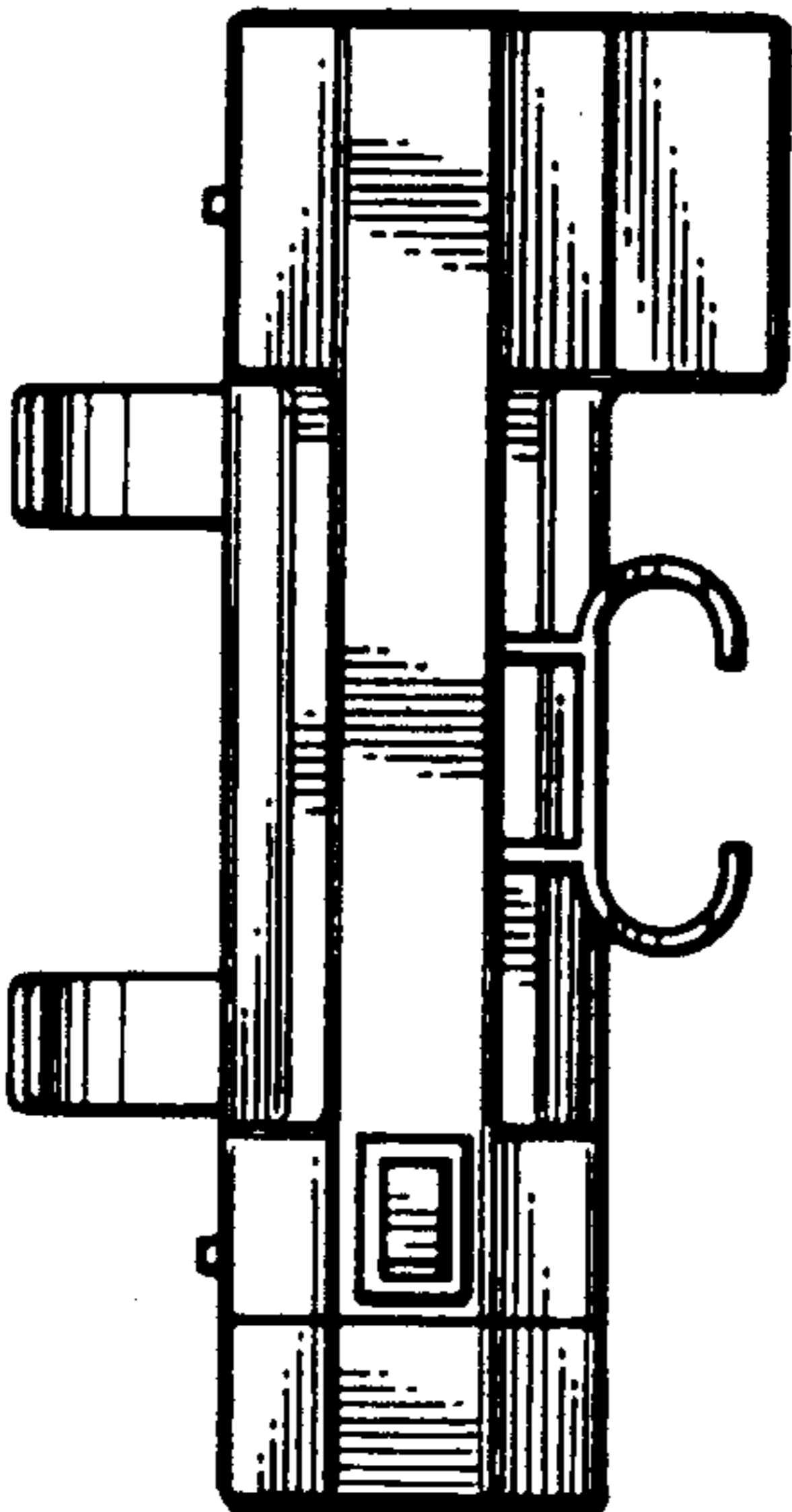


Fig. 8

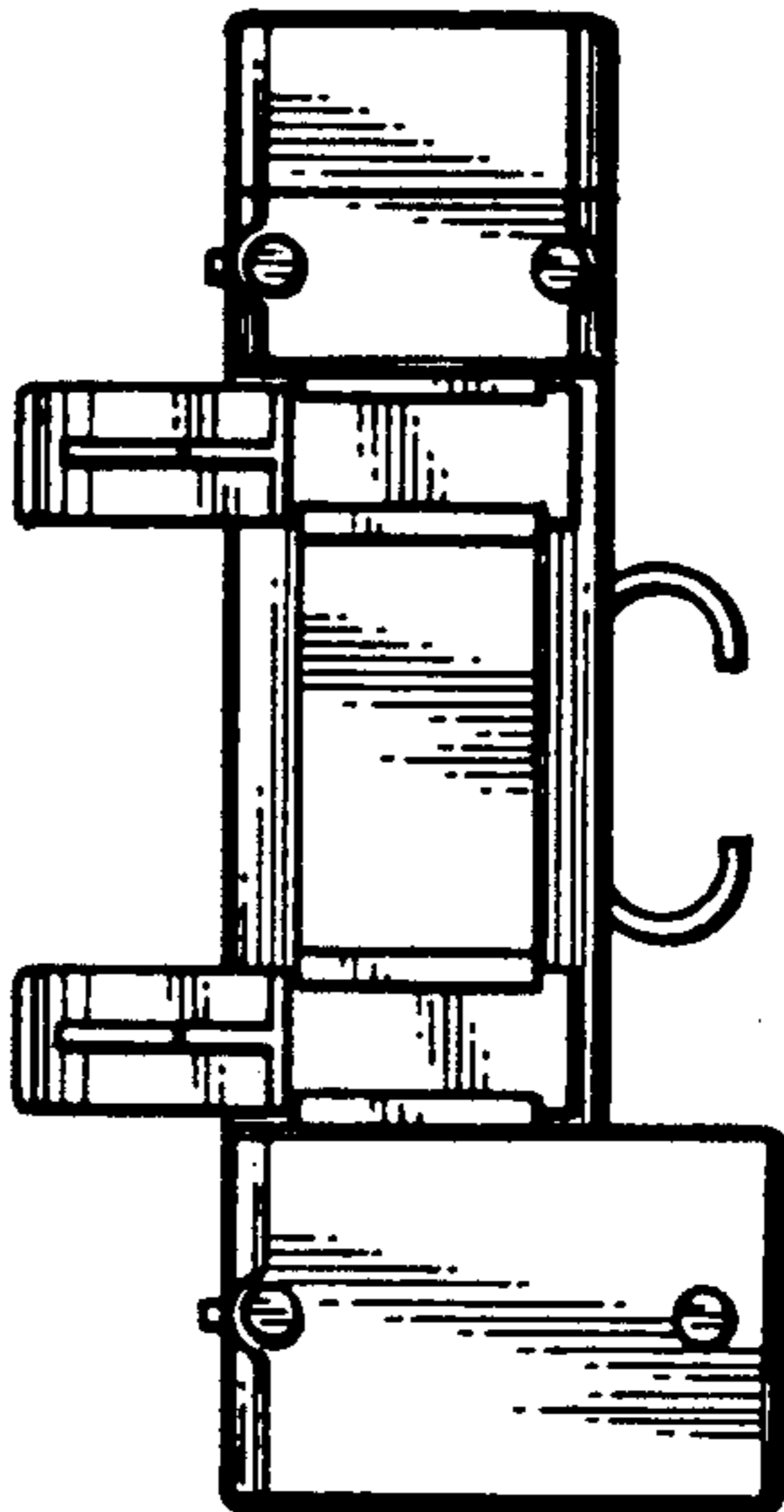


Fig. 9

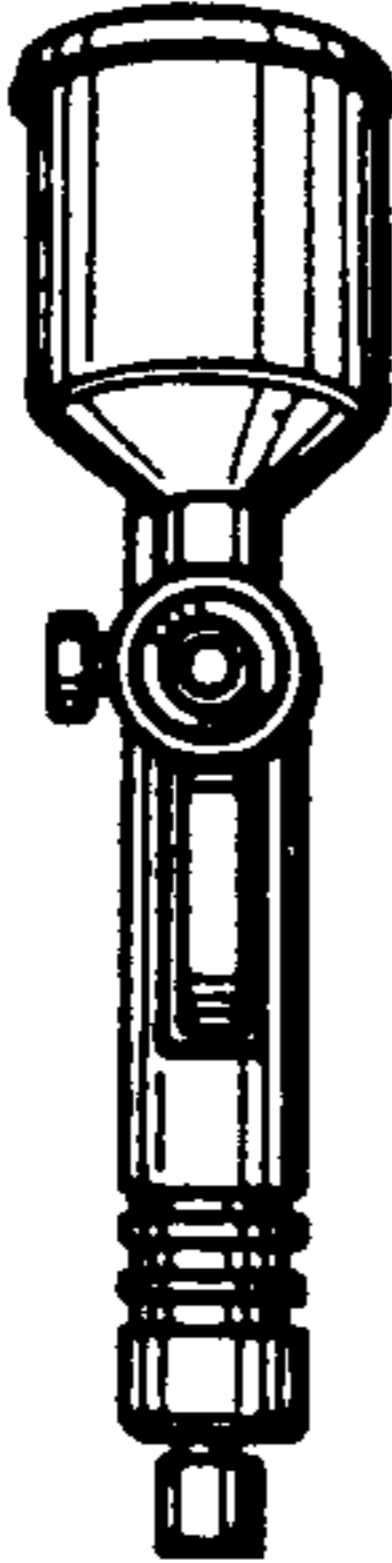


Fig. 10

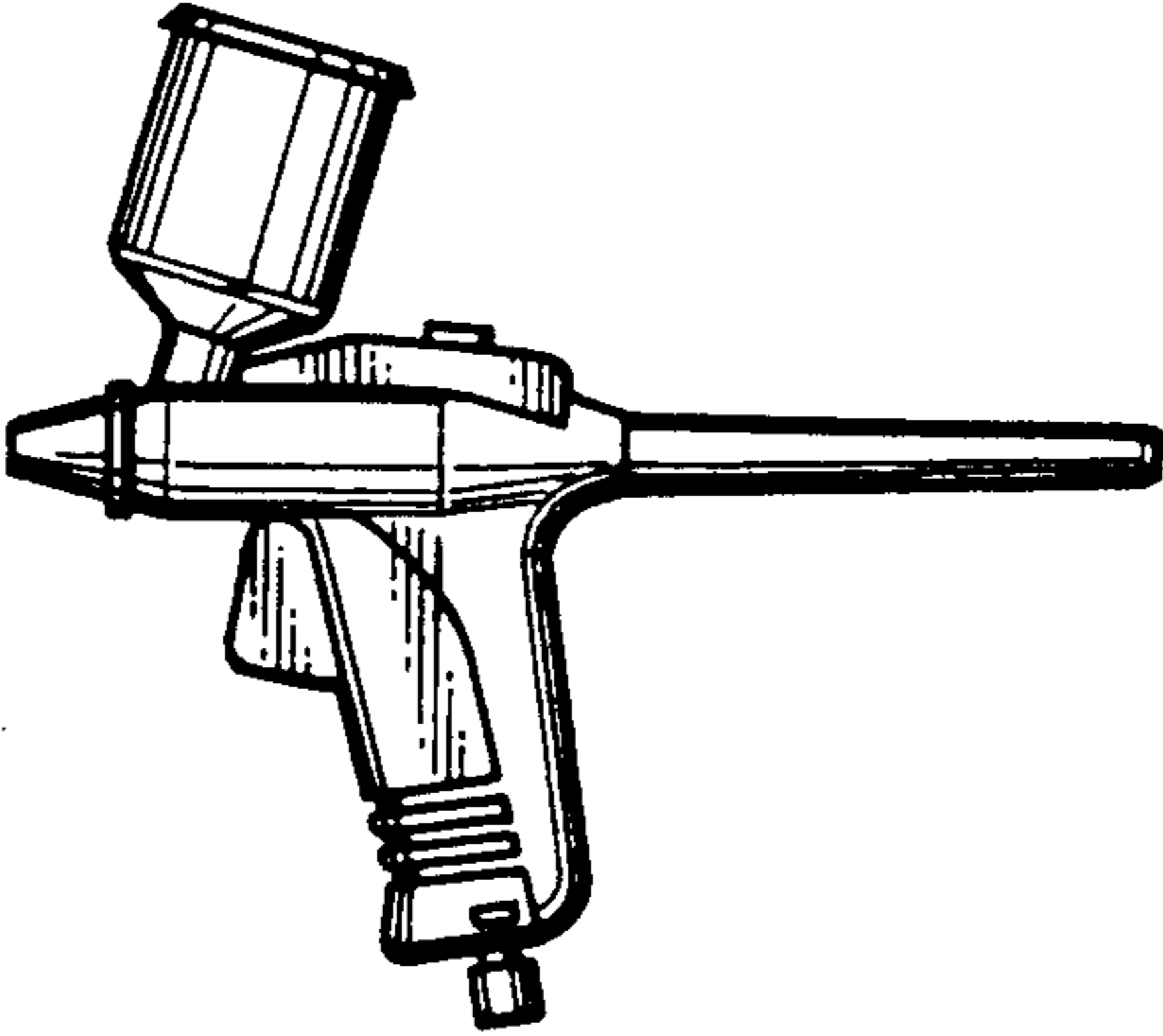


Fig. 11

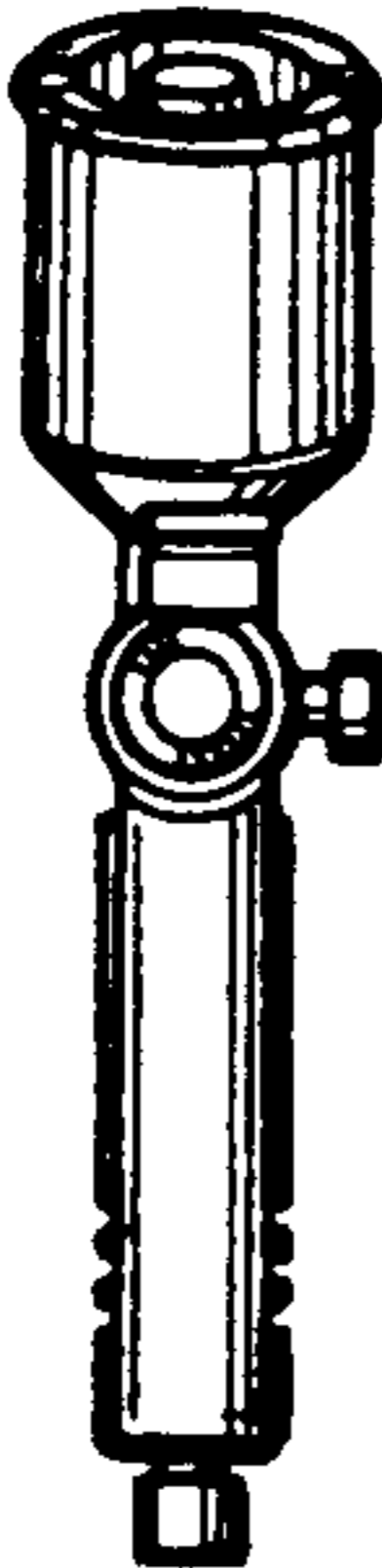


Fig. 12

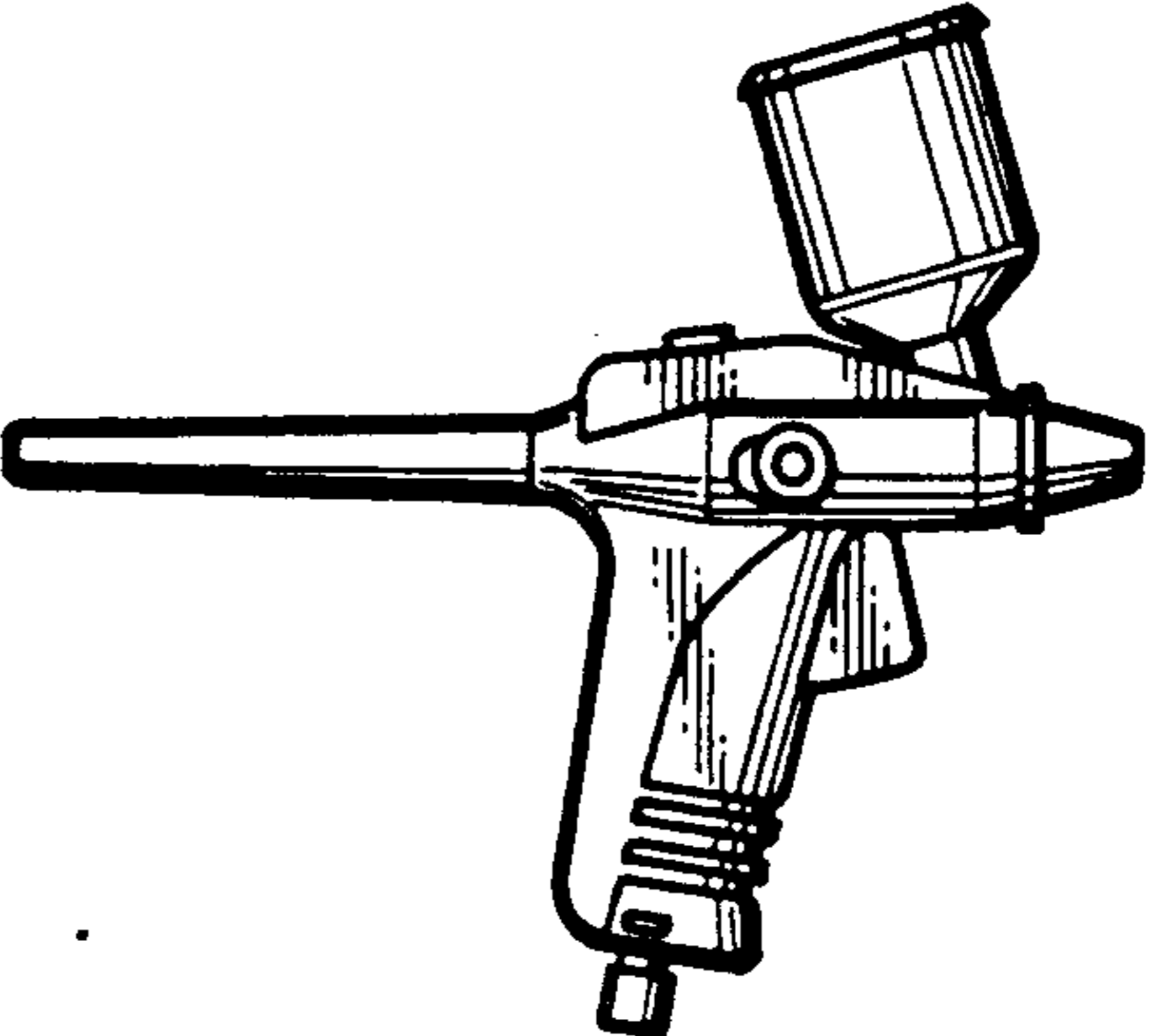


Fig. 13

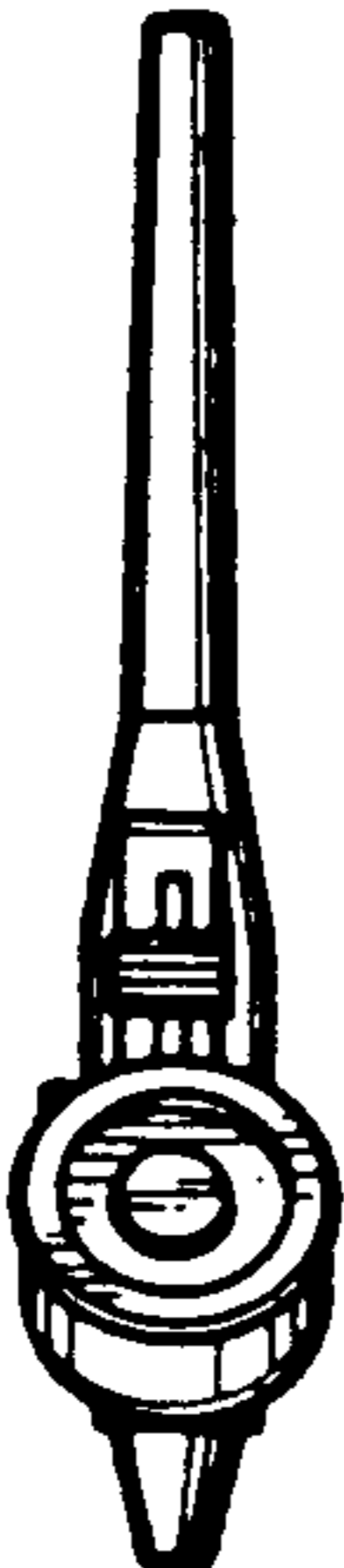


Fig. 14

