

[54] **SPRINKLER PROTECTOR**

[76] Inventor: **Robert Rosenfeld**, 10434 SW. 50th Pl., Cooper City, Fla. 33328
[**] Term: **14 Years**
[21] Appl. No.: **235,483**
[22] Filed: **Aug. 22, 1988**
[52] U.S. Cl. **D23/214**
[58] Field of Search **D23/213-221;**
239/200-206, 211, 230-233, 273, 275, 276, 505,
518-524, 556-557, 222.11, 0.13, 0.15, 0.17, 0.19,
0.21, 223, 288, 288.3, 288.5, 390-392, 443-444,
456, 468, 558, DIG. 1

[56] **References Cited**
U.S. PATENT DOCUMENTS

| | | | | |
|------------|--------|----------|-------|---------|
| D. 245,915 | 9/1977 | Pearson | | D23/214 |
| 3,018,057 | 1/1962 | Anderson | | 239/201 |
| 3,715,077 | 2/1973 | Grenier | | 239/200 |

OTHER PUBLICATIONS

Sherman Lawn Hose Goods for '59 Item Sprinkler, "The Fountain," No. 5041, p. 7.

Primary Examiner—Susan J. Lucas
Assistant Examiner—M. H. Tung
Attorney, Agent, or Firm—Malin, Haley, McHale, DiMaggio & Crosby

[57] **CLAIM**

The ornamental design for a sprinkler protector, as shown and described.

DESCRIPTION

FIG. 1 is a top plan view of a sprinkler protector showing my new design;
FIG. 2 is a side elevational view thereof, all sides being identical;
FIG. 3 is a bottom plan view thereof;
FIG. 4 is a cross sectional view thereof; and
FIG. 5 is a top front perspective view thereof.

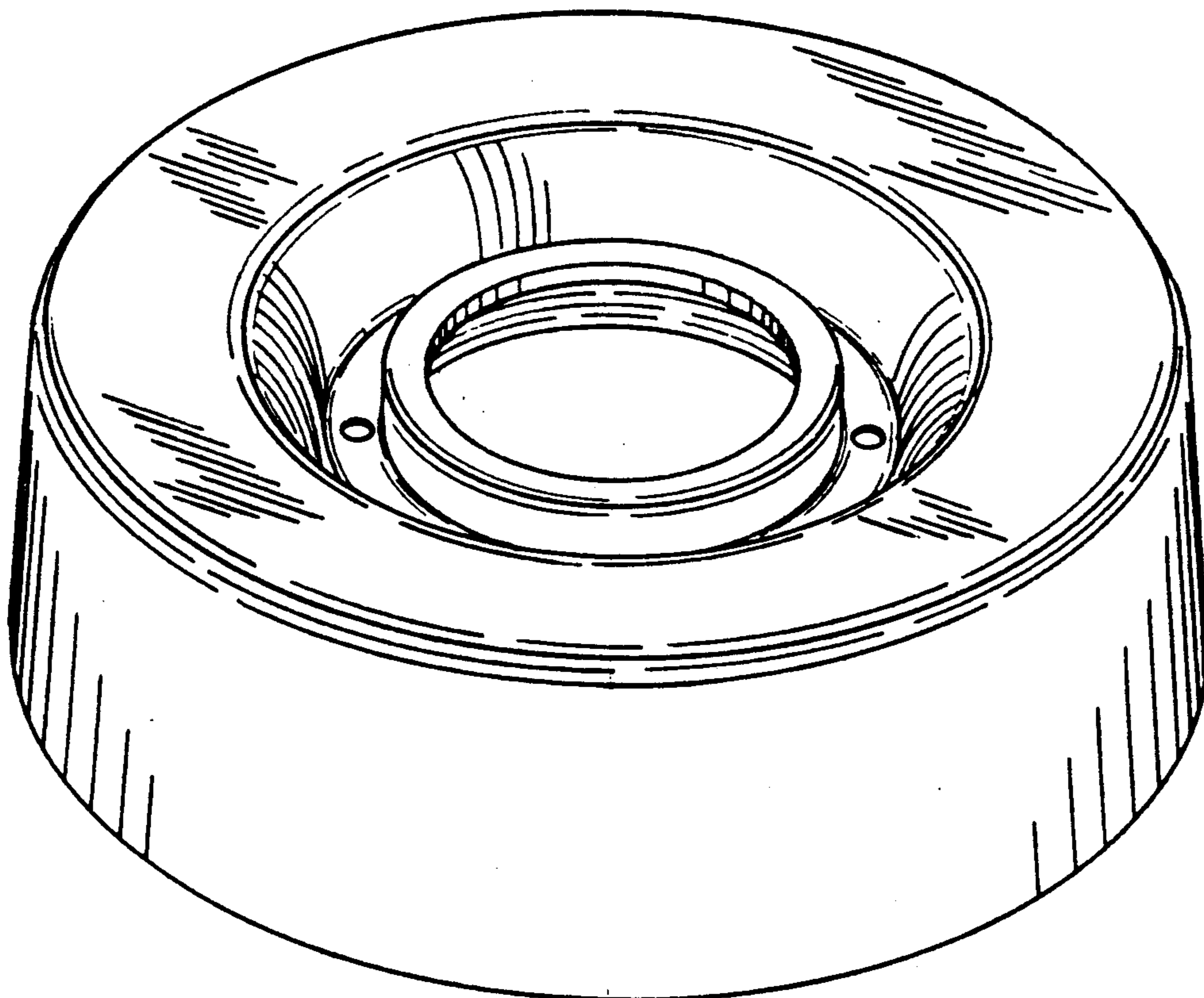


FIG. 1

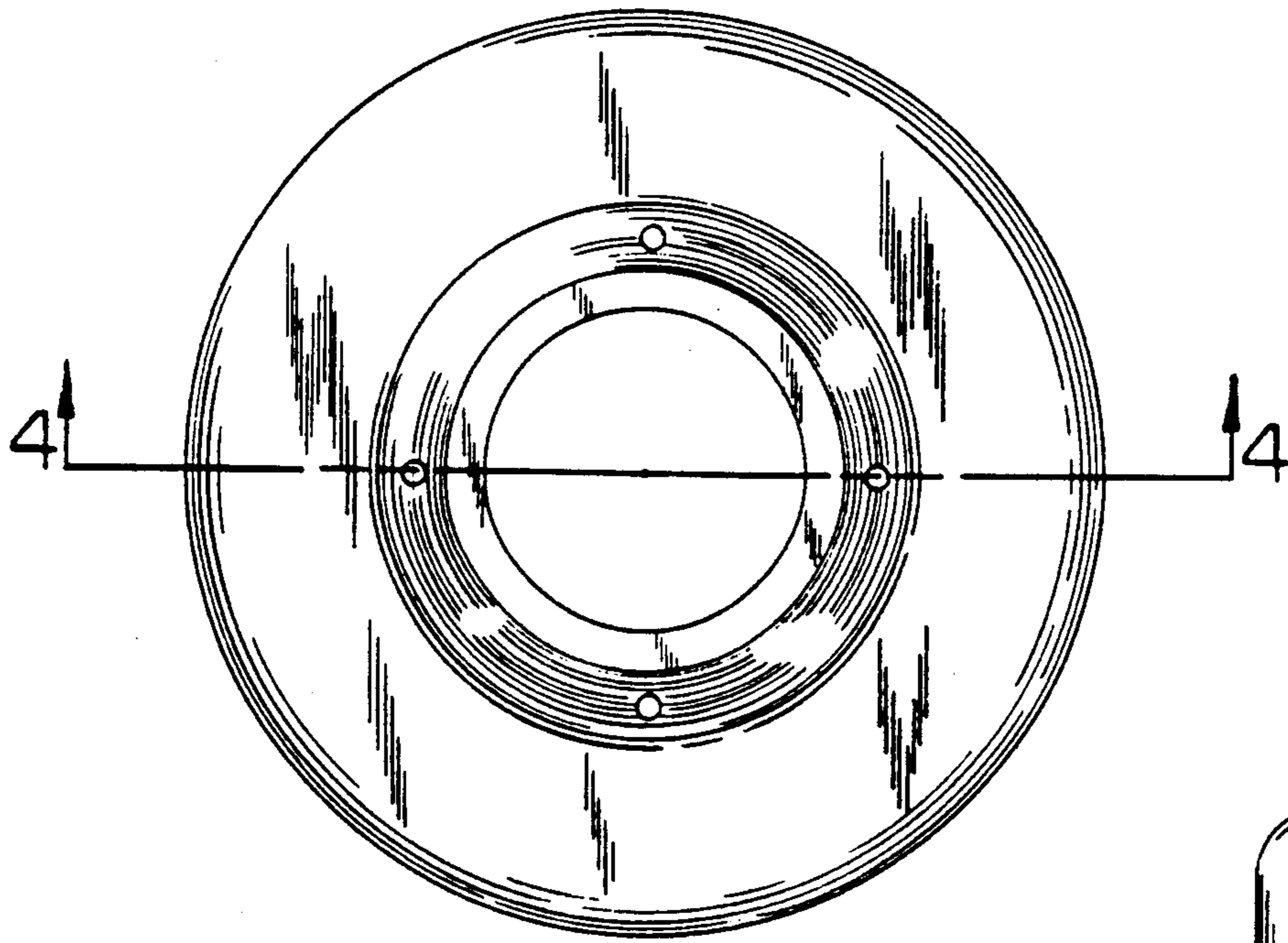


FIG. 2

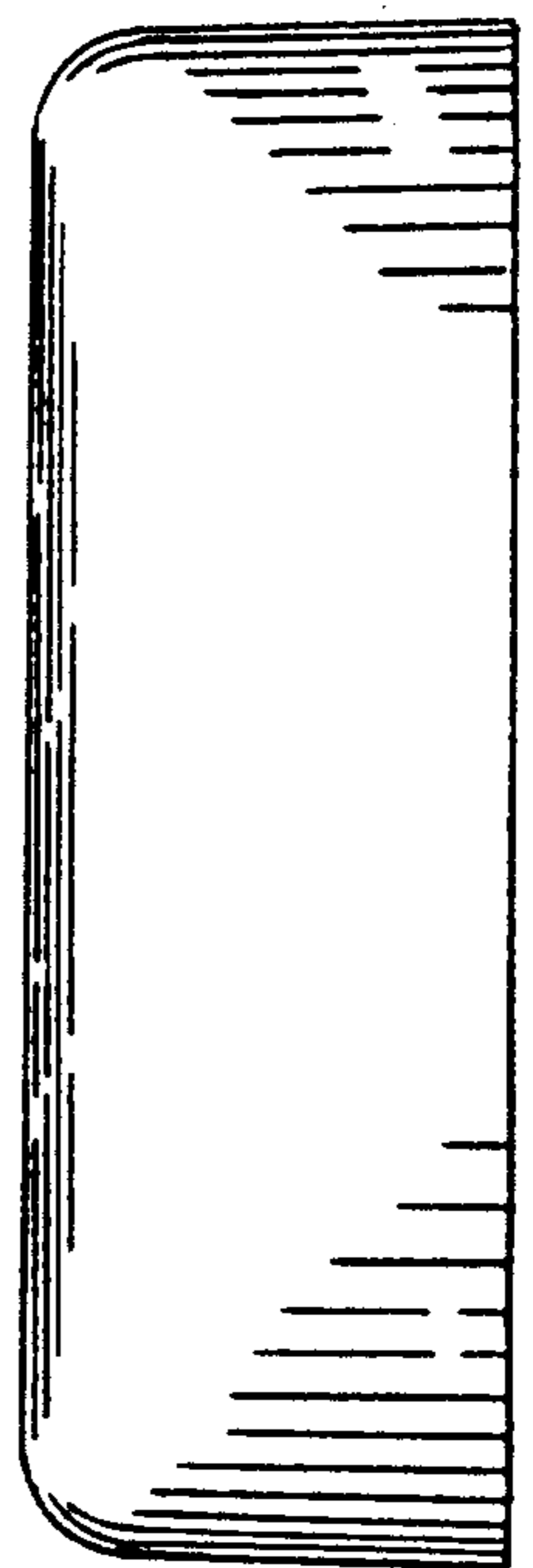


FIG. 3

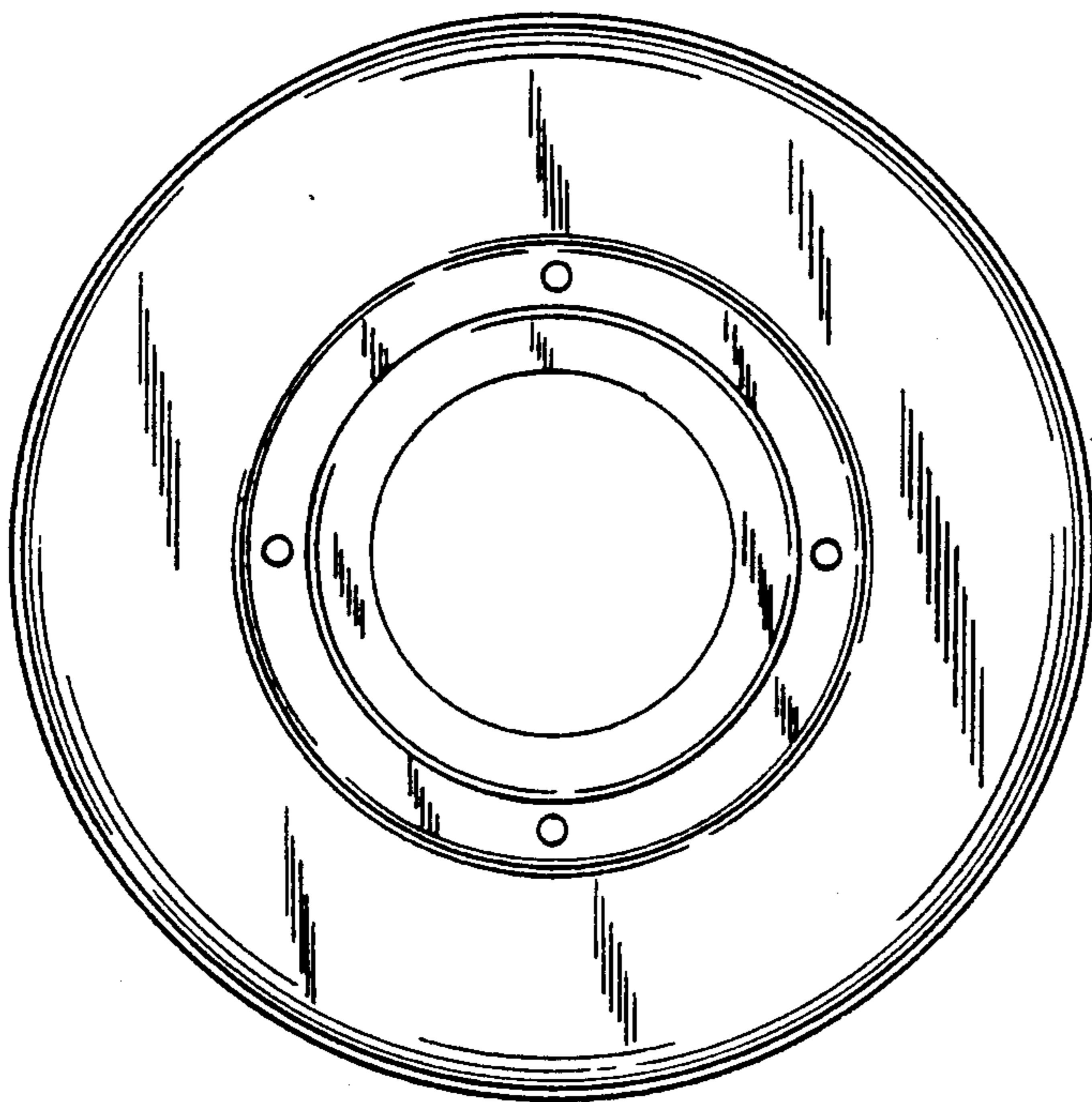


FIG. 4

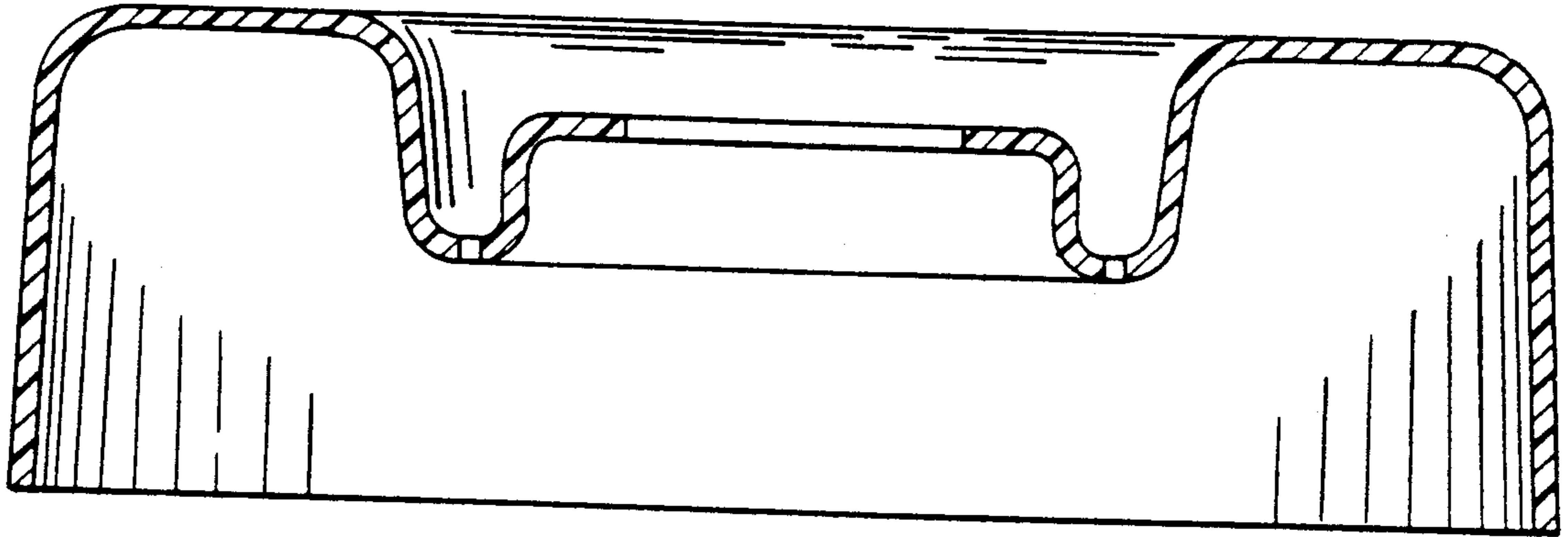


FIG. 5

