

[54] COMBINED ROLLER SKATE FOOTPLATE AND FASTENING THEREFOR

[76] Inventor: Joel K. Wendt, 635 Hudson Ave., Davis Island, Tampa, Fla. 33606

[**] Term: 14 Years

[21] Appl. No.: 165,198

[22] Filed: Mar. 7, 1988

[52] U.S. Cl. D21/226

[58] Field of Search D2/290; D21/226, 227; 280/11.2, 11.19, 11.18, 11.22, 11.27, 11.28; 35/11.5, 50

[56] References Cited

U.S. PATENT DOCUMENTS

- D. 100,767 8/1936 Gerton D2/290
- D. 161,557 1/1951 Walker et al. D21/226
- D. 231,999 7/1974 Engman D21/226
- D. 302,838 8/1989 Wendt D21/226

Primary Examiner—Charles A. Rademaker
Attorney, Agent, or Firm—Lothrop & West

[57] CLAIM

The ornamental design for a combined roller skate footplate and fastening thereof, as shown and described.

DESCRIPTION

FIG. 1 is a front perspective view of a combined roller skate footplate and fastening thereof showing my new design;

FIG. 2 is a front perspective view of a modified embodiment of the design shown in FIG. 1;

FIG. 3 is a right side elevational view of the design shown in FIG. 1;

FIG. 4 is a left side elevational view thereof;

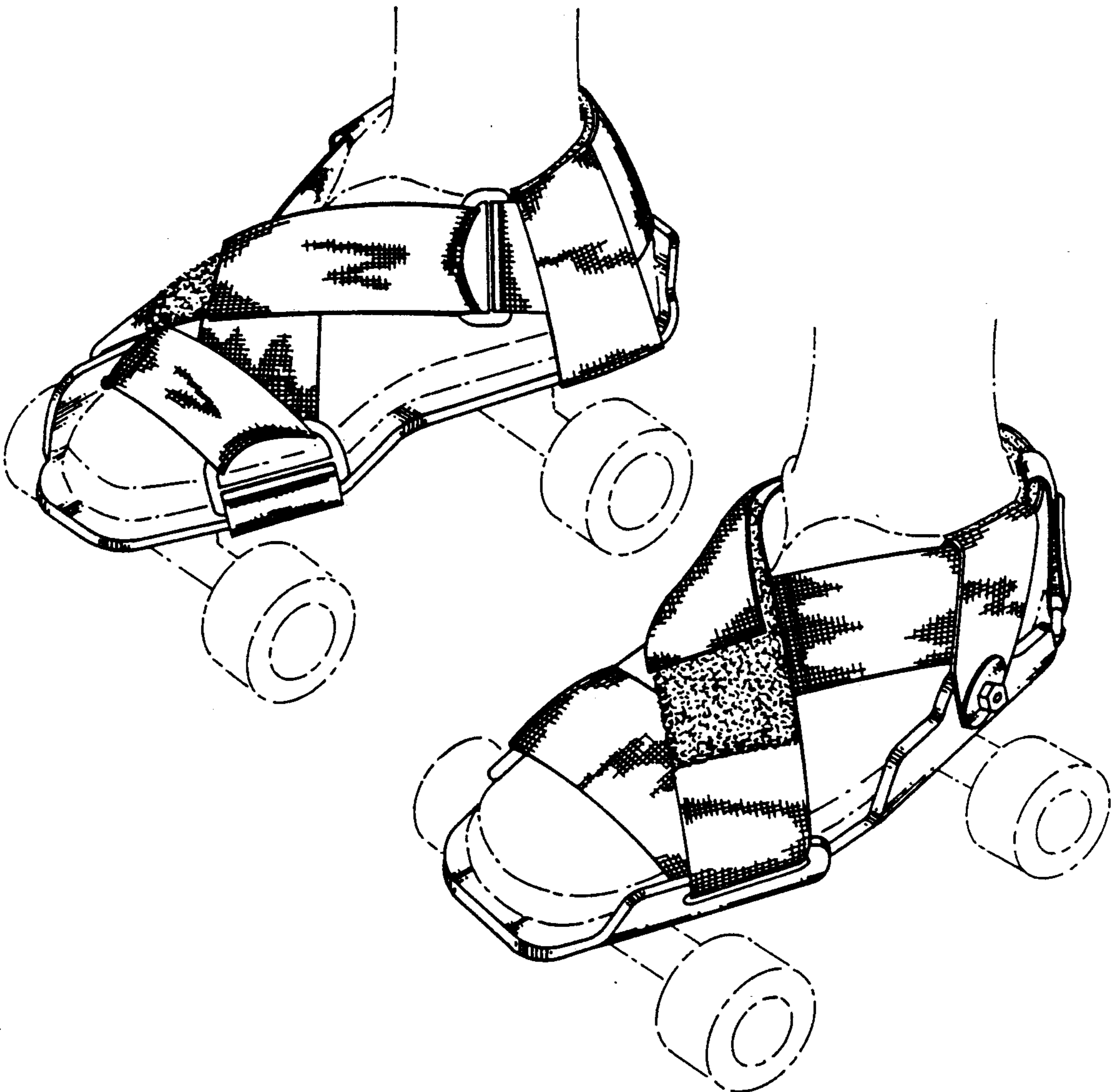
FIG. 5 is a front elevational view thereof;

FIG. 6 is a rear elevational view thereof;

FIG. 7 is a top plan view thereof showing the design in an extended position; and,

FIG. 8 is a bottom plan view thereof.

The broken line showing of a human foot in FIG. 1 through 8 is for illustrative purposes only and forms no part of the claimed design.



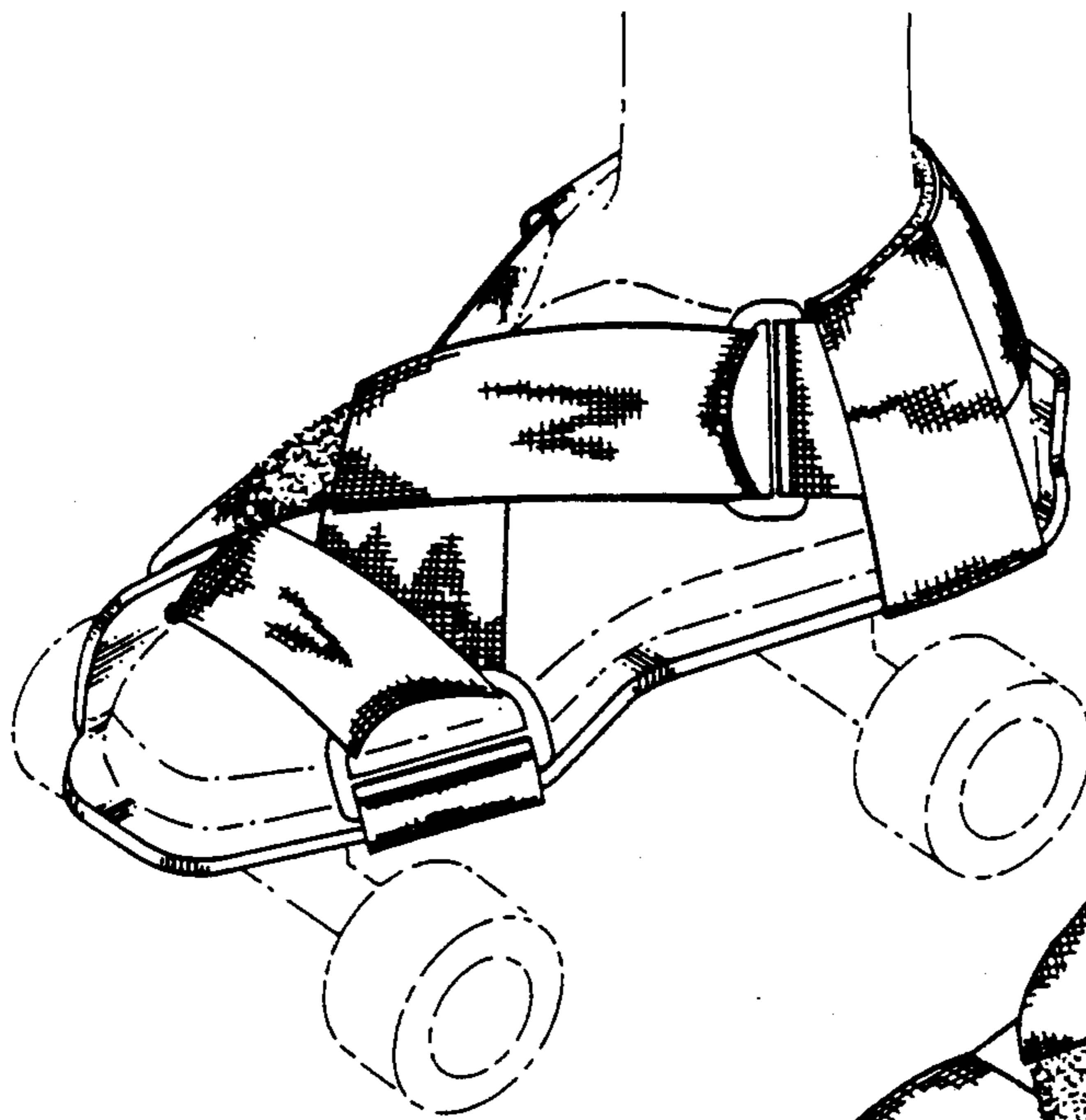


FIG. 1.

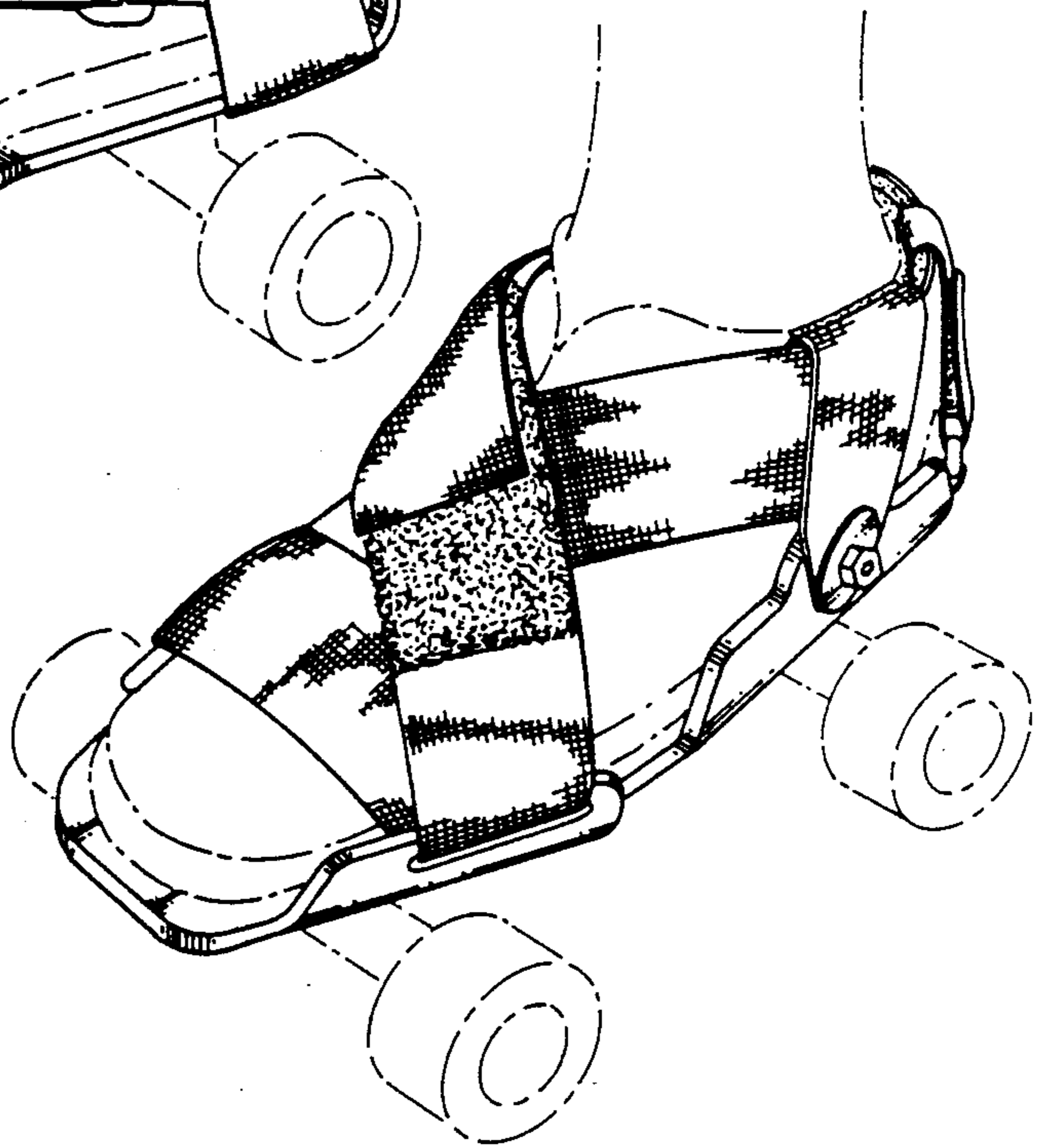


FIG. 2.

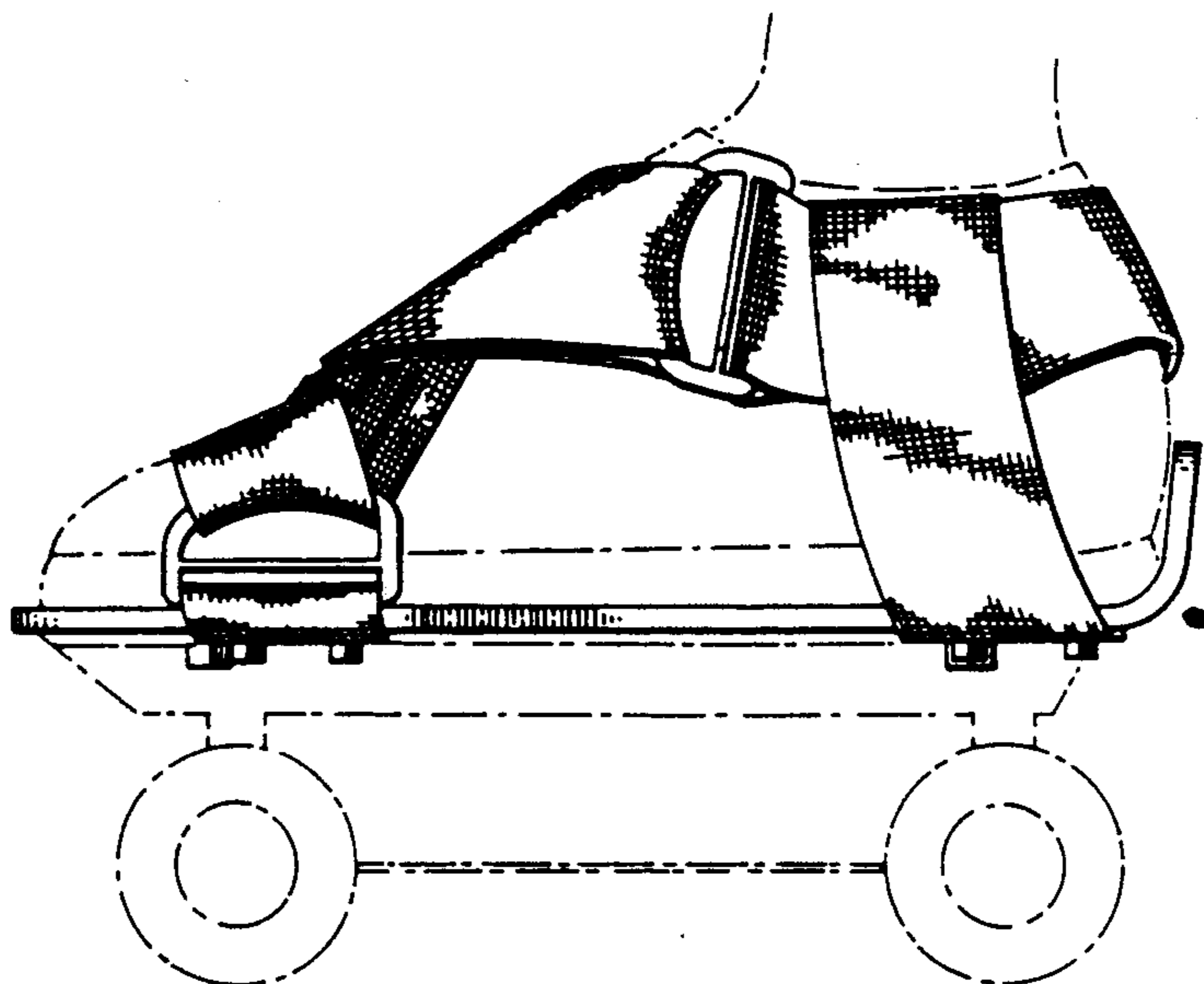


FIG. 3.

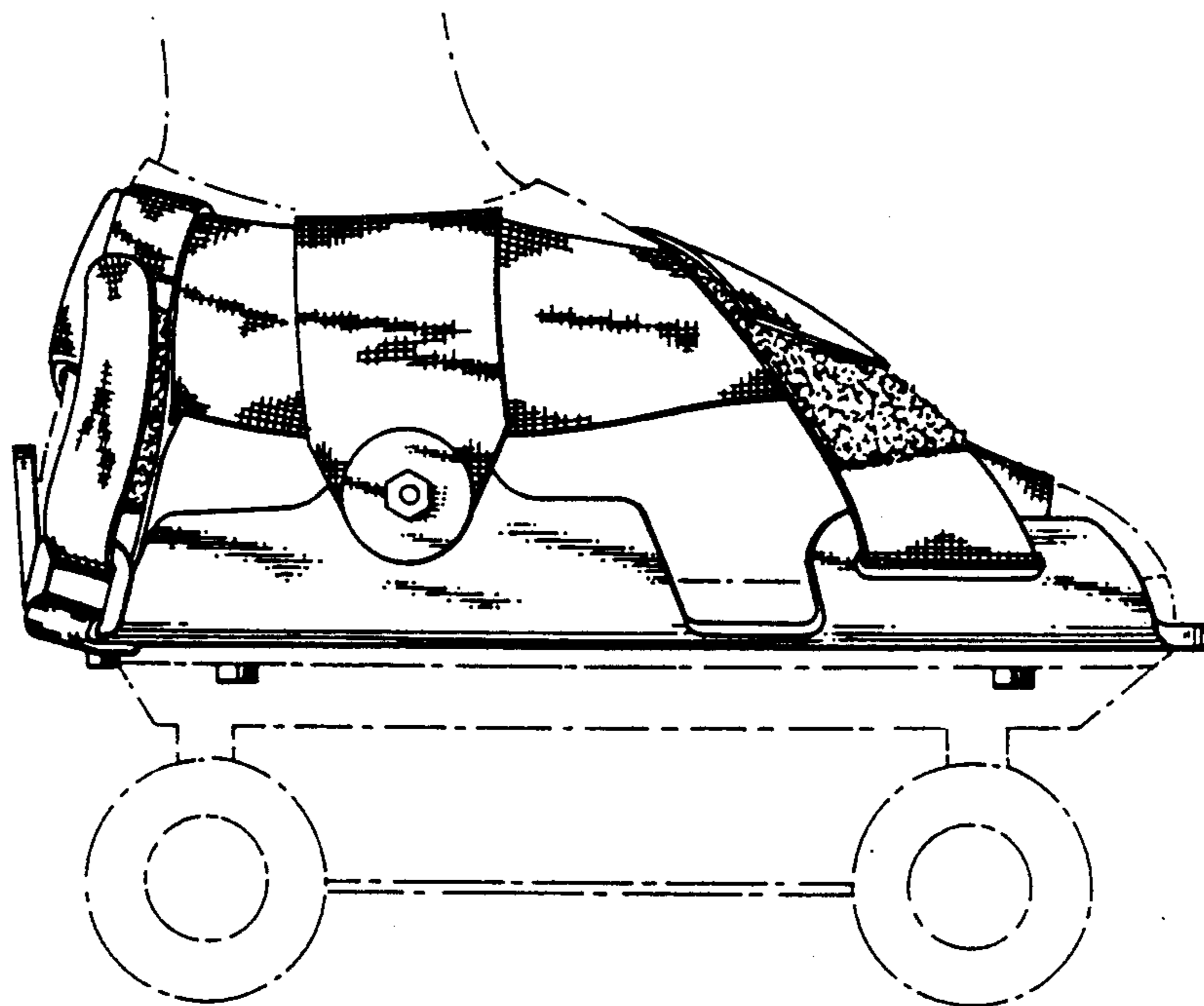


FIG. 4.

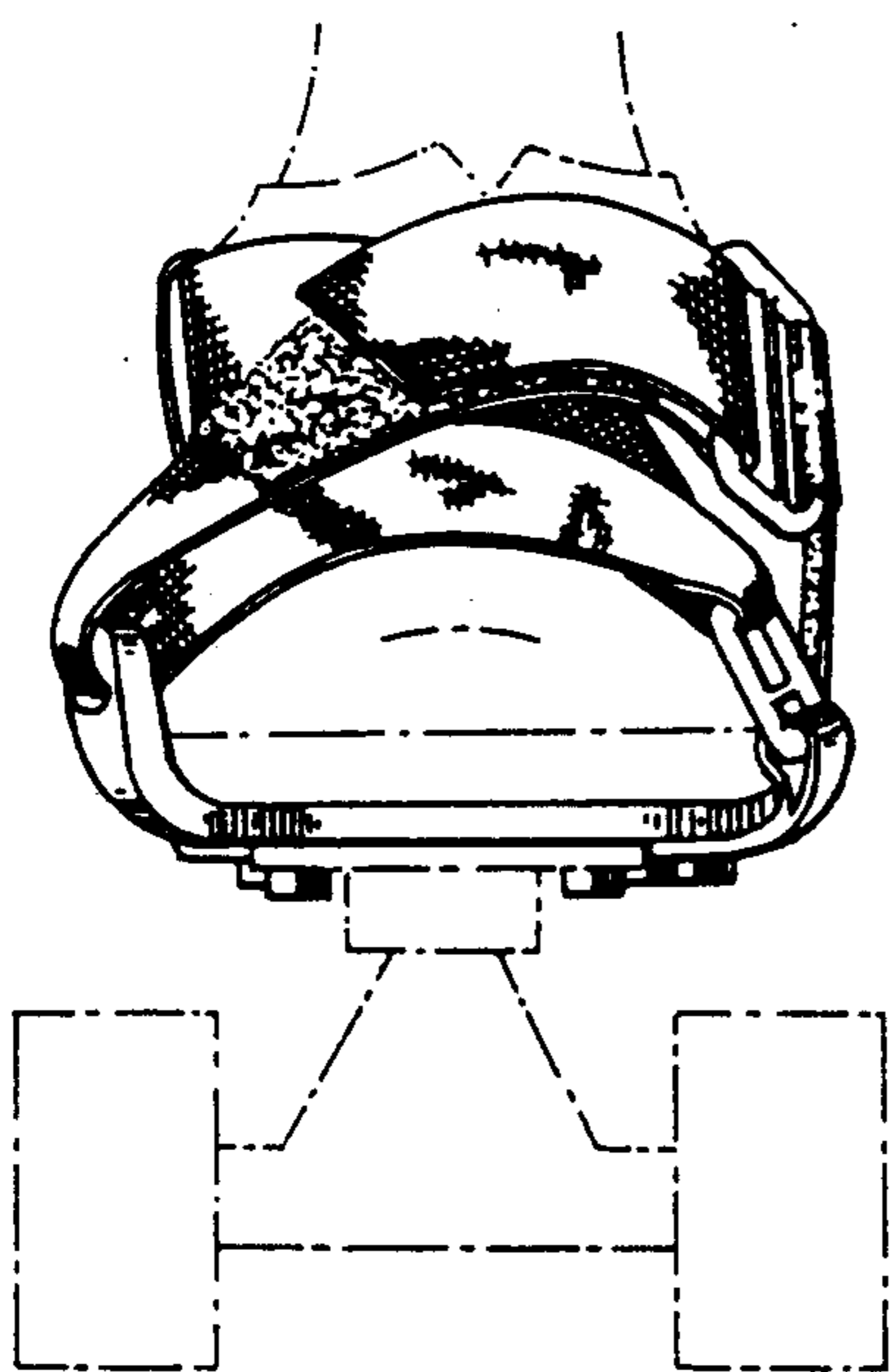


FIG. 5.

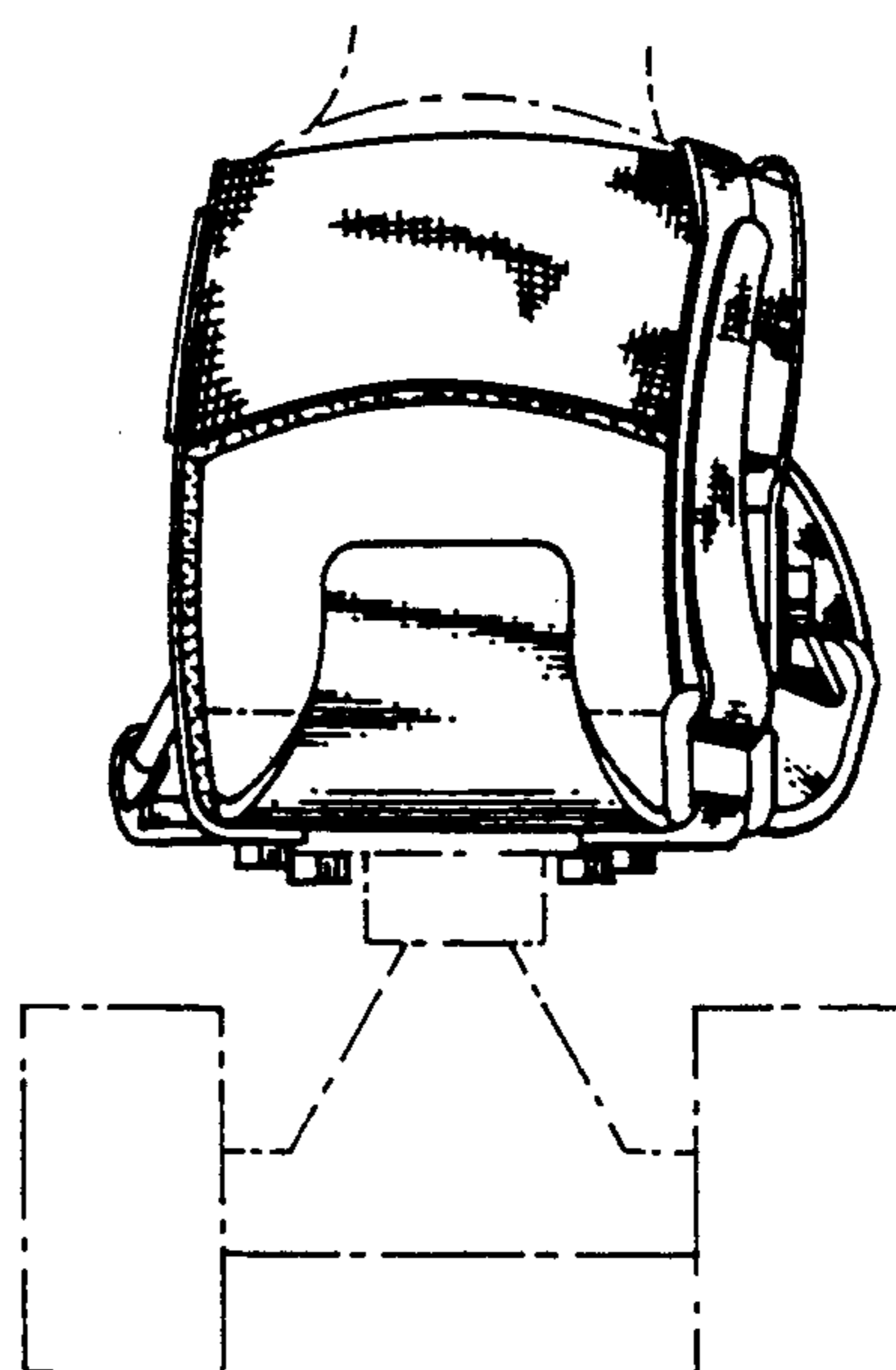


FIG. 6.

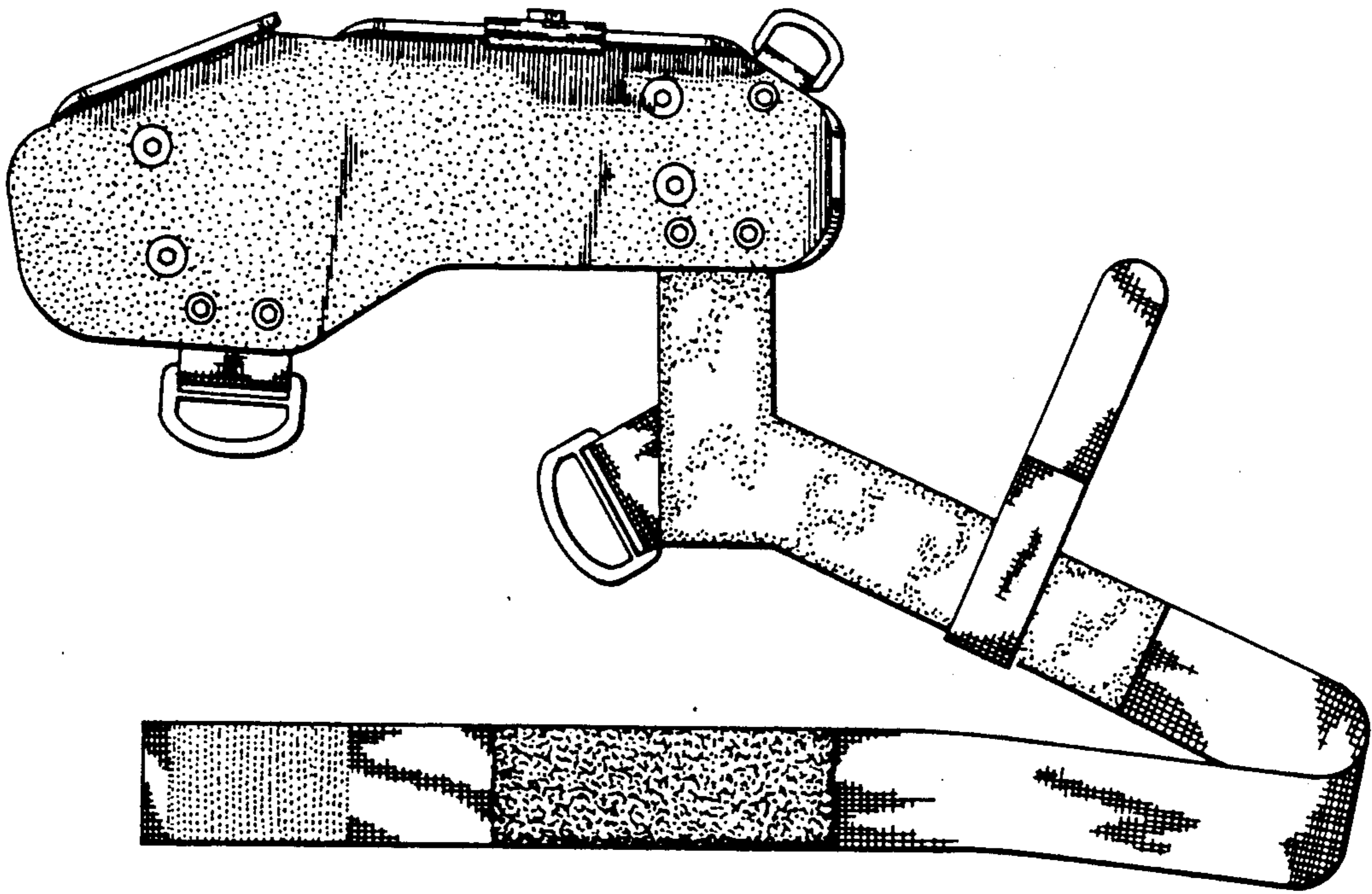


FIG. 7.

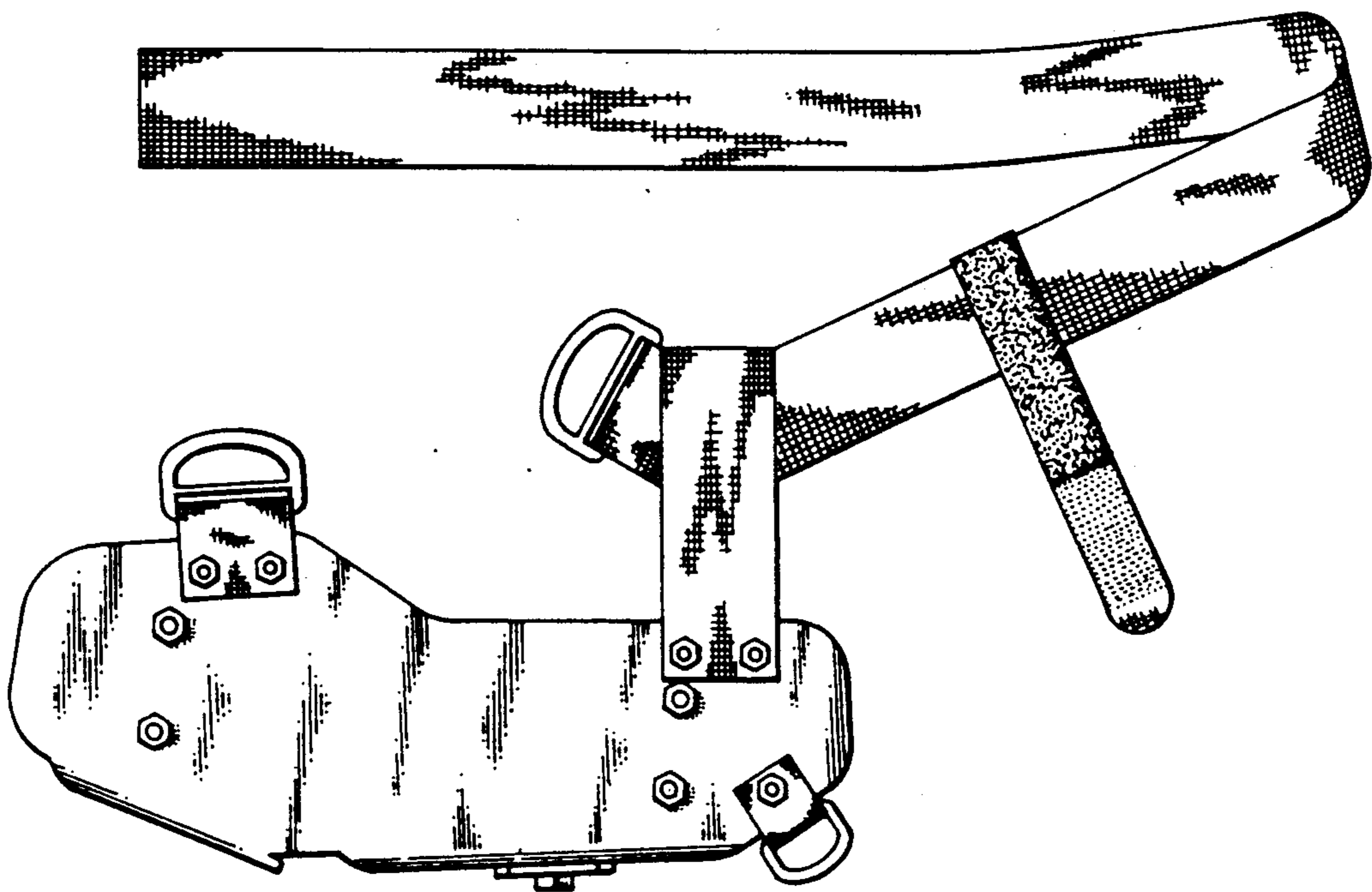


FIG. 8.