

[54] GOLF CLUB HEAD

[76] Inventor: Anthony J. Antonious, 205 E. Joppa Rd., Towson, Md. 21204

[**] Term: 14 Years

[21] Appl. No.: 89,259

[22] Filed: Aug. 25, 1987

[52] U.S. Cl. D21/217

[58] Field of Search D21/214-220;
273/163 R, 164, 167-175

[56] References Cited

U.S. PATENT DOCUMENTS

- D. 299,045 12/1988 Antonious D21/219
- D. 300,445 3/1989 Antonious D21/217

OTHER PUBLICATIONS

Golf Digest, Apr., 1986, p. 152, top, 3d col., 2d from top, Putter.

Primary Examiner—Melvin B. Feifer
Attorney, Agent, or Firm—N. J. Aquilino

[57] CLAIM

The ornamental design for a golf club head, as shown and described.

DESCRIPTION

FIG. 1 is a rear elevational view showing my new design for a golf club head;
 FIG. 2 is a top plan view thereof;
 FIG. 3 is a front elevational view thereof;
 FIG. 4 is a bottom view thereof;
 FIG. 5 is an end elevational view thereof;
 FIG. 6 is an end elevational view taken from the opposite side of FIG. 5;
 FIG. 7 is a sectional view taken along the lines 7—7 of FIG. 1.

The characteristic feature of my design resides in the triangular webbed hosel portion in combination with the particular club head shown.

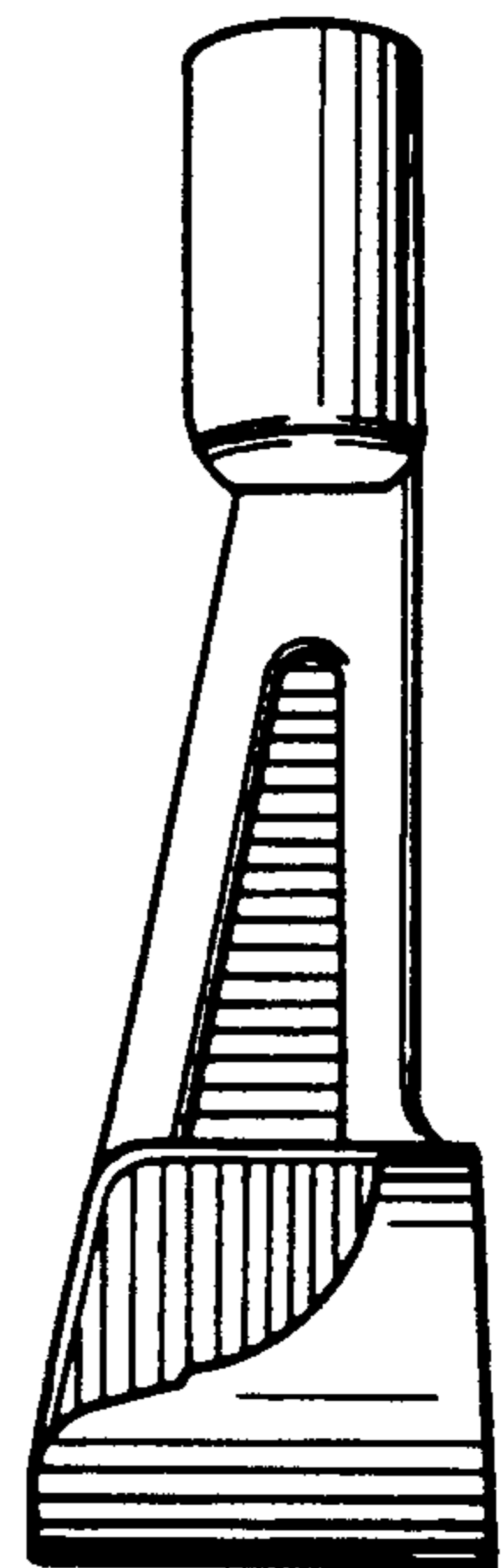
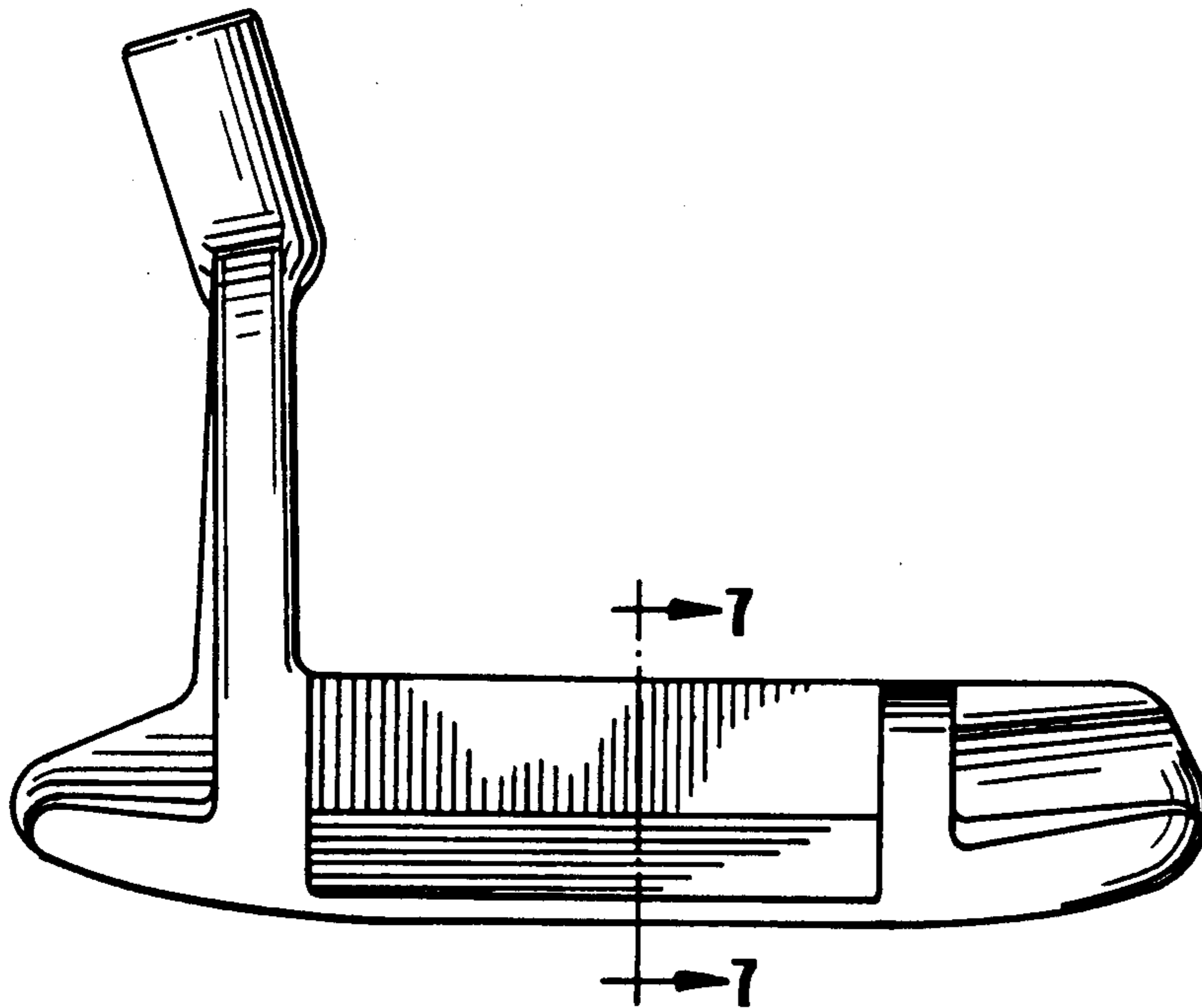


FIG. 1.

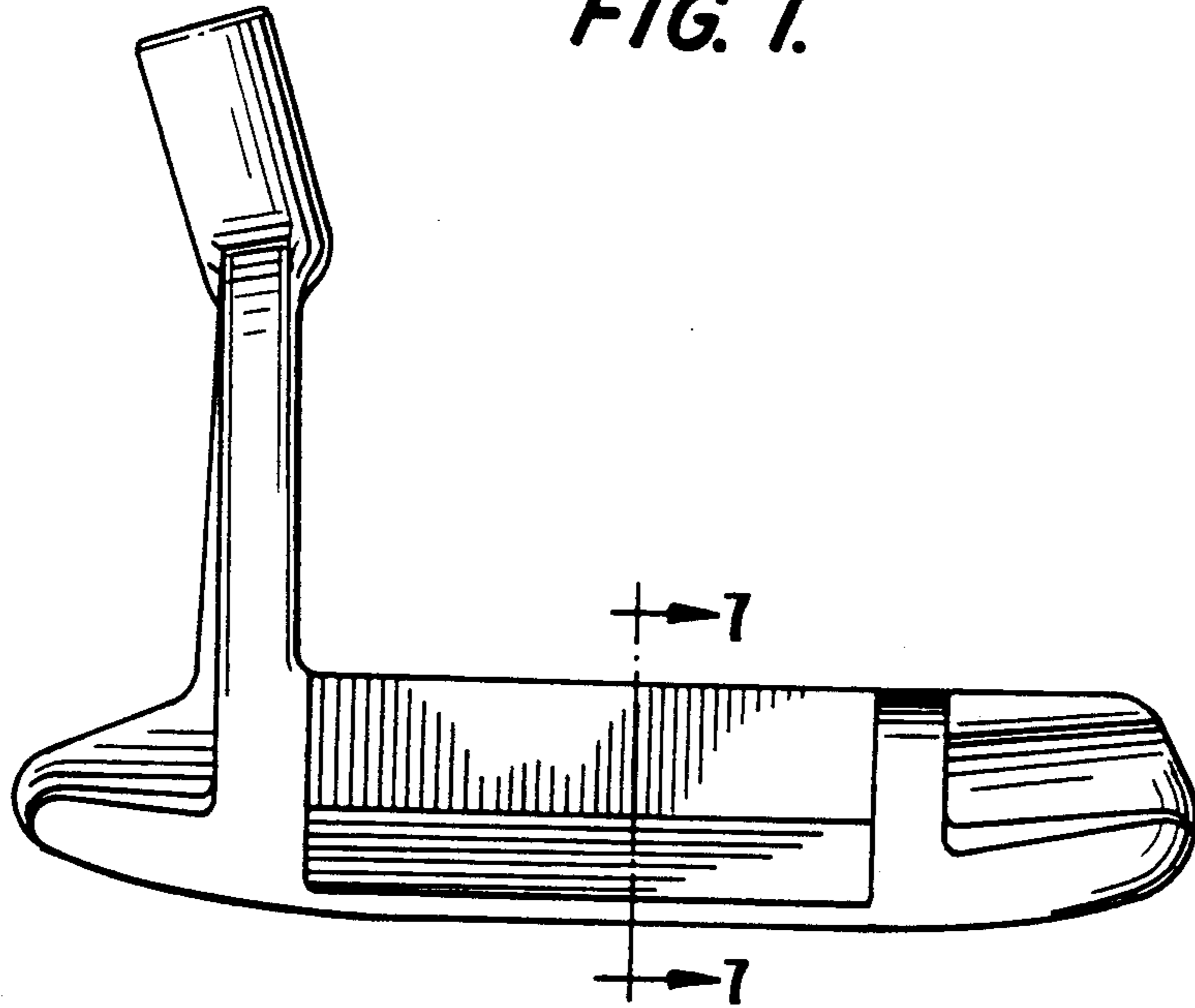


FIG. 2.

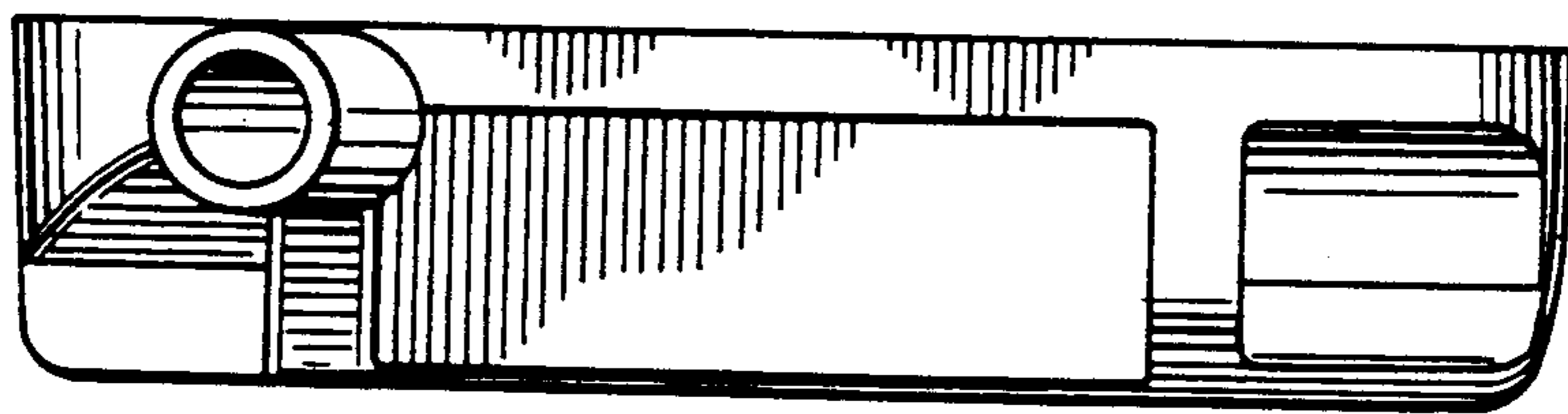


FIG. 3.

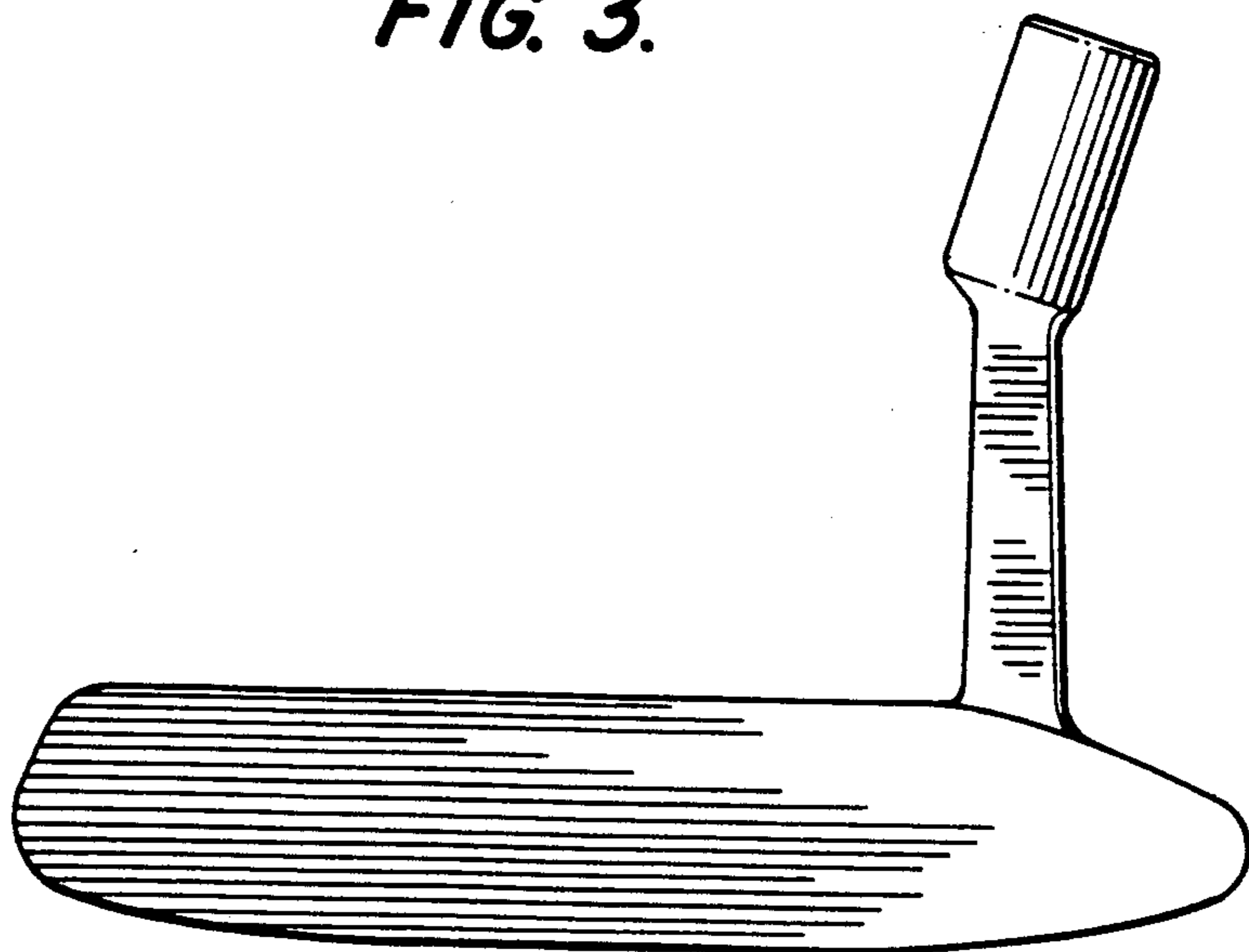


FIG. 4.

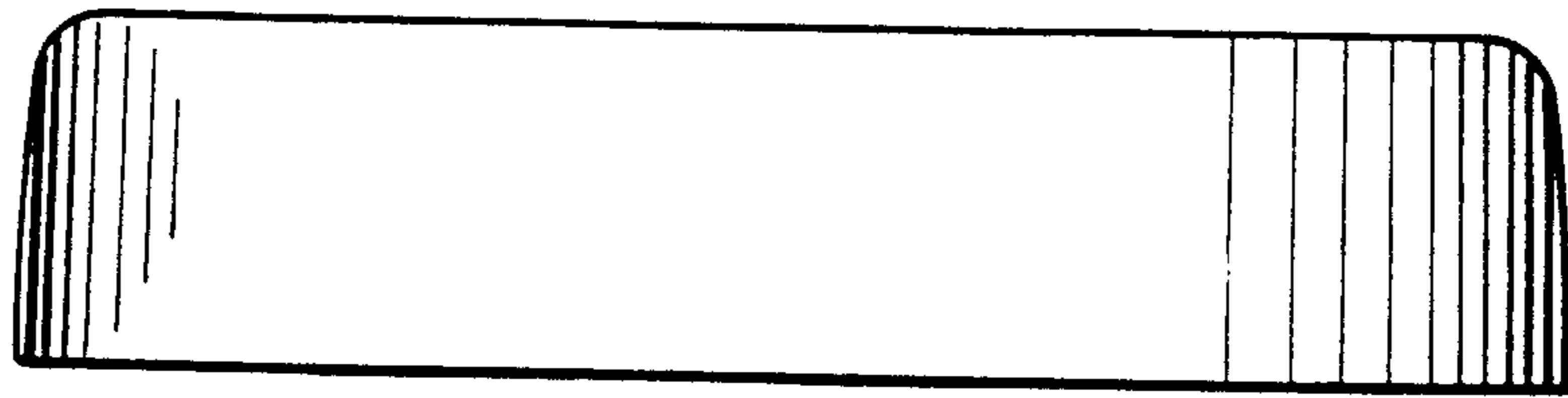


FIG. 5.

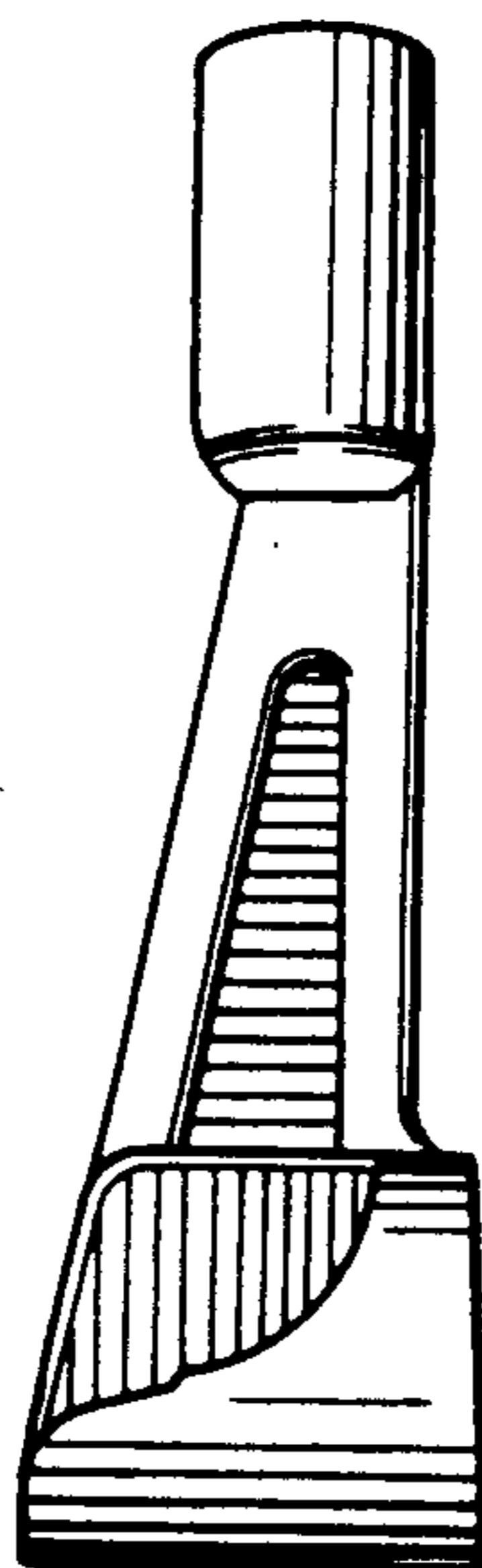


FIG. 6.

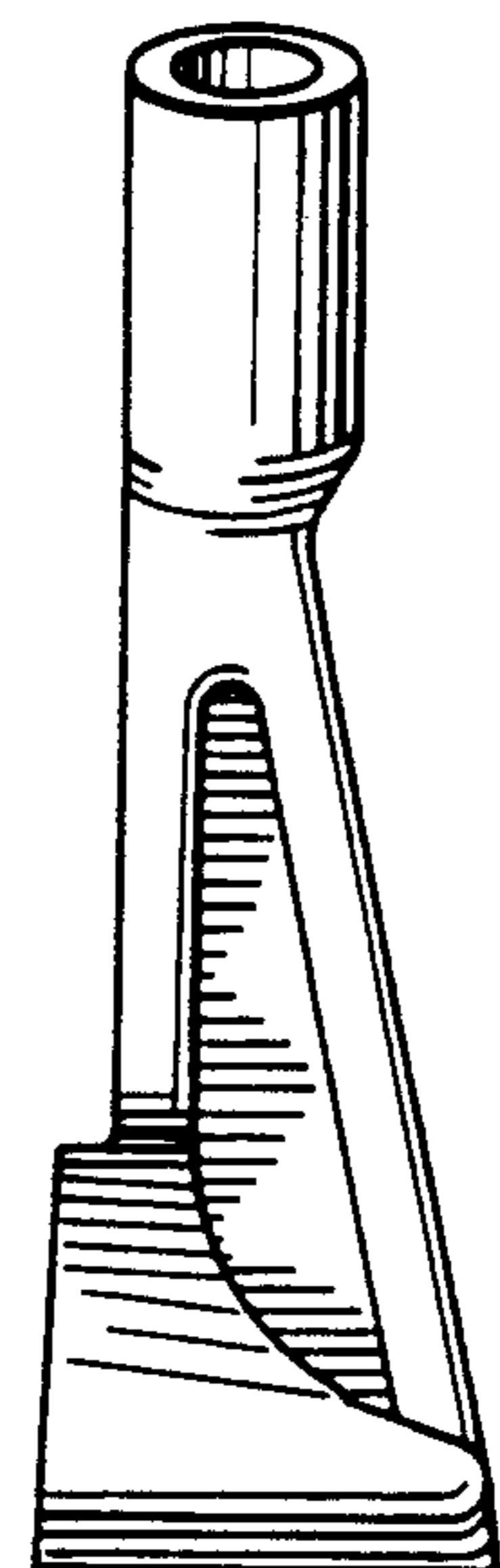


FIG. 7.

