

[54] TOY SAFE

[75] Inventor: Karl D. Lerch, East Aurora, N.Y.

[73] Assignee: The Quaker Oats Company, Chicago, Ill.

[\*\*] Term: 14 Years

[21] Appl. No.: 256,285

[22] Filed: Oct. 11, 1988

[52] U.S. Cl. .... D21/109; D99/28

[58] Field of Search ..... D21/59, 109, 122.7, D21/123; D99/28, 34, 35, 36; 446/491, 489, 479

[56] References Cited

U.S. PATENT DOCUMENTS

- D. 3,814 1/1870 McFarland ..... D99/28
- D. 103,629 3/1937 Davis ..... D99/28
- D. 273,052 3/1984 Snodgrass ..... D99/28

- D. 291,019 7/1987 Druihet ..... D99/28
- D. 308,279 5/1990 Hicc ..... D99/28

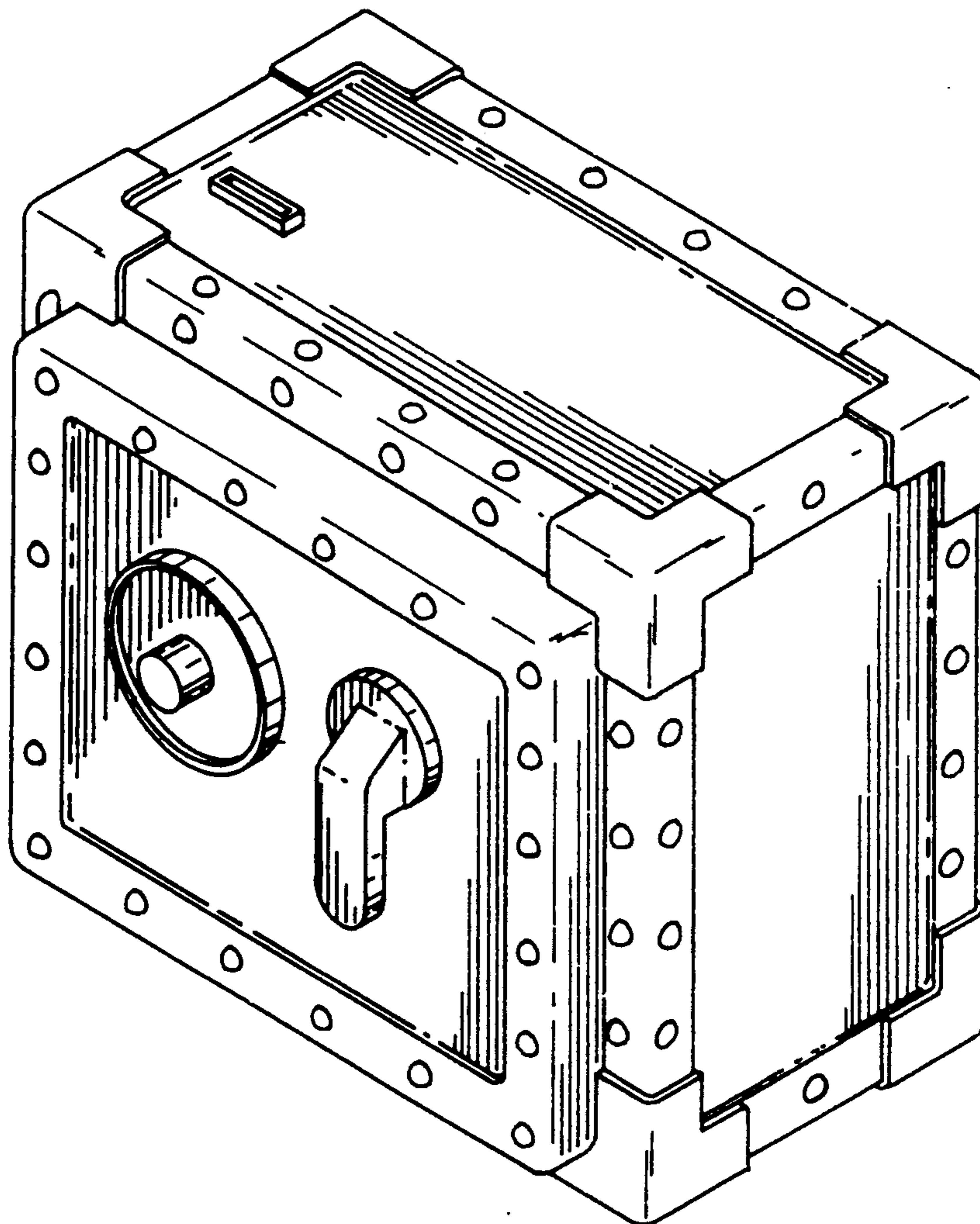
Primary Examiner—Charles A. Rademaker  
Attorney, Agent, or Firm—Cumpston & Shaw

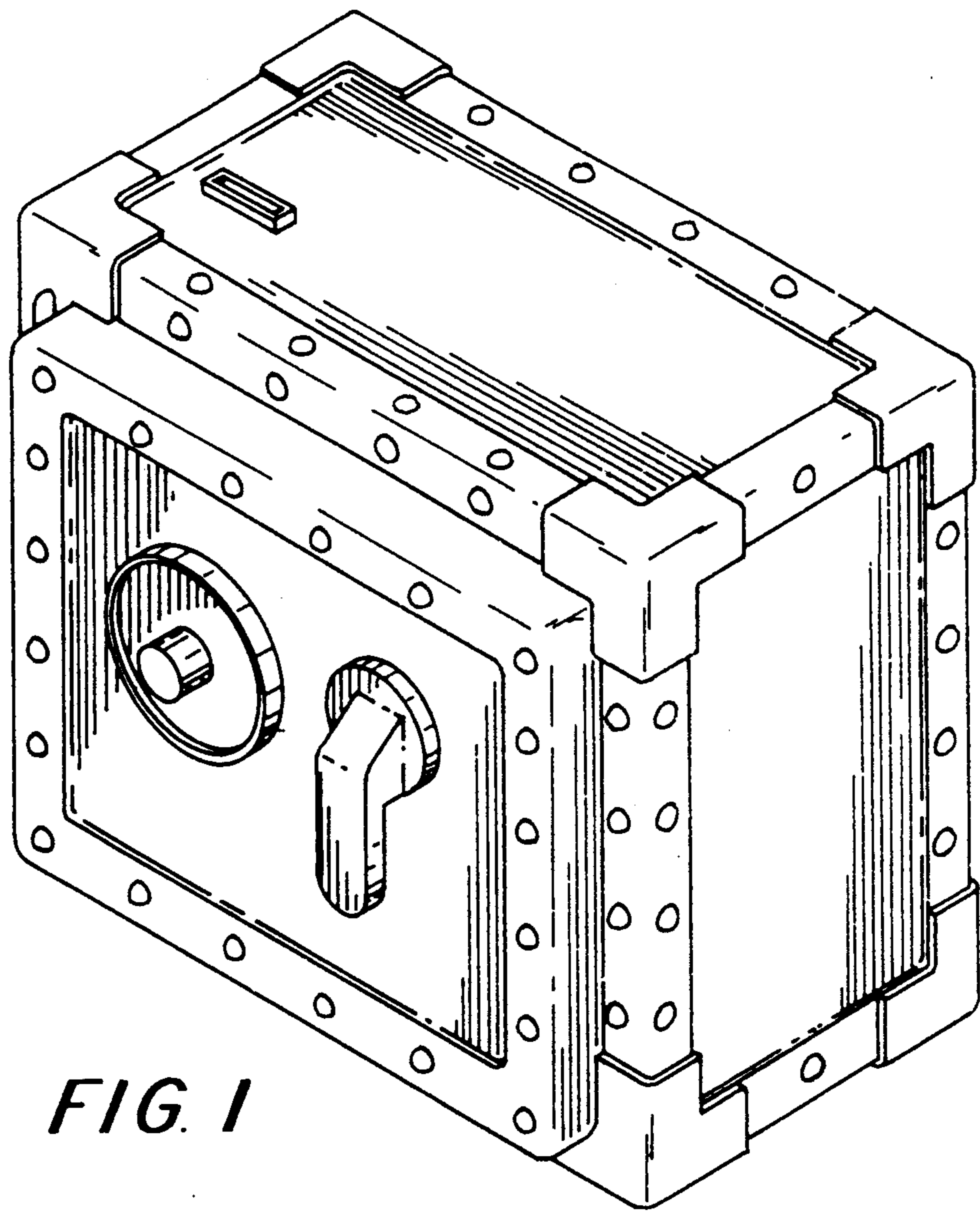
[57] CLAIM

The ornamental design for a toy safe, as shown and described.

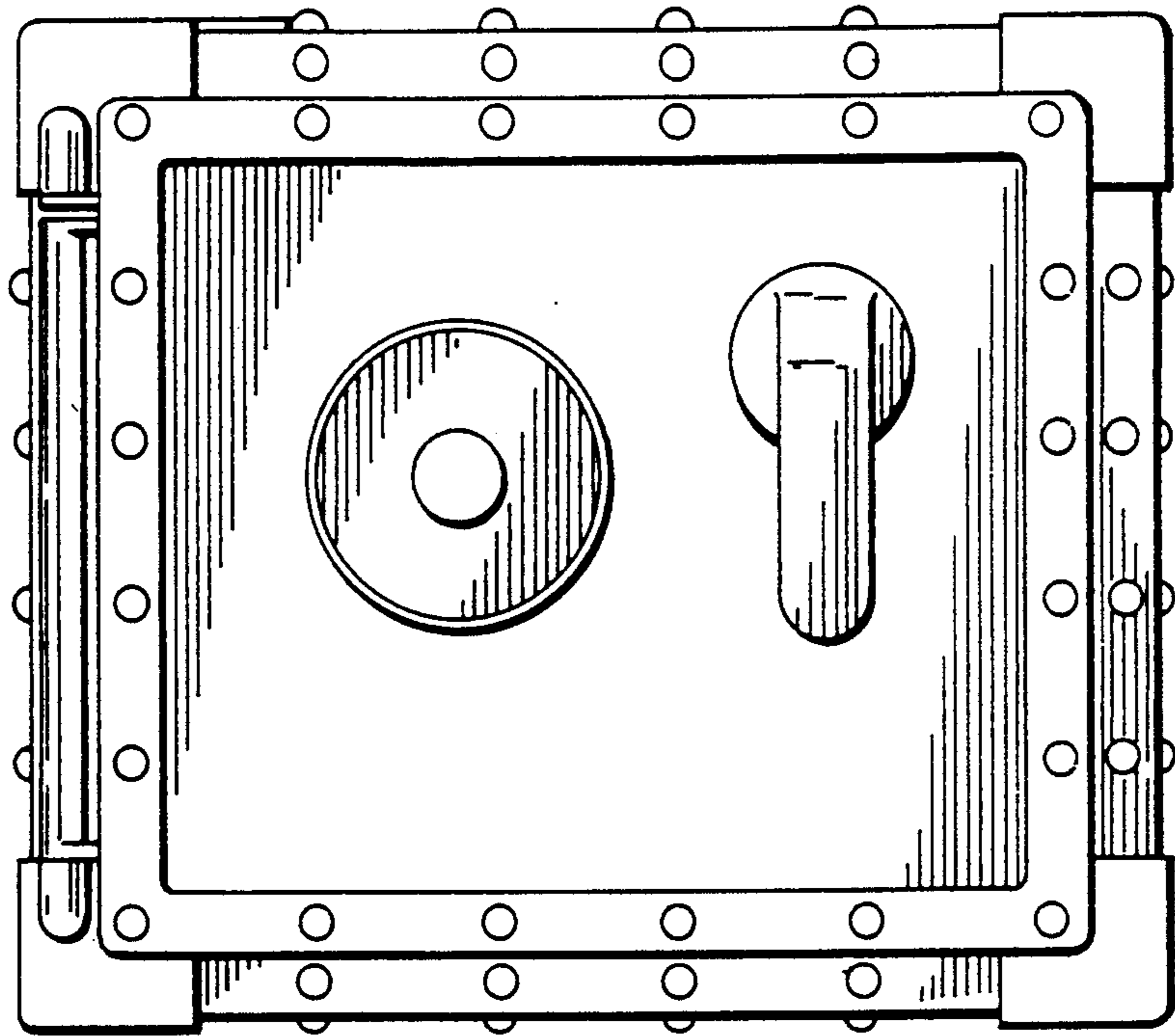
DESCRIPTION

FIG. 1 is a top right front perspective view of a toy safe showing my new design;  
 FIG. 2 is a front elevational view thereof;  
 FIG. 3 is a rear elevational view thereof.  
 FIG. 4 is a right side elevational view thereof;  
 FIG. 5 is a left side elevational view thereof;  
 FIG. 6 is a top plan view thereof;  
 FIG. 7 is a bottom plan view thereof; and  
 FIG. 8 is a perspective view with the front in open position.

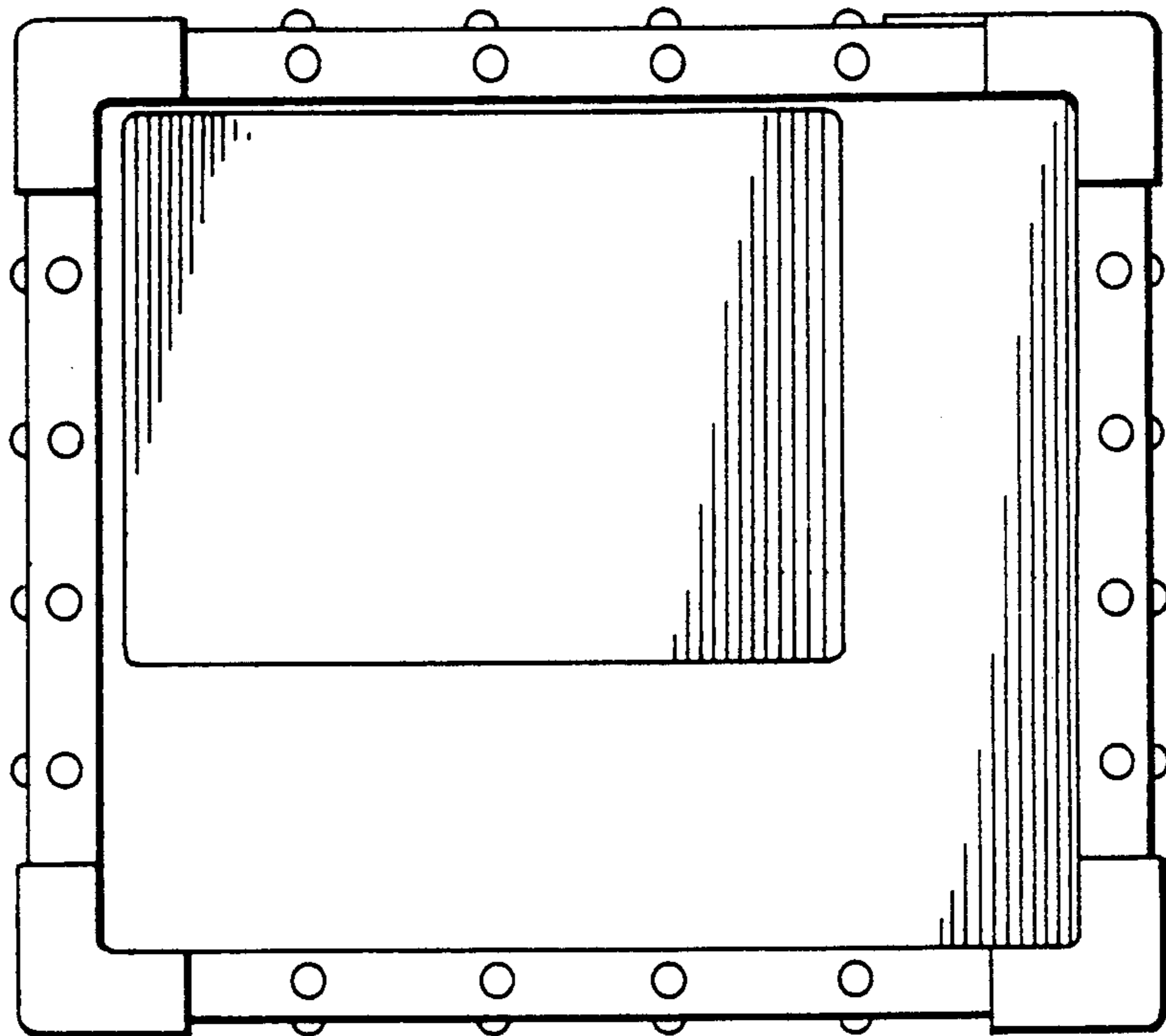




**FIG. 1**



*FIG. 2*



*FIG. 3*

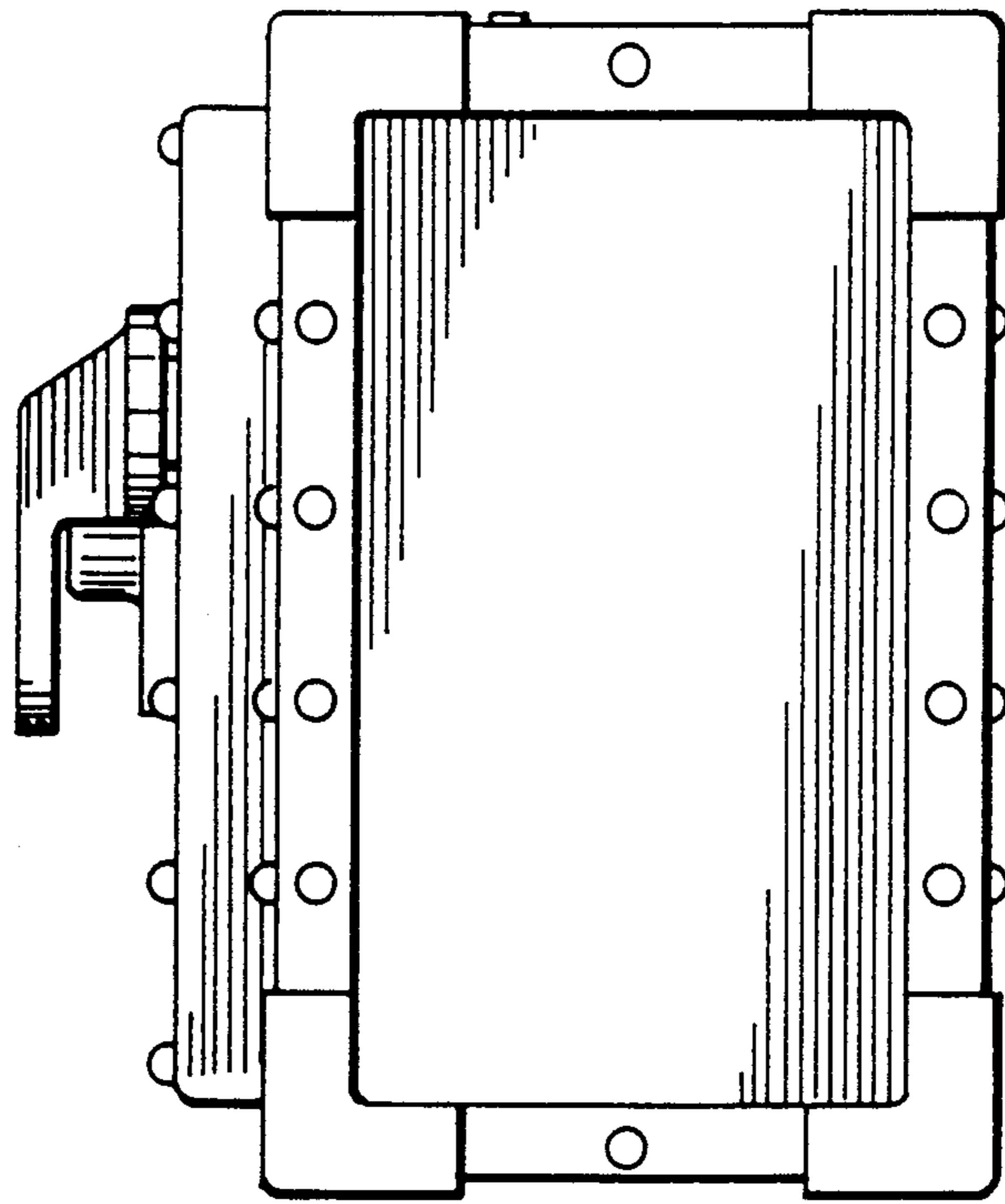


FIG. 4

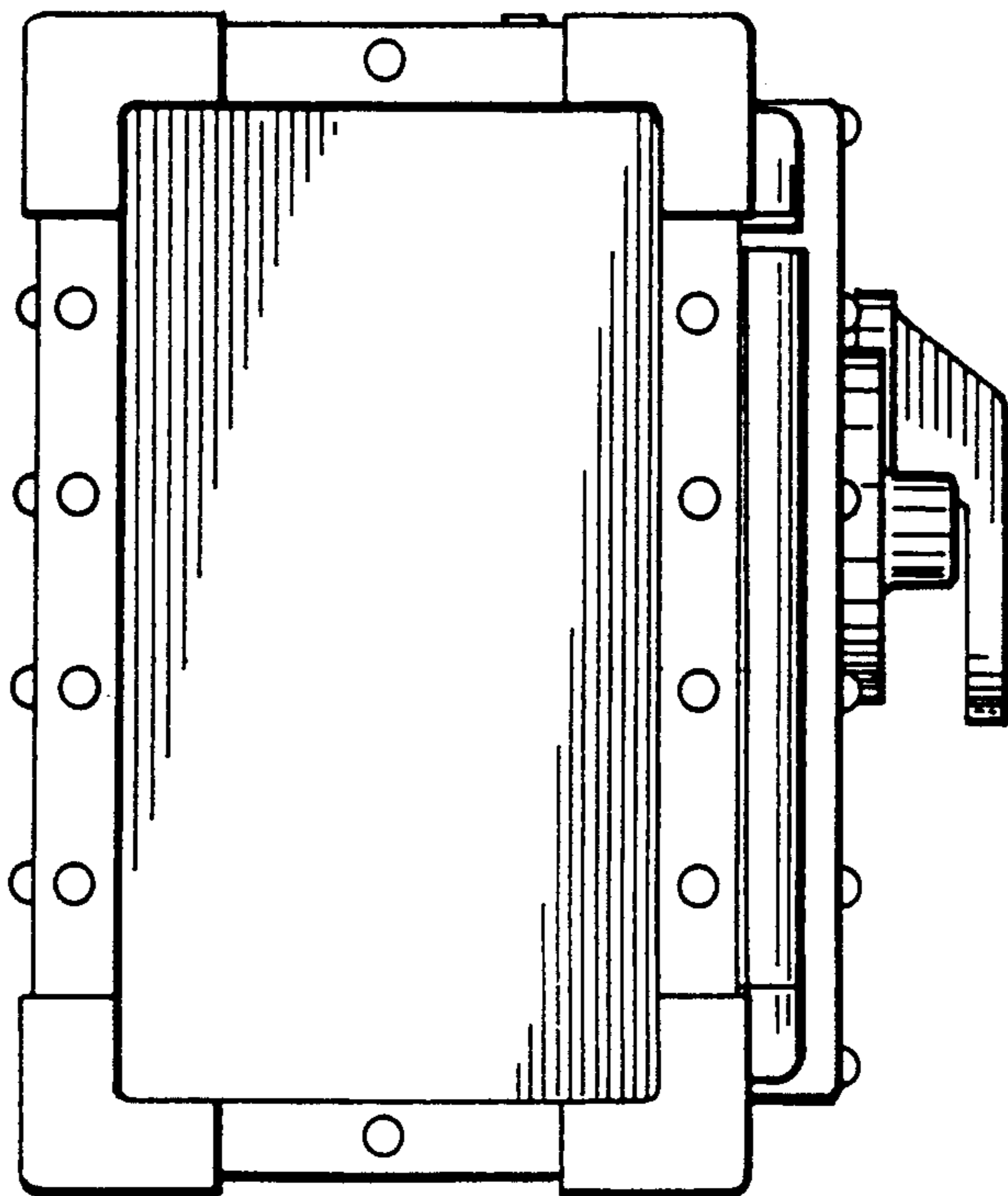


FIG. 5

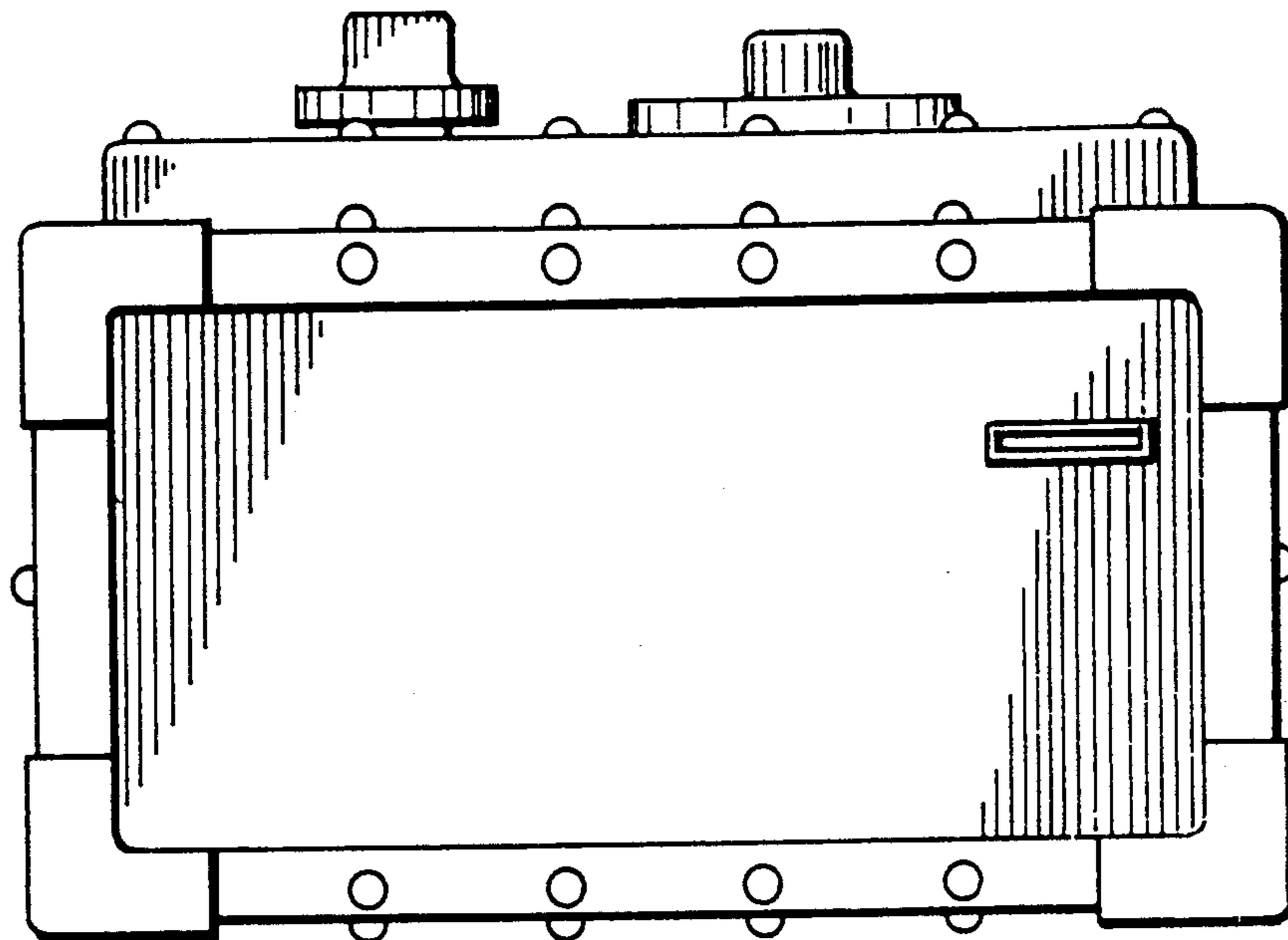


FIG. 6

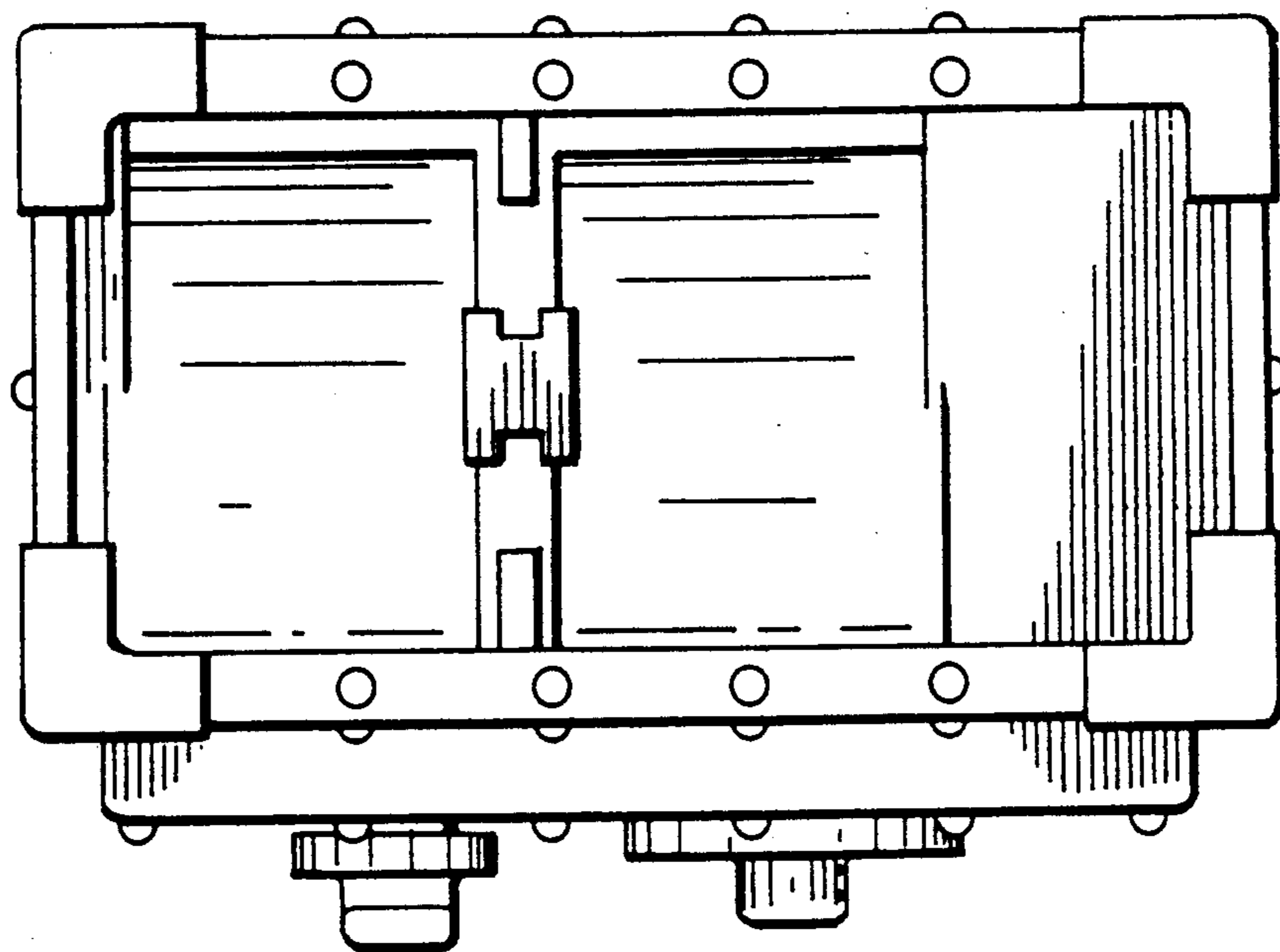


FIG. 7

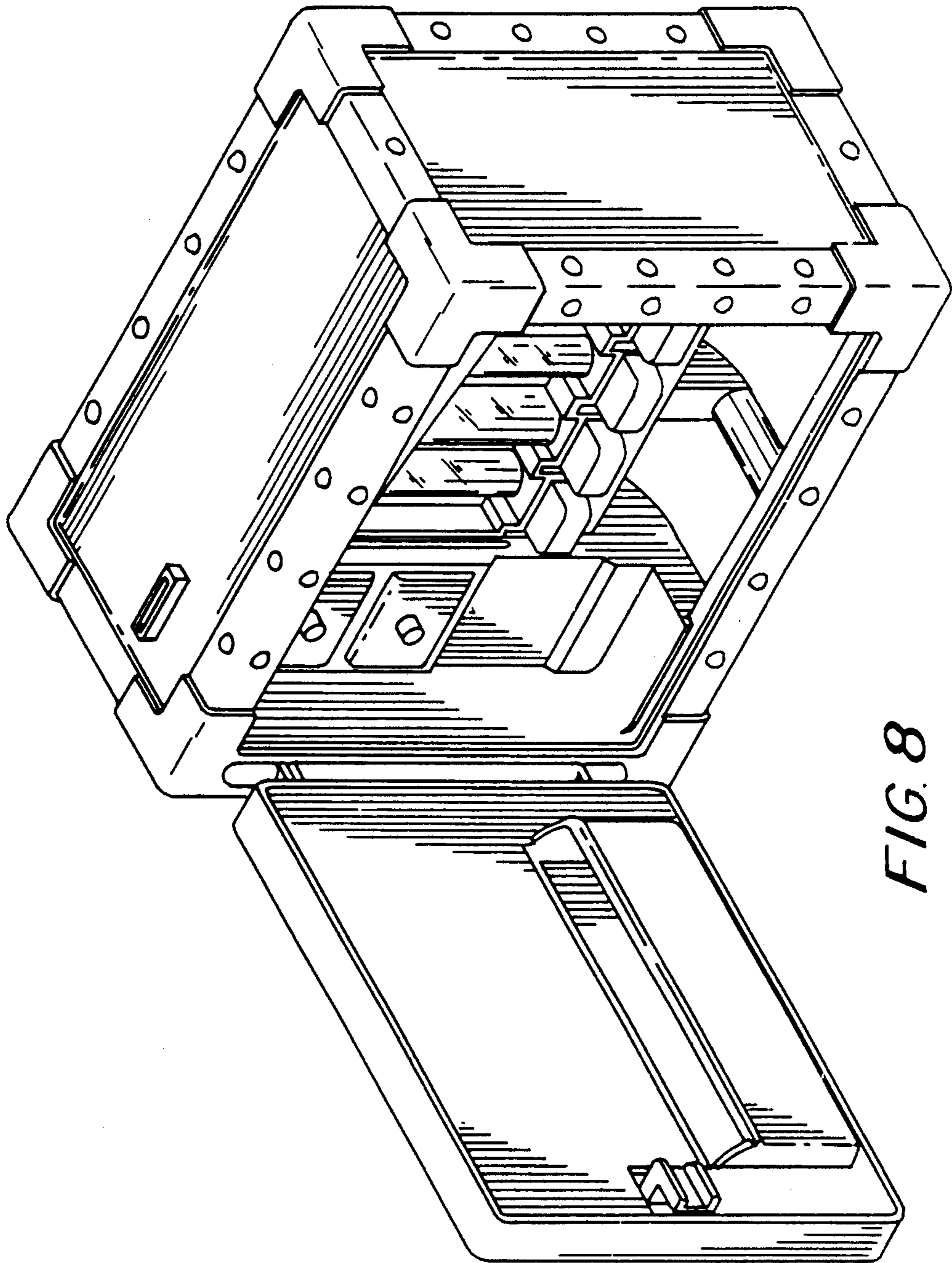


FIG. 8