

[54] TOY BUILDING ELEMENT

[75] Inventors: Lotte M. Pedersen, Frederiksberg; Berit Holmstrøm, Roskilde, both of Denmark

[73] Assignee: Interlego A.G., Baar, Switzerland

[\*\*] Term: 14 Years

[21] Appl. No.: 349,344

[22] Filed: May 9, 1989

[52] U.S. Cl. .... D21/108

[58] Field of Search ..... D21/59, 108, 114, 117, D21/118, 119; 446/108, 115, 118, 129, 126, 85

[56] References Cited

U.S. PATENT DOCUMENTS

D. 214,302	6/1969	Barber	.....	D21/108
D. 236,621	7/1975	Howard	.....	D21/108
2,039,097	4/1936	Malm	.....	D21/108
2,049,097	7/1936	Winnemore	.....	D21/129
3,034,254	5/1962	Christiansen	.....	D21/108

FOREIGN PATENT DOCUMENTS

111673 12/1917 United Kingdom ..... 446/124

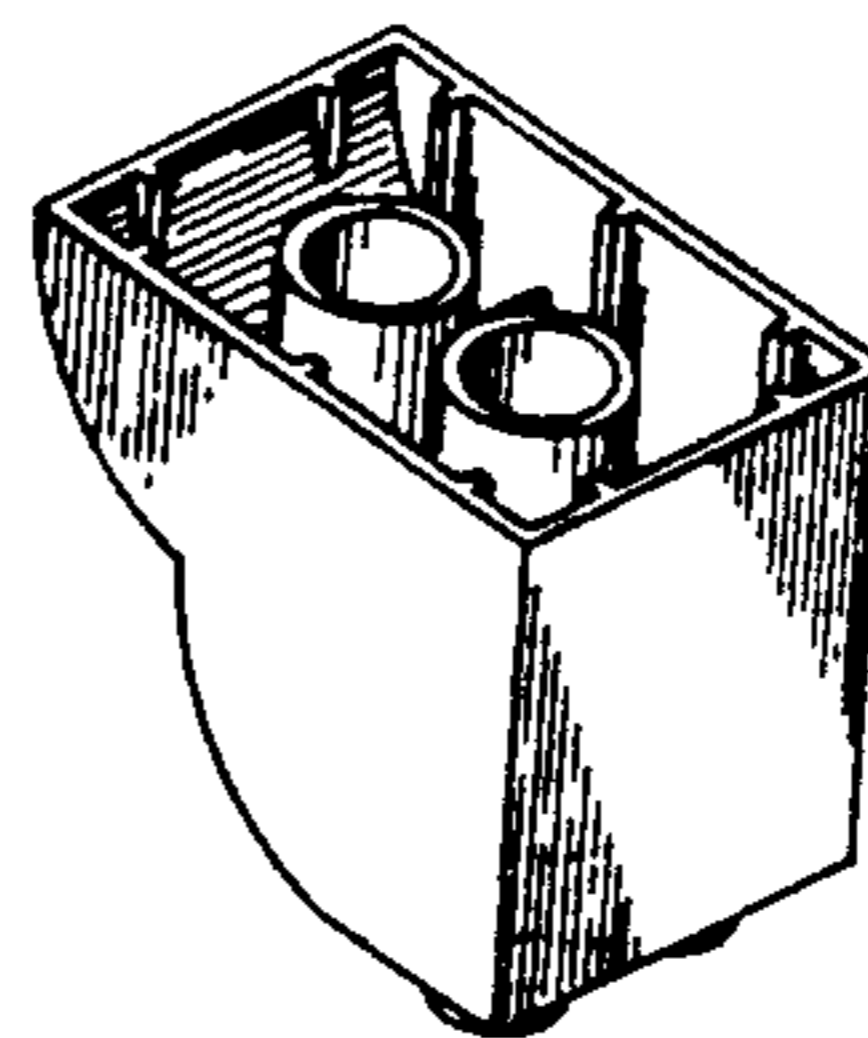
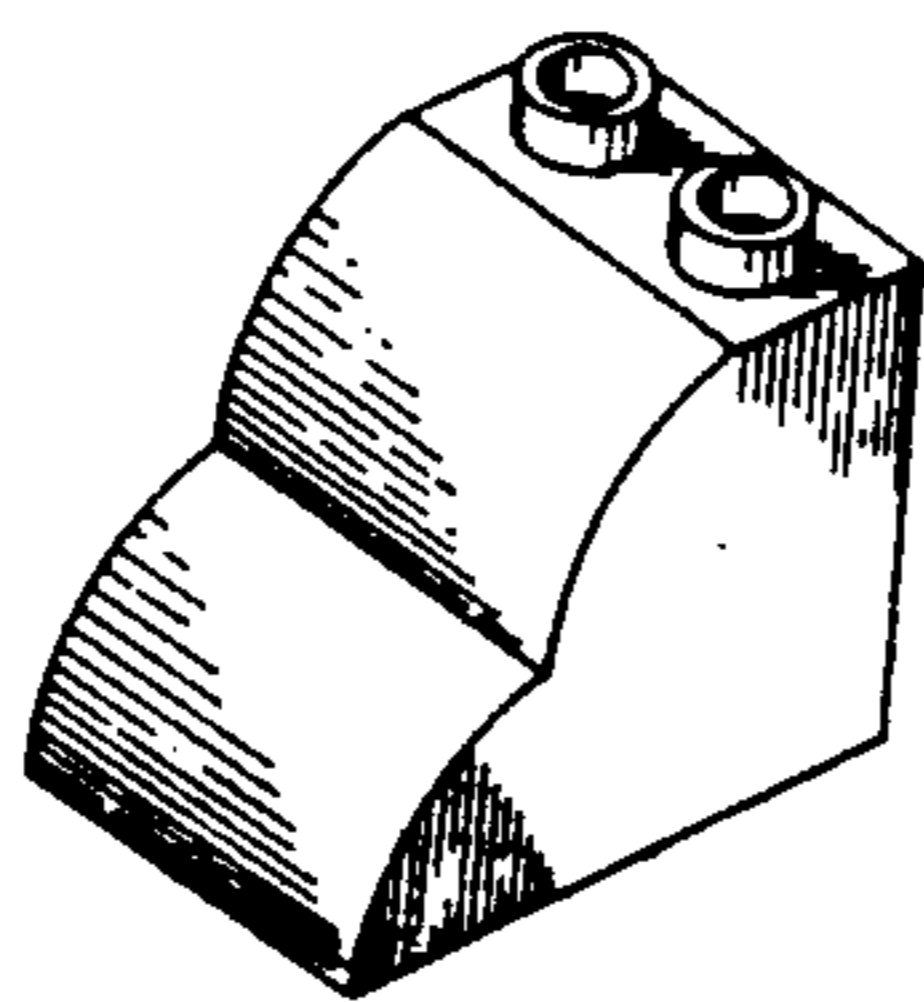
Primary Examiner—Charles A. Rademaker  
Assistant Examiner—Alicia A. Farrell  
Attorney, Agent, or Firm—Kane, Dalsimer, Sullivan, Kurucz, Levy, Eisele and Richard

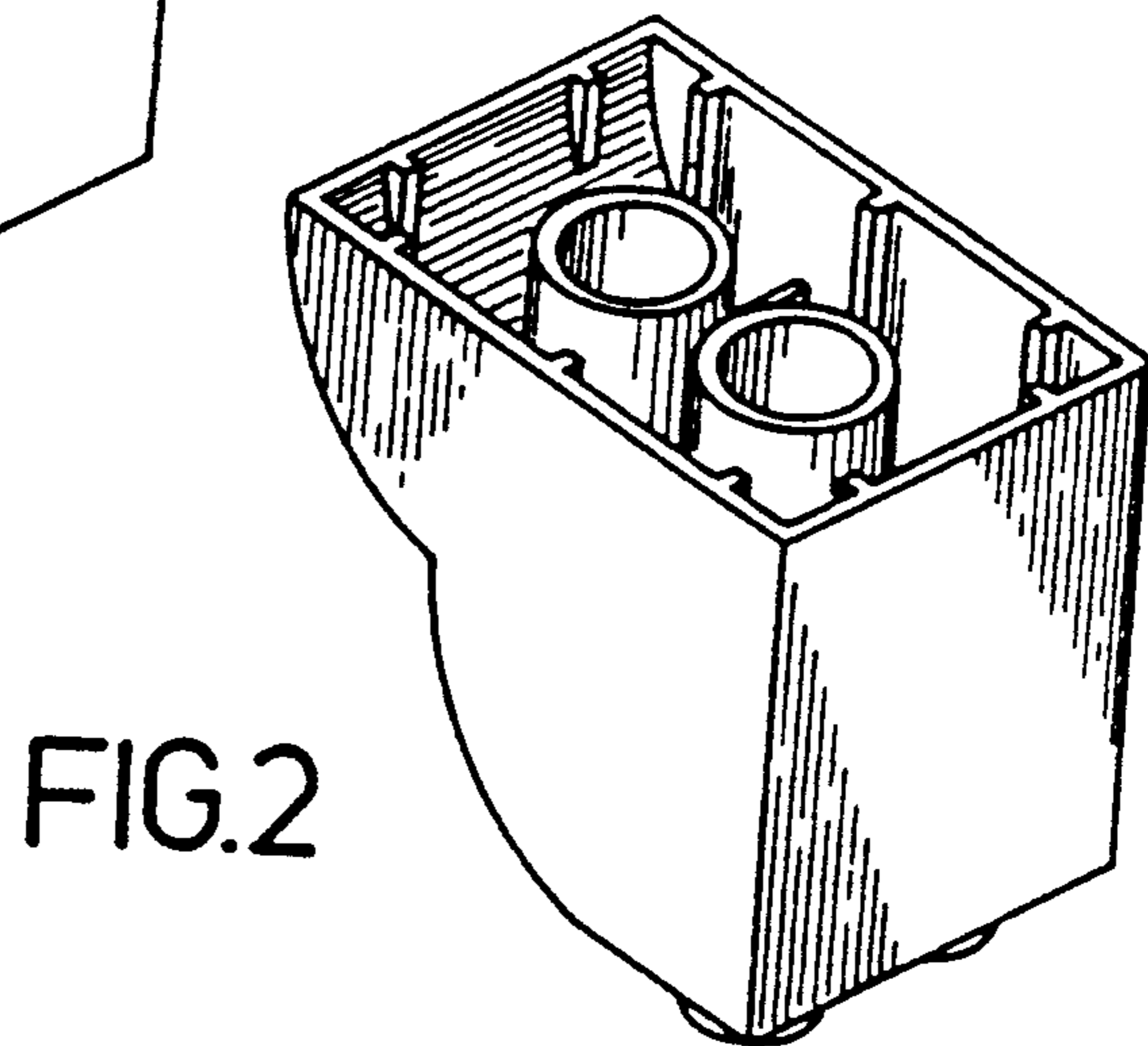
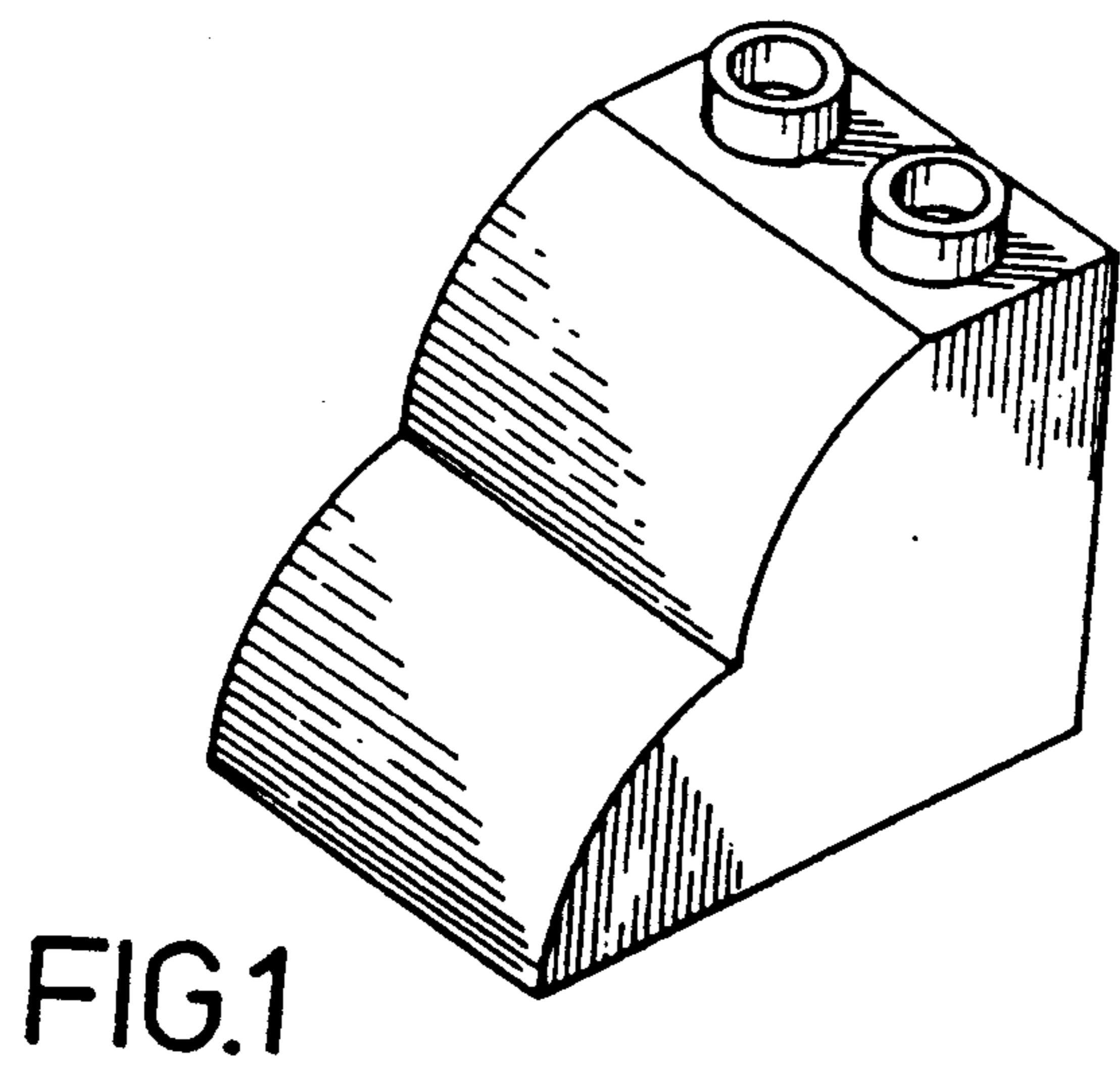
[57] CLAIM

The ornamental design for toy building element, as shown and described.

DESCRIPTION

FIG. 1 is a top perspective view of a toy building element showing our new design;  
FIG. 2 is a bottom perspective view thereof;  
FIG. 3 is a top plan view thereof;  
FIG. 4 is a bottom plan view thereof;  
FIG. 5 is a side elevational view thereof; the side opposite being identical,  
FIG. 6 is a front elevational view thereof; and  
FIG. 7 is a rear elevational view thereof.





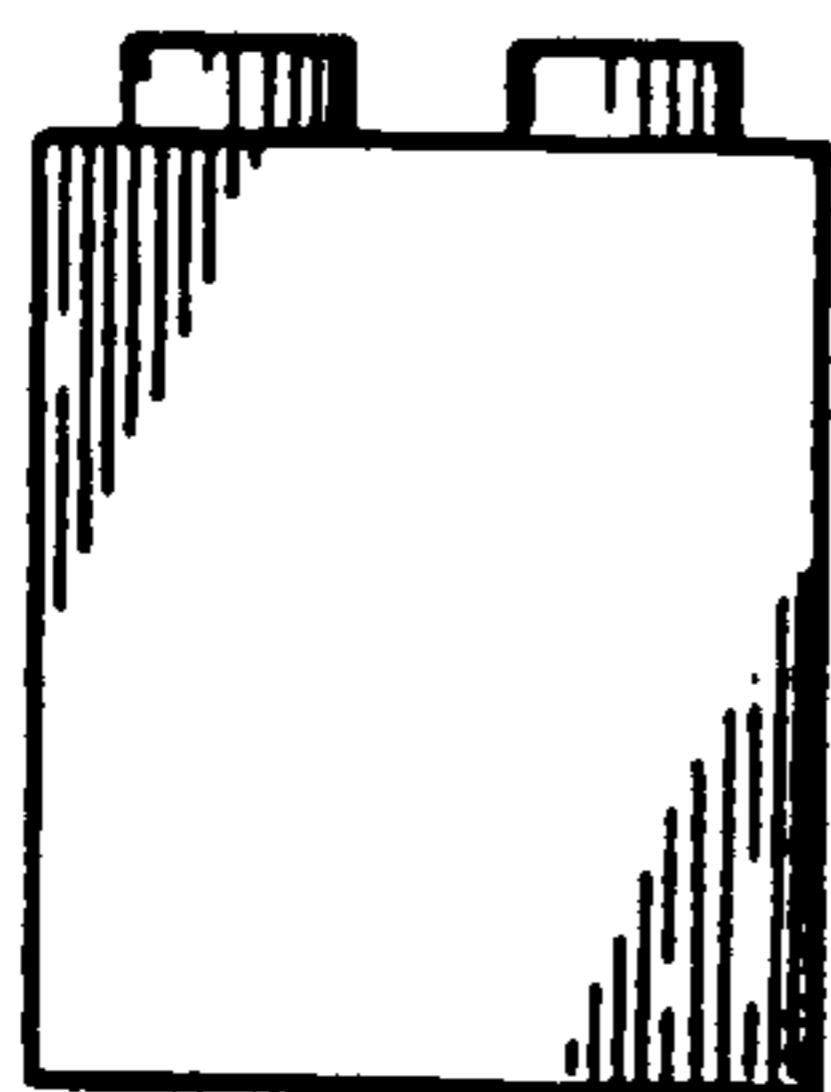
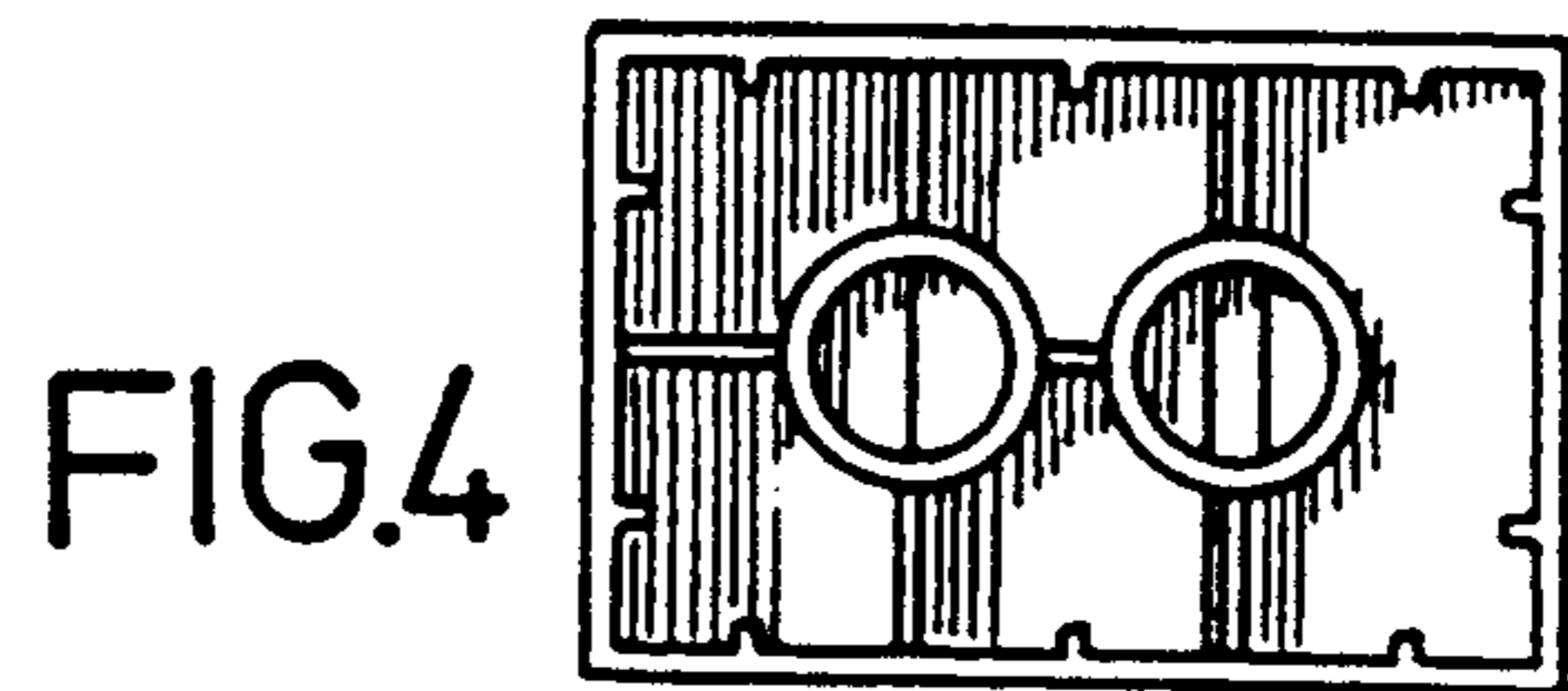
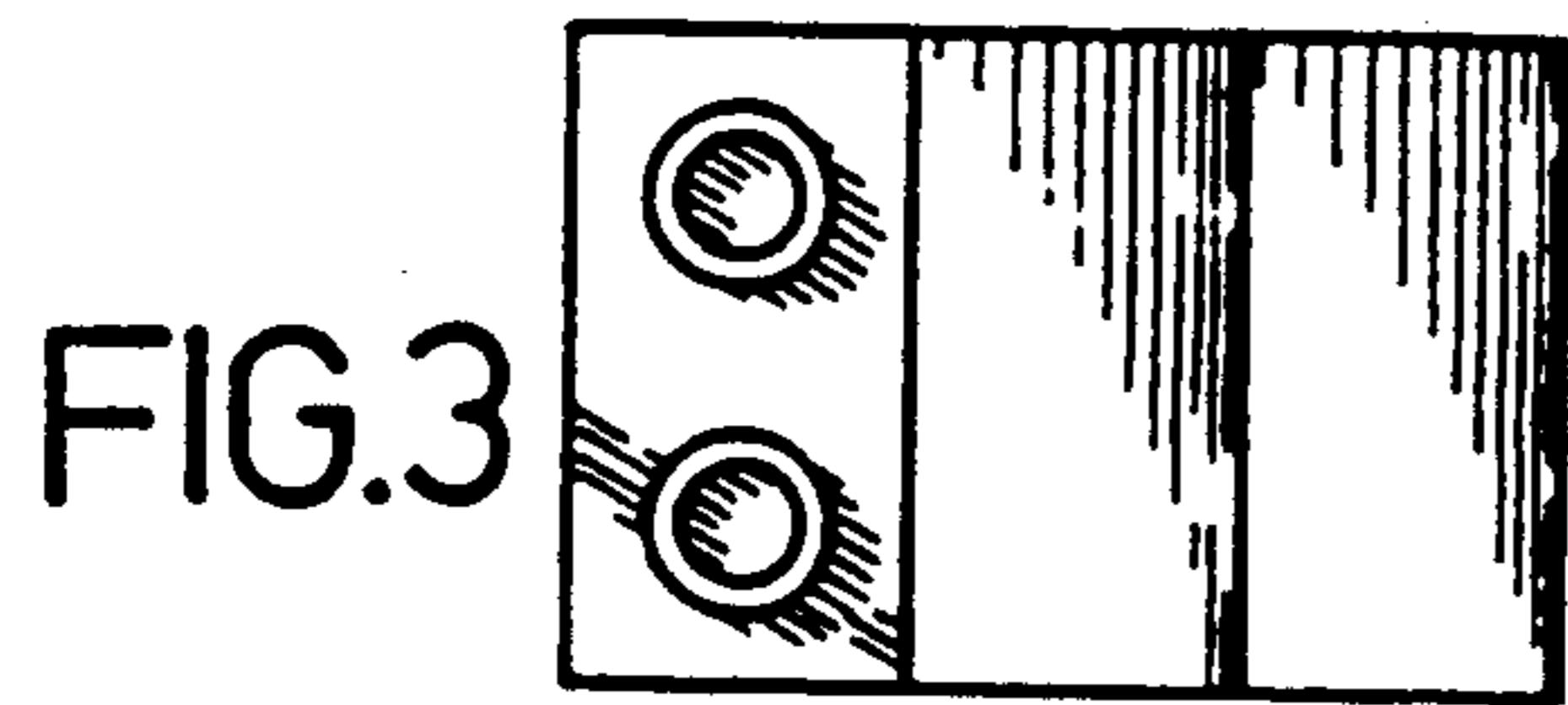


FIG.7

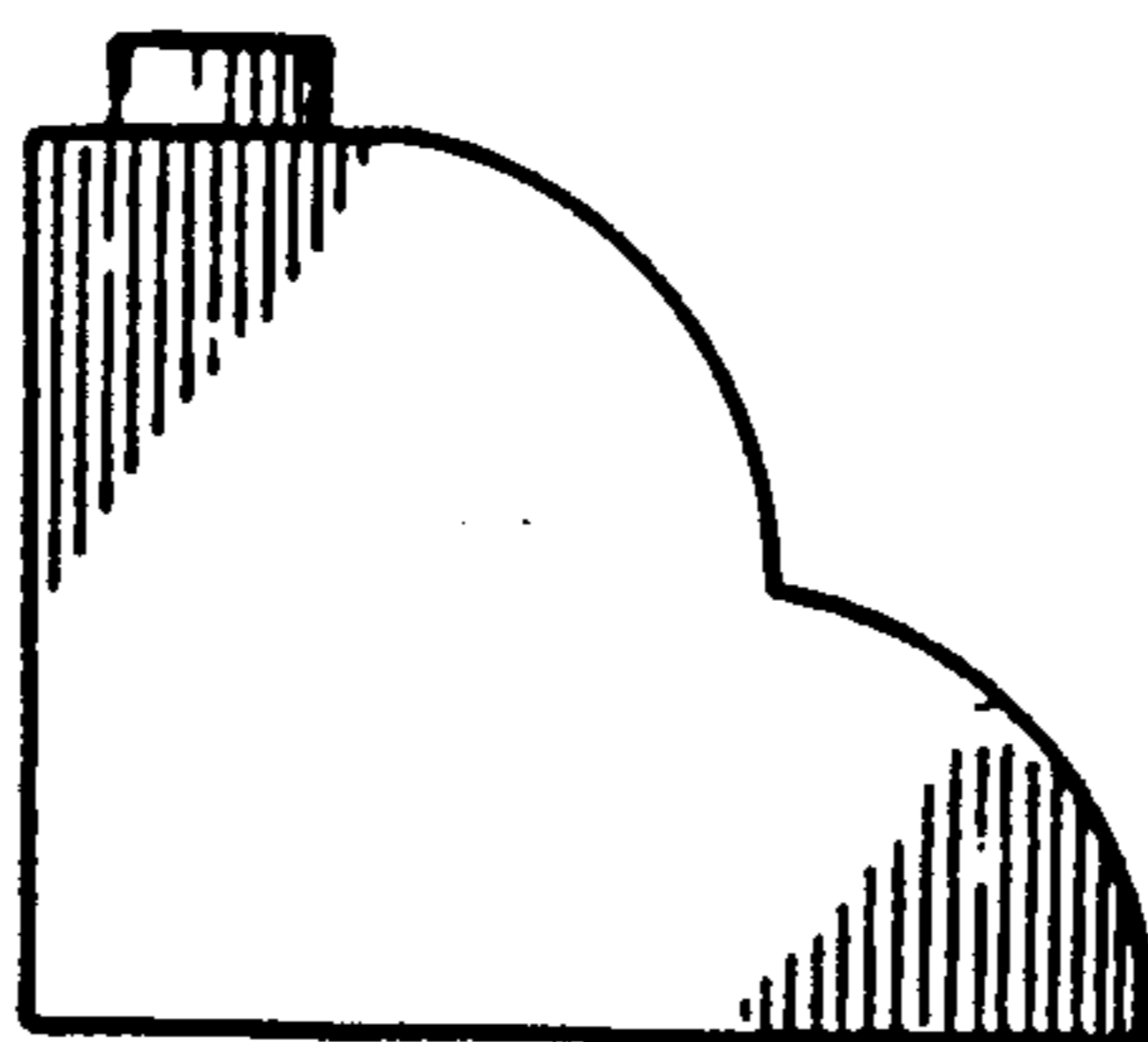


FIG.5

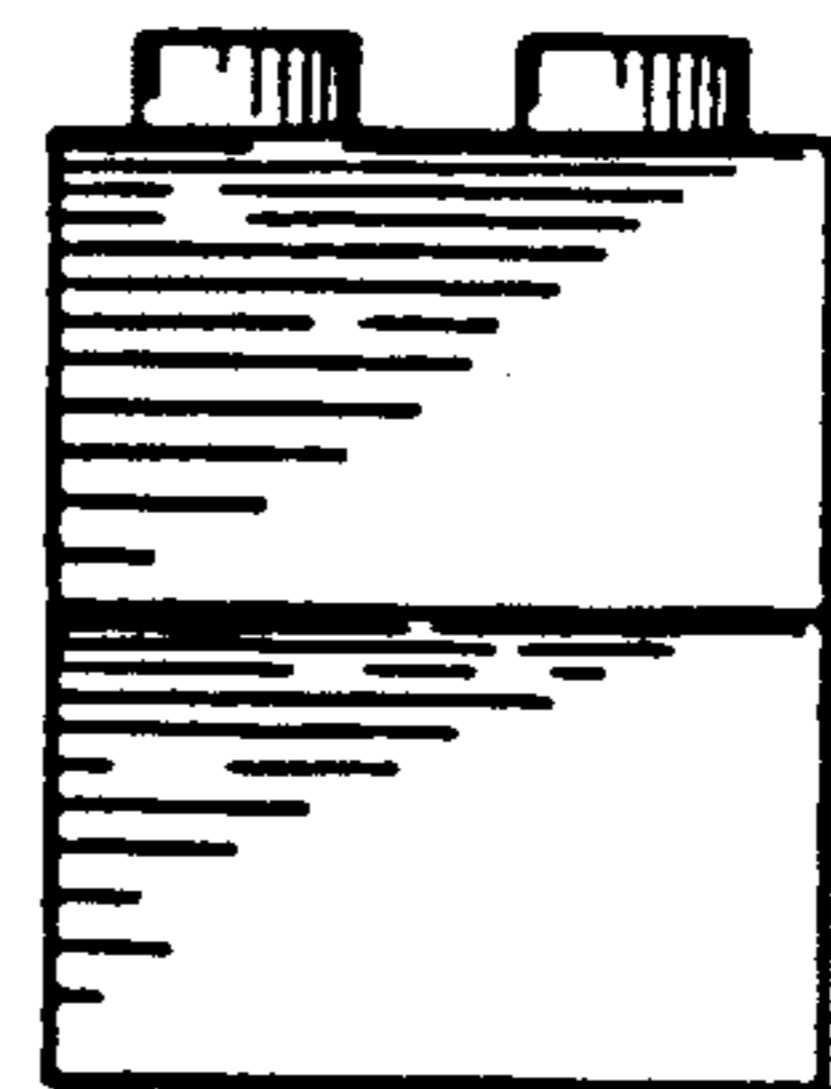


FIG.6