

United States Patent [19]

Hashimoto et al.

[11] Patent Number: **Des. 314,397**

[45] Date of Patent: **** Feb. 5, 1991**

[54] **COPYING MACHINE**

[75] Inventors: **Masanori Hashimoto**, Yokohama;
Tatsuo Okuda, **Akira Ishida**, both of
Tokyo, all of Japan

[73] Assignee: **Ricoh Company, Ltd.**, Tokyo, Japan

[**] Term: **14 Years**

[21] Appl. No.: **192,500**

[22] Filed: **May 11, 1988**

[30] **Foreign Application Priority Data**

Nov. 11, 1987 [JP] Japan 62-046190

[52] U.S. Cl. **D18/37**

[58] Field of Search **D18/13, 36-40;**
D14/107, 111, 114; 355/200, 210, 233, 234

[56] **References Cited**

U.S. PATENT DOCUMENTS

D. 278,246 4/1985 Masaki D18/37
D. 283,512 4/1986 Umino et al. D18/37
D. 295,520 5/1988 Ooie D18/37 X
D. 295,528 5/1988 Masaki et al. D18/37
D. 299,831 2/1989 Hirata D18/37
D. 304,204 10/1989 Wada et al. D14/107 X

Primary Examiner—Nelson C. Holtje

Assistant Examiner—Caron D. Veynar

Attorney, Agent, or Firm—Oblon, Spivak, McClelland,
Maier & Neustadt

[57] **CLAIM**

The ornamental design for a copying machine, as shown and described.

DESCRIPTION

FIG. 1 is a top, front and right side perspective view of a copying machine showing our new design; and FIG. 2 is a bottom, rear and left side perspective view thereof.

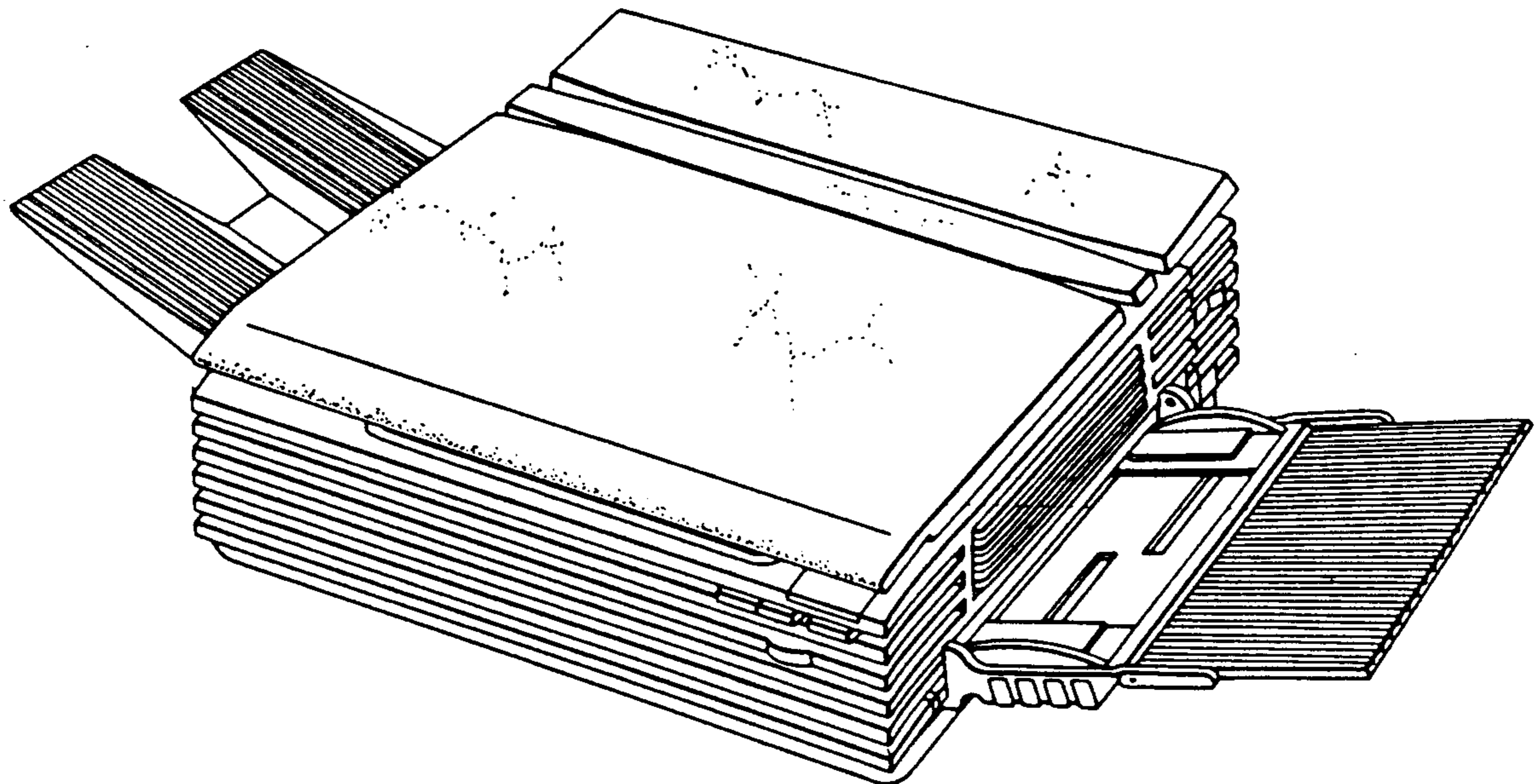


FIG. 1

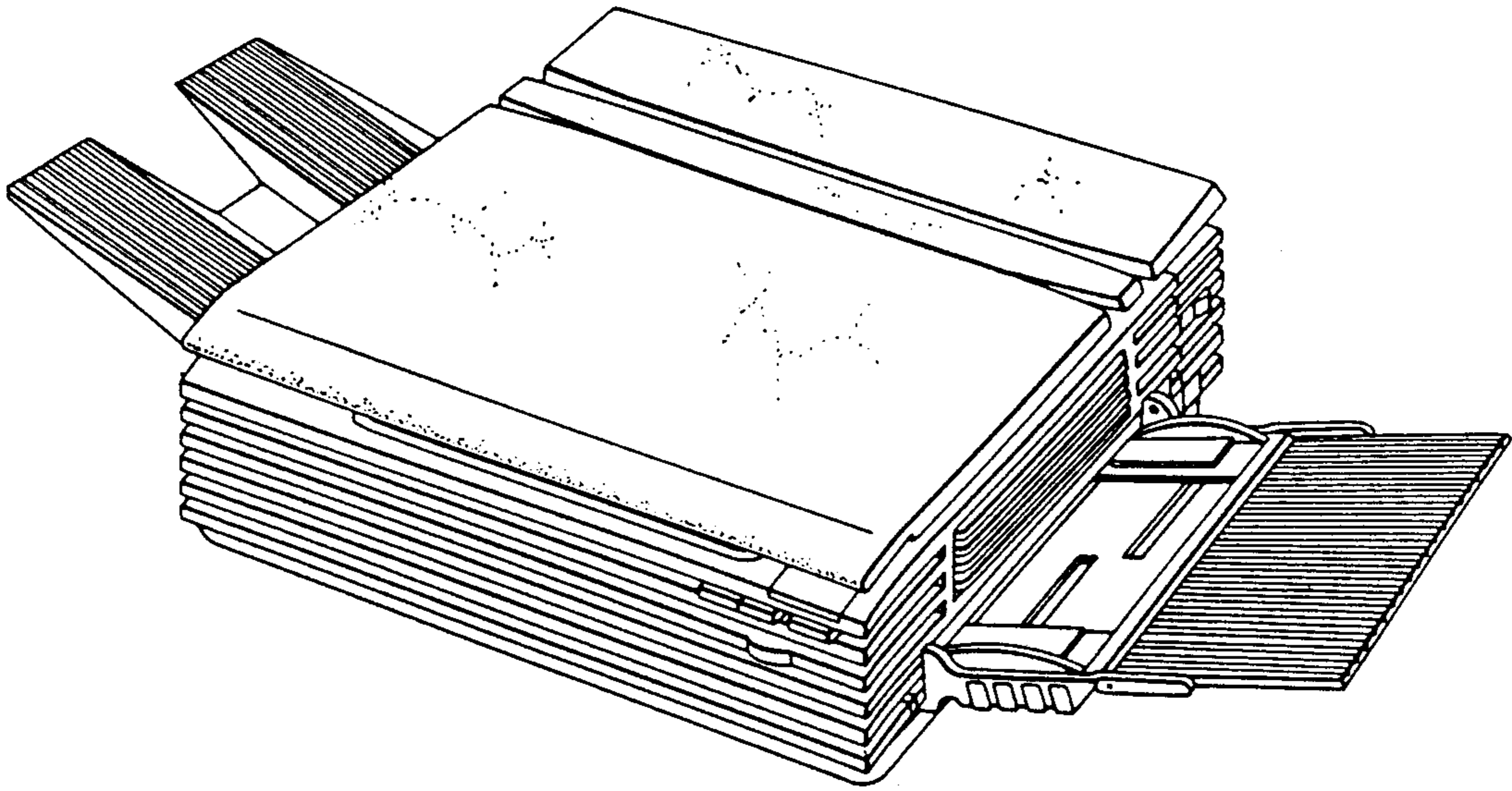


FIG. 2

