

[54] SAFETY GOGGLE

[75] Inventor: Herbert Nussbickl, Oberasbach, Fed. Rep. of Germany

[73] Assignee: Uvex Winter Optik GmbH, Furth/Bay, Fed. Rep. of Germany

[**] Term: 14 Years

[21] Appl. No.: 12,863

[22] Filed: Feb. 9, 1987

[30] Foreign Application Priority Data

Aug. 19, 1986 [IB] Int'l Pat. Institute DM/007 375
[52] U.S. Cl. D16/102
[58] Field of Search D16/102-122;
D29/9, 18; 351/41, 44-49, 51-53, 56-60, 63, 65,
70, 83, 85, 87, 90, 103, 110, 155-158; 2/12, 15,
426, 431, 436, 439, 440, 445-450, 452

[56] References Cited

U.S. PATENT DOCUMENTS

D. 231,260 4/1974 Jelinek D16/115
D. 295,870 5/1988 Laterre D16/112

OTHER PUBLICATIONS

"Accessories" Distributors, Inc. 1975 Catalog P. 29
Items B & D by Foster Grant.

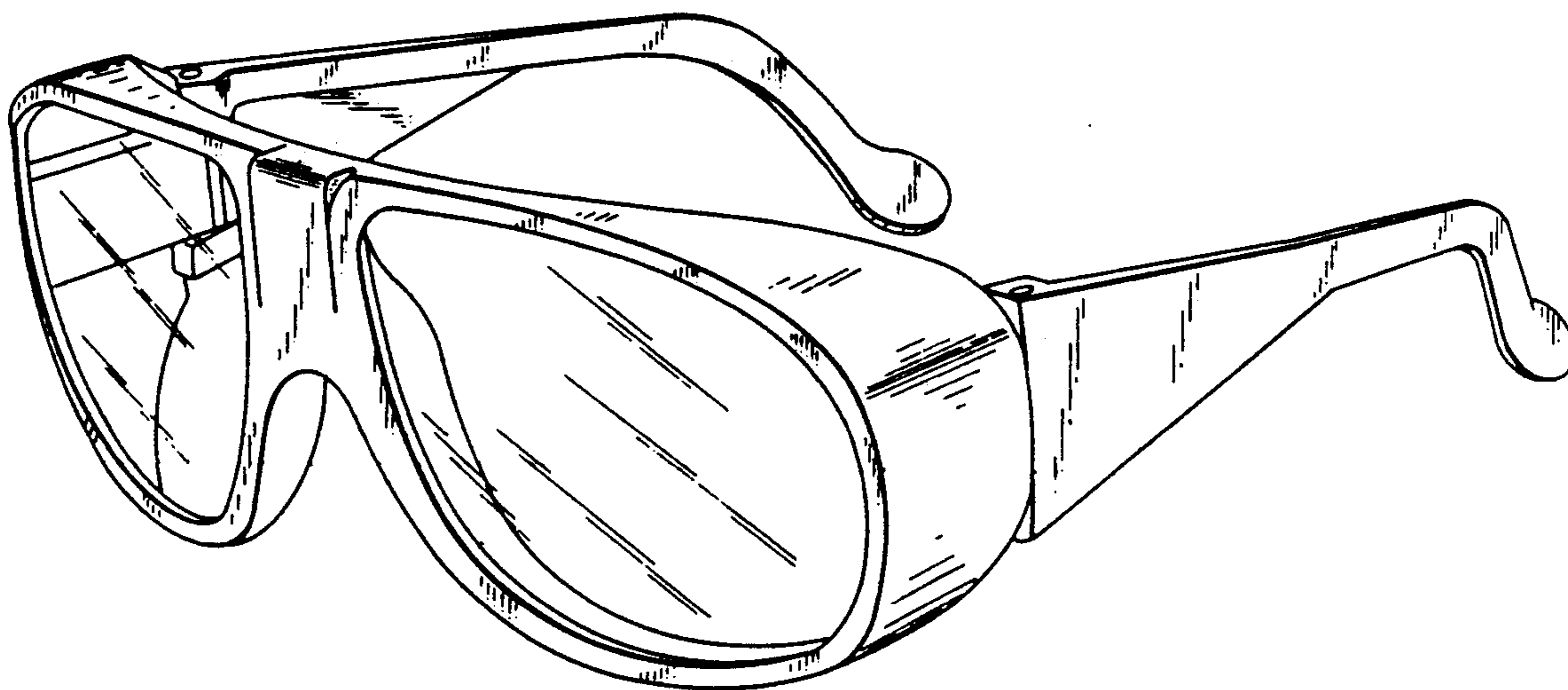
Primary Examiner—Nelson C. Holtje
Assistant Examiner—Clare E. Heflin
Attorney, Agent, or Firm—Browdy and Neimark

[57] CLAIM

The ornamental design for a safety goggle, as shown
and described.

DESCRIPTION

FIG. 1 is a top, front and one side perspective view of
a safety goggle showing my new design;
FIG. 2 is a side perspective view thereof, the opposite
side perspective view being a mirror image;
FIG. 3 is a fragmentary rear perspective view thereof;
FIG. 4 is a rear elevational view thereof;
FIG. 5 is a bottom plan view thereof.



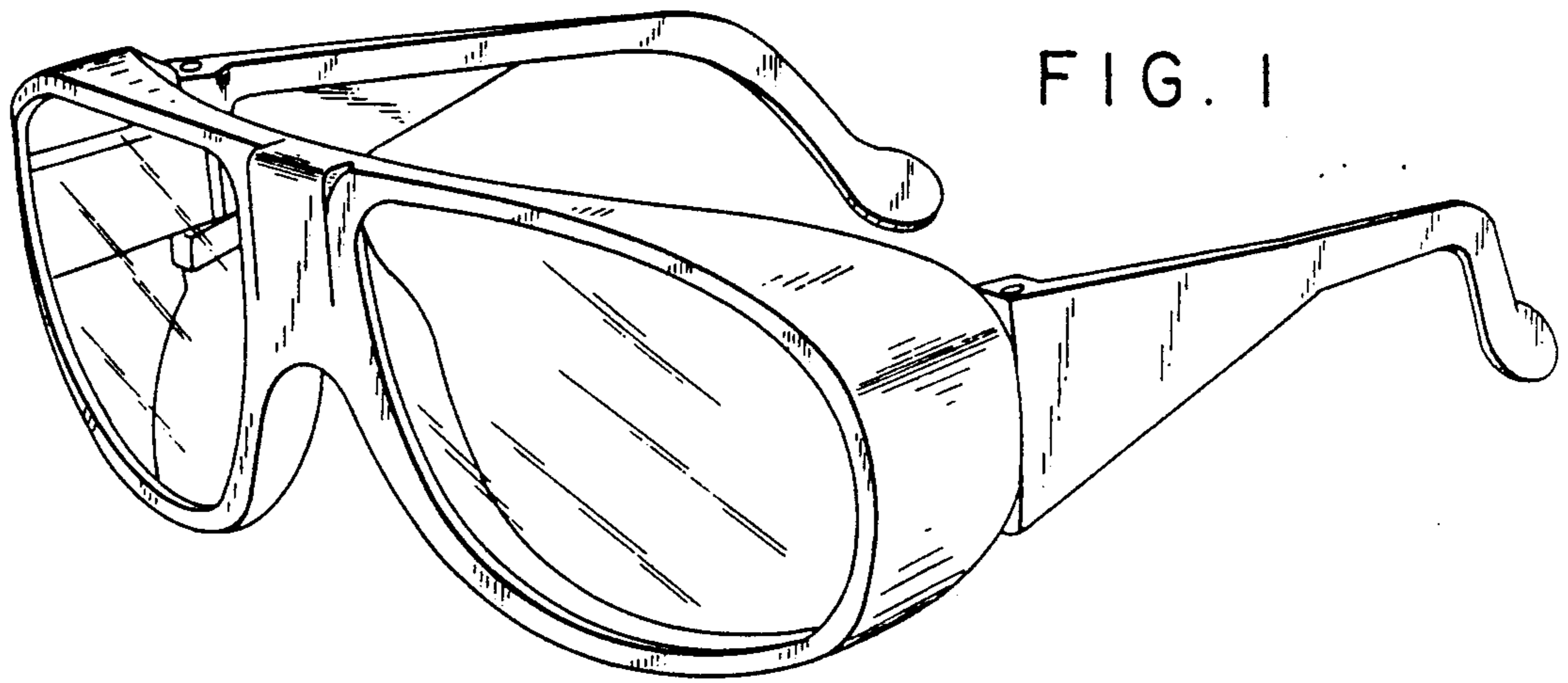


FIG. 1

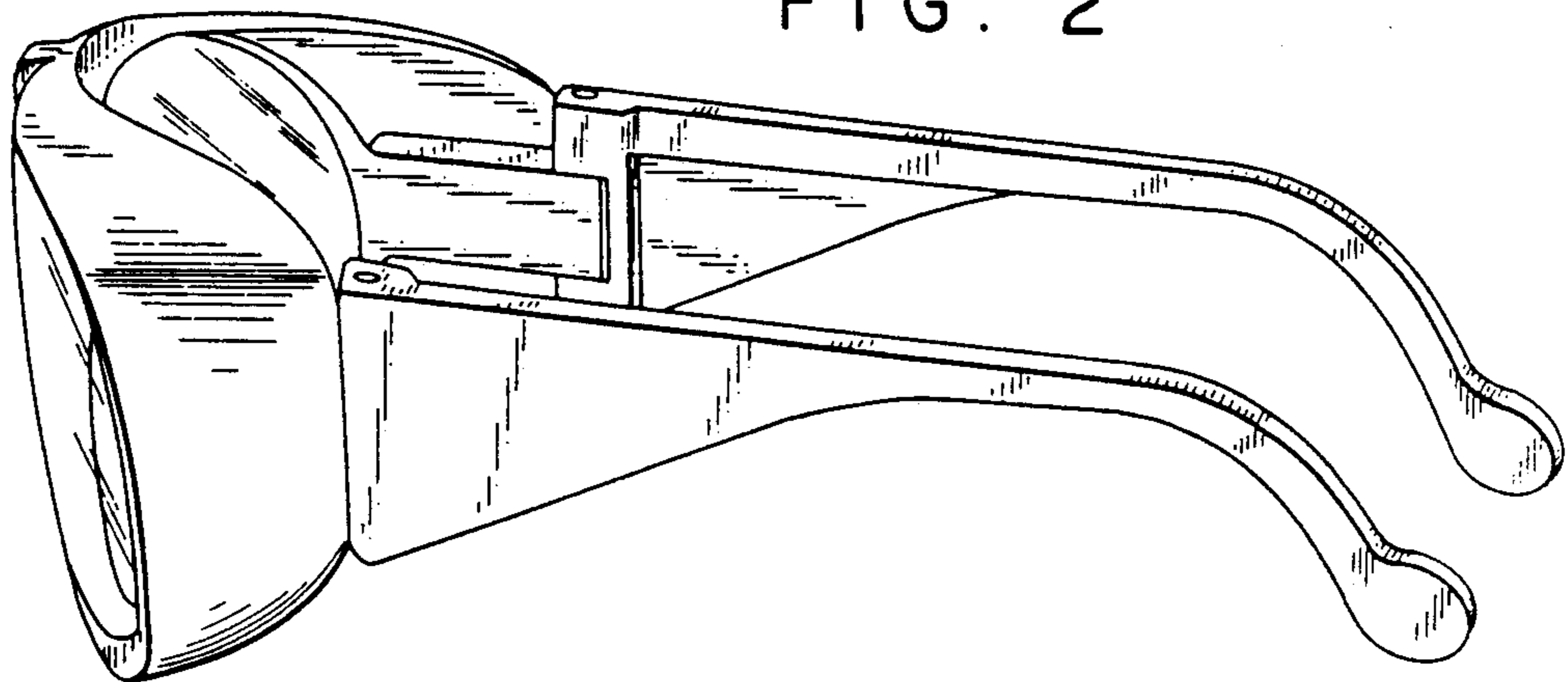


FIG. 2

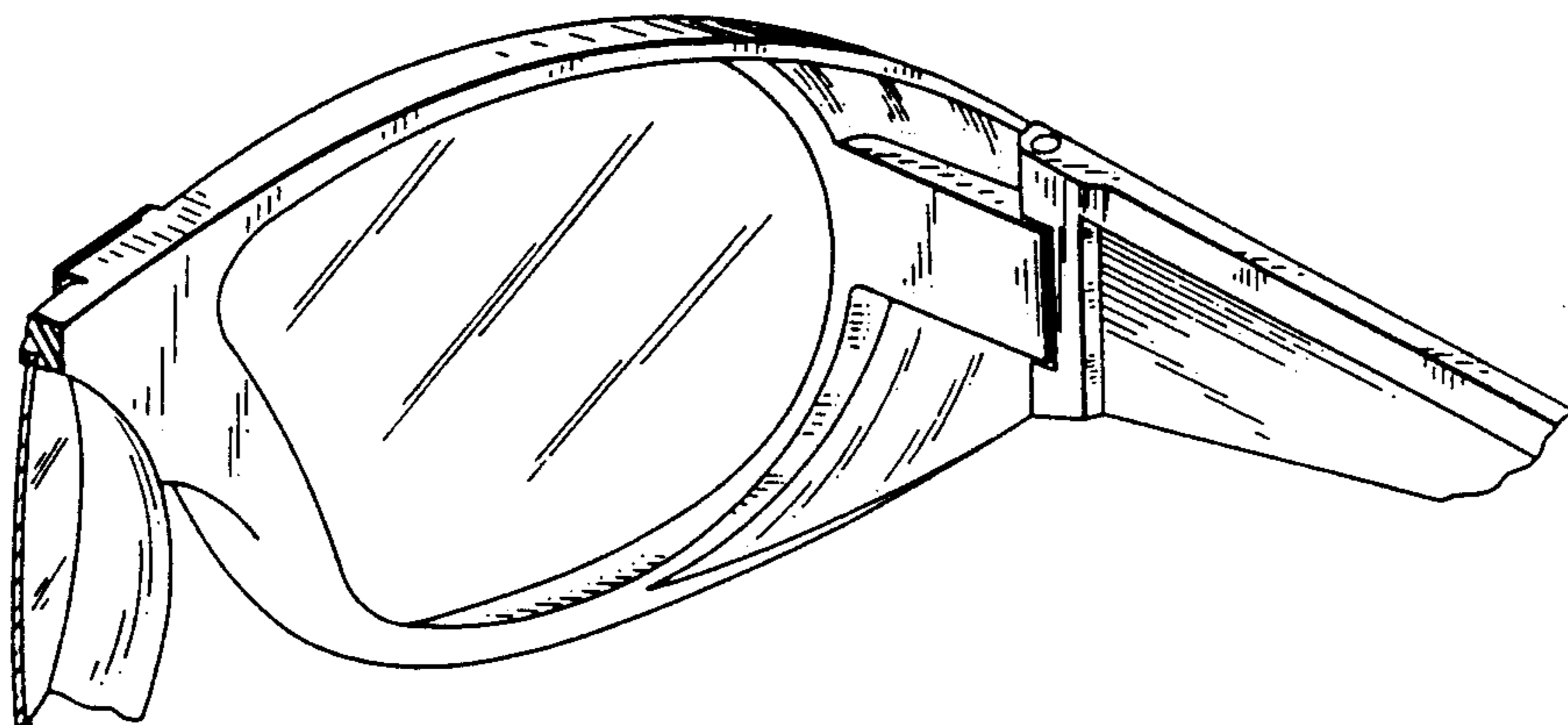


FIG. 3

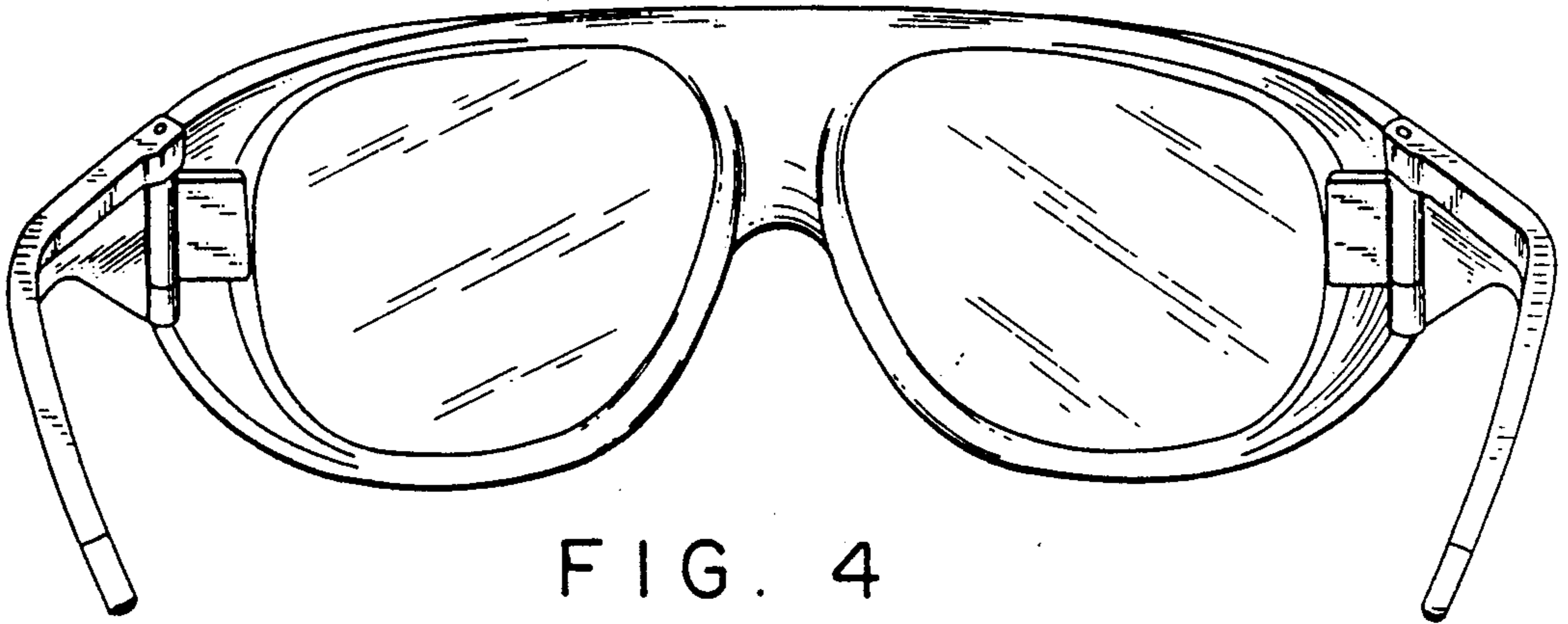


FIG. 4

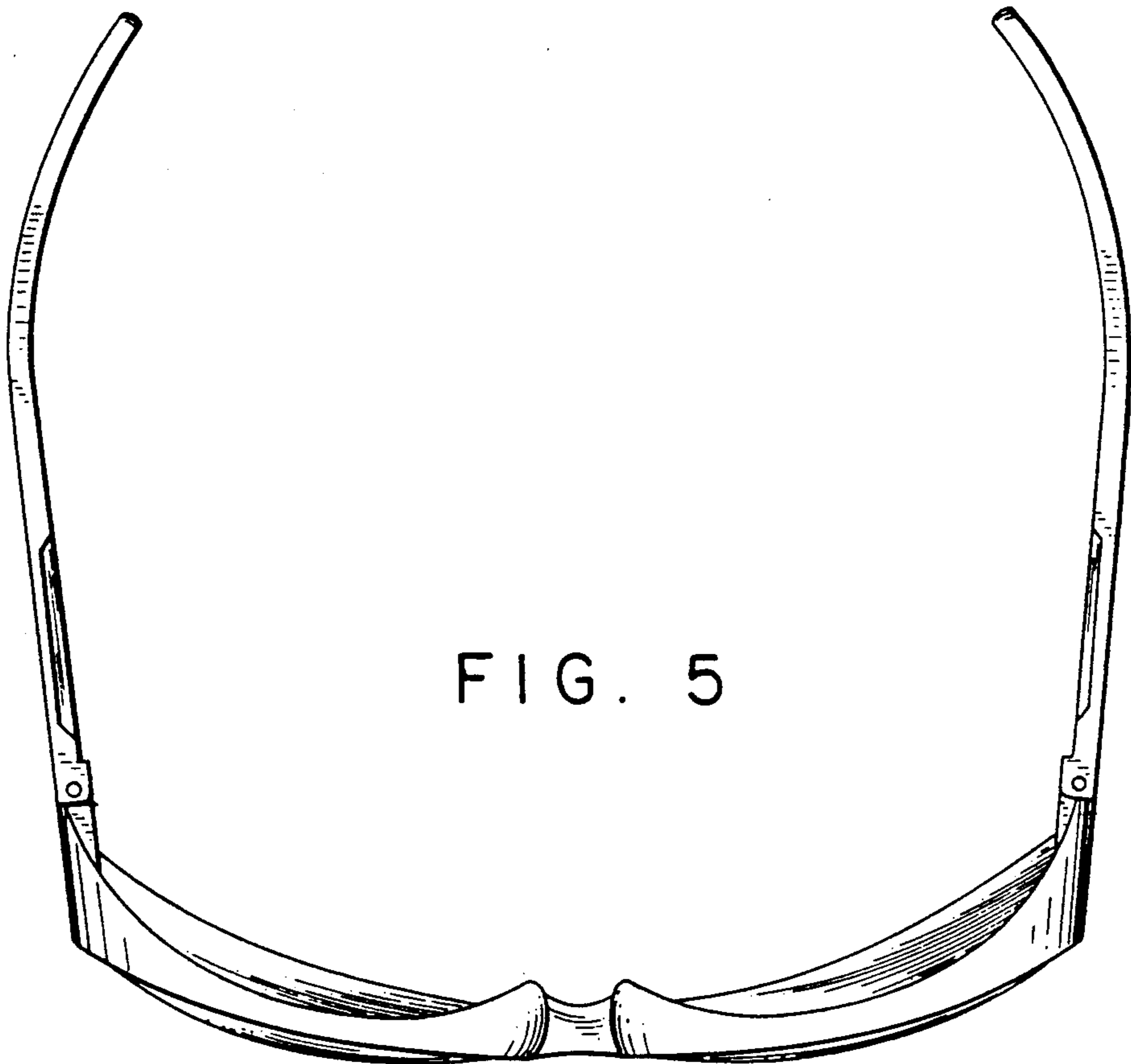


FIG. 5