

[54] SEWING MACHINE

[75] Inventor: Nobufusa Kuroki, Machida, Japan

[73] Assignee: Janome Sewing Machine Co. Ltd., Tokyo, Japan

[**] Term: 14 Years

[21] Appl. No.: 67,221

[22] Filed: Jun. 25, 1987

[52] U.S. Cl. D15/68

[58] Field of Search D15/66, 68-76; 112/63, 258-261

[56] References Cited

U.S. PATENT DOCUMENTS

- D. 280,730 9/1985 Uchida D15/69
- D. 285,571 9/1986 Eguchi et al. D15/69

D. 290,368 6/1987 Eguchi D15/69

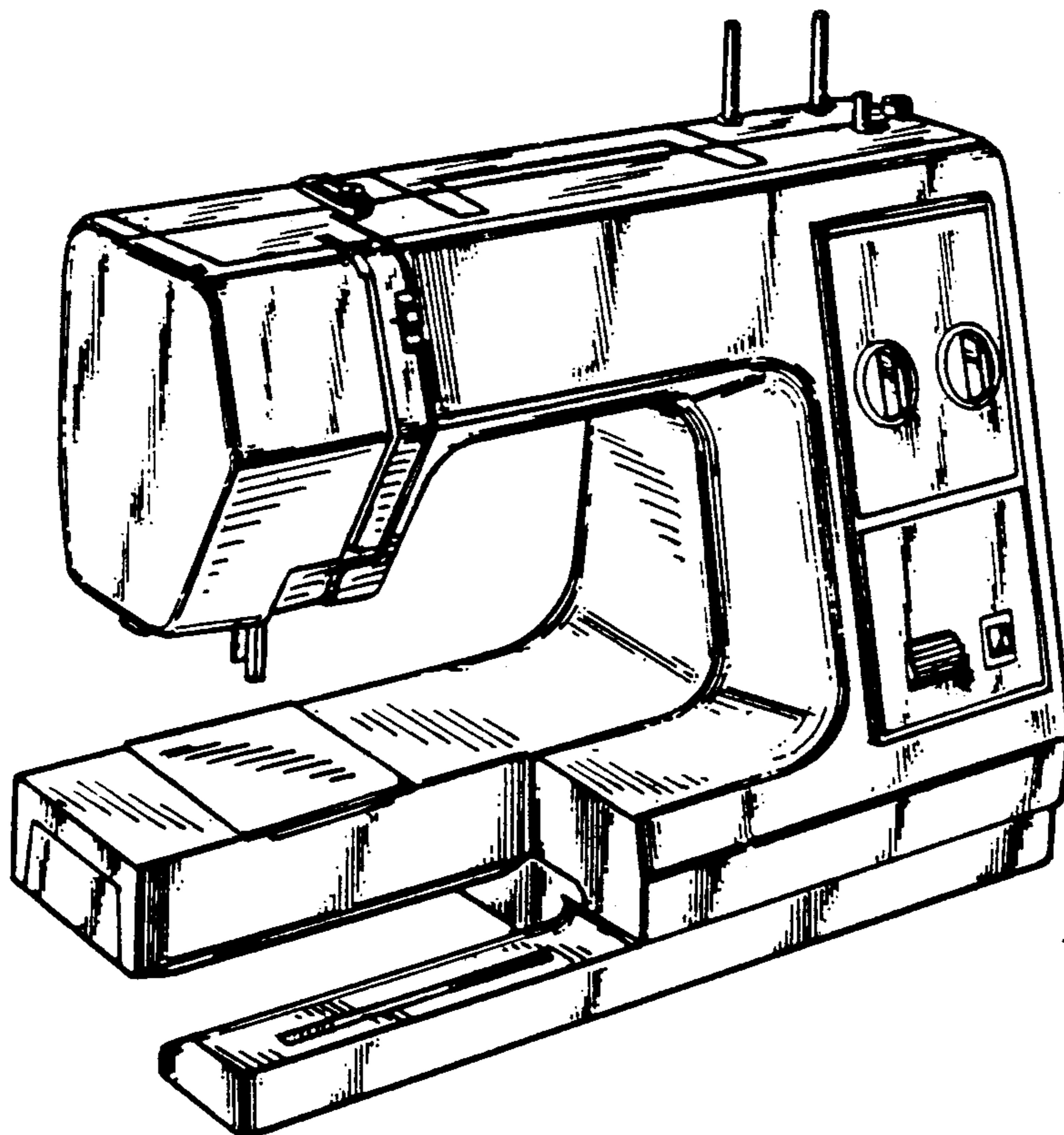
Primary Examiner—A. Hugo Word
Assistant Examiner—Ruth McInroy
Attorney, Agent, or Firm—Michael J. Striker

[57] CLAIM

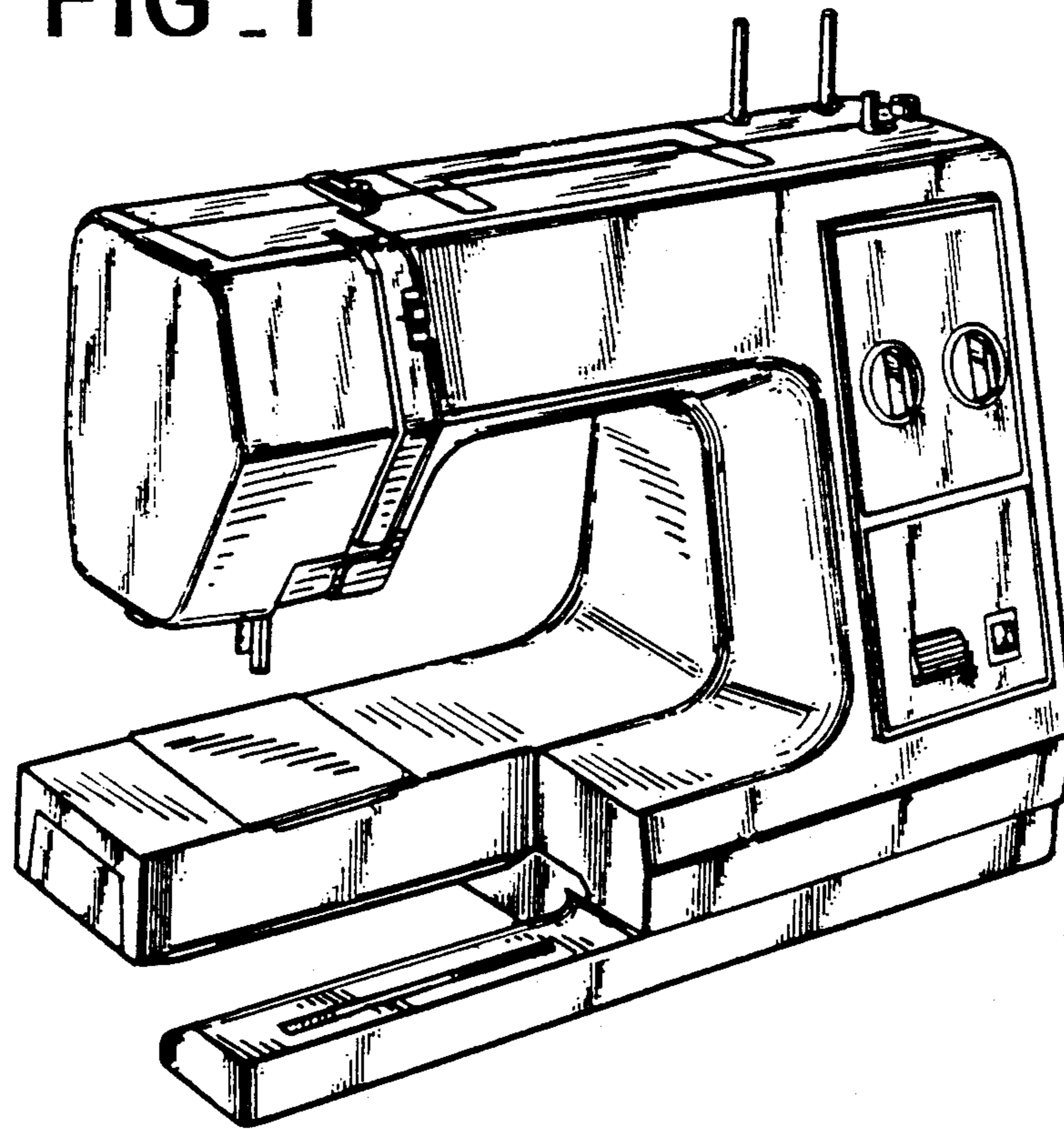
The ornamental design for a sewing machine, as shown and described.

DESCRIPTION

FIG. 1 is a perspective view of a sewing machine showing my new design;
FIG. 2 is a front elevational view thereof;
FIG. 3 is a right side elevational view thereof;
FIG. 4 is a left side elevational view thereof;
FIG. 5 is a rear elevational view thereof;
FIG. 6 is a top plan view thereof; and
FIG. 7 is a bottom plan view thereof.



FIG_1



FIG_2

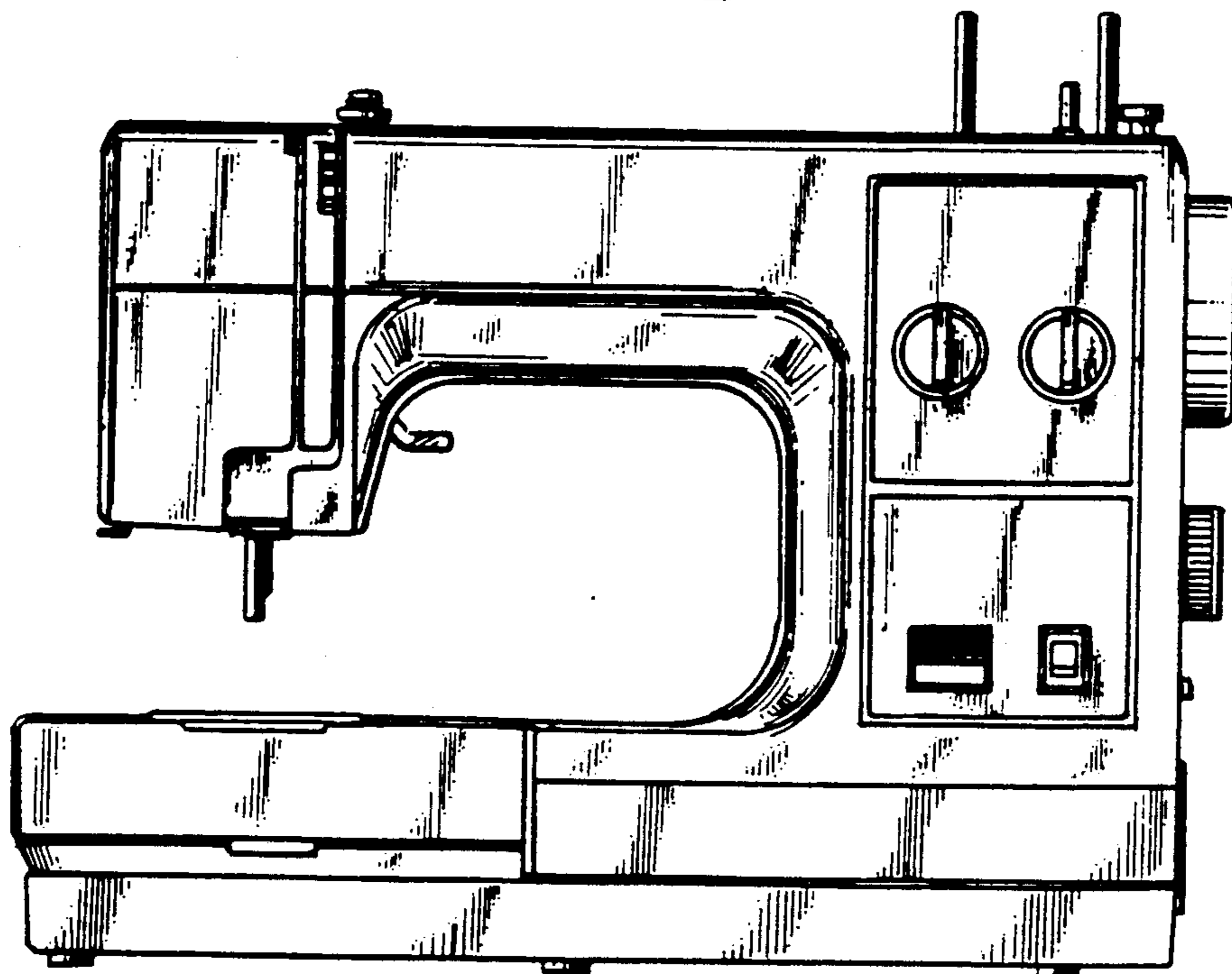


FIG. 3

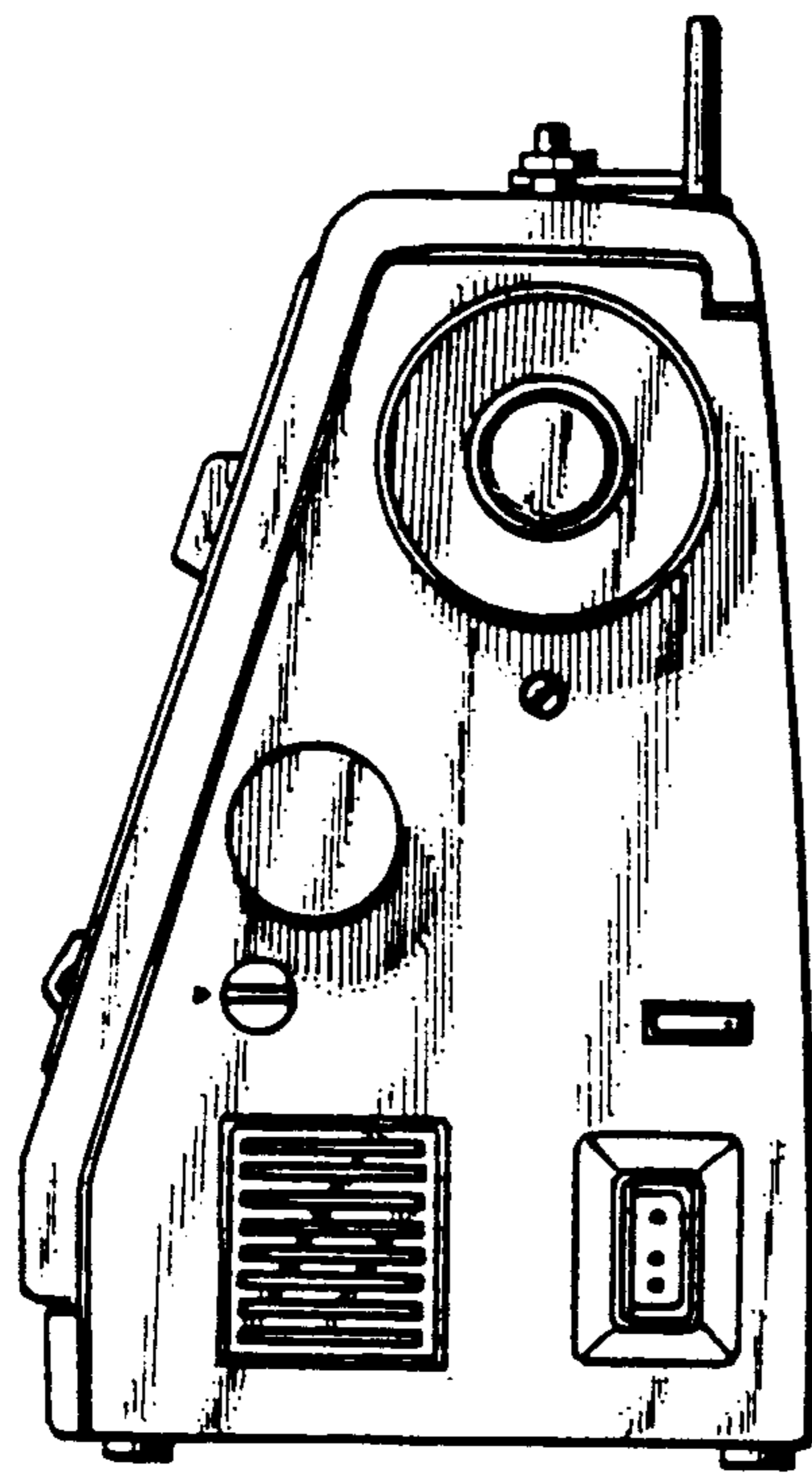


FIG. 4

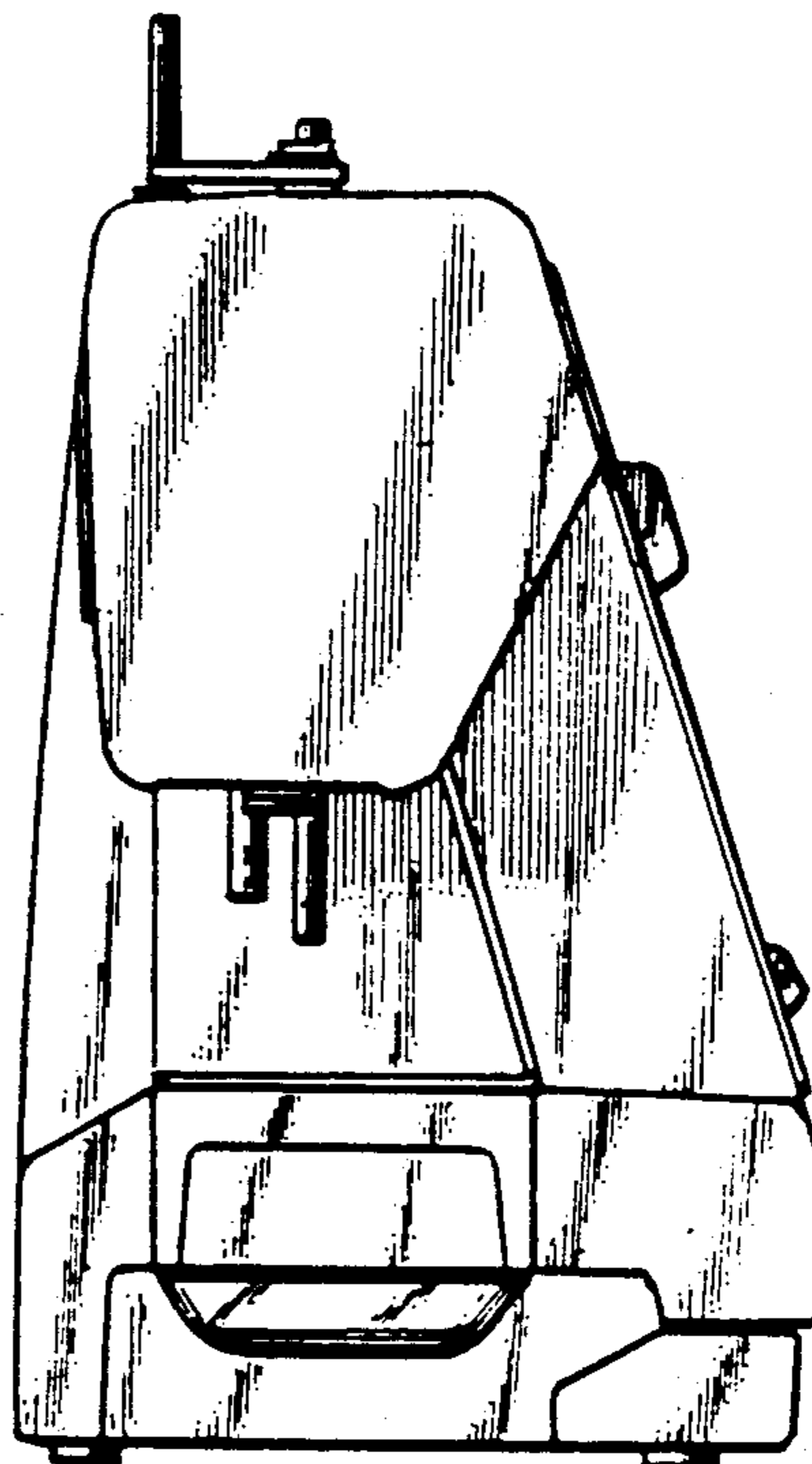


FIG. 5

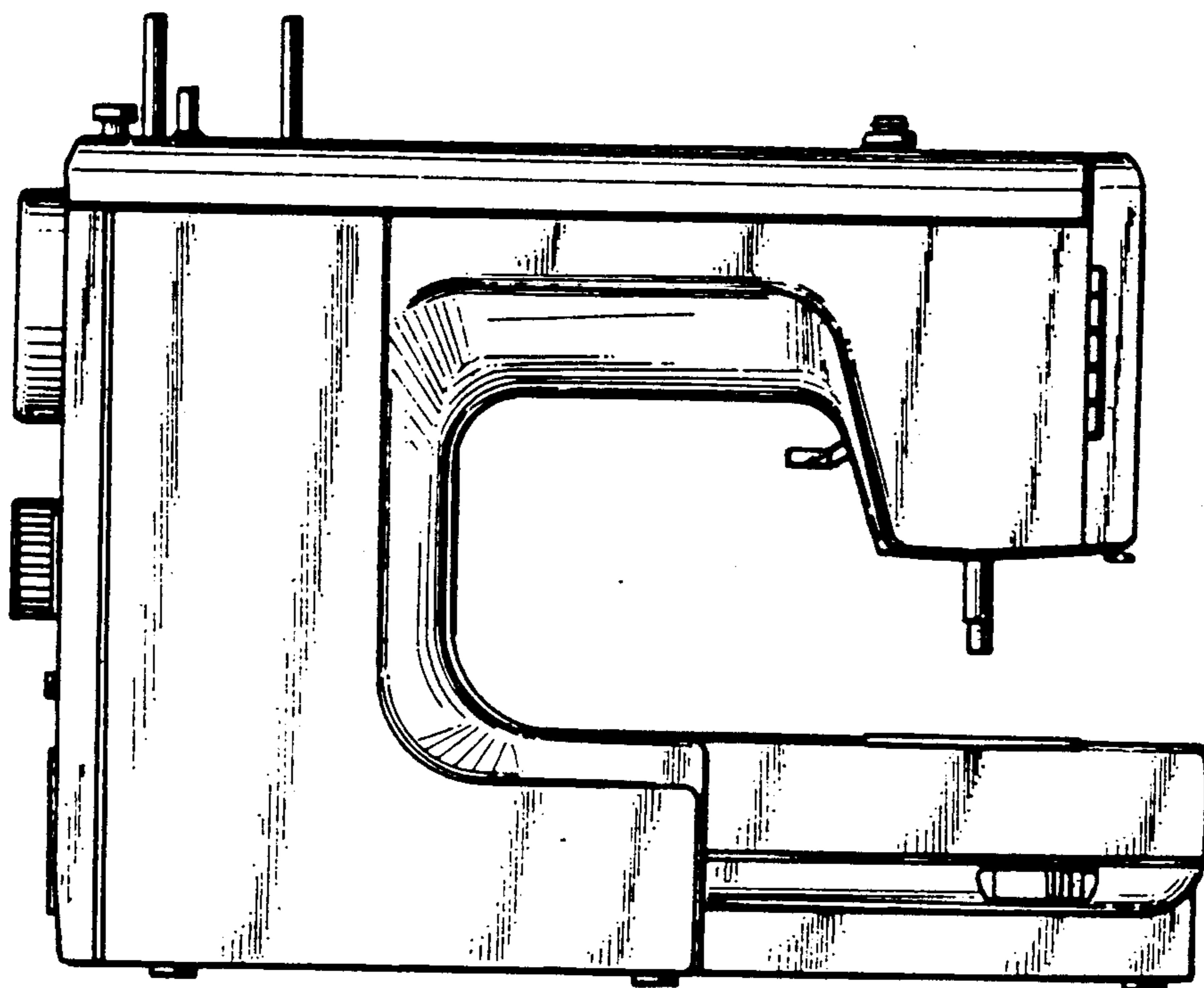


FIG. 6

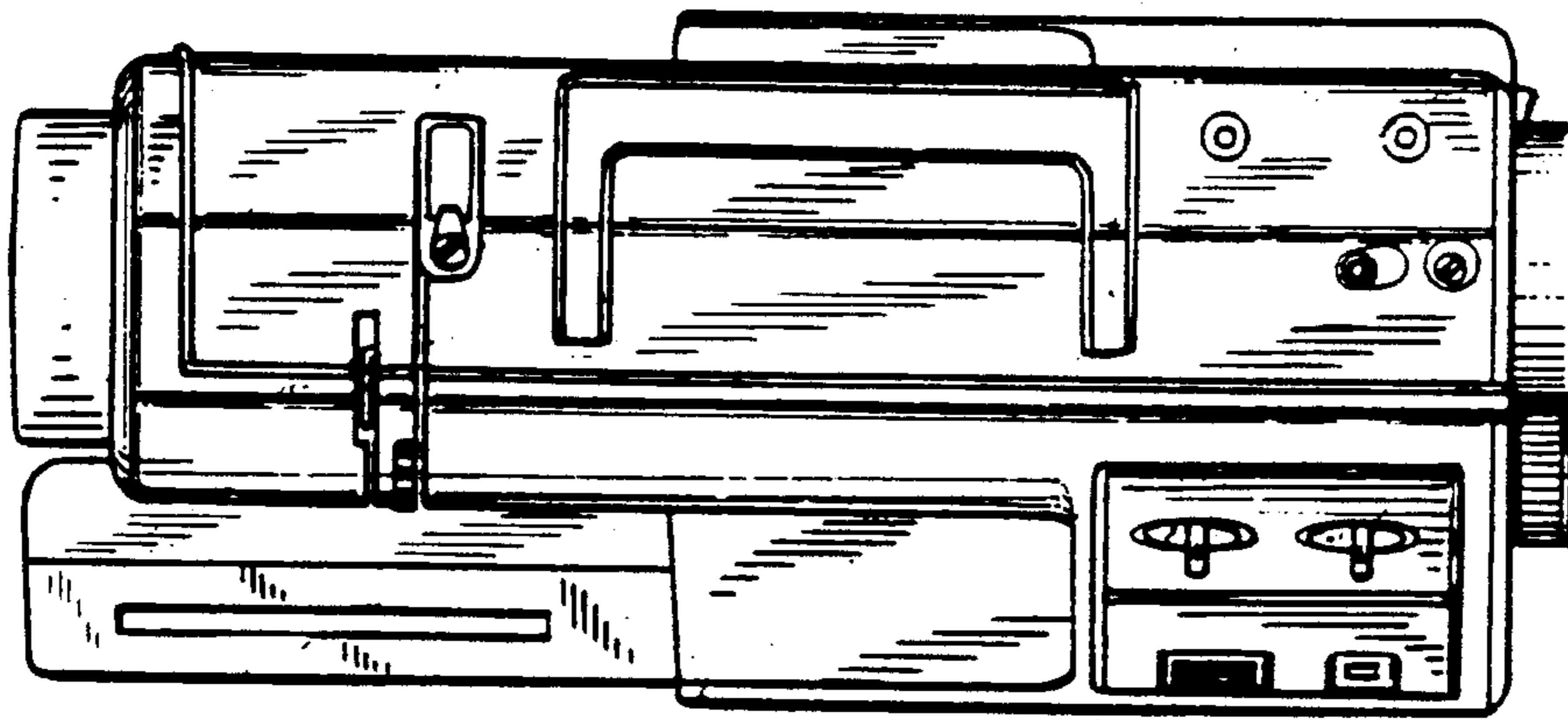


FIG. 7

