

[54] SKID STEER LOADER

[75] Inventors: Carman P. Lynnes, Leonard; Joseph M. Mather, Lisbon; Larry E. Albright, Gwinner; Orlan J. Loraas, Lisbon, all of N. Dak.; William R. Worrell, Hopkins, Minn.

[73] Assignee: Clark Equipment Company, South Bend, Ind.

[**] Term: 14 Years

[21] Appl. No.: 206,213

[22] Filed: Jun. 13, 1988

[52] U.S. Cl. D15/25

[58] Field of Search D15/10, 22, 23, 24, D15/25, 26; 180/89.1, 89.12, 900

[56] References Cited

U.S. PATENT DOCUMENTS

- D. 224,588 8/1972 Baurer D14/3
- D. 247,814 5/1978 Johnson et al. D15/23

- D. 251,088 2/1979 Johnson et al. D15/23
- D. 271,397 11/1983 Kuhn et al. D15/25
- D. 272,826 2/1984 Cochran et al. D15/23
- 4,055,262 10/1977 Bauer et al. 180/89.12
- 4,705,449 11/1987 Christianson et al. D15/25

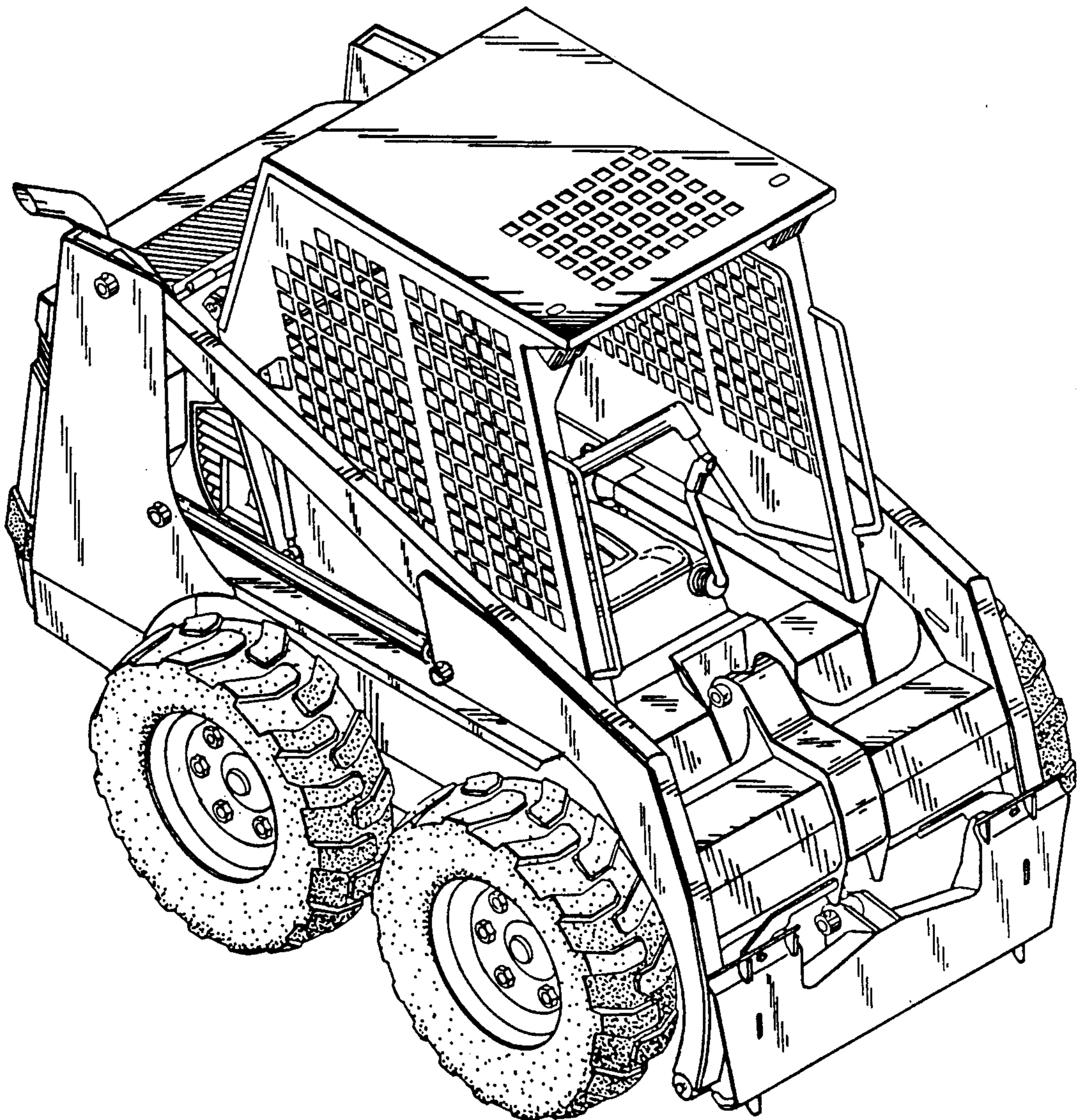
Primary Examiner—B. J. Bullock
Assistant Examiner—Sandra Morris
Attorney, Agent, or Firm—Kinney & Lange

[57] CLAIM

The ornamental design for a skid steer loader, as shown and described.

DESCRIPTION

FIG. 1 is a front perspective view of a skid steer loader showing our new design;
FIG. 2 is a rear perspective view thereof;
FIG. 3 is a front elevational view thereof;
FIG. 4 is a rear elevational view thereof;
FIG. 5 is a left side elevational view thereof;
FIG. 6 is a top plan view thereof;
FIG. 7 is a right side elevational view thereof;
FIG. 8 is a bottom plan view thereof.



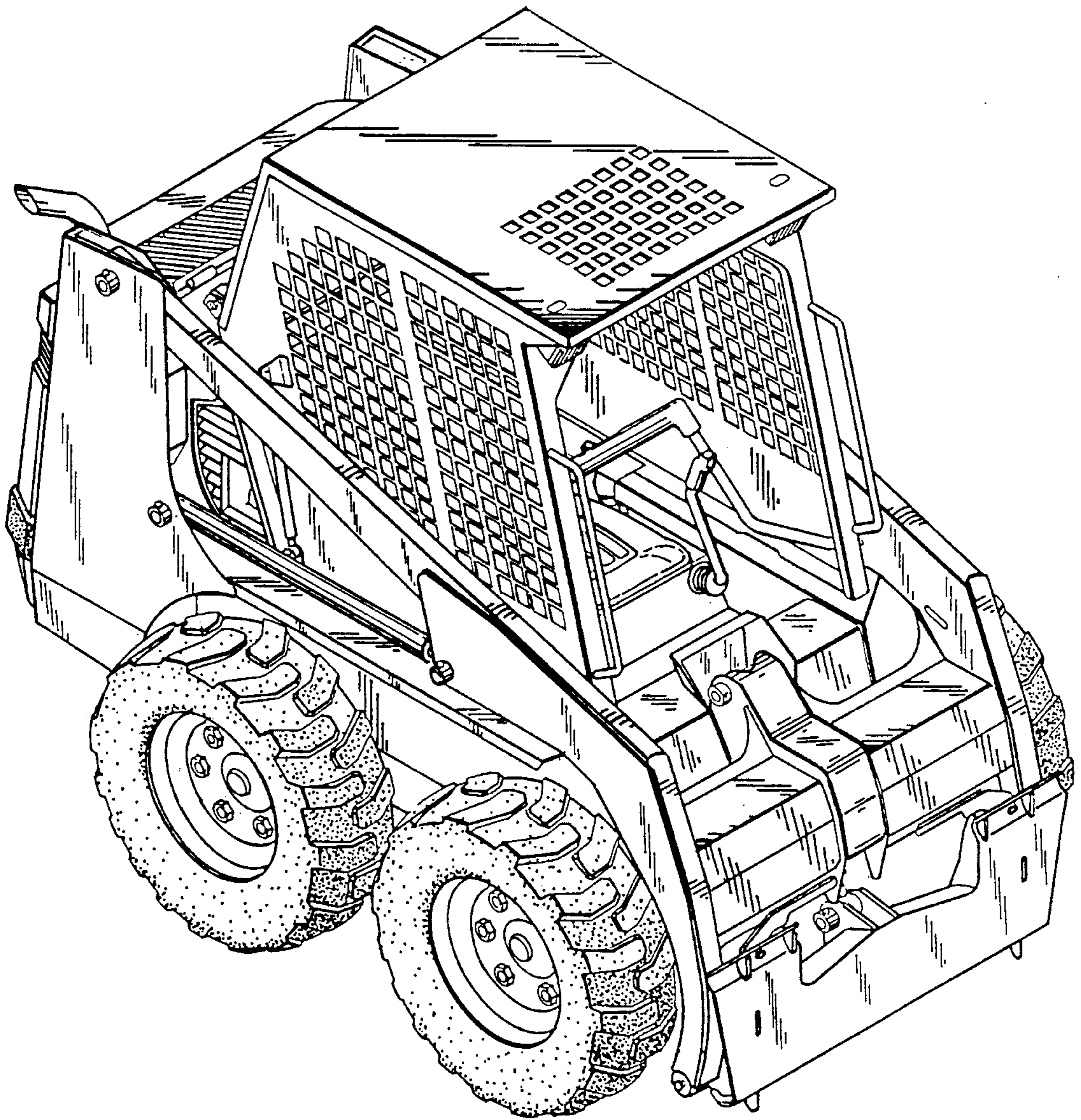


Fig. 1

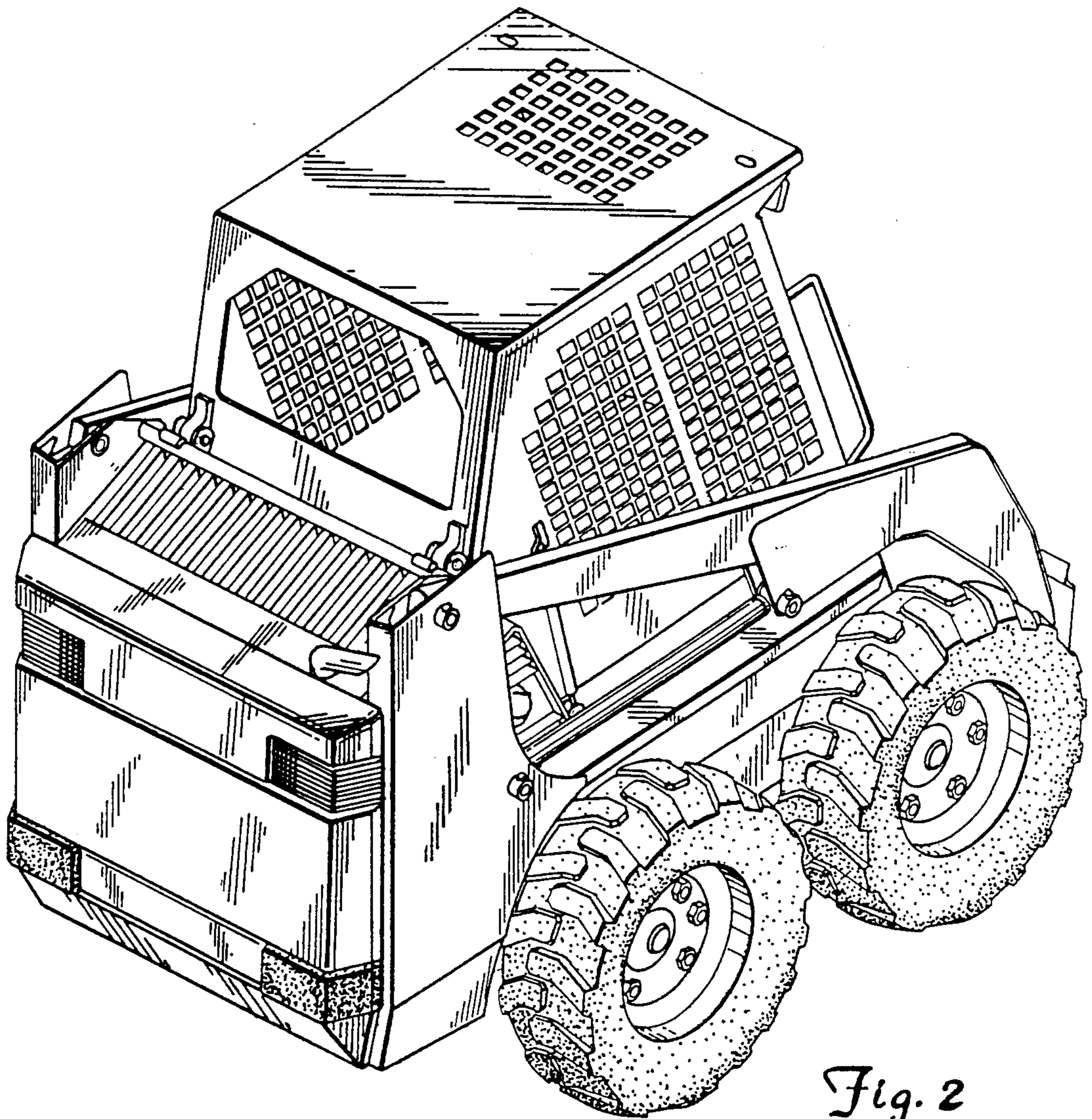


Fig. 2

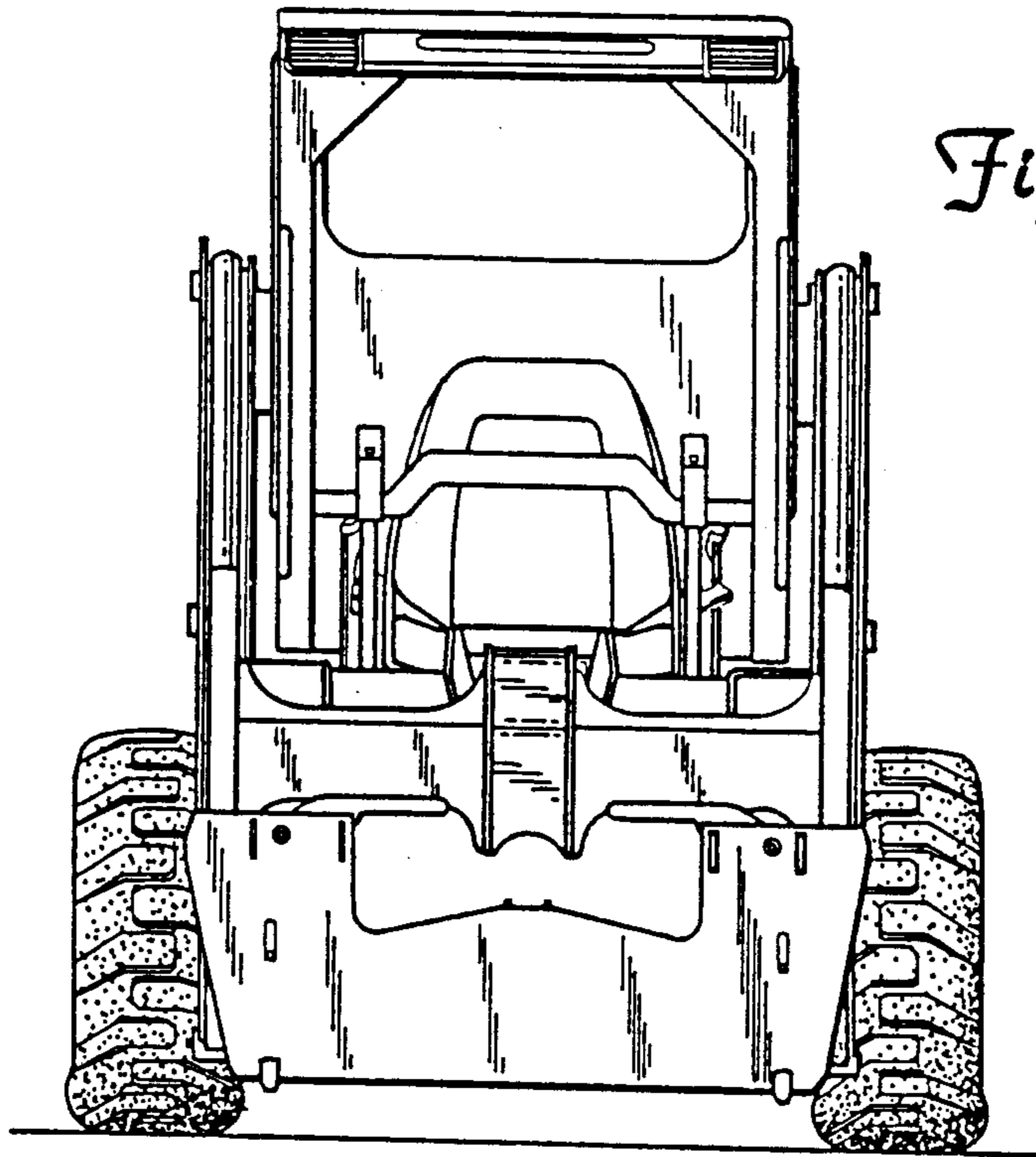


Fig. 3

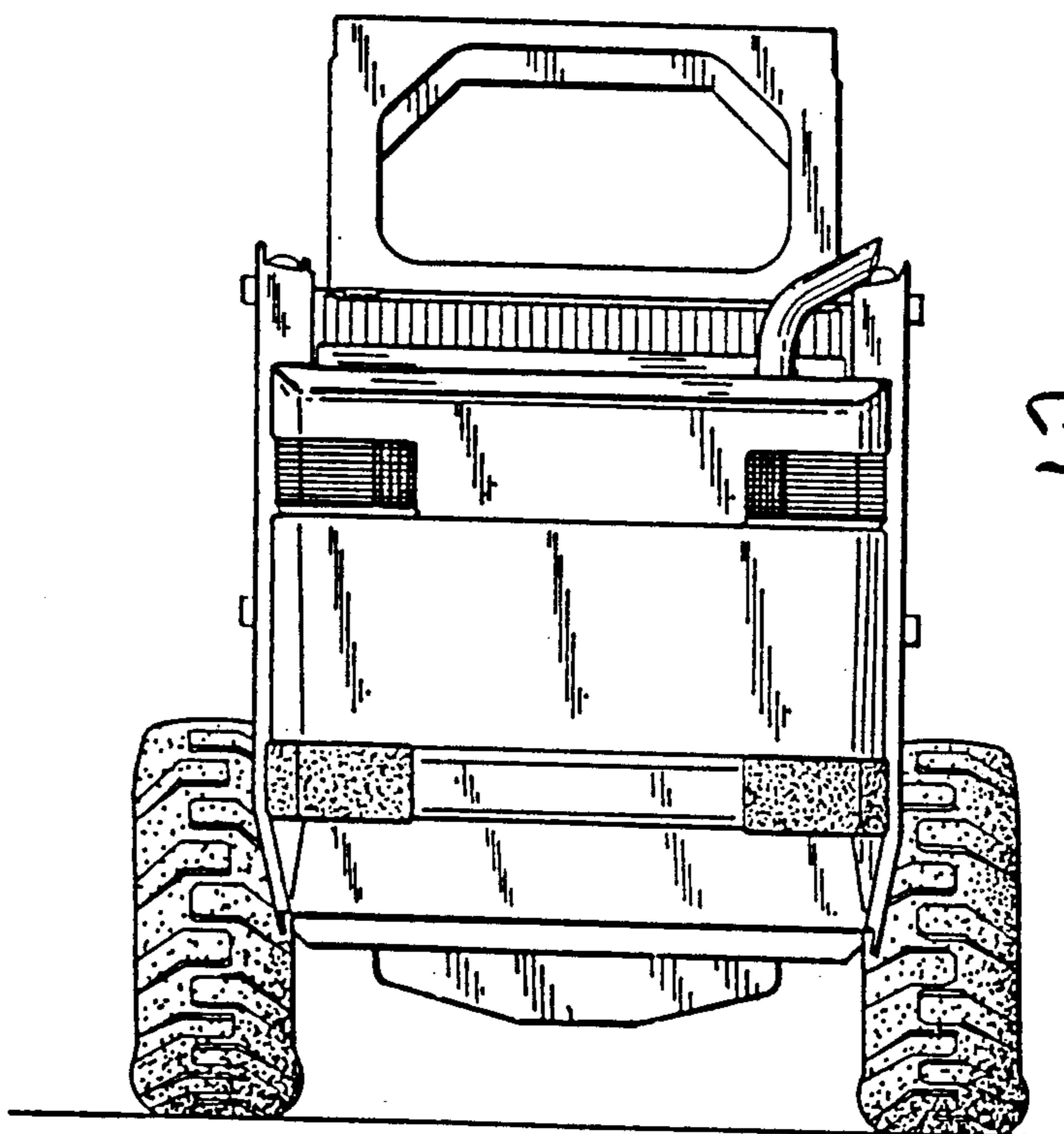


Fig. 4

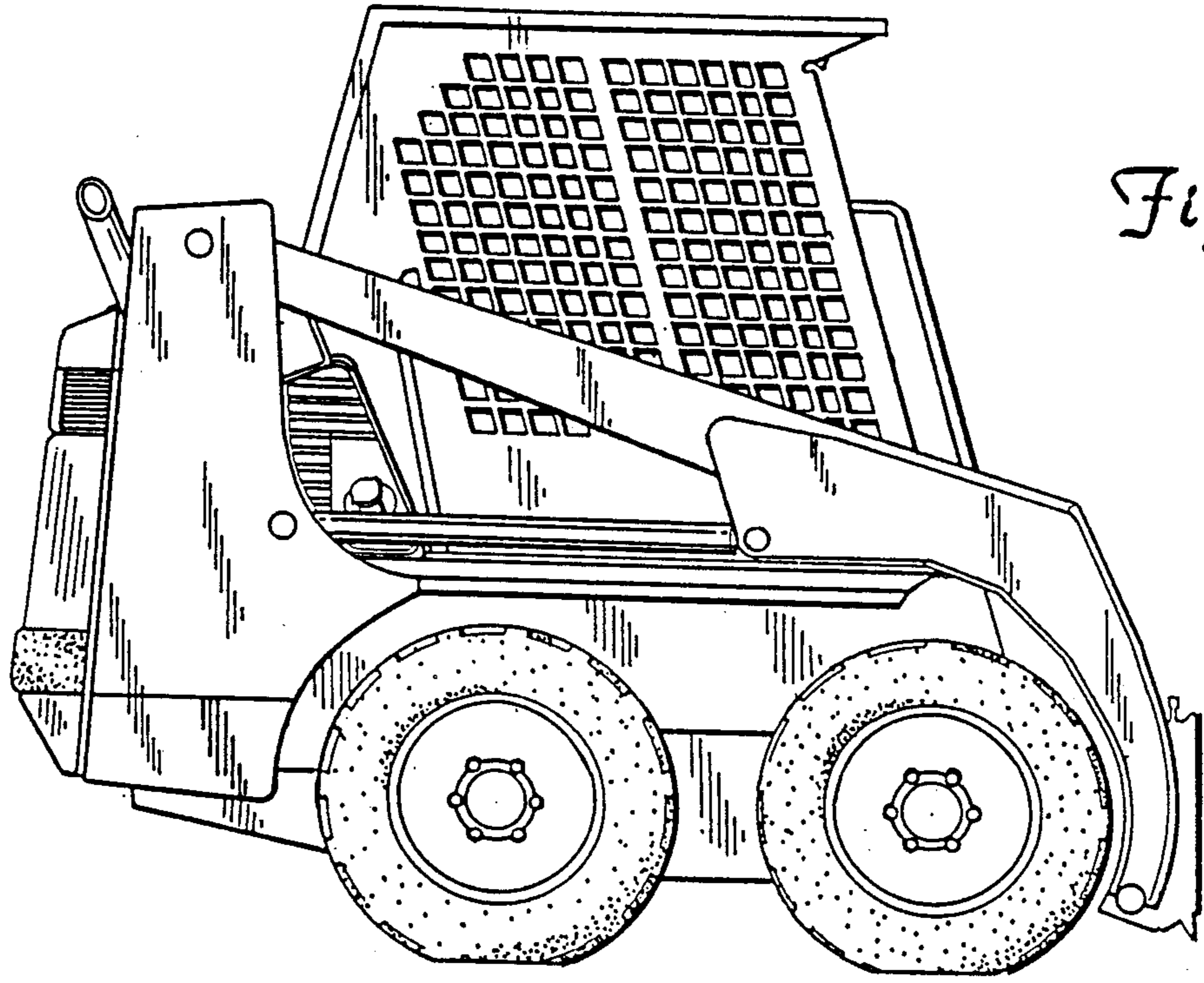


Fig. 5

Fig. 6

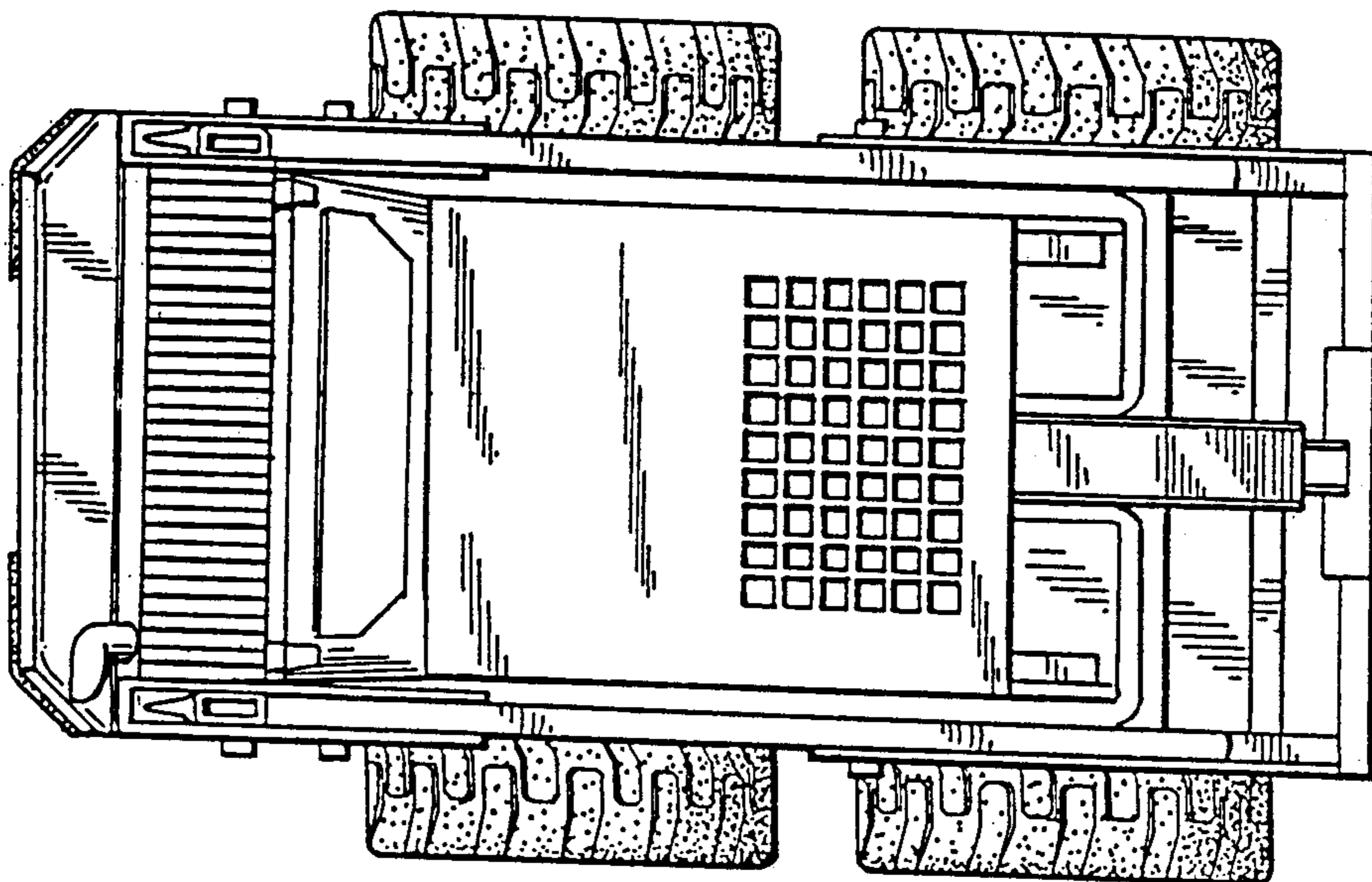


Fig. 7

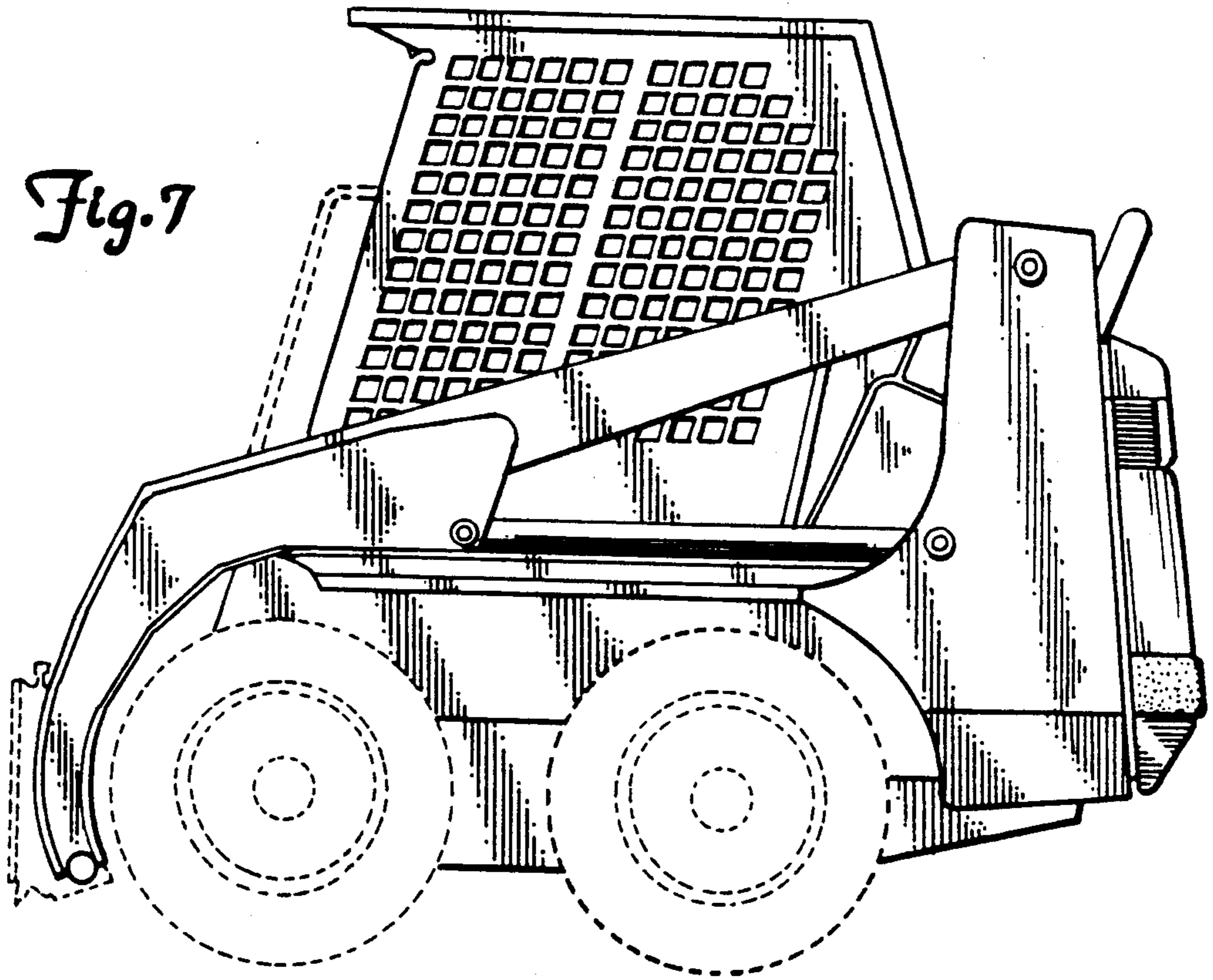
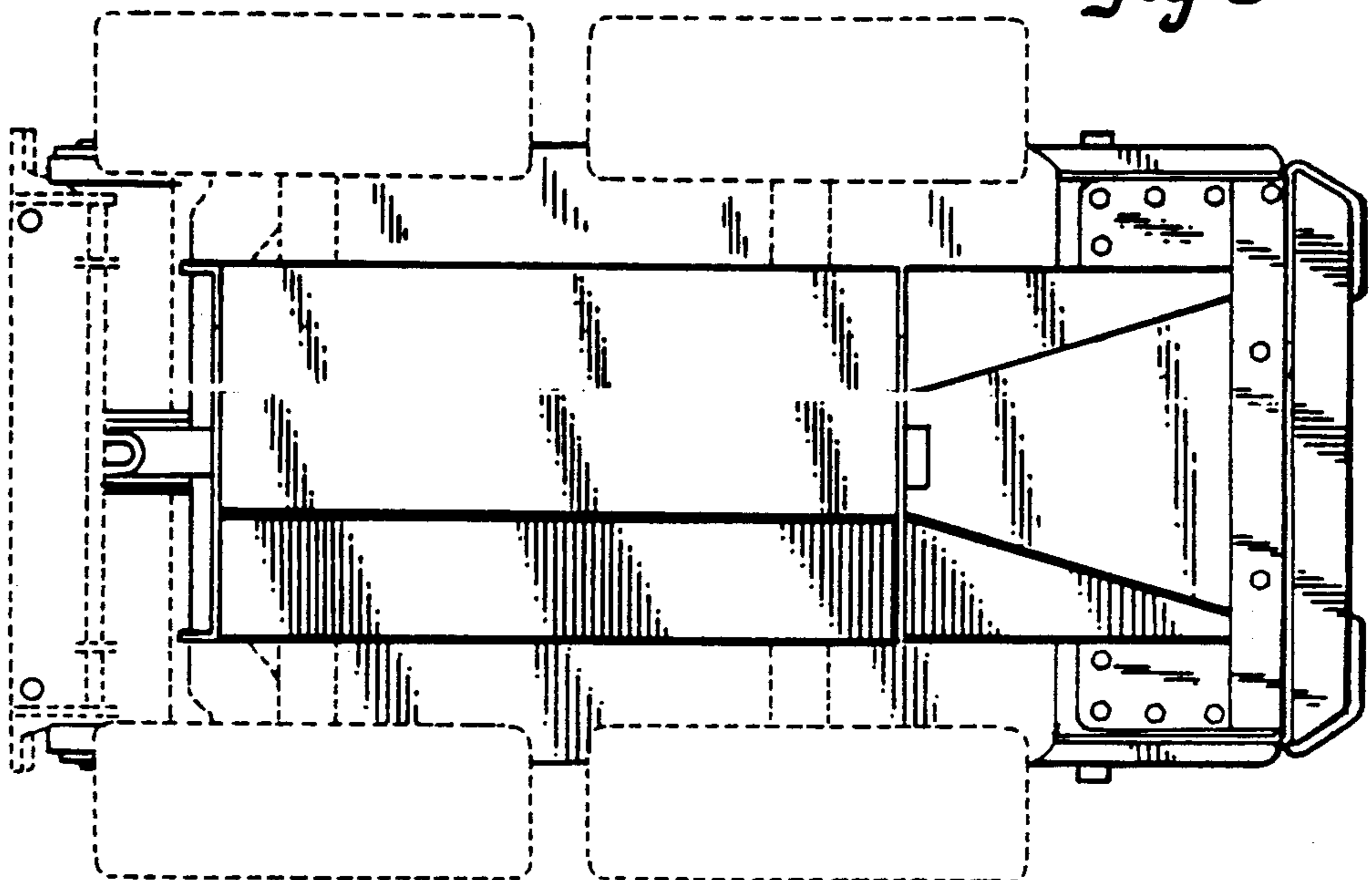


Fig. 8



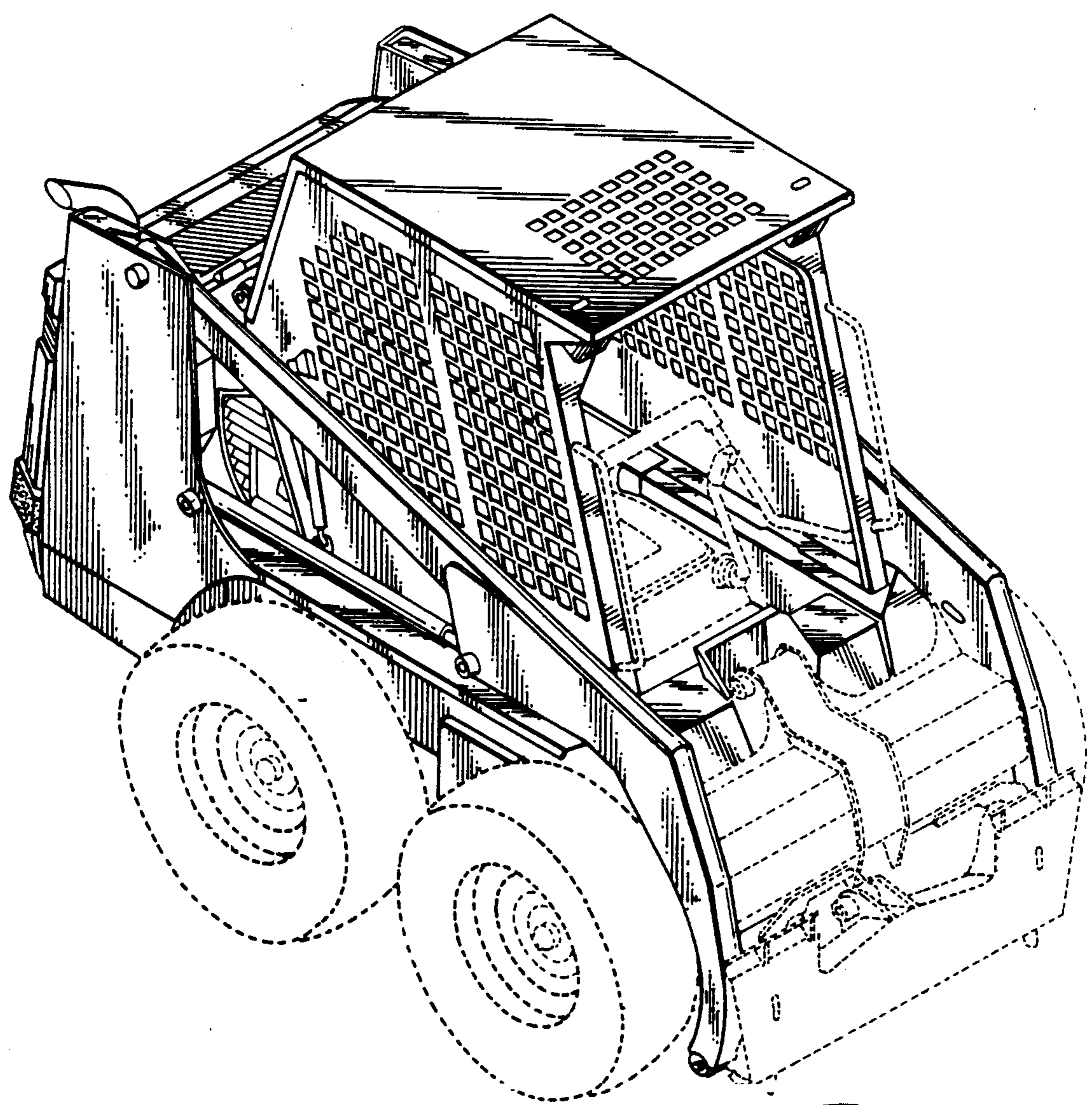


Fig. 9

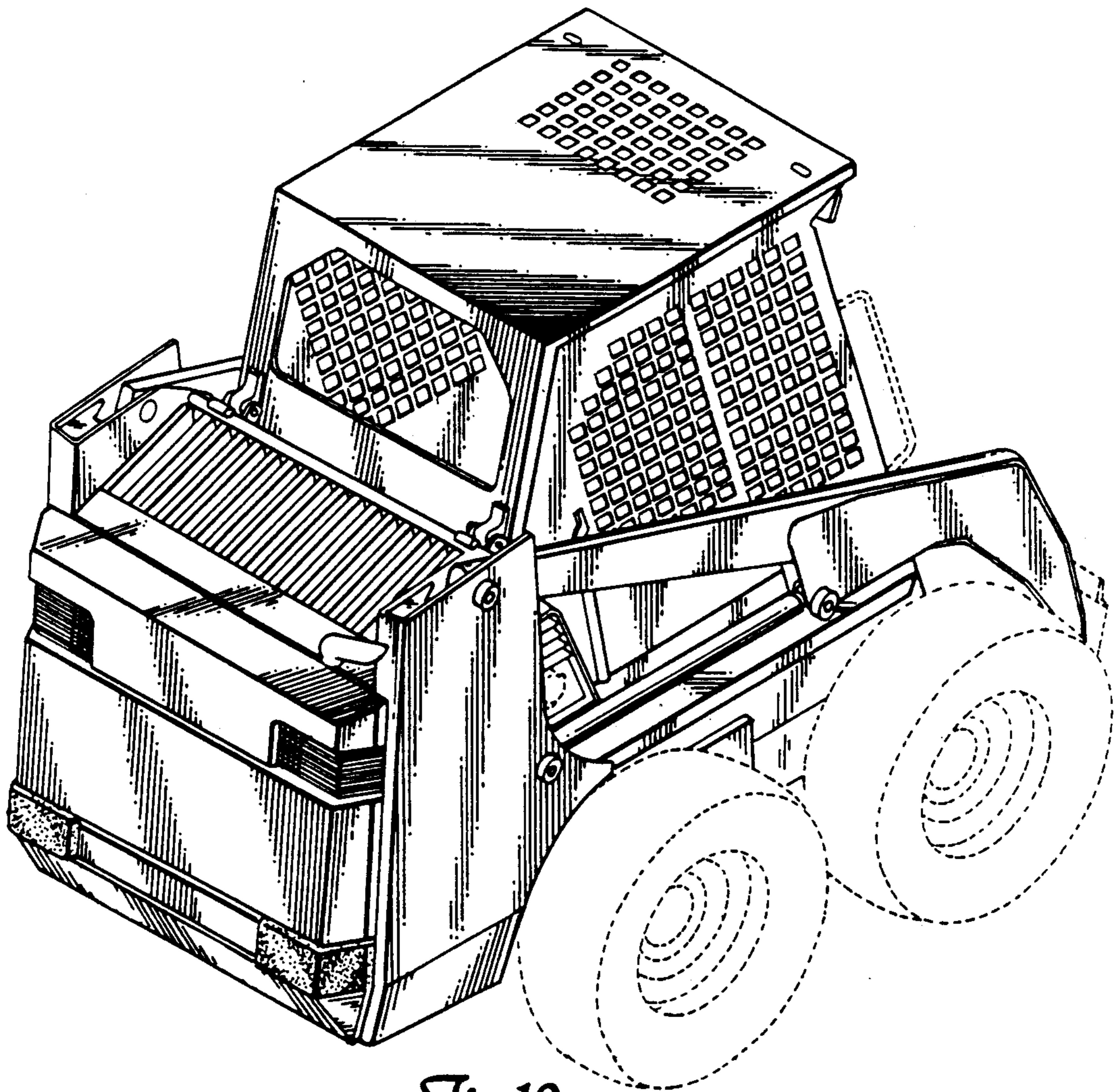


Fig. 10

UNITED STATES PATENT AND TRADEMARK OFFICE
CERTIFICATE OF CORRECTION

PATENT NO. : Des. 314,389
DATED : February 5, 1991
INVENTOR(S) : Carmen P. Lynnes et al.

It is certified that error appears in the above-identified patent and that said Letters Patent is hereby corrected as shown below:

Drawing Sheets, consisting of Figs. 9 and 10, should be deleted.

Signed and Sealed this
Fourteenth Day of July, 1992

Attest:

Attesting Officer

DOUGLAS B. COMER

Acting Commissioner of Patents and Trademarks