

[54] CONTROL HEAD FOR A TWO-WAY  
MOBILE RADIO

[75] Inventor: Richard Culbertson, Lynchburg, Va.

[73] Assignee: General Electric Company,  
Lynchburg, Va.

[\*\*] Term: 14 Years

[21] Appl. No.: 234,834

[22] Filed: Aug. 22, 1988

[52] U.S. Cl. .... D14/257; D14/137

[58] Field of Search ..... D14/124, 137-139,  
D14/157, 159, 191, 218, 251, 257-258, 299;  
455/73, 89, 90, 344, 345, 347, 350, 351

[56] References Cited

U.S. PATENT DOCUMENTS

- D. 194,976 4/1963 Wayteua .
- D. 199,904 12/1964 Nunn .
- D. 207,122 3/1967 Yurdin .
- D. 222,941 2/1972 Knutson .
- D. 230,600 3/1974 Turner .
- D. 243,589 3/1977 Moore .
- D. 278,054 3/1985 Vajdaffy .
- D. 278,690 5/1985 Steensland et al. .
- D. 279,766 7/1985 Honda .
- D. 279,779 7/1985 Taylor ..... D14/137
- D. 282,447 2/1986 Woodhall et al. .
- D. 290,608 6/1987 Fisher ..... D14/191
- D. 293,671 1/1988 Beaumont .
- D. 301,467 6/1989 Pitkonen ..... D14/138
- D. 302,810 8/1989 Vickers et al. .... D14/191

OTHER PUBLICATIONS

Boating, Jan. 1988, p. 44, Si-Tex Loren, Model EZ-97.  
Boating, Jan. 1988, p. 168, Letec Benmar, Model  
FMS300.

Primary Examiner—Theodore M. Shooman  
Attorney, Agent, or Firm—Nixon & Vanderhye

[57] CLAIM

The ornamental design for a control head for a two-way  
mobile radio, as shown and described.

DESCRIPTION

FIG. 1 is a top, front and left side perspective view of a  
control head for a two-way mobile radio showing my  
new design;

FIG. 2 is a left side elevational view thereof;

FIG. 3 is a front elevational view thereof;

FIG. 4 is a right side elevational view thereof;

FIG. 5 is a top plan view thereof, rotated 180° from  
FIG. 3;

FIG. 6 is a rear elevational view thereof;

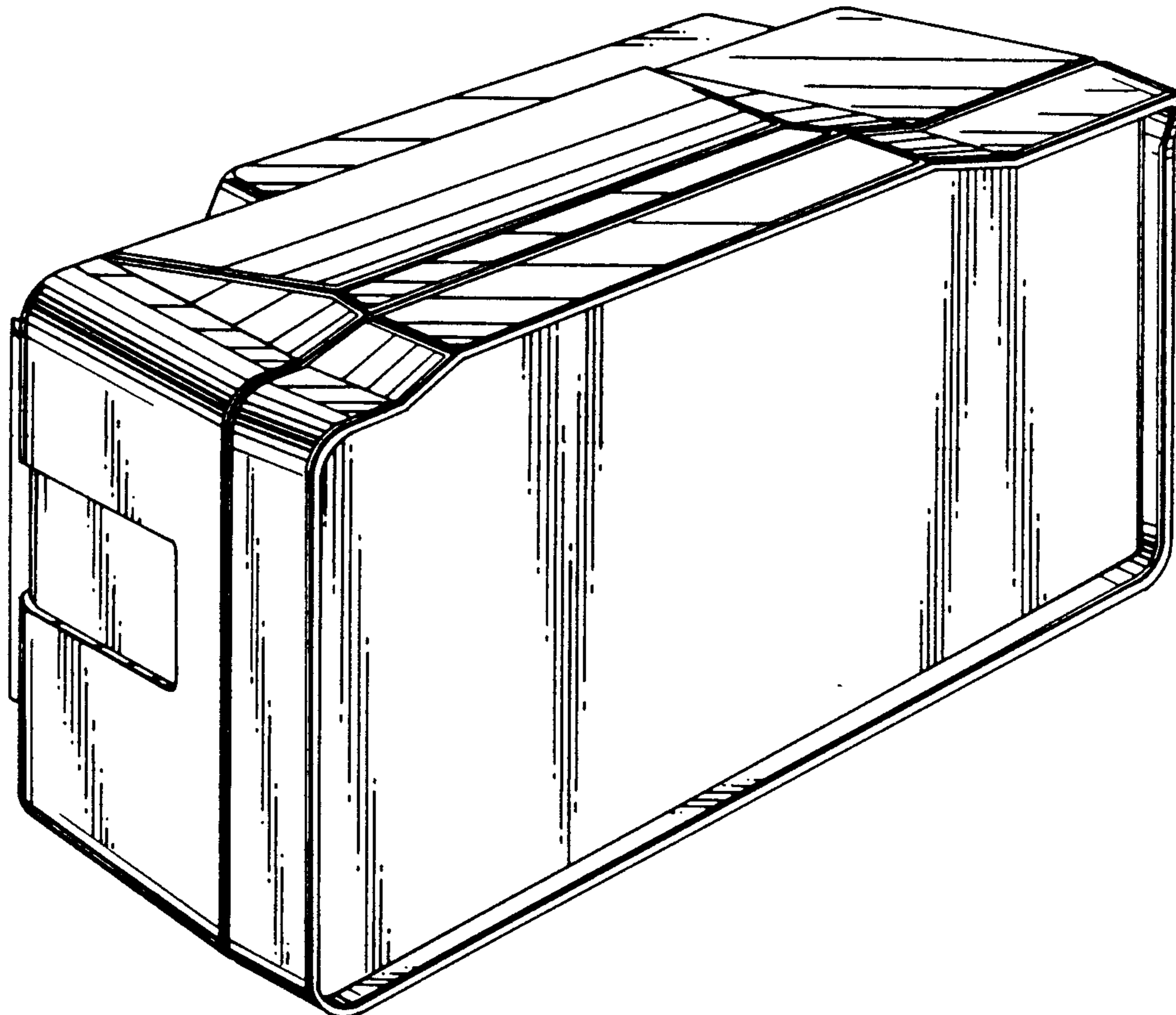
FIG. 7 is a bottom plan view thereof, rotated 180° from  
FIG. 3;

FIG. 8 is a front elevational view of a second embodi-  
ment of the control head illustrated in FIG. 1;

FIG. 9 is a front elevational view of a third embodi-  
ment of the control head illustrated in FIG. 1;

FIG. 10 is a front elevational view of a fourth embodi-  
ment of the control head illustrated in FIG. 1;

The left side, right side, rear, top and bottom views of  
the embodiments disclosed in FIGS. 8, 9 and 10 are  
identical to the corresponding views of the embodiment  
disclosed in FIG. 1.



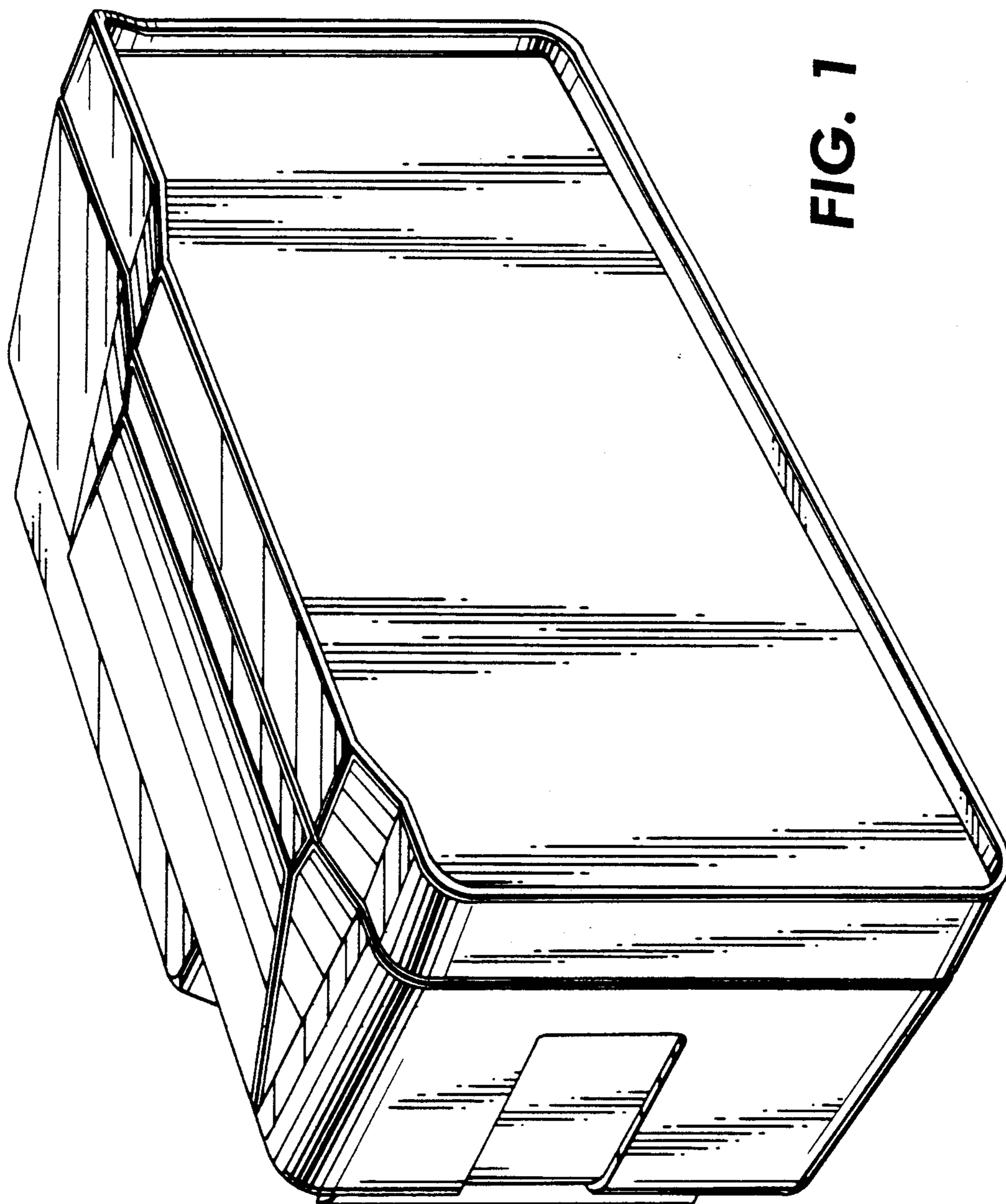
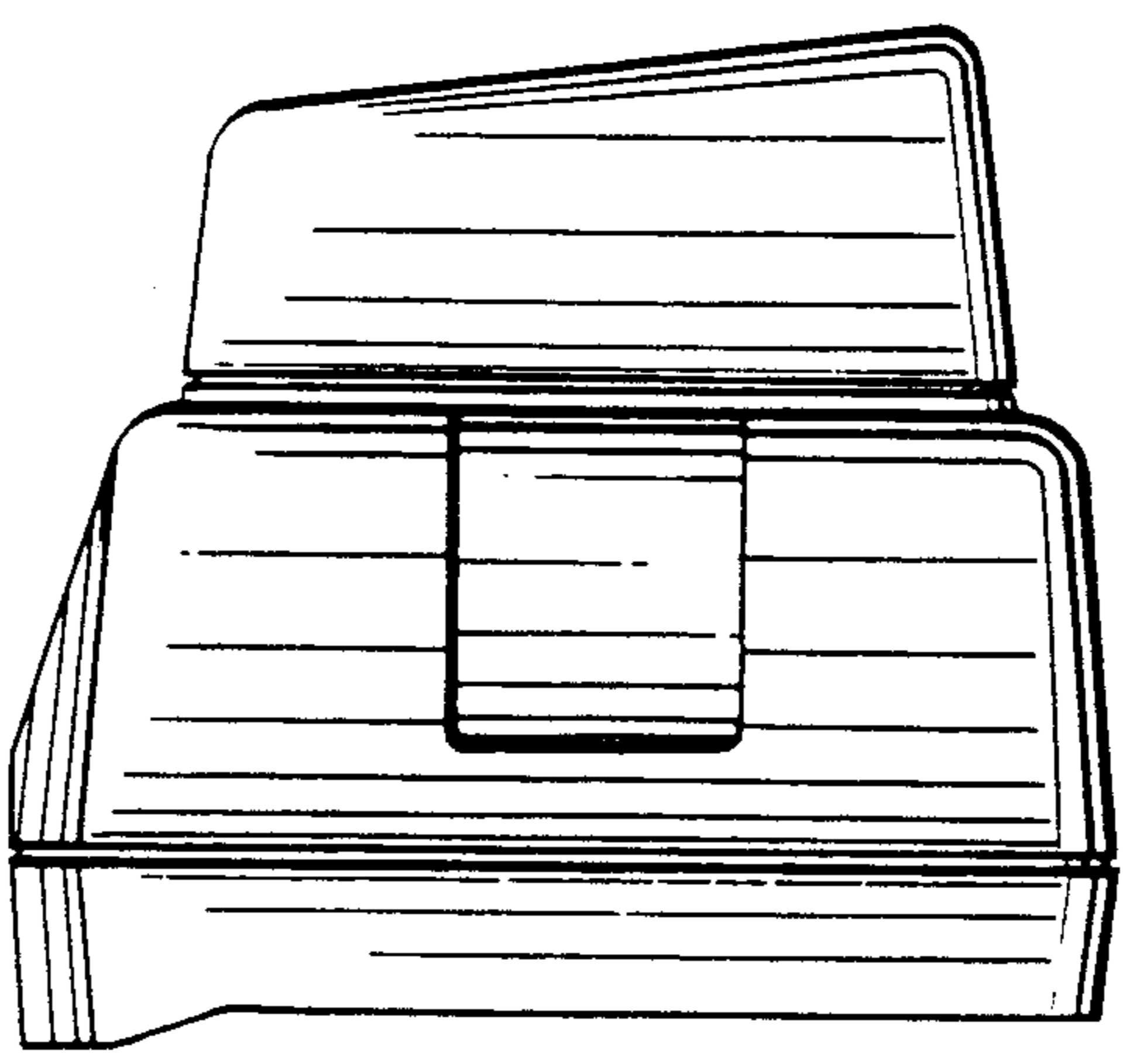
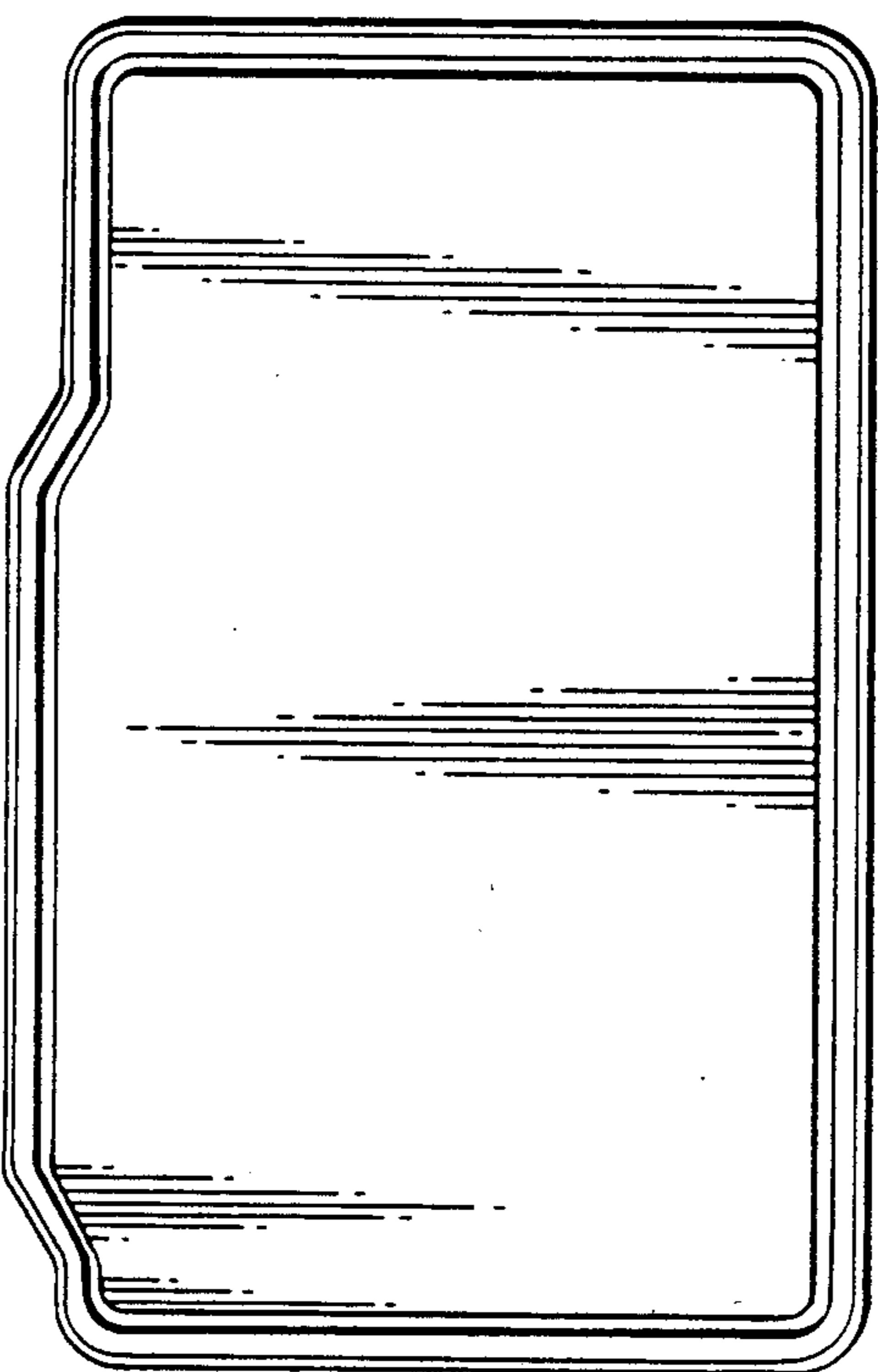


FIG. 1

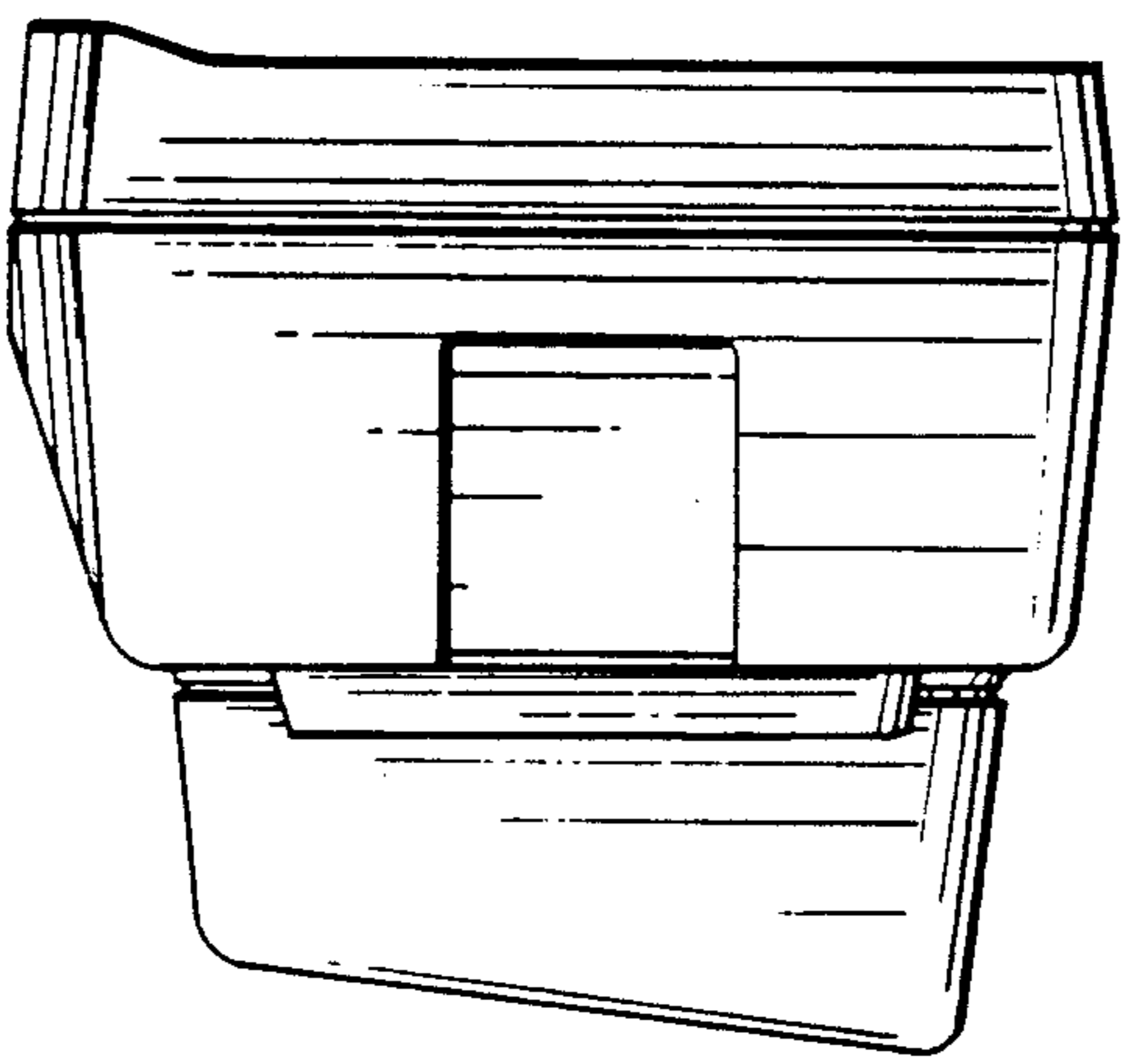
**FIG. 4**

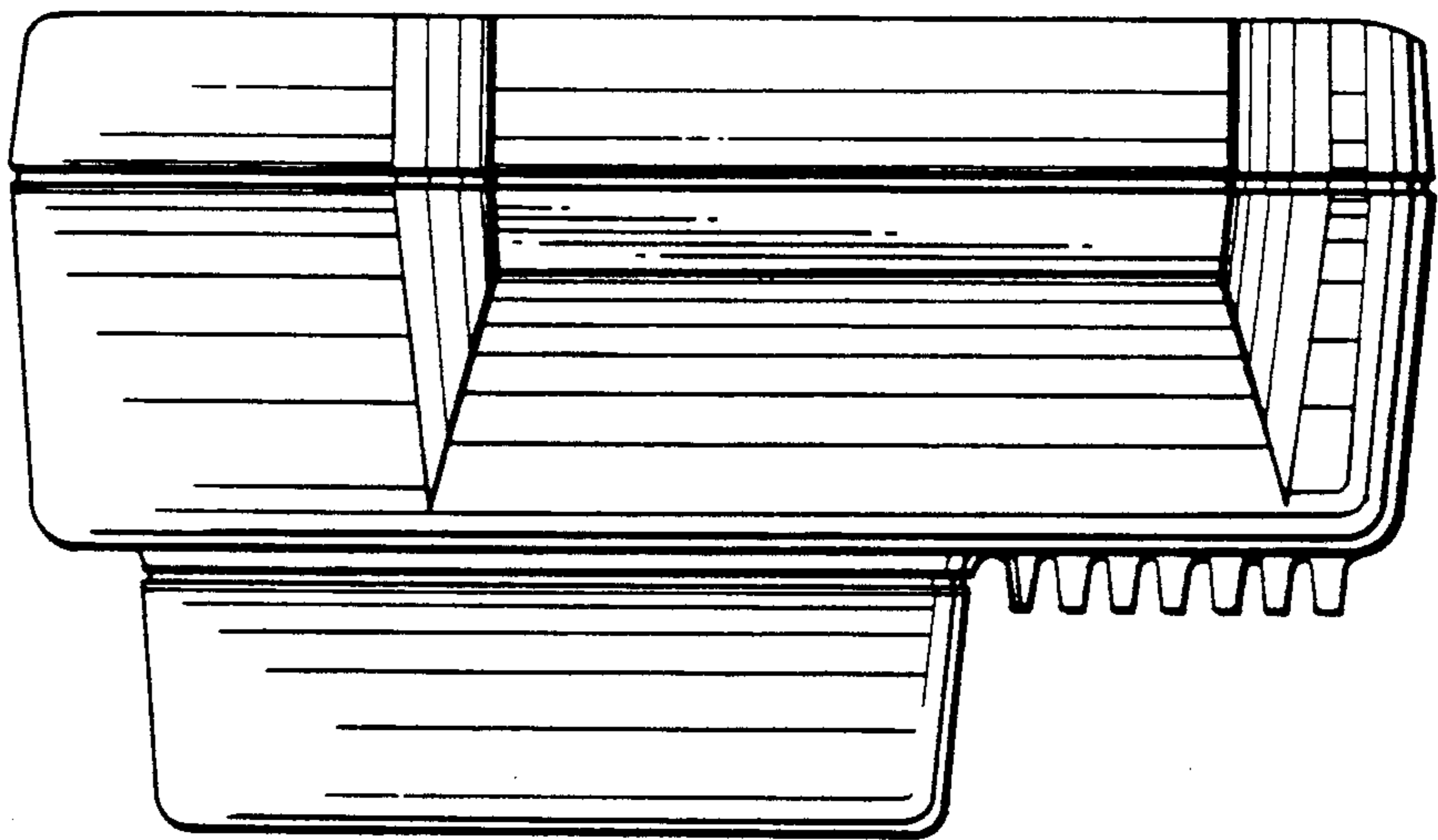


**FIG. 3**

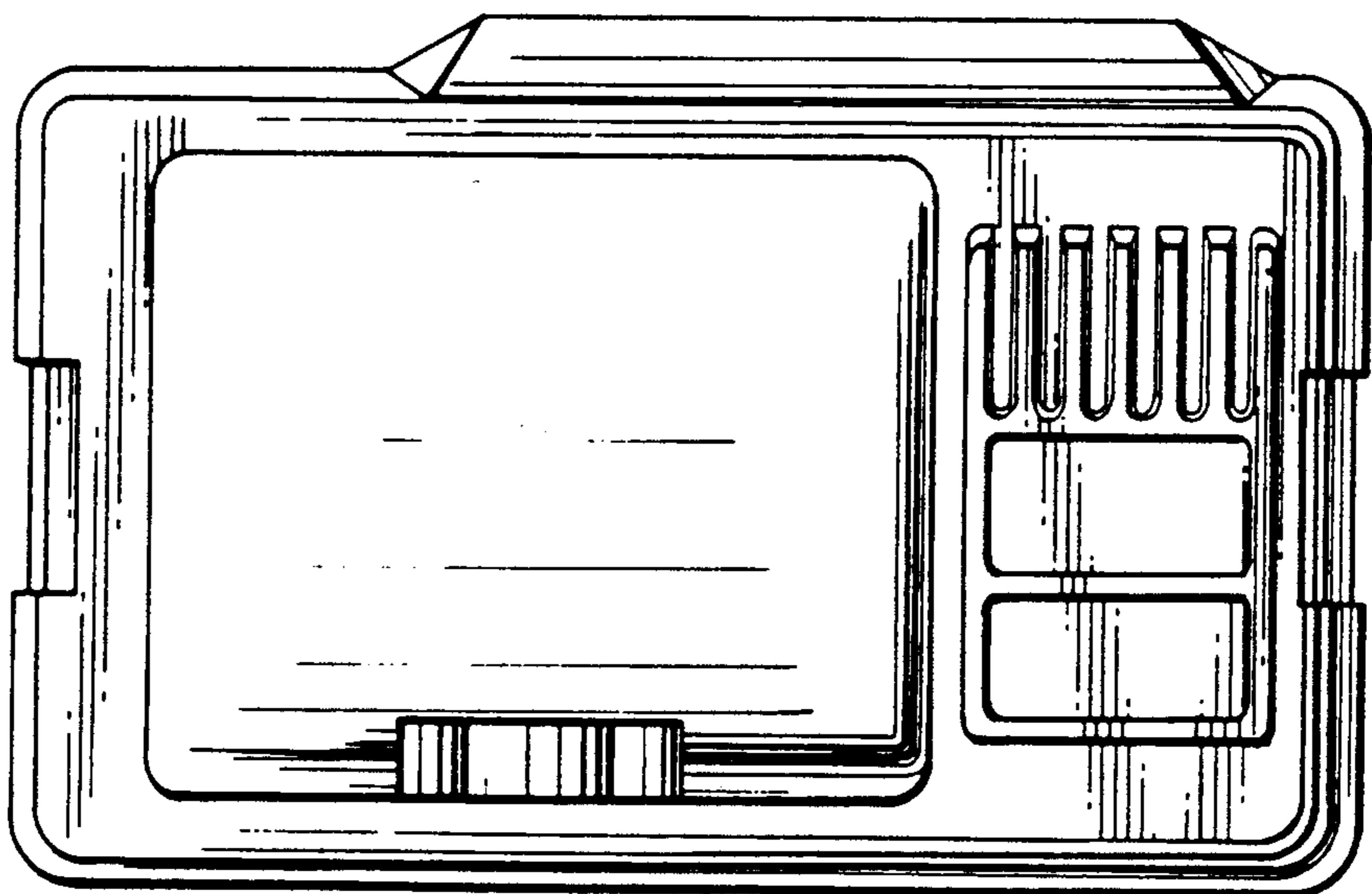


**FIG. 2**

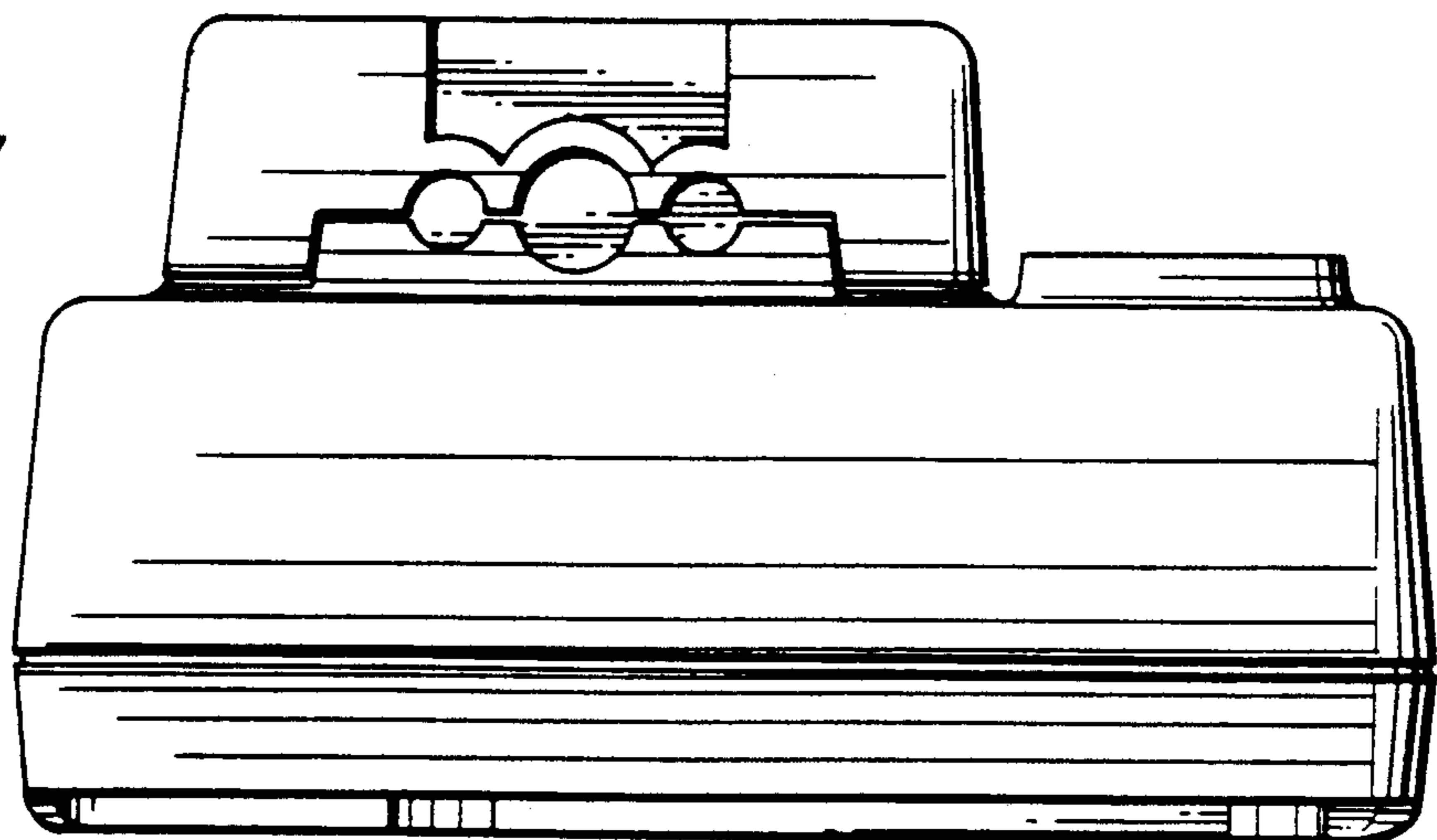




**FIG. 5**

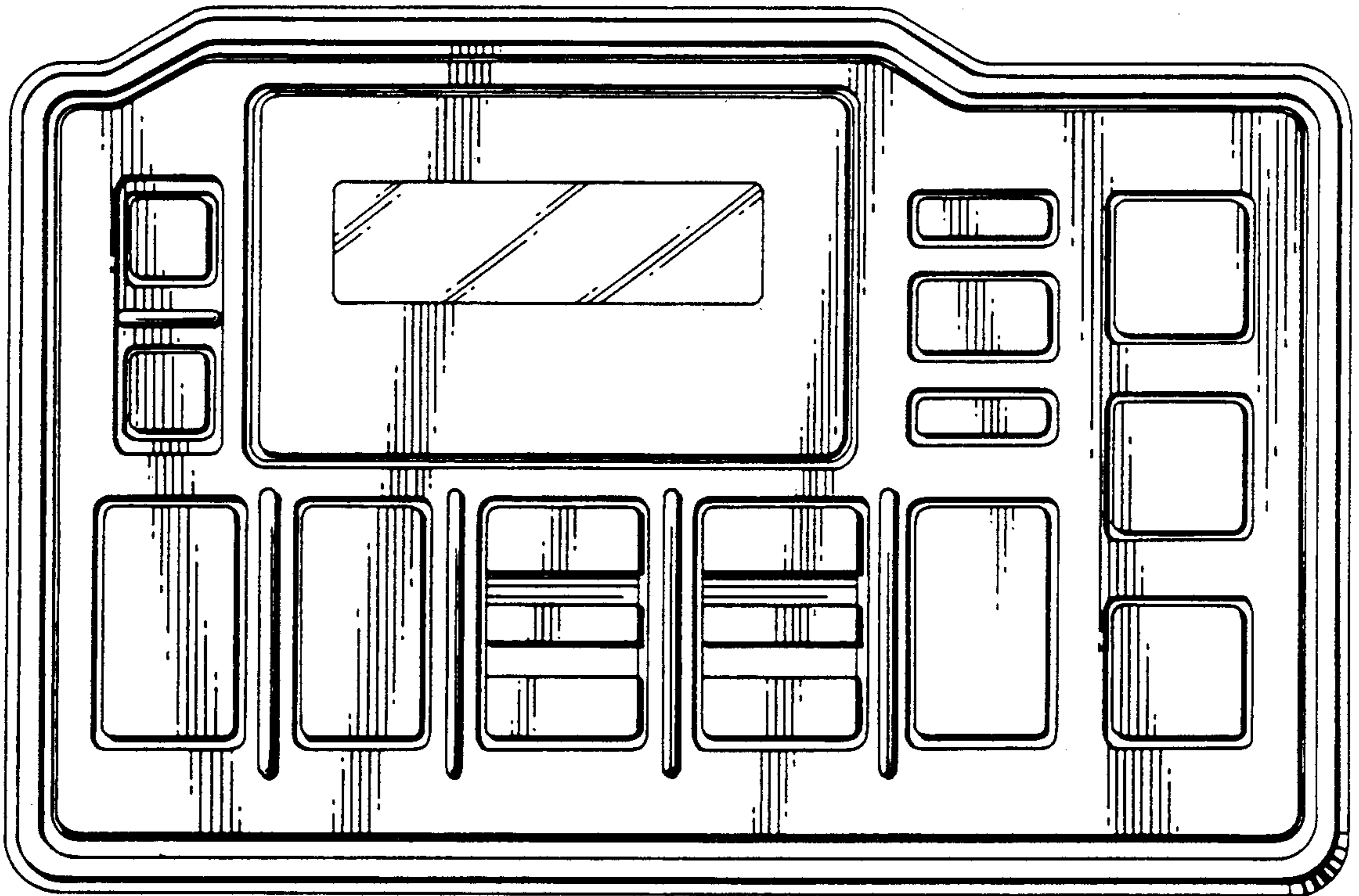


**FIG. 6**

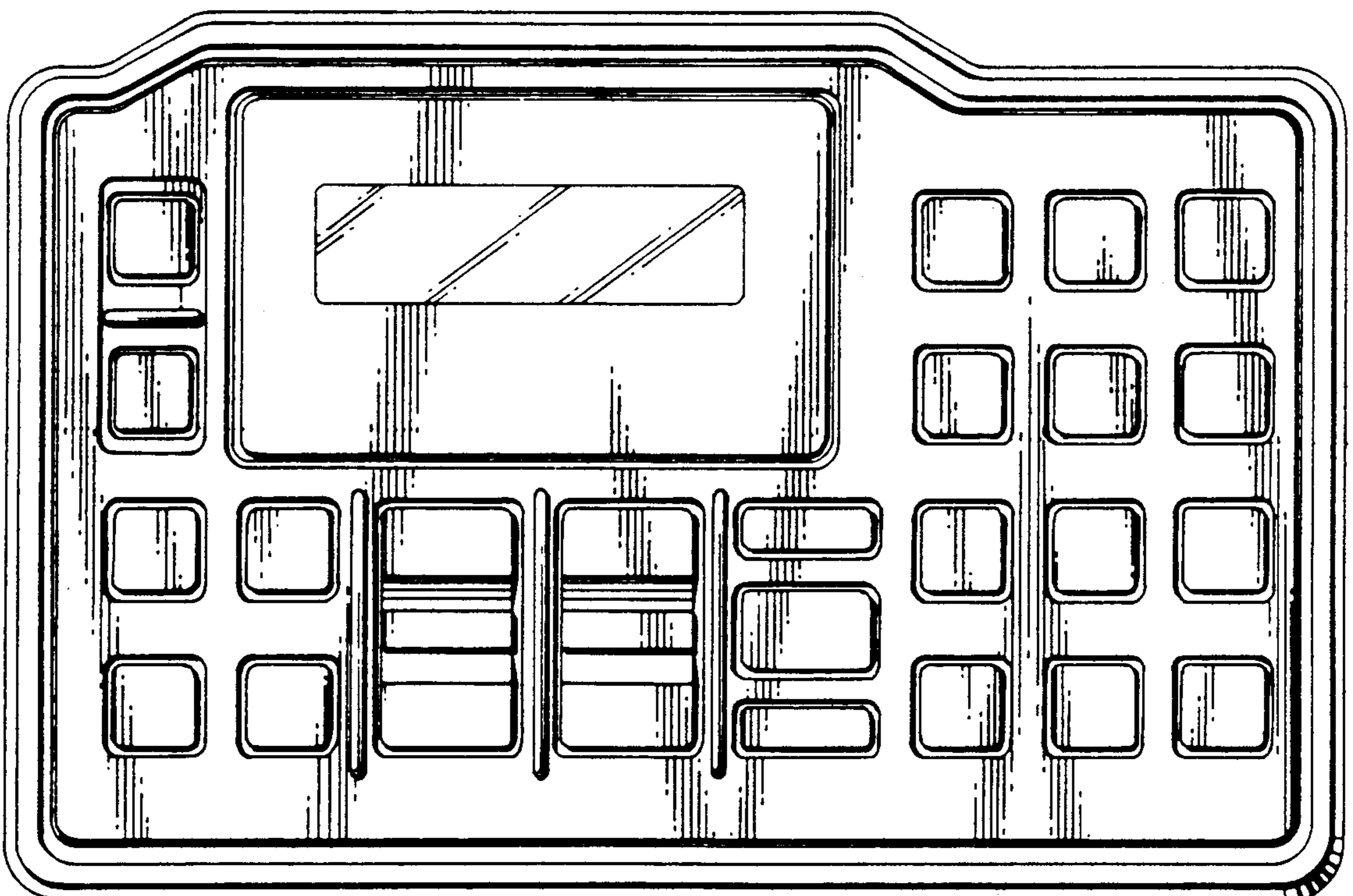


**FIG. 7**

**FIG. 8**



**FIG. 9**



**FIG. 10**

