

# United States Patent [19]

Watanabe et al.

[11] Patent Number: **Des. 314,377**

[45] Date of Patent: **\*\* Feb. 5, 1991**

[54] **FACSIMILE TRANSMITTER-RECEIVER**

[75] Inventors: **Hiroaki Watanabe, Kawasaki;**  
**Hiroshi Fushimi, Tokyo, both of**  
**Japan**

[73] Assignee: **Ricoh Company, Ltd., Tokyo, Japan**

[\*\*] Term: **14 Years**

[21] Appl. No.: **454,844**

[22] Filed: **Dec. 22, 1989**

[30] **Foreign Application Priority Data**

Jun. 30, 1989 [JP] Japan ..... 1-24156

[52] U.S. Cl. .... **D14/118**

[58] Field of Search ..... **D14/118, 279; D18/36,**  
**D18/37; 358/400, 401**

[56] **References Cited**

**U.S. PATENT DOCUMENTS**

D. 299,494 1/1989 Tsuruoka ..... D14/118

D. 301,879 6/1989 Ooie et al. .... D14/118

D. 304,450 11/1989 Hosogai et al. .... D14/118

D. 304,578 11/1989 Saegusa et al. .... D14/118

D. 306,018 2/1990 Hara et al. .... D14/118

**OTHER PUBLICATIONS**

Modern Office Technology; Dec. 1986; p. 37; Toshiba Model TF-341.

Office Products Dealer; Jun. 1987; p. 94; center-Murata ImageMaster II.

The Office; Nov. 1987; p. 42; Ricoh Facsimile.

*Primary Examiner*—Theodore M. Shooman

*Attorney, Agent, or Firm*—Oblon, Spivak, McClelland, Maier & Neustadt

[57] **CLAIM**

The ornamental design for a facsimile transmitter-Receiver, as shown.

**DESCRIPTION**

FIG. 1 is a top, front and right side perspective view of facsimile transmitter-receiver showing our new design; FIG. 2 is a bottom, rear and left side perspective view thereof.

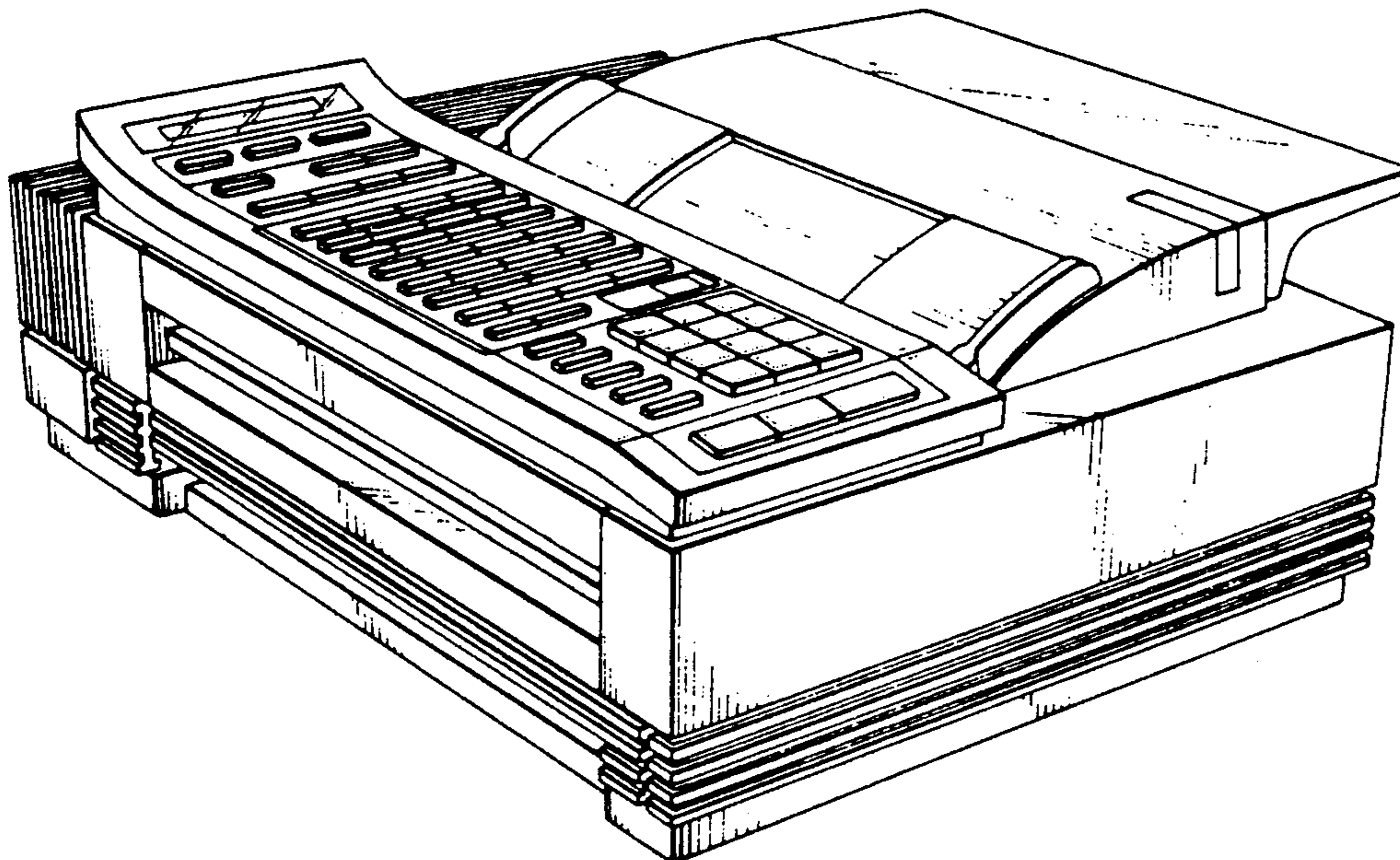


FIG. 1

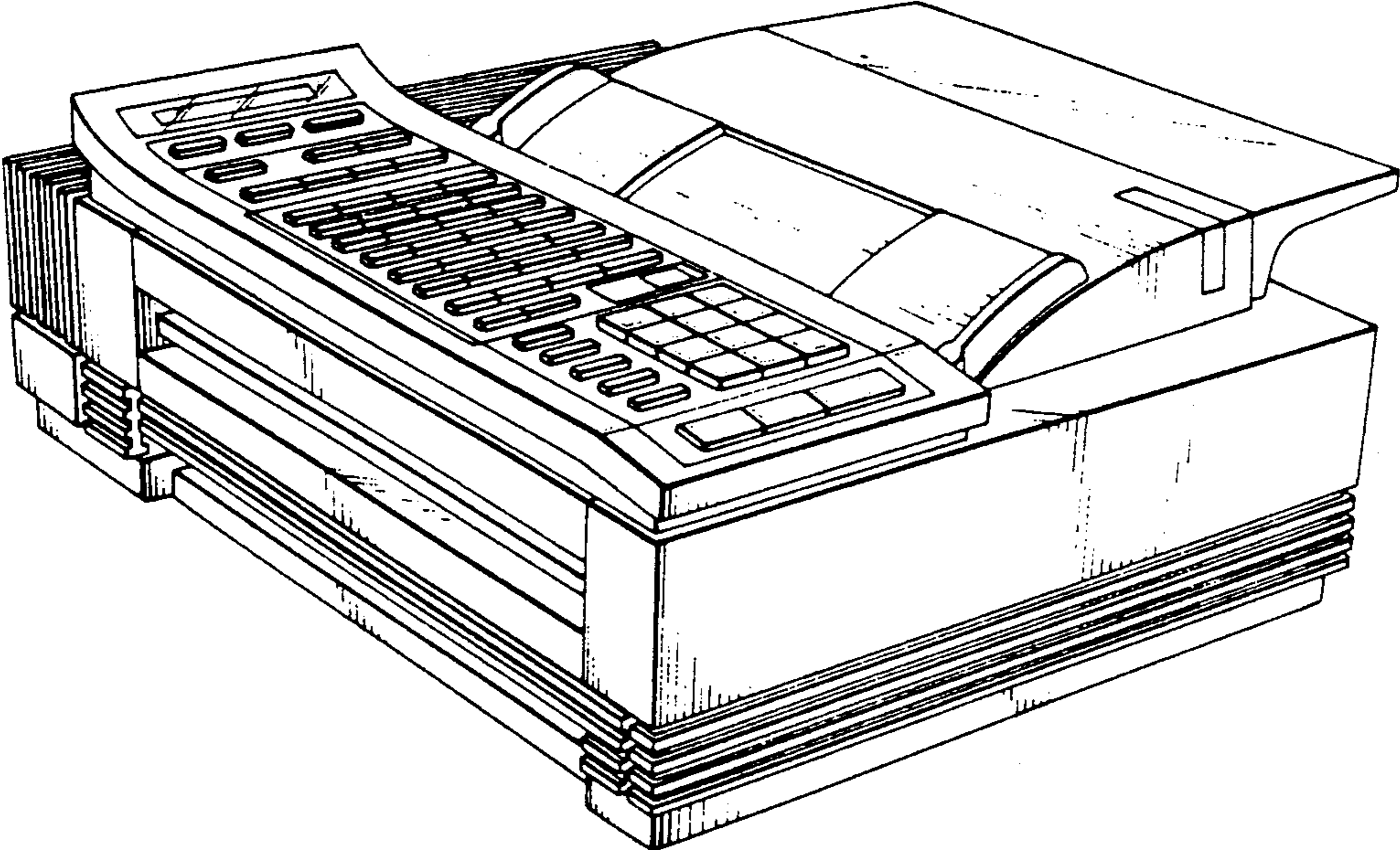


FIG. 2

