

[54] VIDEO DISPLAY

[75] Inventors: James E. Sacherman, Palo Alto; Jonathan C. Burke, San Francisco, both of Calif.

[73] Assignee: Wyse Technology Inc., San Jose, Calif.

[**] Term: 14 Years

[21] Appl. No.: 198,382

[22] Filed: May 25, 1988

[52] U.S. Cl. D14/113

[58] Field of Search D14/100, 101, 102, 103, D14/105, 106, 107, 113-115; D18/1, 7, 11, 12; 340/700, 706, 711, 712; 341/22, 23; 358/249, 254; 364/706-710

[56] References Cited

U.S. PATENT DOCUMENTS

- D. 277,383 1/1985 Boudreau et al. D14/113
- D. 289,651 5/1987 Nuttall et al. D14/106 X
- D. 290,008 5/1987 Mowrer D14/101 X
- D. 294,944 3/1988 Chu D14/113

OTHER PUBLICATIONS

The Blue Book, 1985, p. 84, TeleVideo Terminal.

Computer Products-Feb. 1987, p. 3-The Liberty Terminal.

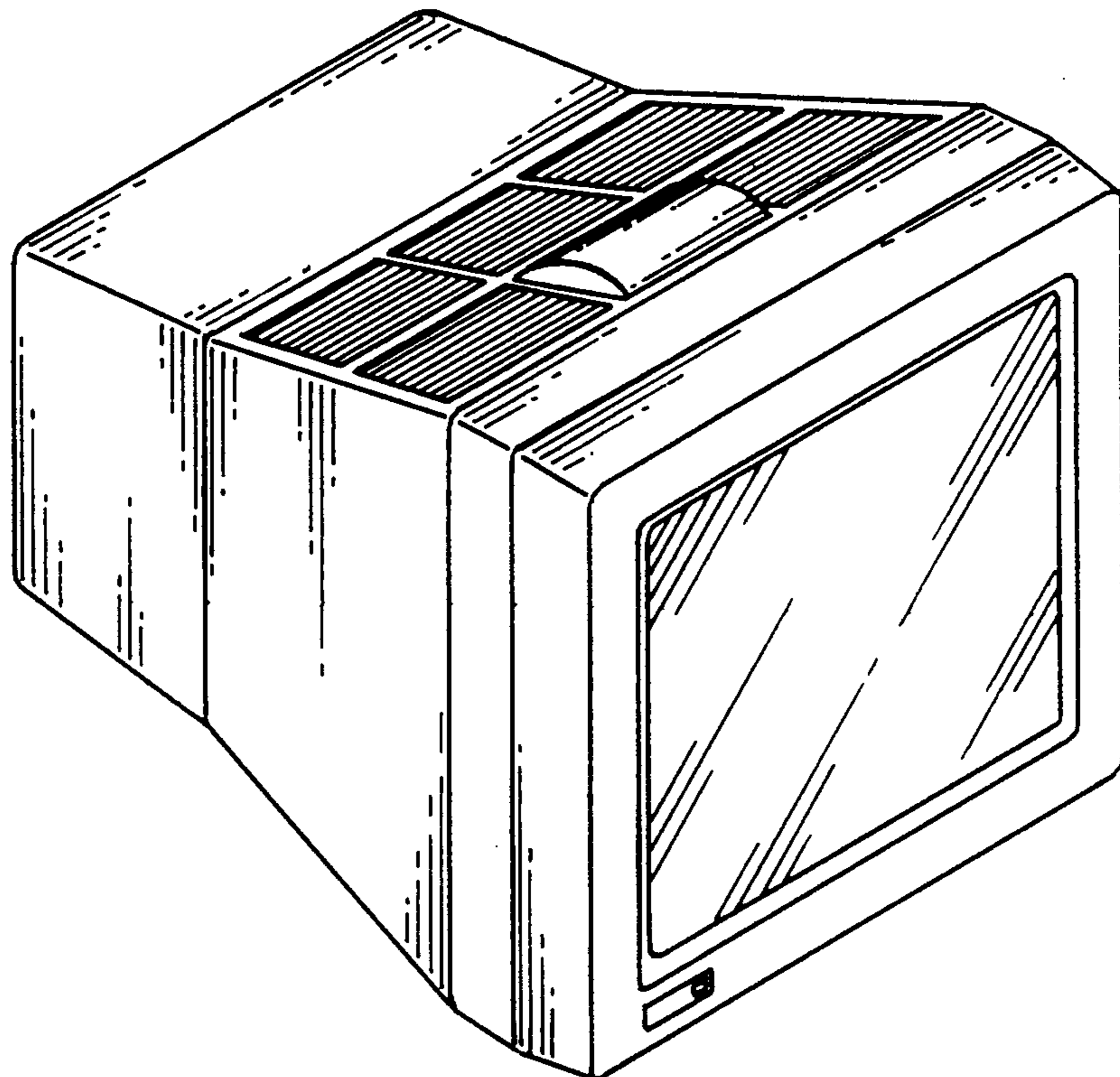
Primary Examiner—Wallace R. Burke
Assistant Examiner—Freda S. Nunn
Attorney, Agent, or Firm—Harrison & Eakin

[57] CLAIM

The ornamental design for a video display, as shown and described.

DESCRIPTION

FIG. 1 is a front elevational view of a video display showing our new design;
 FIG. 2 is a right side elevational view thereof;
 FIG. 3 is a left side elevational view thereof;
 FIG. 4 is a rear elevational view thereof;
 FIG. 5 is a top plan view thereof;
 FIG. 6 is a front elevational view of a second embodiment of our new design;
 FIG. 7 is a right side elevational view thereof;
 FIG. 8 is a left side elevational view thereof;
 FIG. 9 is a rear elevational view thereof.
 FIG. 10 is a top plan view thereof.
 FIG. 11 is an enlarged top, front, left side perspective view of the first embodiment of our new design;
 FIG. 12 is an enlarged top, front, left side perspective view of the second embodiment of our new design.



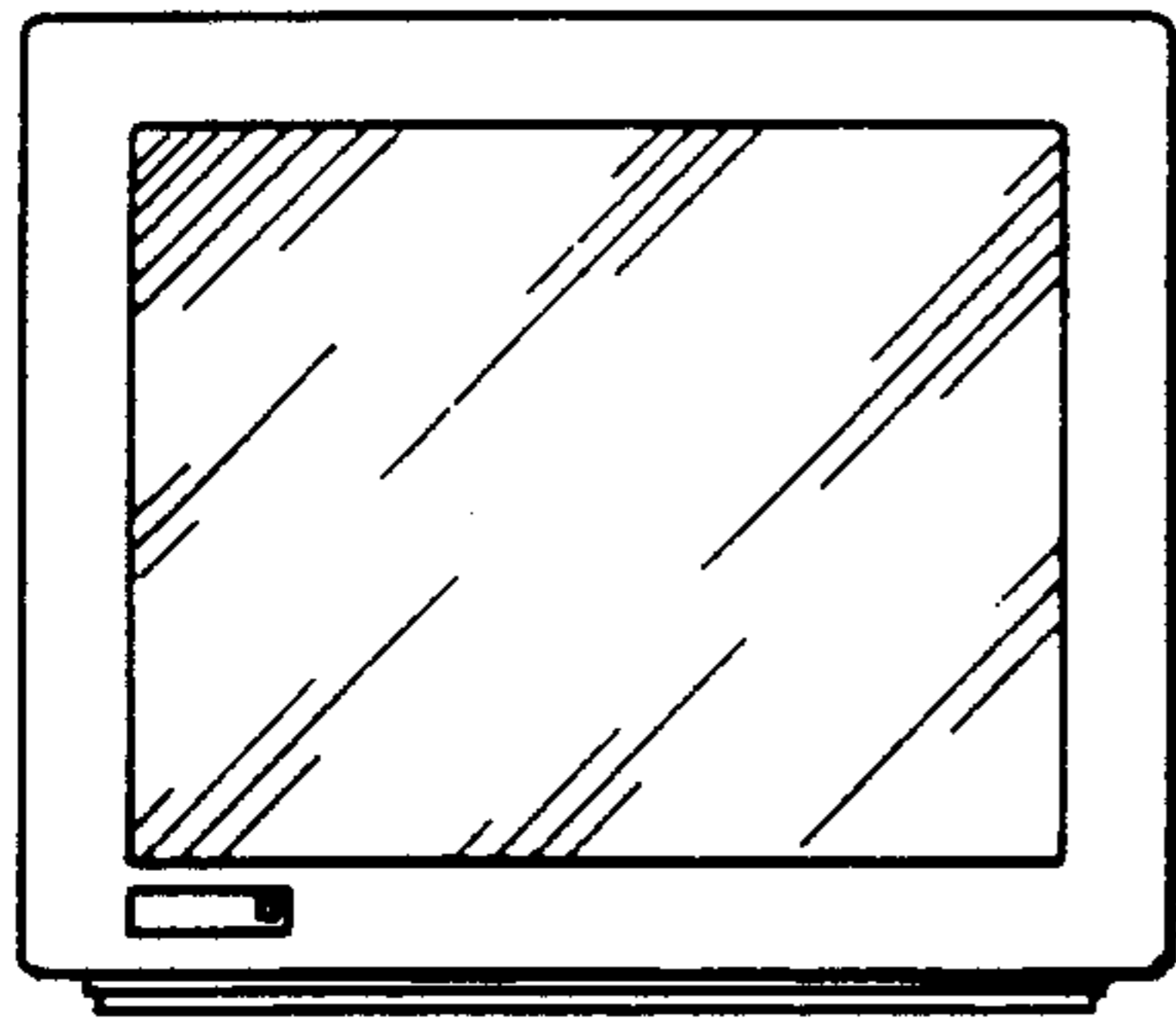


FIG. 1

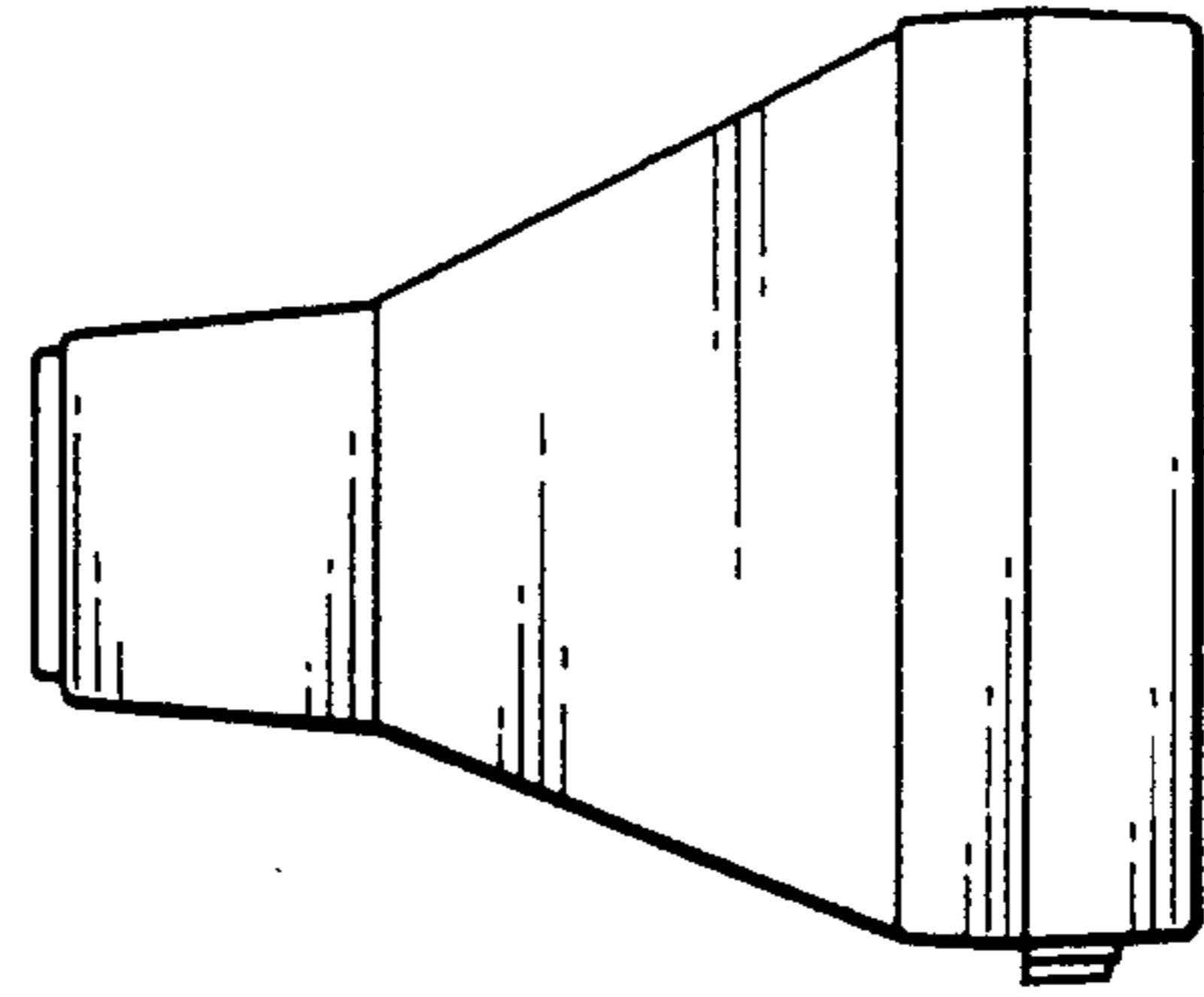


FIG. 2

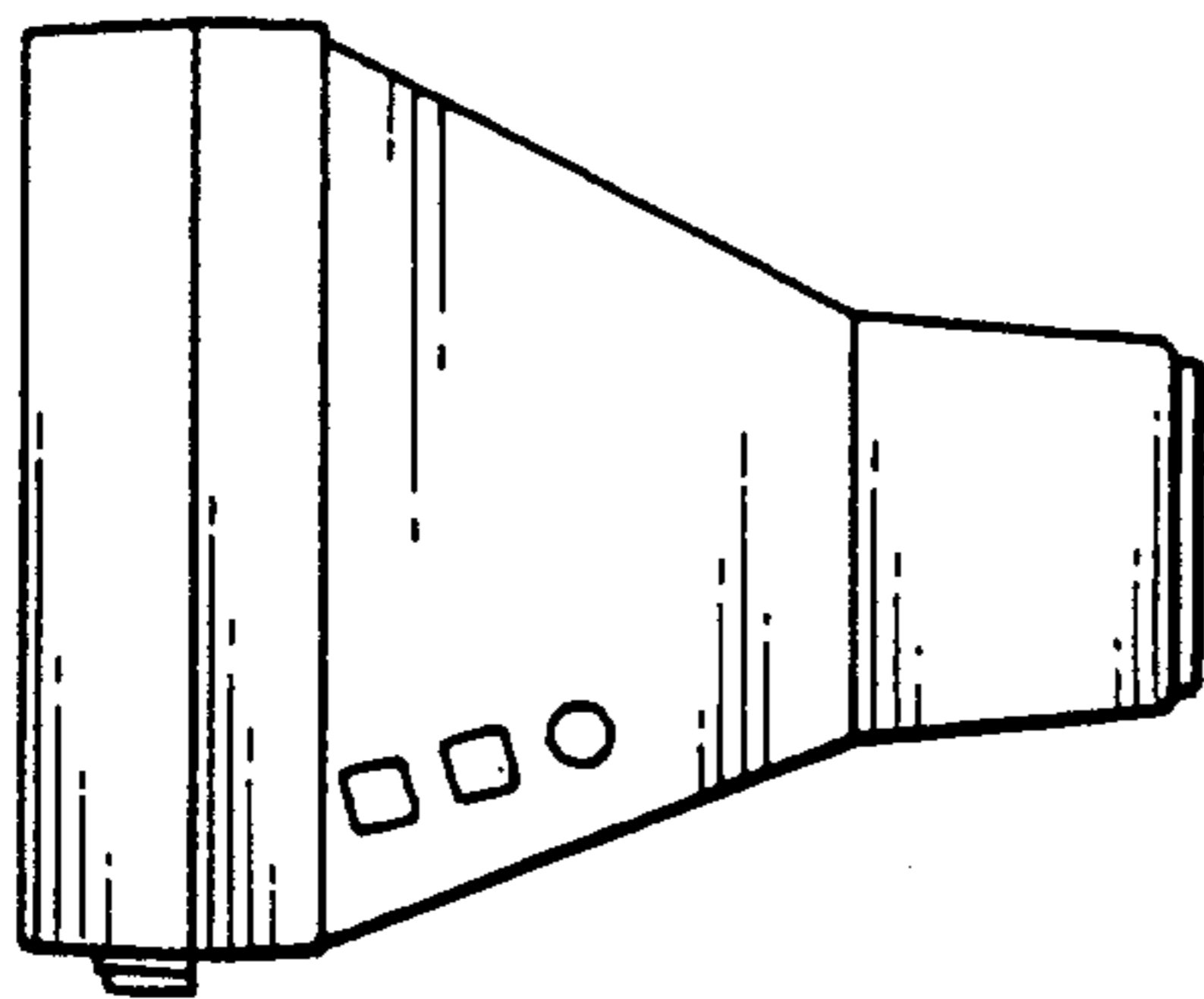


FIG. 3

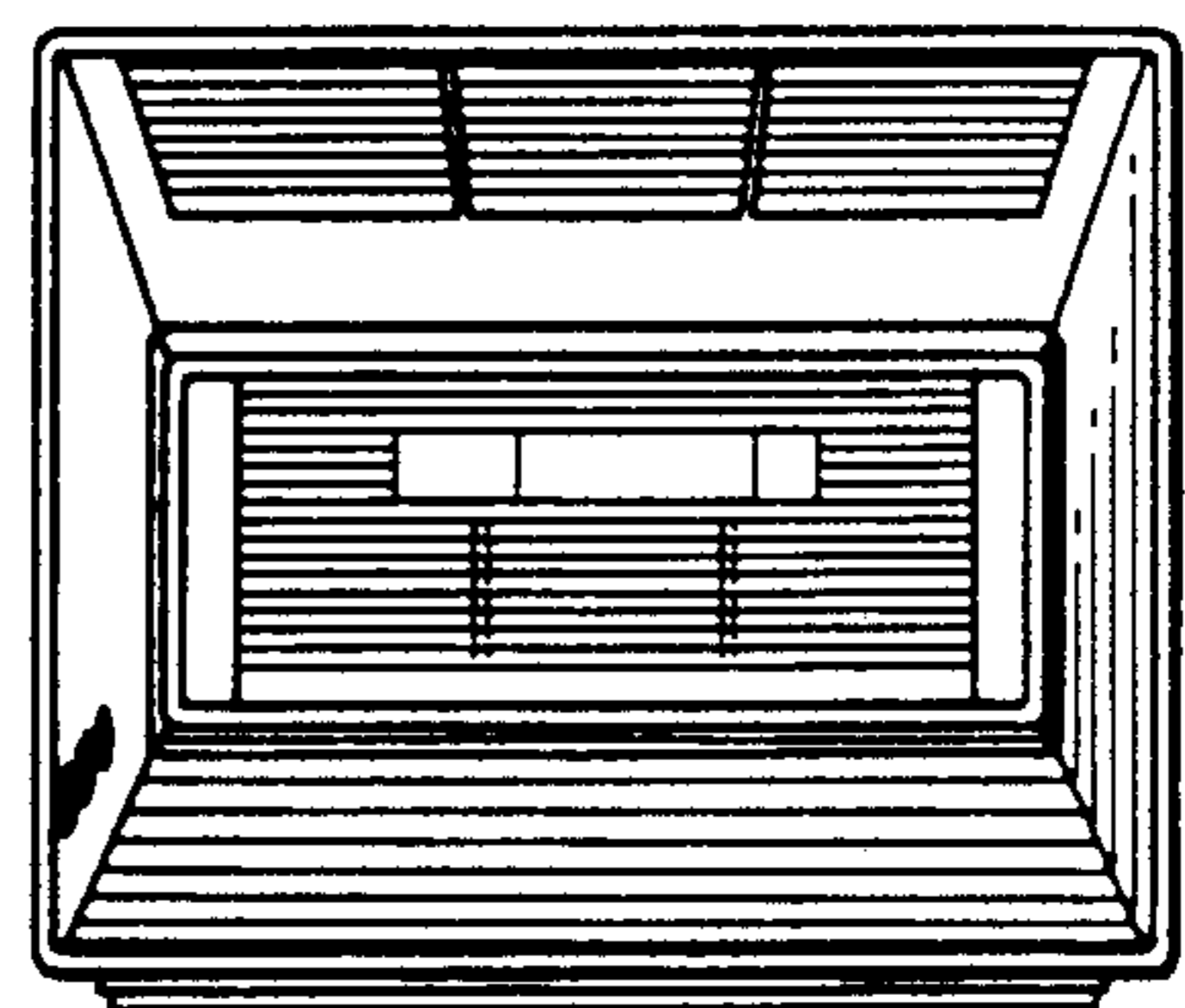


FIG. 4

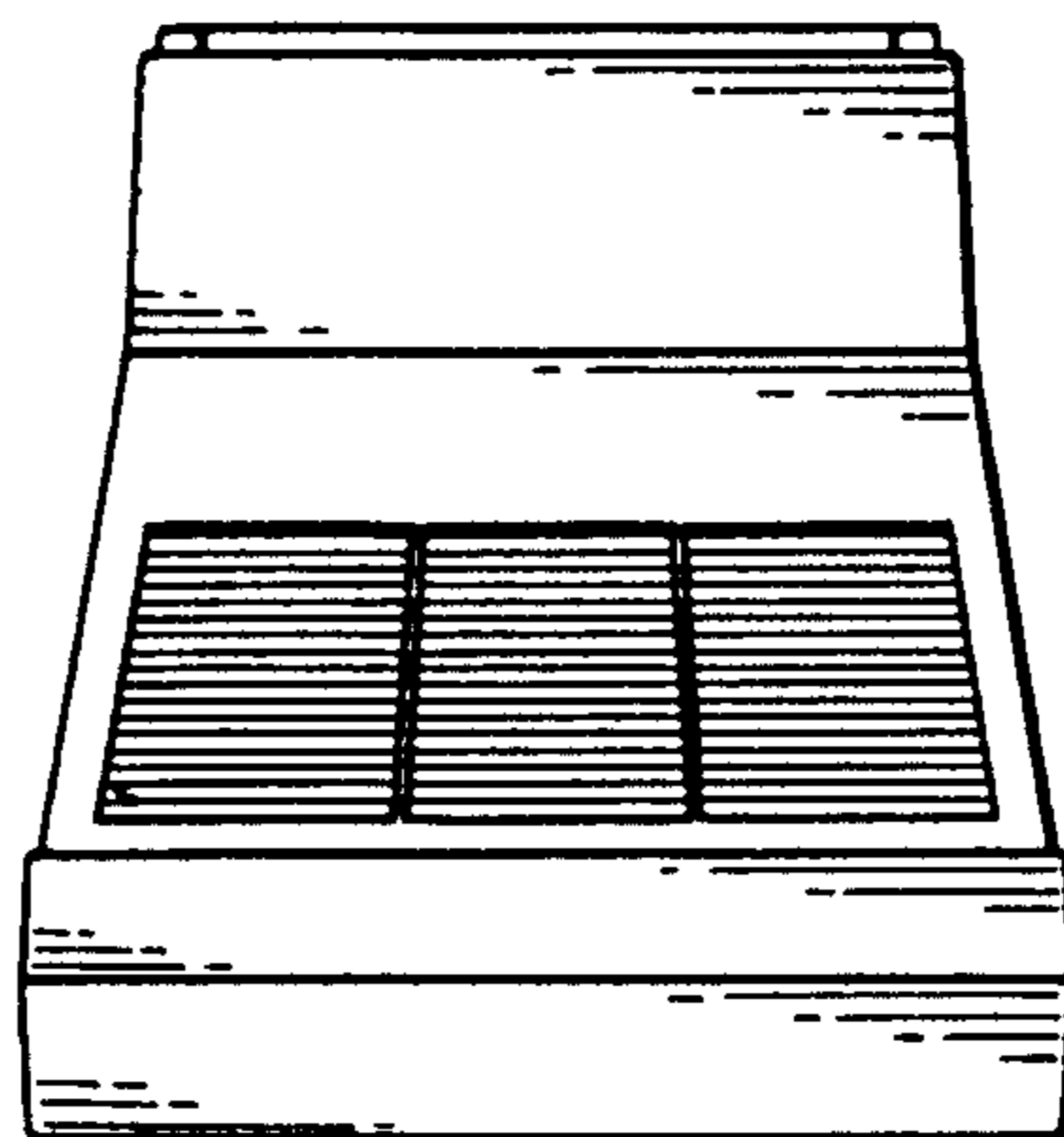


FIG. 5

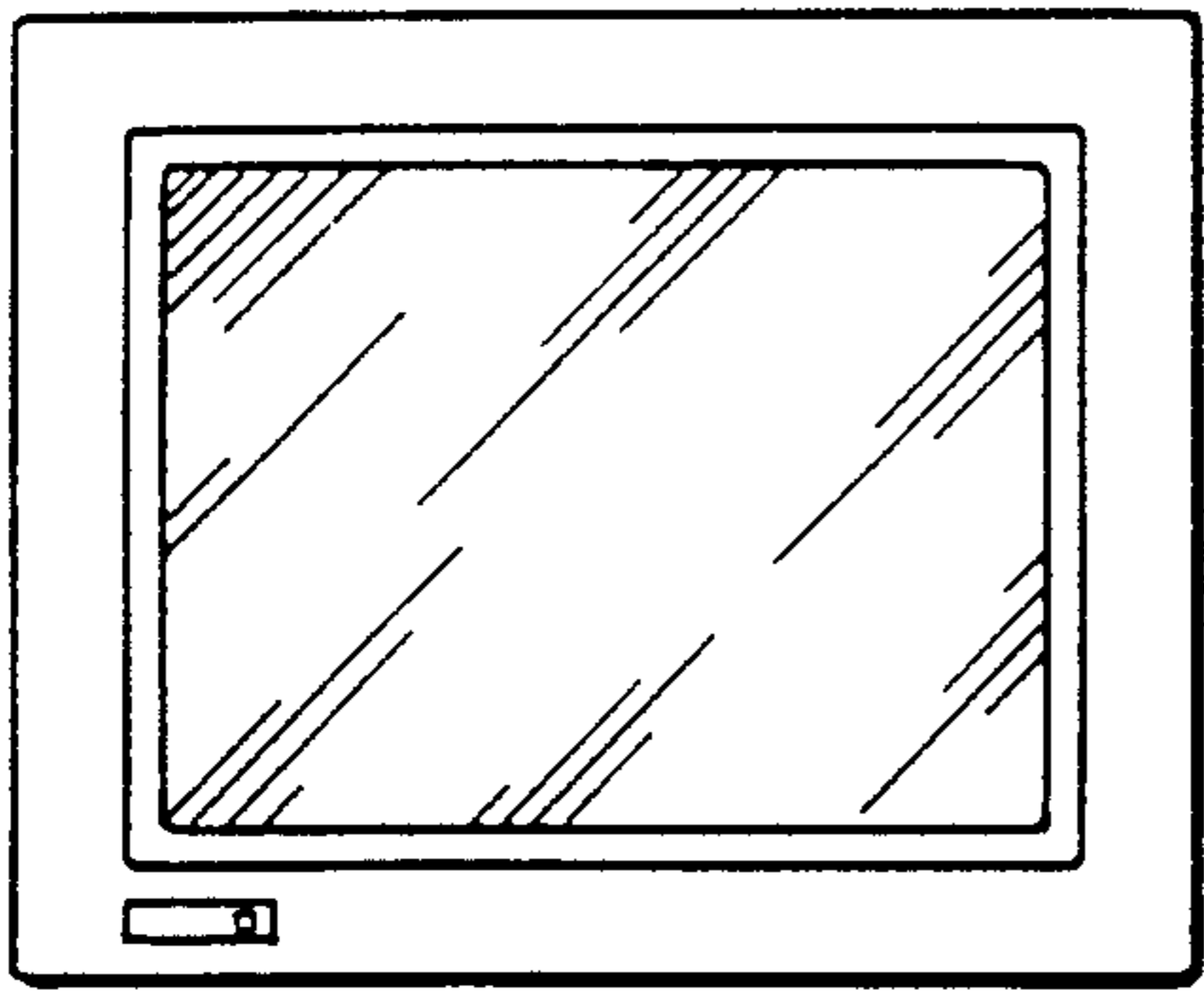


FIG. 6

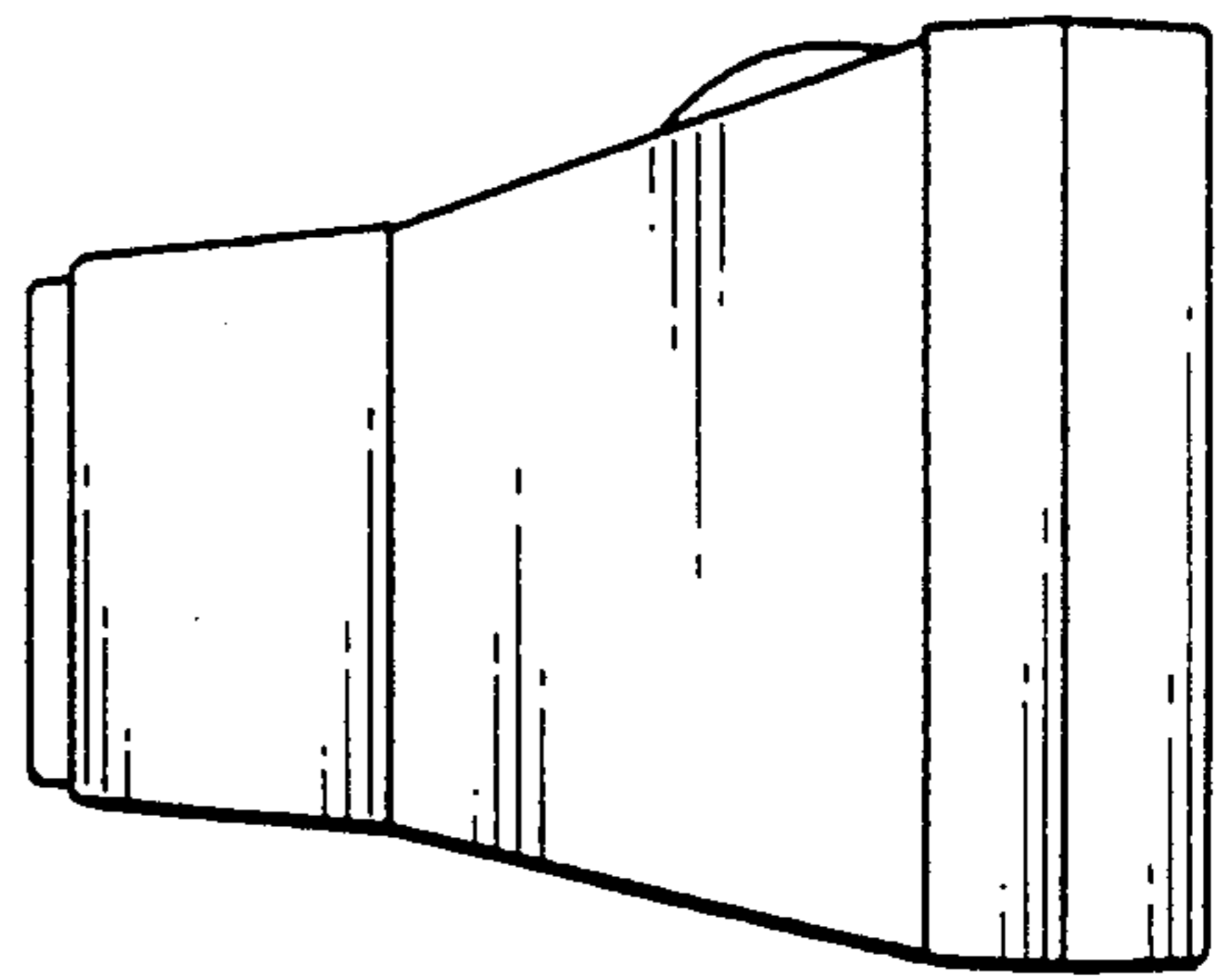


FIG. 7

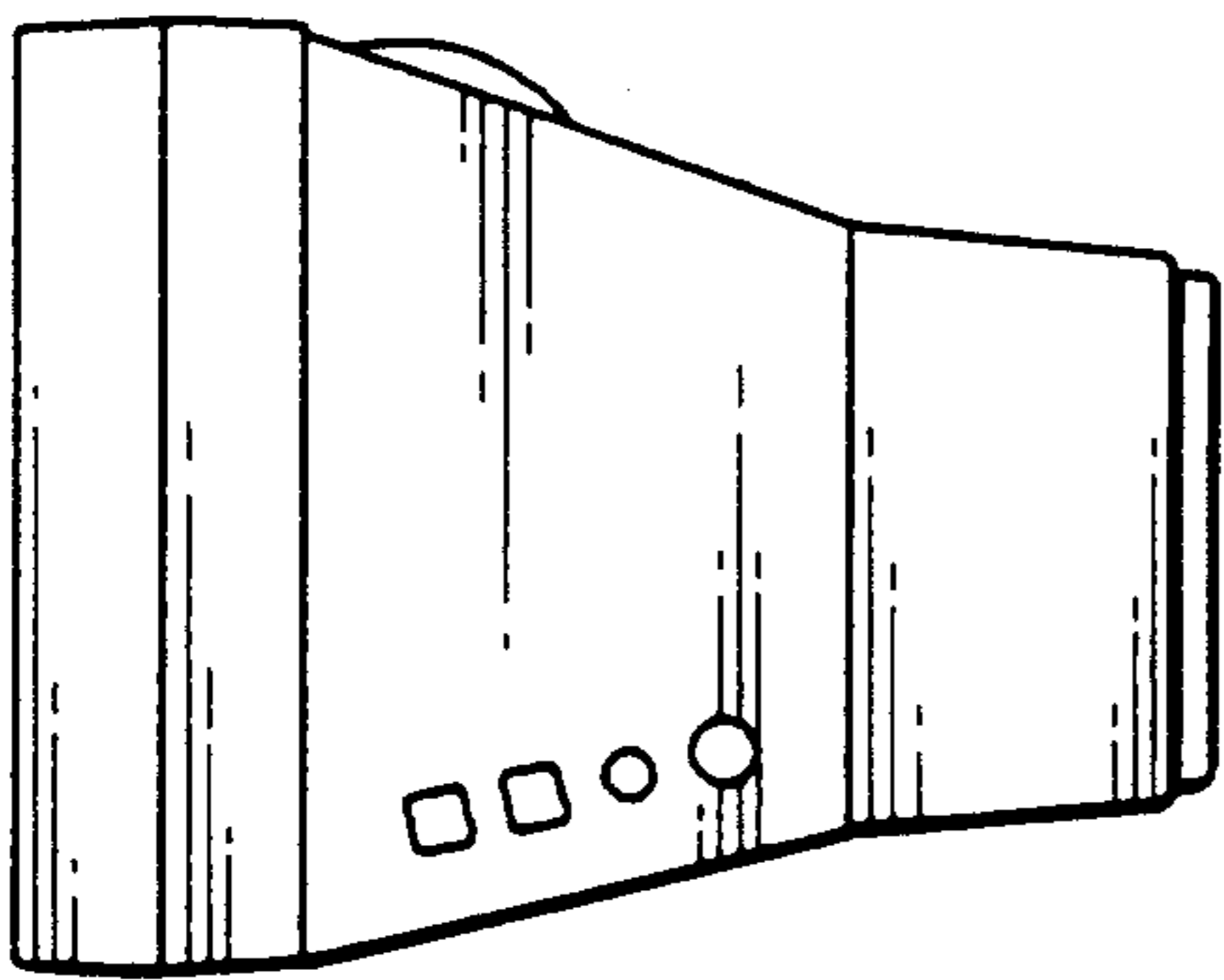


FIG. 8

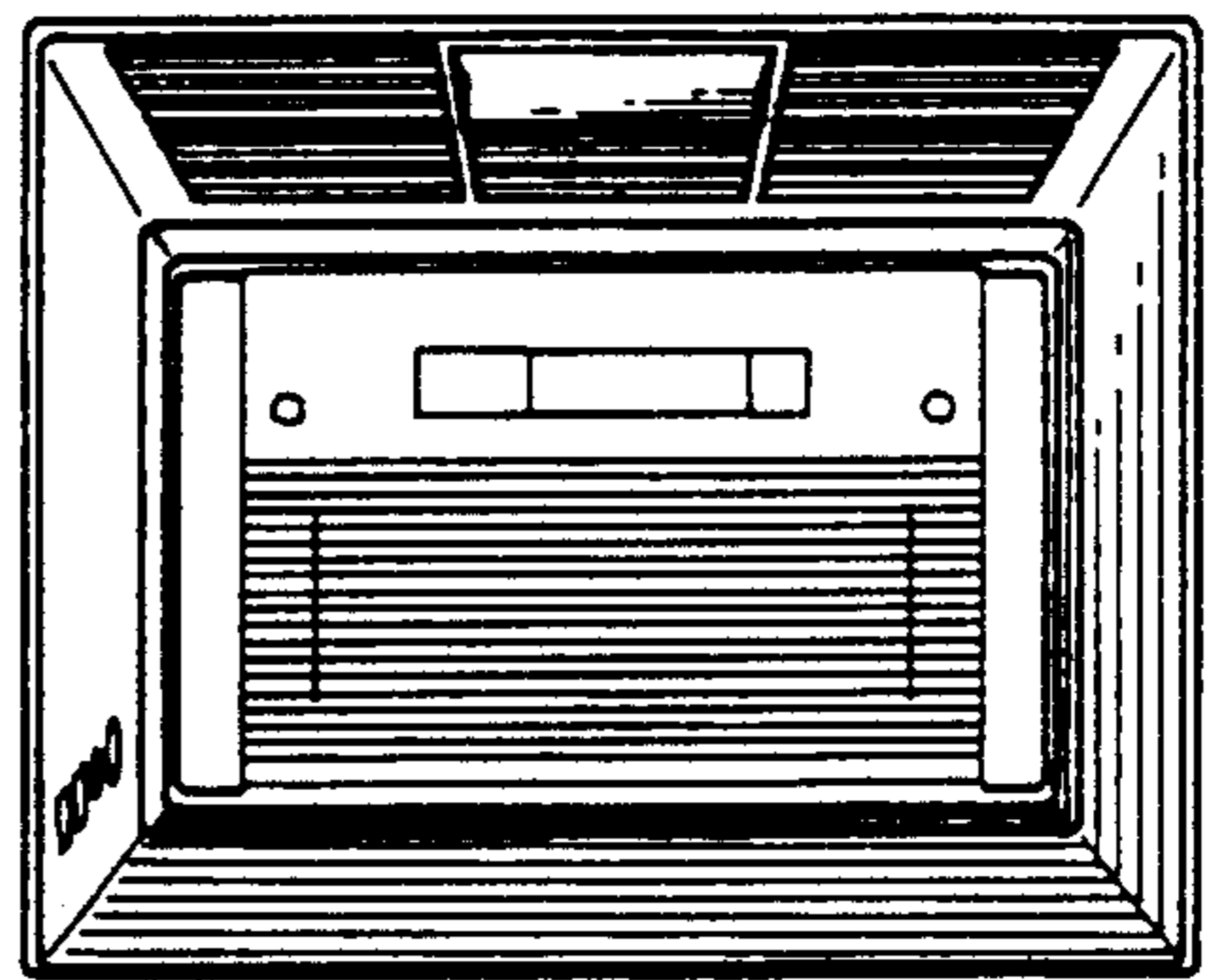


FIG. 9

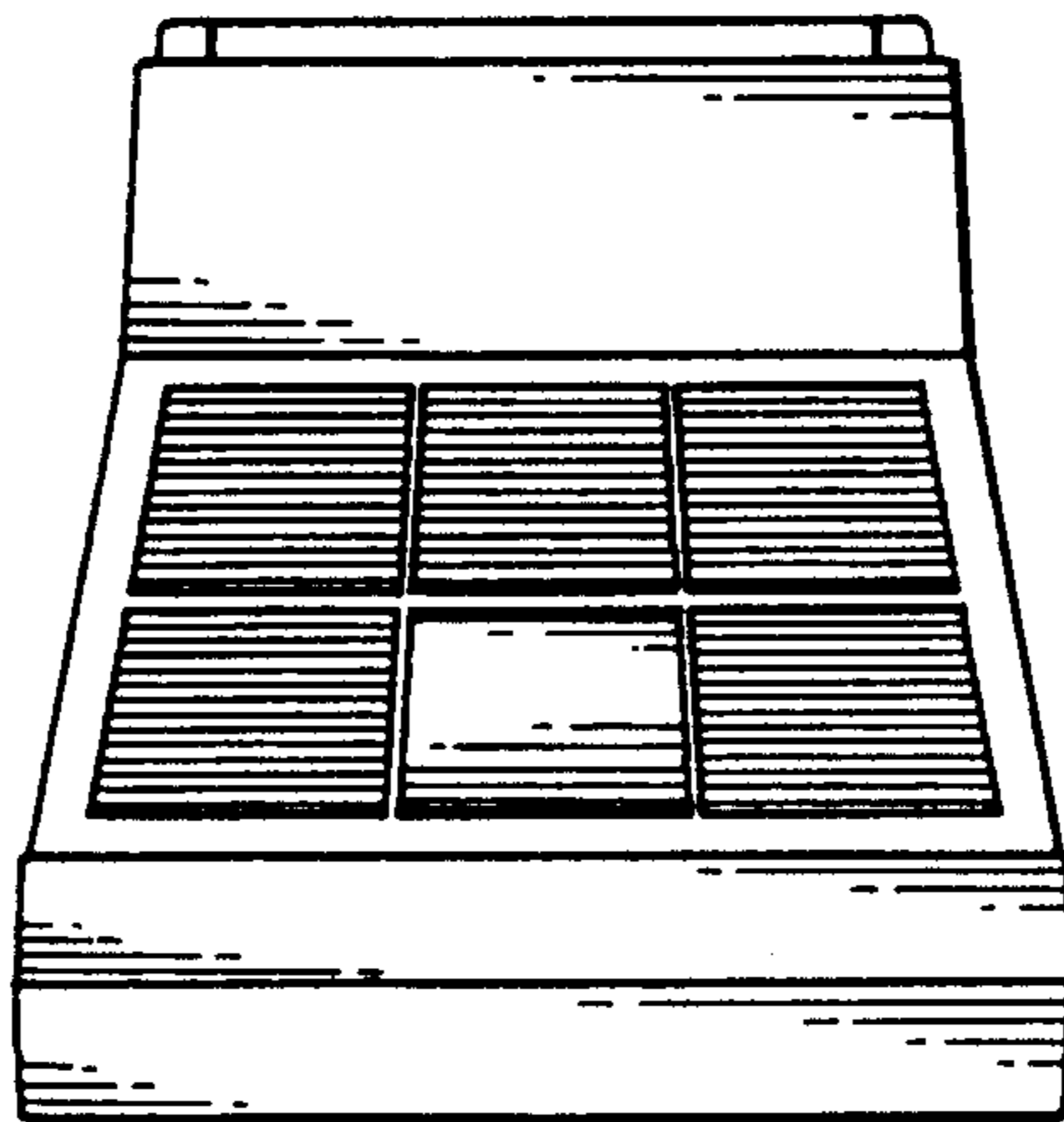


FIG. 10

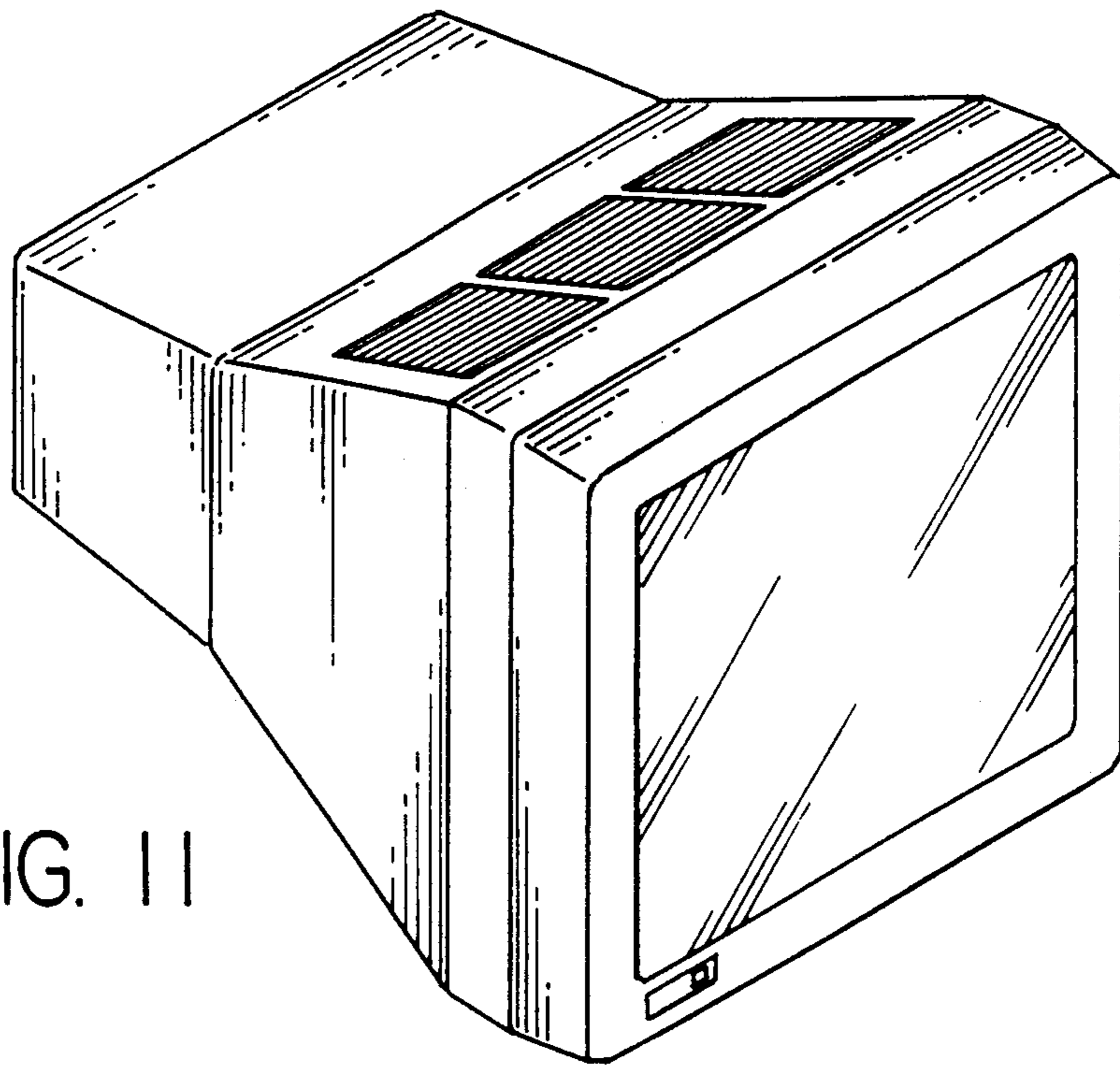


FIG. 11

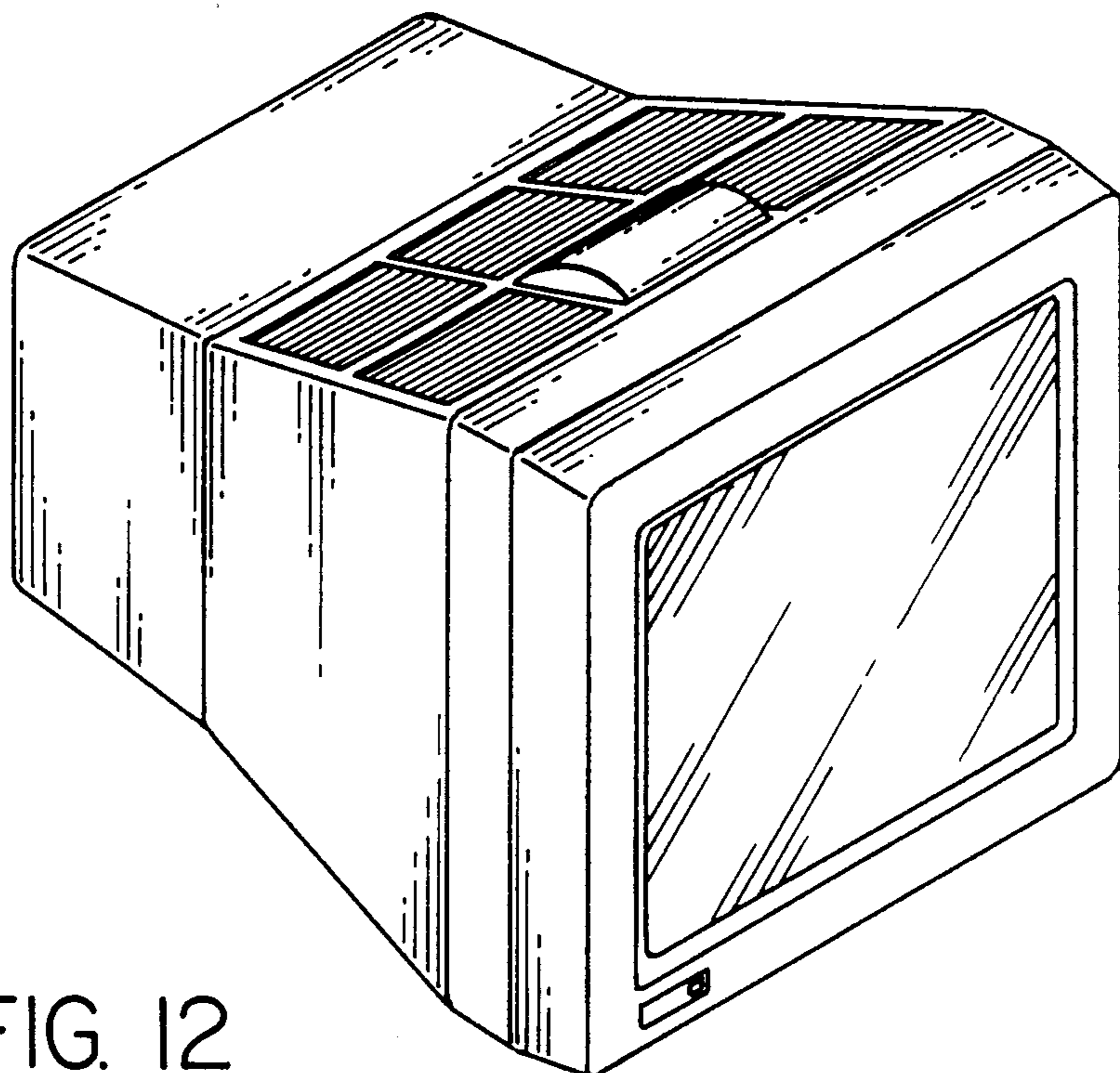


FIG. 12