

# United States Patent [19]

Matsui

[11] Patent Number: Des. 314,371

[45] Date of Patent: \*\* Feb. 5, 1991

- [54] ABSORBER OF ELECTRIC NOISE
- [75] Inventor: Kazuhiro Matsui, Toyoake, Japan
- [73] Assignee: Kitagawa Industries Co., Ltd., Japan
- [\*\*] Term: 14 Years
- [21] Appl. No.: 388,367
- [22] Filed: Aug. 2, 1989

4,135,587 1/1979 Diaz ..... 174/92  
 4,219,693 8/1980 French ..... 174/92 X  
 4,426,108 1/1984 Kesselman ..... 174/92 X

*Primary Examiner*—Susan J. Lucas  
*Assistant Examiner*—Joel Sincavage  
*Attorney, Agent, or Firm*—Oliff & Berridge

### Related U.S. Application Data

- [60] Division of Ser. No. 368,943, Jun. 13, 1989, abandoned, which is a continuation of Ser. No. 141,782, Jan. 11, 1988, abandoned.
- [52] U.S. Cl. .... D13/199; D13/156
- [58] Field of Search ..... D13/156, 157, 118, 133, D13/147; 174/72 A, 74 A, 74 R, 52.1, 92, 138 F; 336/65, 92

### References Cited

#### U.S. PATENT DOCUMENTS

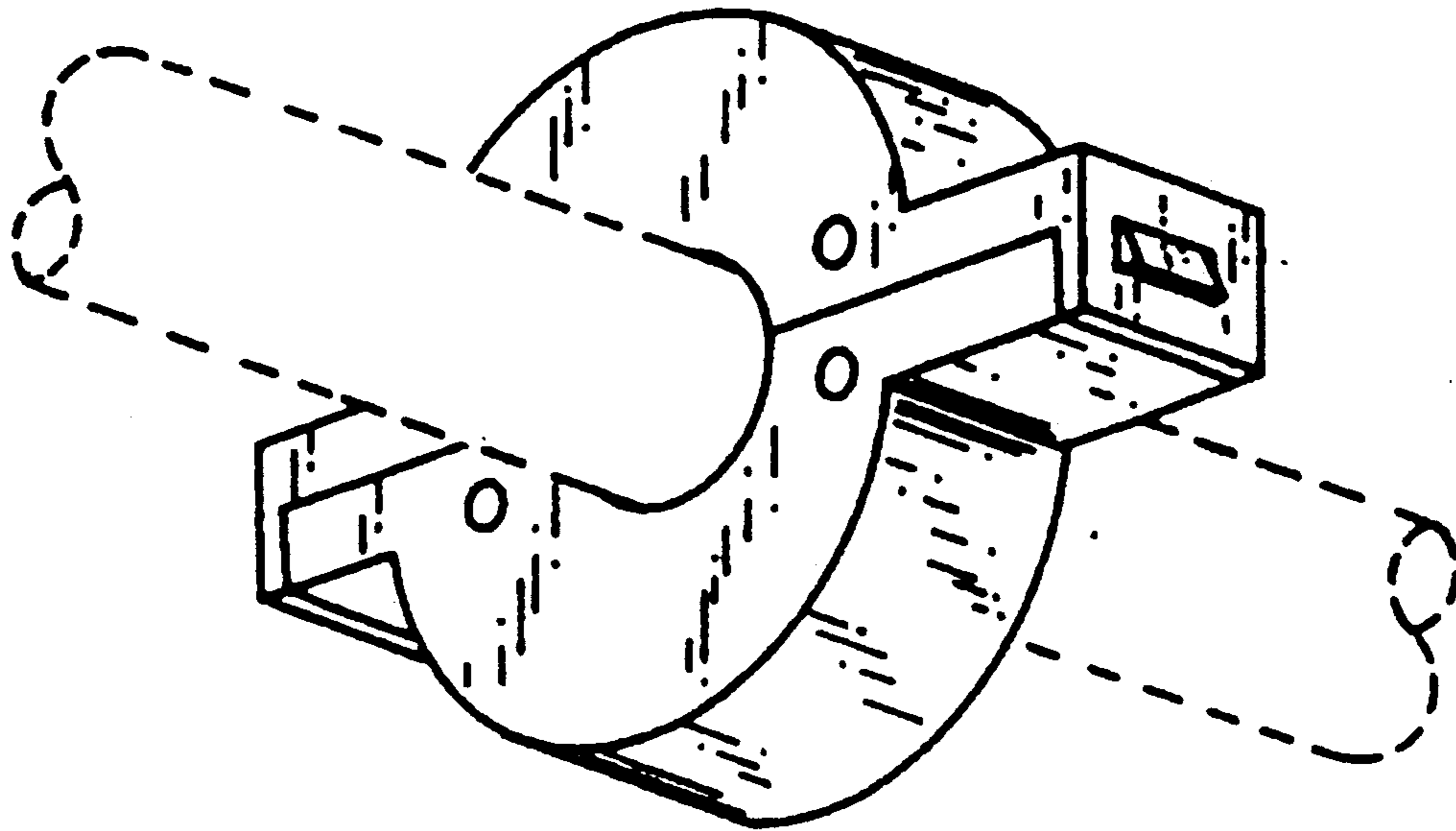
3,838,213 9/1974 Georgopoulos ..... 174/52.1 X  
 4,095,044 6/1978 Horsma et al. .... 174/138 F

### [57] CLAIM

The ornamental design for absorber of electric noise, as shown and described.

### DESCRIPTION

FIG. 1 is a perspective view of an absorber of electric noise showing my new design mounted on a wire. The broken line showing of the wire is for illustrative purposes only and forms no part of the claimed design; FIG. 2 is a perspective view of an absorber of electric noise showing my new design; FIG. 3 is a front elevational view thereof, the rear elevational view being the same; FIG. 4 is a left end elevational view thereof, the right end elevational view being the same; FIG. 5 is a top plan view thereof; and FIG. 6 is a bottom plan view thereof.



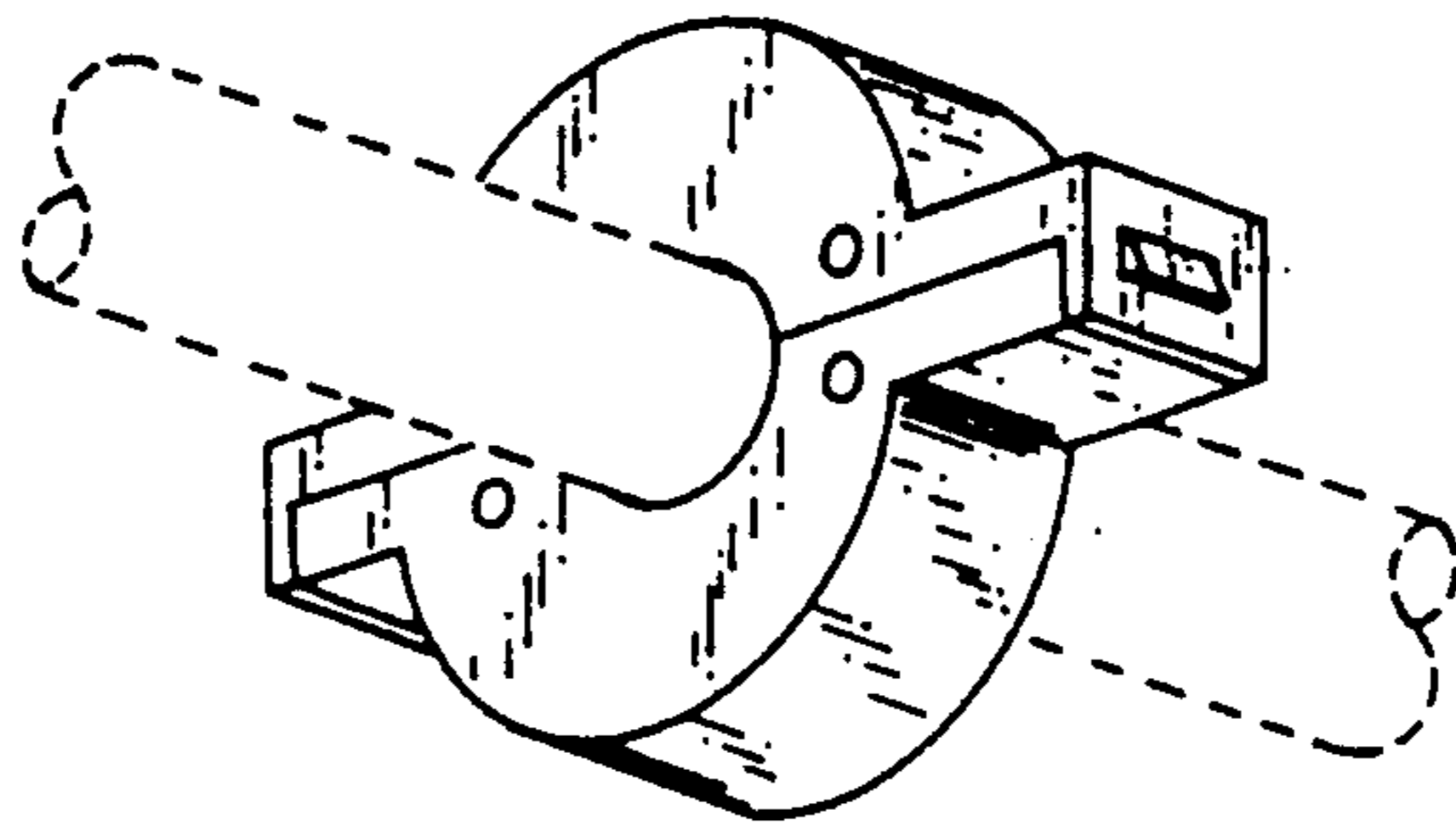


Fig. 1

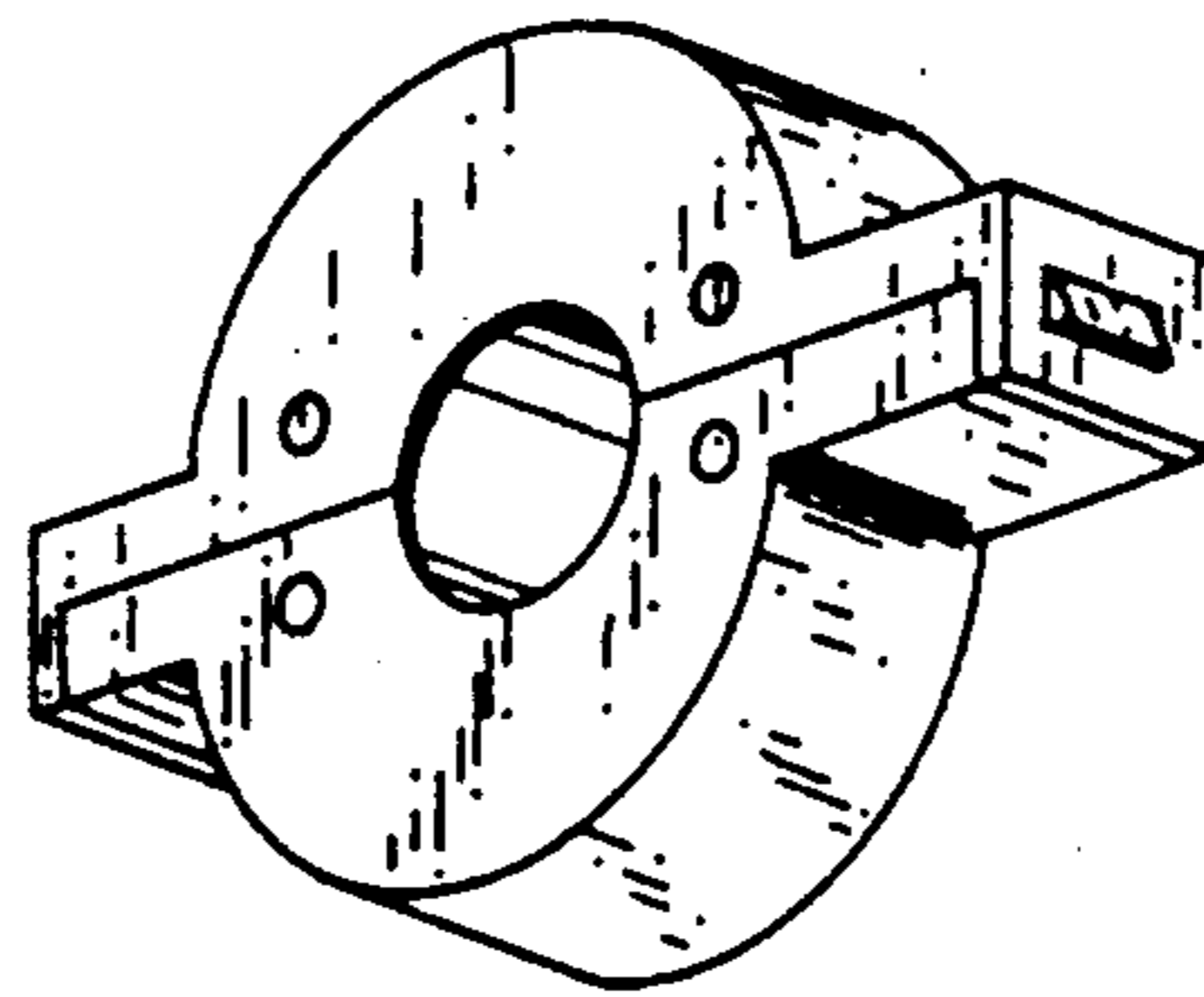


Fig. 2

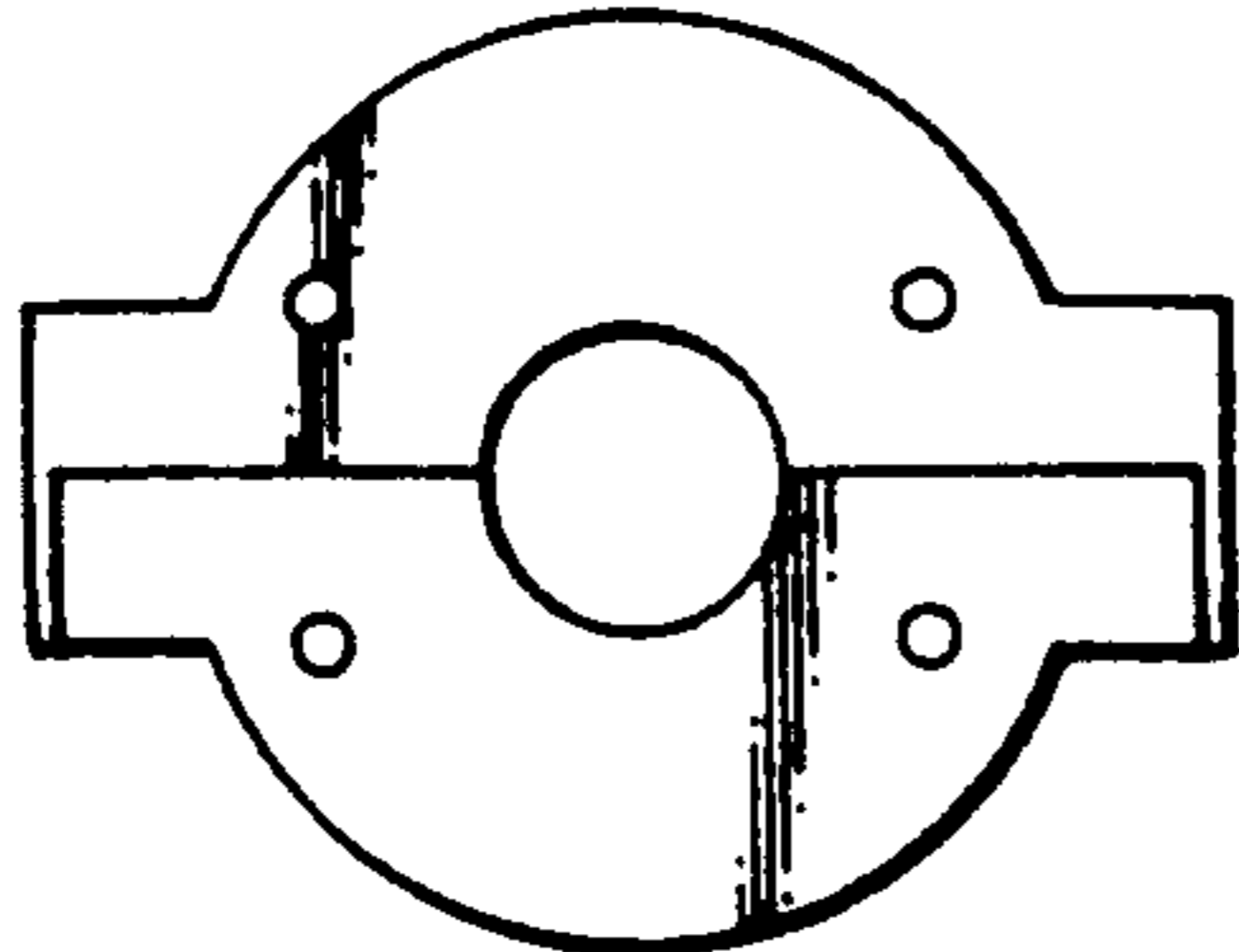


Fig. 3

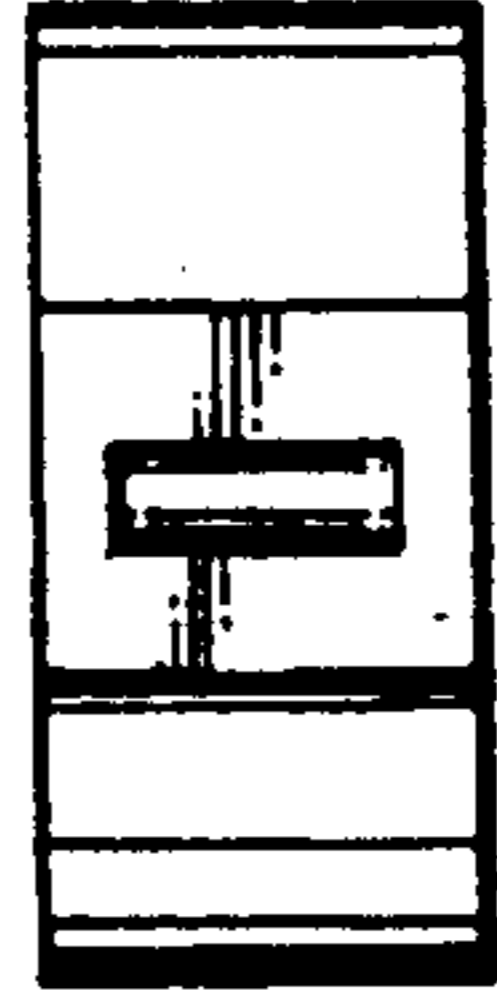


Fig. 4



Fig. 5

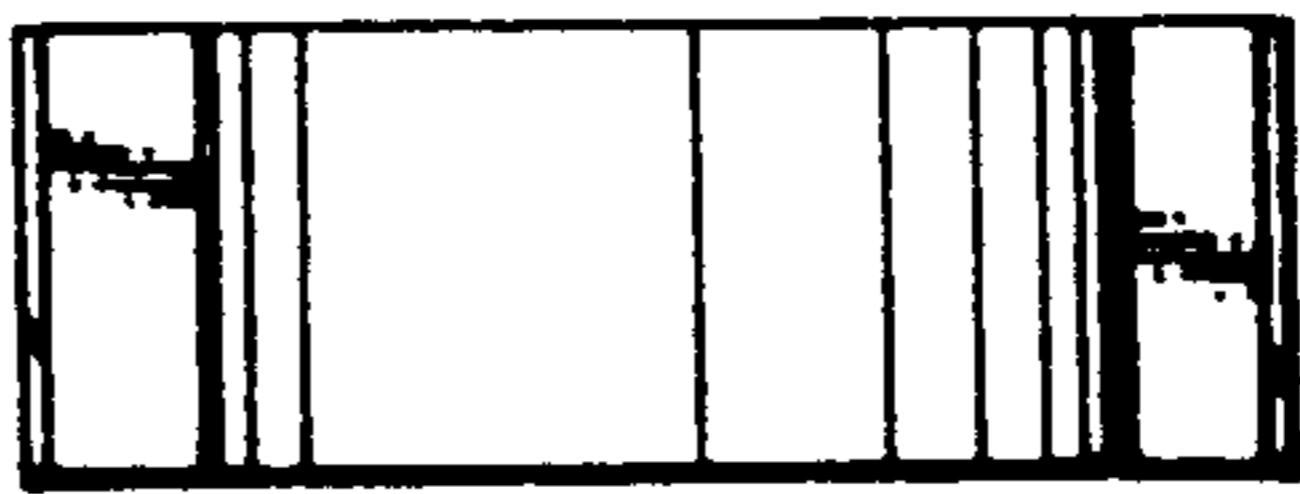


Fig. 6