

[54] **MULTIPLE STATION SURGE PROTECTOR**

[75] **Inventor: James E. Sacherman, Palo Alto, Calif.**

[73] **Assignee: Curis Manufacturing Company, Inc., Jaffrey, N.H.**

[**] **Term: 14 Years**

[21] **Appl. No.: 470,043**

[22] **Filed: Jan. 24, 1990**

[52] **U.S. Cl. D13/160; D13/184**

[58] **Field of Search D13/184, 164, 142, 137; D14/107; 361/56, 58, 111, 118, 119, 412, 89-92, 395; 174/53, 52.1**

[56] **References Cited**

U.S. PATENT DOCUMENTS

- D. 213,781 4/1969 Dunlop et al. .
- D. 265,989 8/1982 Harris et al. .
- D. 270,530 9/1983 Bowden et al. .
- D. 284,758 7/1986 Maloney .
- D. 284,852 7/1986 Maloney .
- D. 285,065 8/1986 Bobrovniczky .
- D. 285,788 9/1986 Rapp et al. .
- D. 288,920 3/1987 Oesterheld et al. D13/142

- D. 290,836 7/1987 Oesterheld et al. D13/142
- D. 296,899 7/1988 Chu et al. D14/107 X
- 4,872,091 10/1989 Maniwa et al. 361/395 X

OTHER PUBLICATIONS

Popular Mechanics, May, 1983, pp. 190-191.

Primary Examiner—Susan J. Lucas

Assistant Examiner—Joel Sincavage

Attorney, Agent, or Firm—Richard P. Crowley

[57] **CLAIM**

The ornamental design for multiple station surge protector, as shown and described.

DESCRIPTION

FIG. 1 is a top perspective view of a multiple station surge protector showing my new design;

FIG. 2 is a top plan view thereof;

FIG. 3 is a left side elevational view thereof.

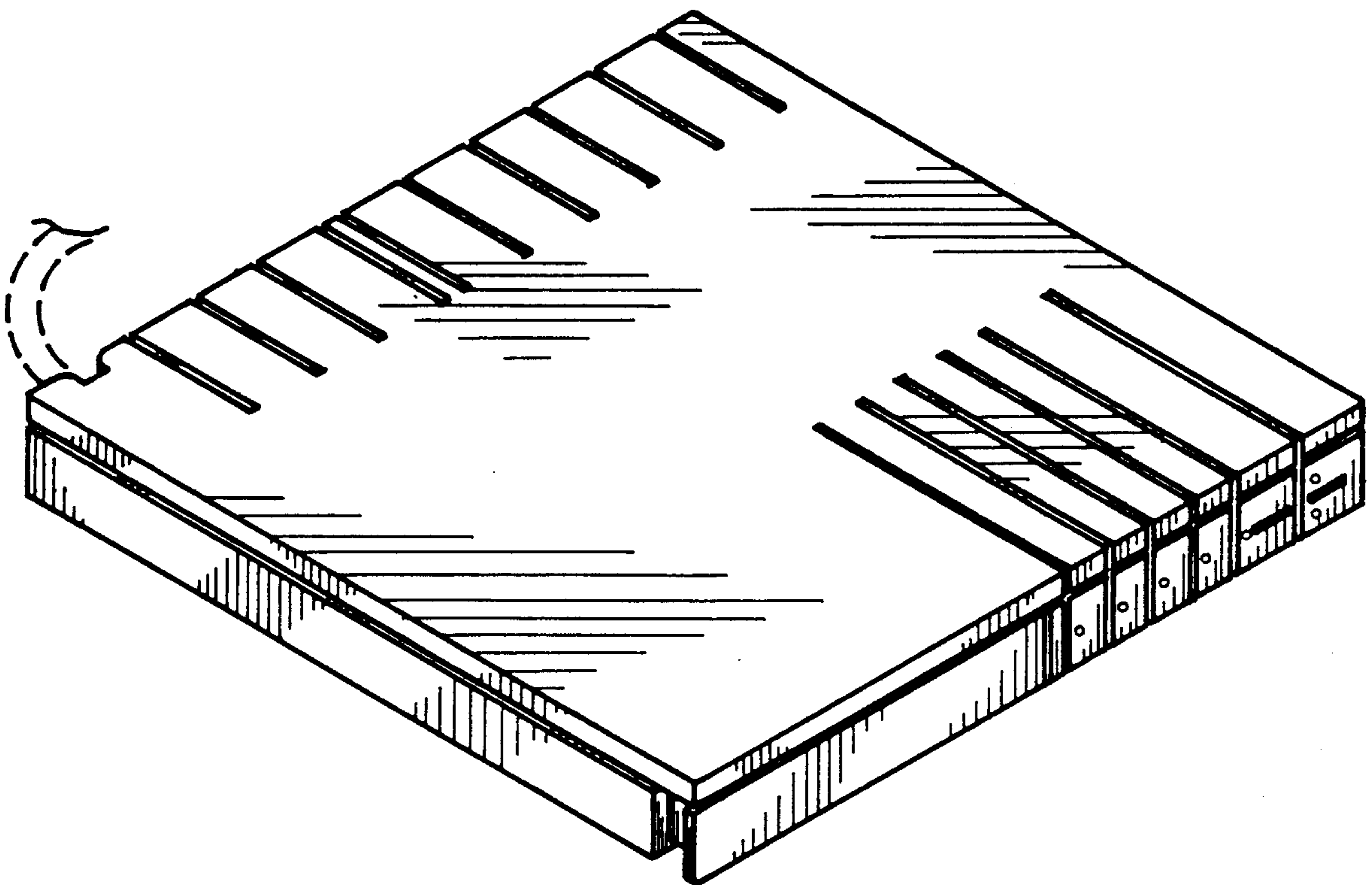
FIG. 4 is a right side elevational view thereof;

FIG. 5 is a bottom plan view thereof;

FIG. 6 is a front elevational view thereof;

FIG. 7 is a rear elevational view thereof;

The broken line showing is intended to illustrate environmental elements only and forms no part of the claimed design.



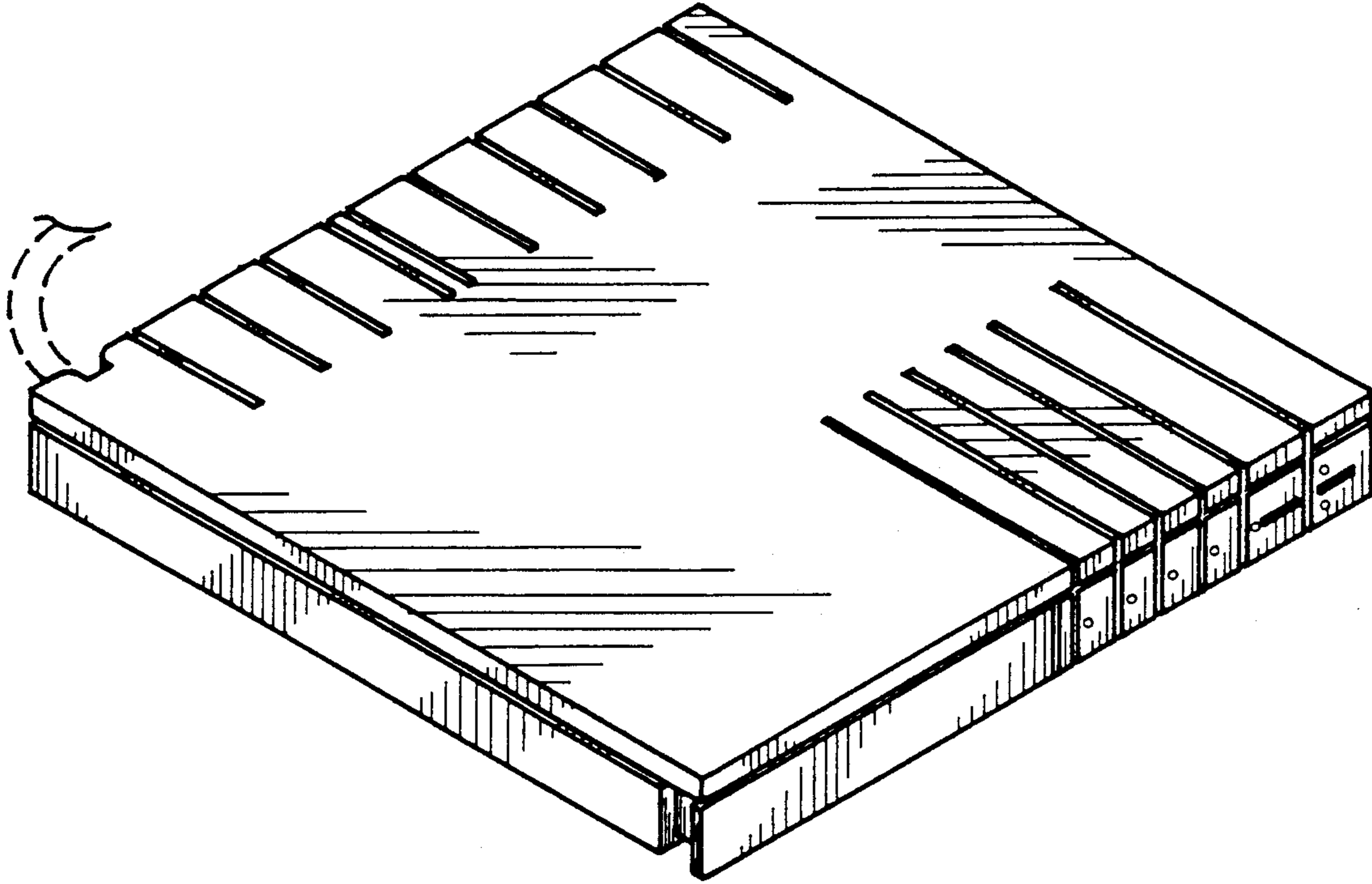


FIG. 1

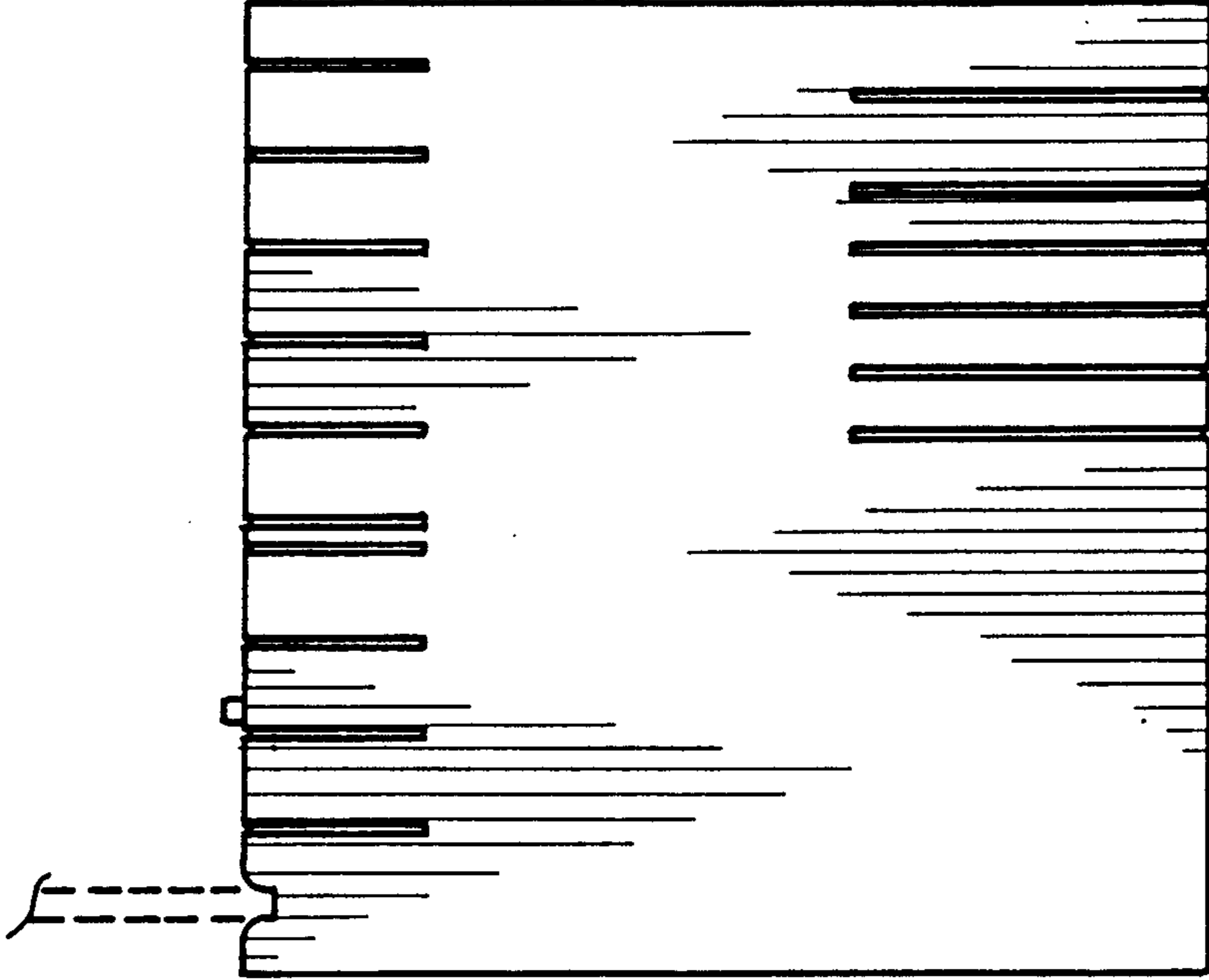


FIG. 2

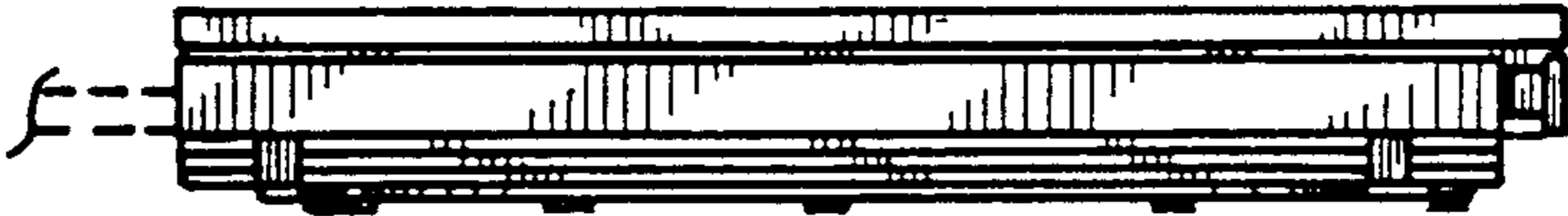


FIG. 3



FIG. 4

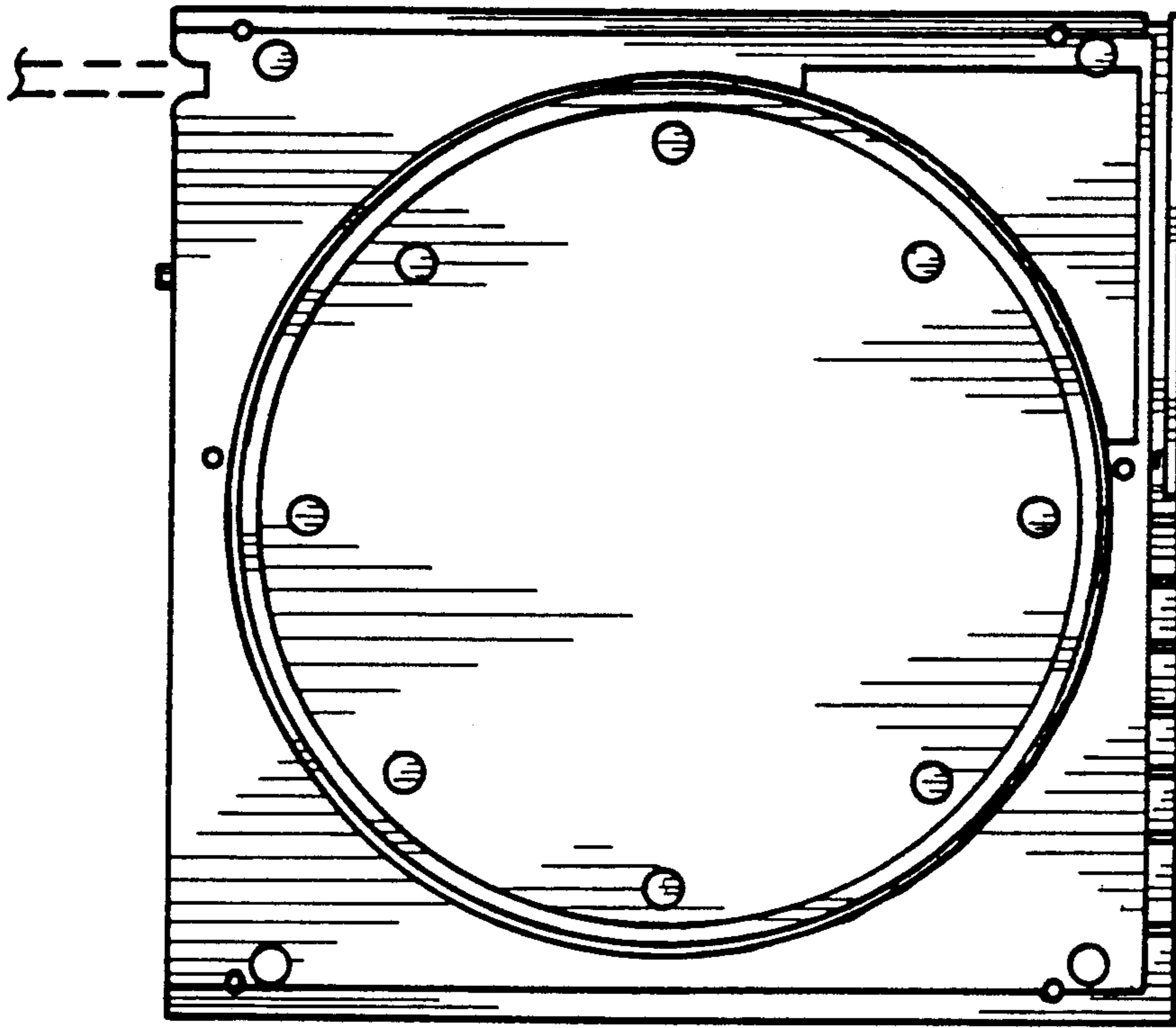


FIG. 5



FIG. 6

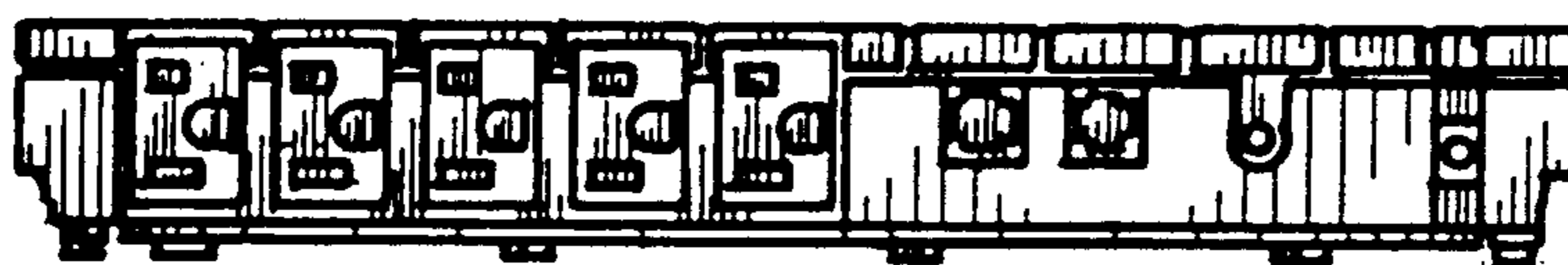


FIG. 7