

[54] ELECTRONIC POWER SUPPLY HOUSING

[56] References Cited

[75] Inventors: Peter H. Burgher, Howell; Richard L. Holmes, Owosso; John Boomer, Howell, all of Mich.

U.S. PATENT DOCUMENTS

D. 297,829 9/1988 Burgher et al. D13/110
3,852,514 12/1974 Lauben 361/357 X
3,983,460 9/1976 Kuhn et al. 361/357 X

[73] Assignee: Marelco Power Systems, Inc., Howell, Mich.

Primary Examiner—Wallace R. Burke
Assistant Examiner—Brian N. Vinson
Attorney, Agent, or Firm—Brooks & Kushman

[**] Term: 14 Years

[57] CLAIM

The ornamental design for an electronic power supply housing, as shown.

[21] Appl. No.: 293,511

DESCRIPTION

[22] Filed: Jan. 4, 1989

FIG. 1 is a top front and right side perspective view of electronic power supply housing showing our new design;

[52] U.S. Cl. D13/110

FIG. 2 is a front elevational view thereof;

[58] Field of Search D13/101, 110, 112, 122,

FIG. 3 is a top plan view thereof;

D13/184; 361/331-332, 356-358, 347, 363, 376; 336/90; 174/50, 52.1, 53

FIG. 4 is a right side elevational view thereof;

FIG. 5 is a left side elevational view thereof; and

FIG. 6 is a bottom plan view thereof.

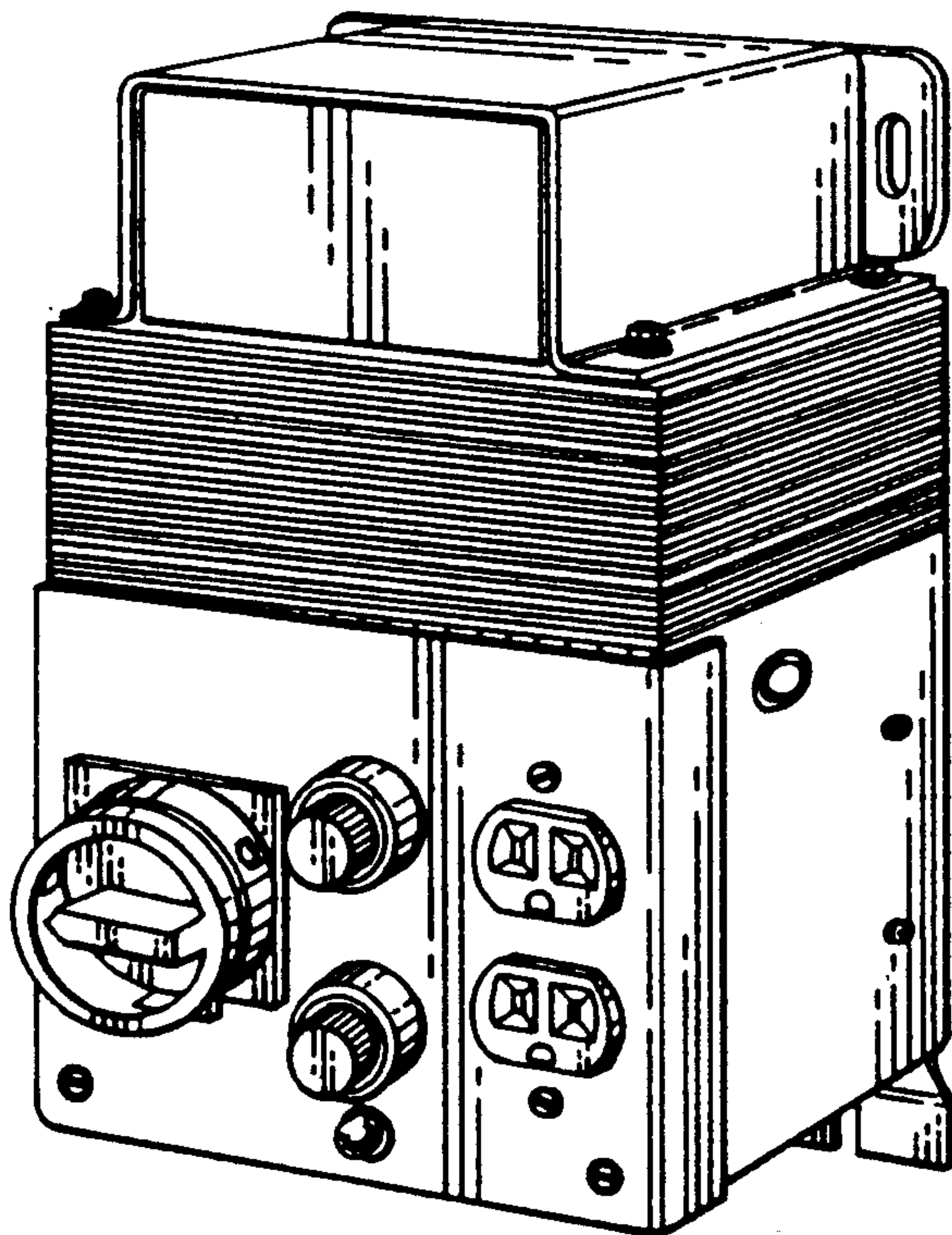


Fig. 1

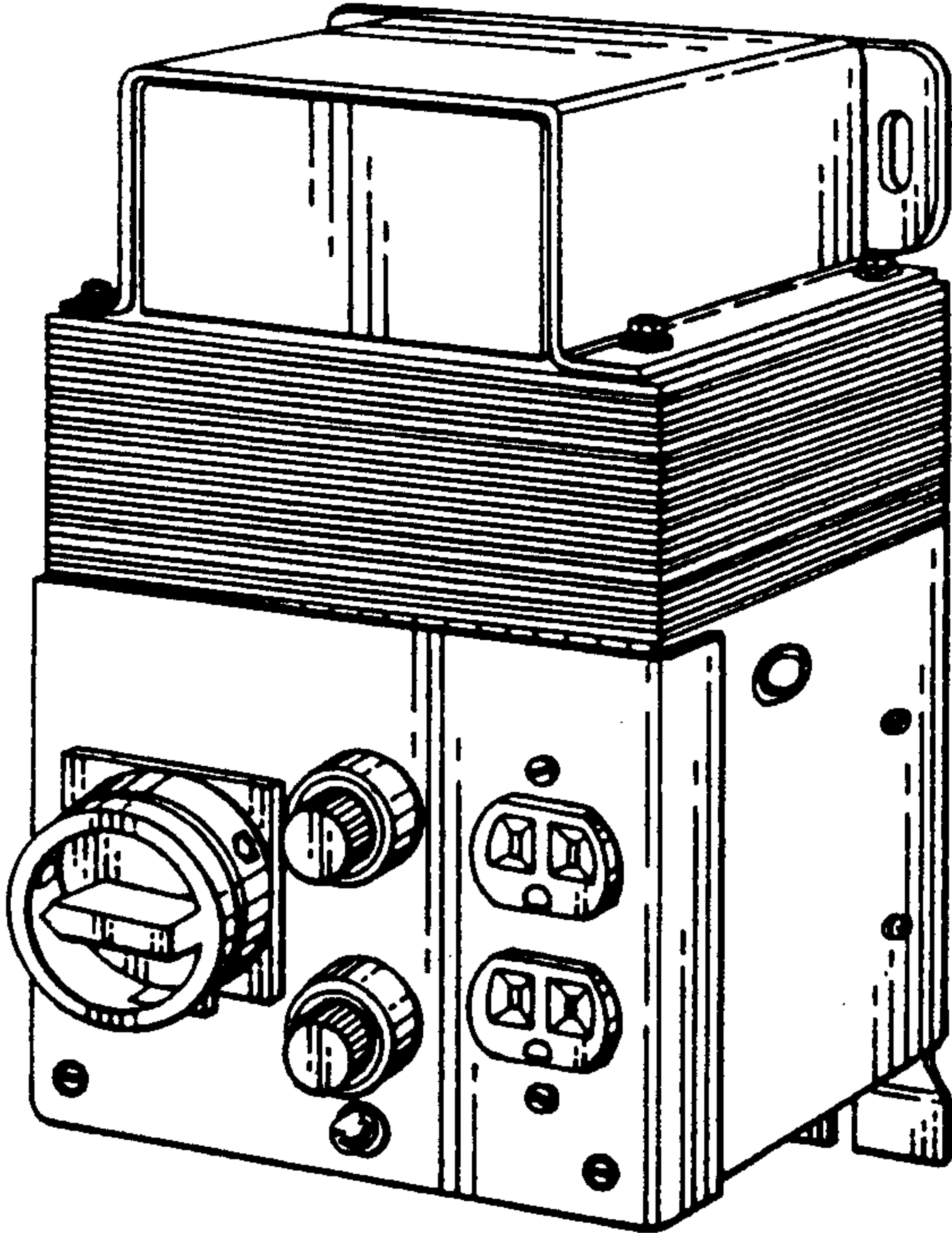


Fig. 2

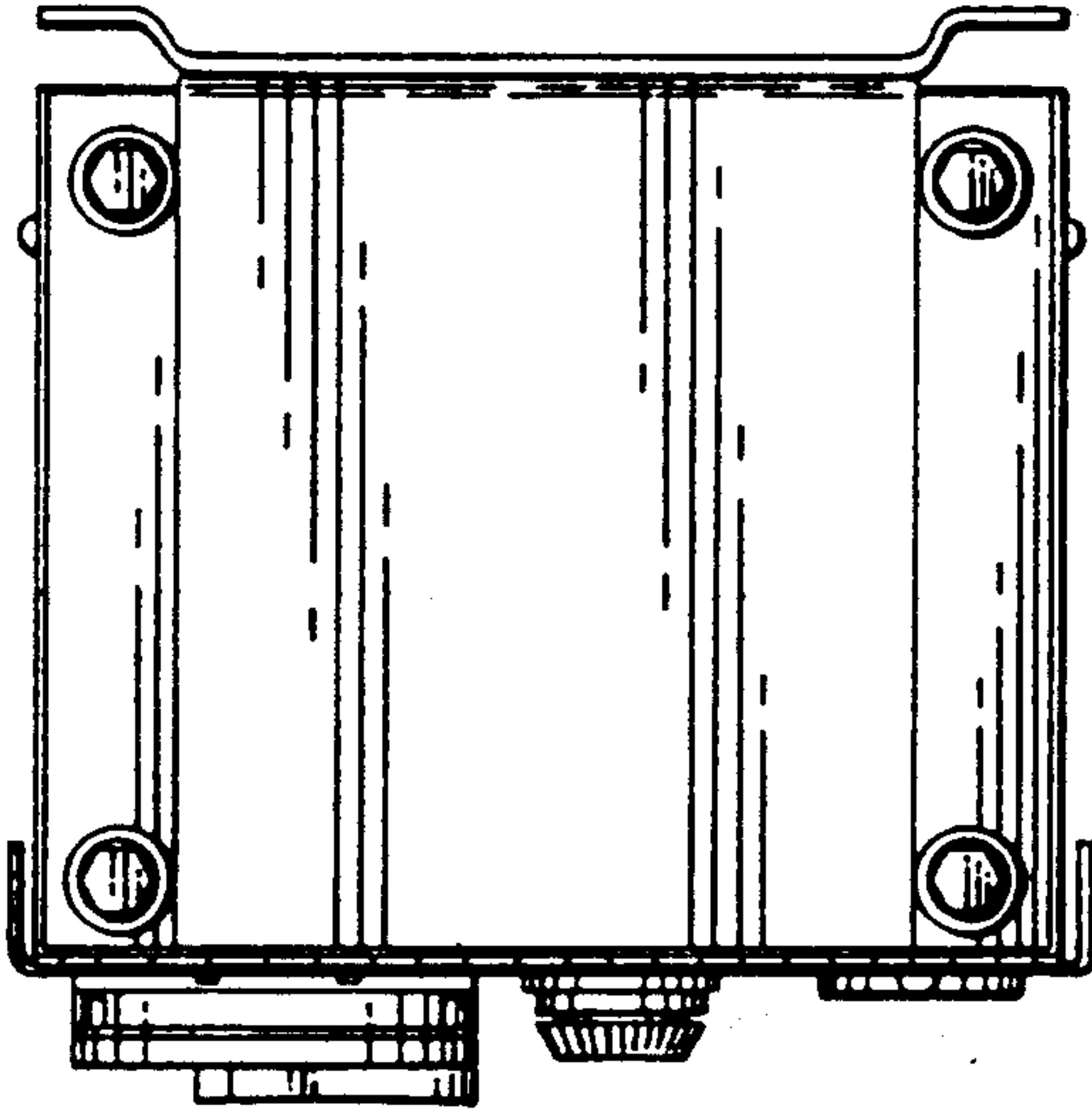
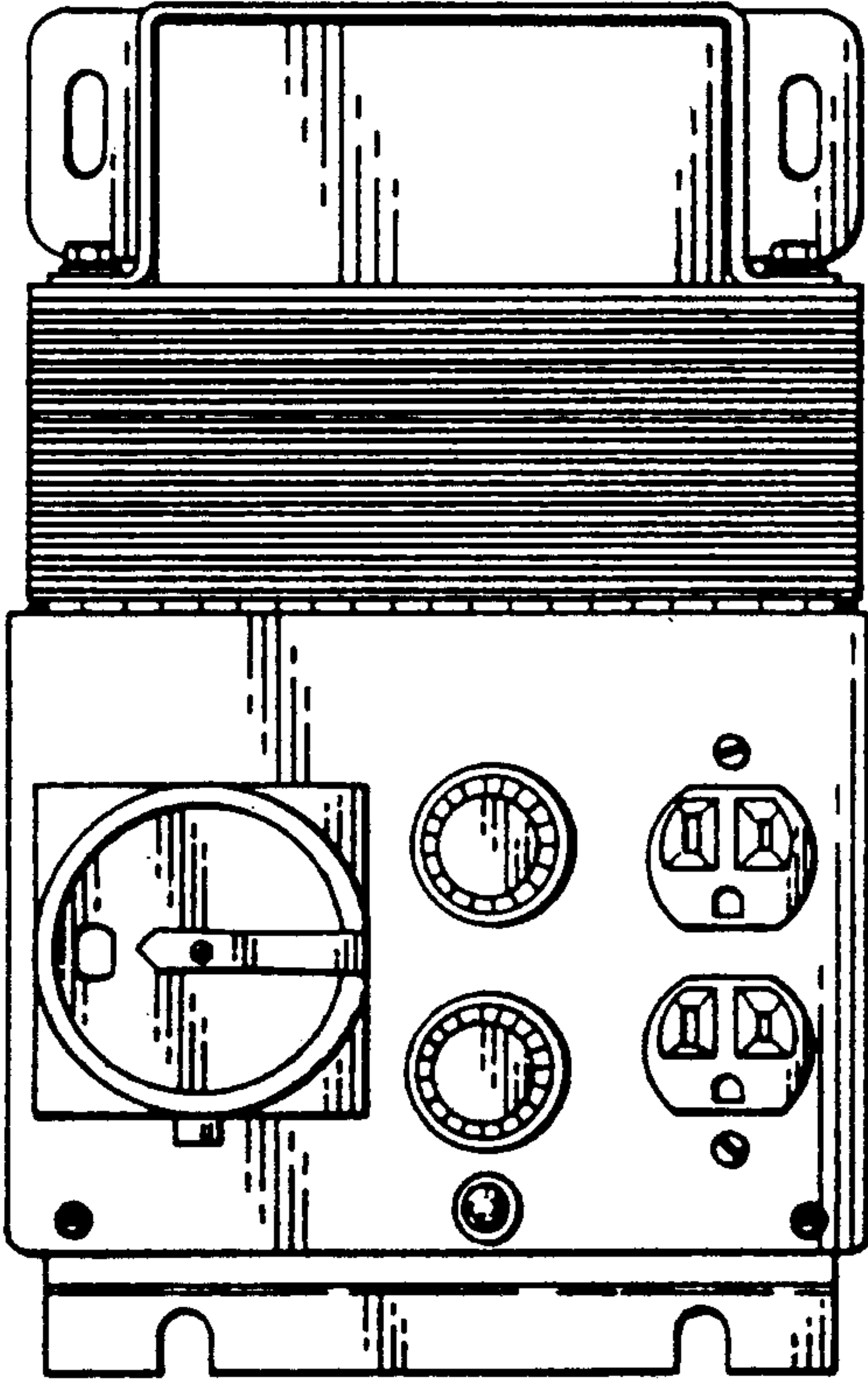


Fig. 3

Fig. 4

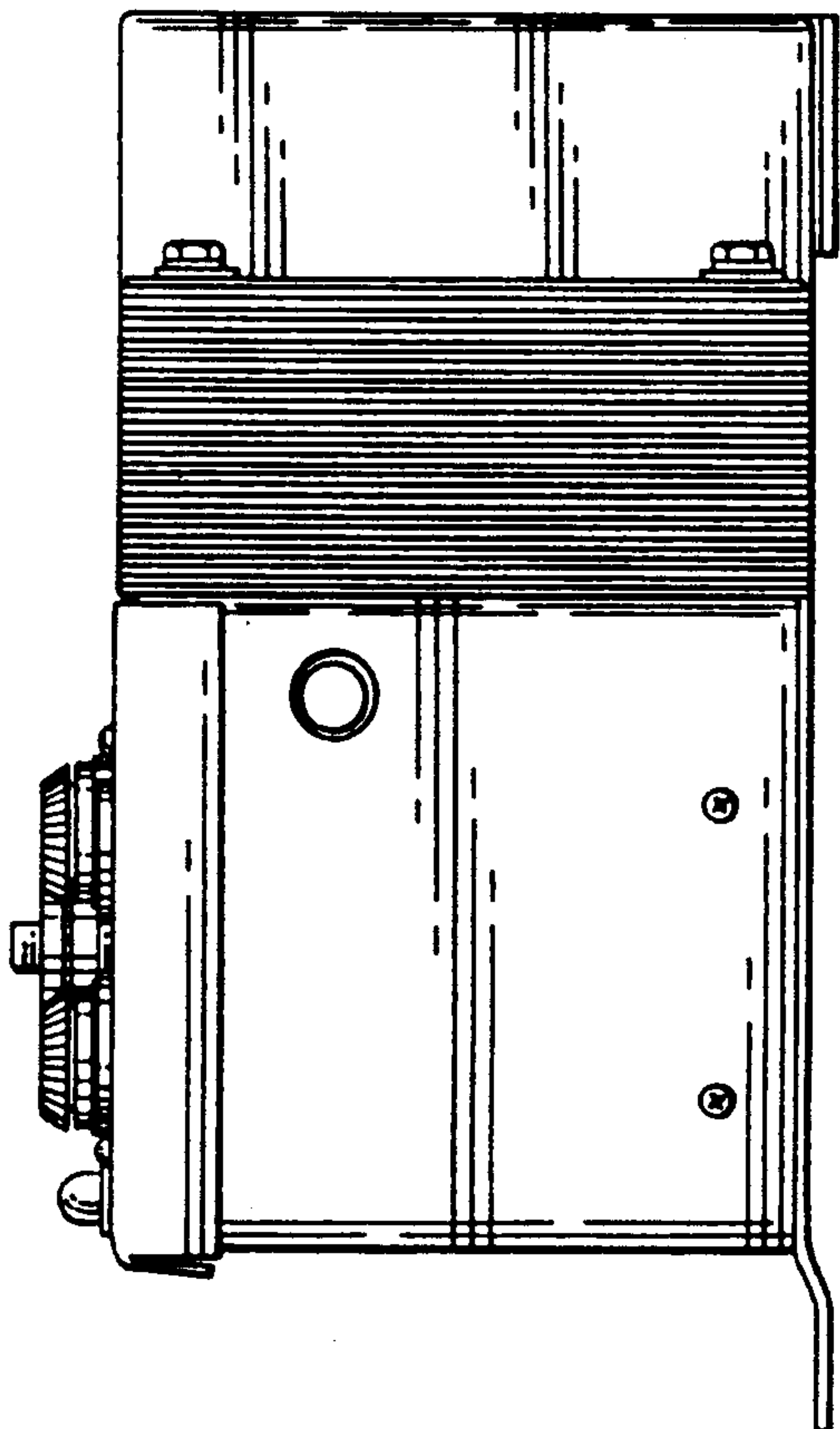


Fig. 5

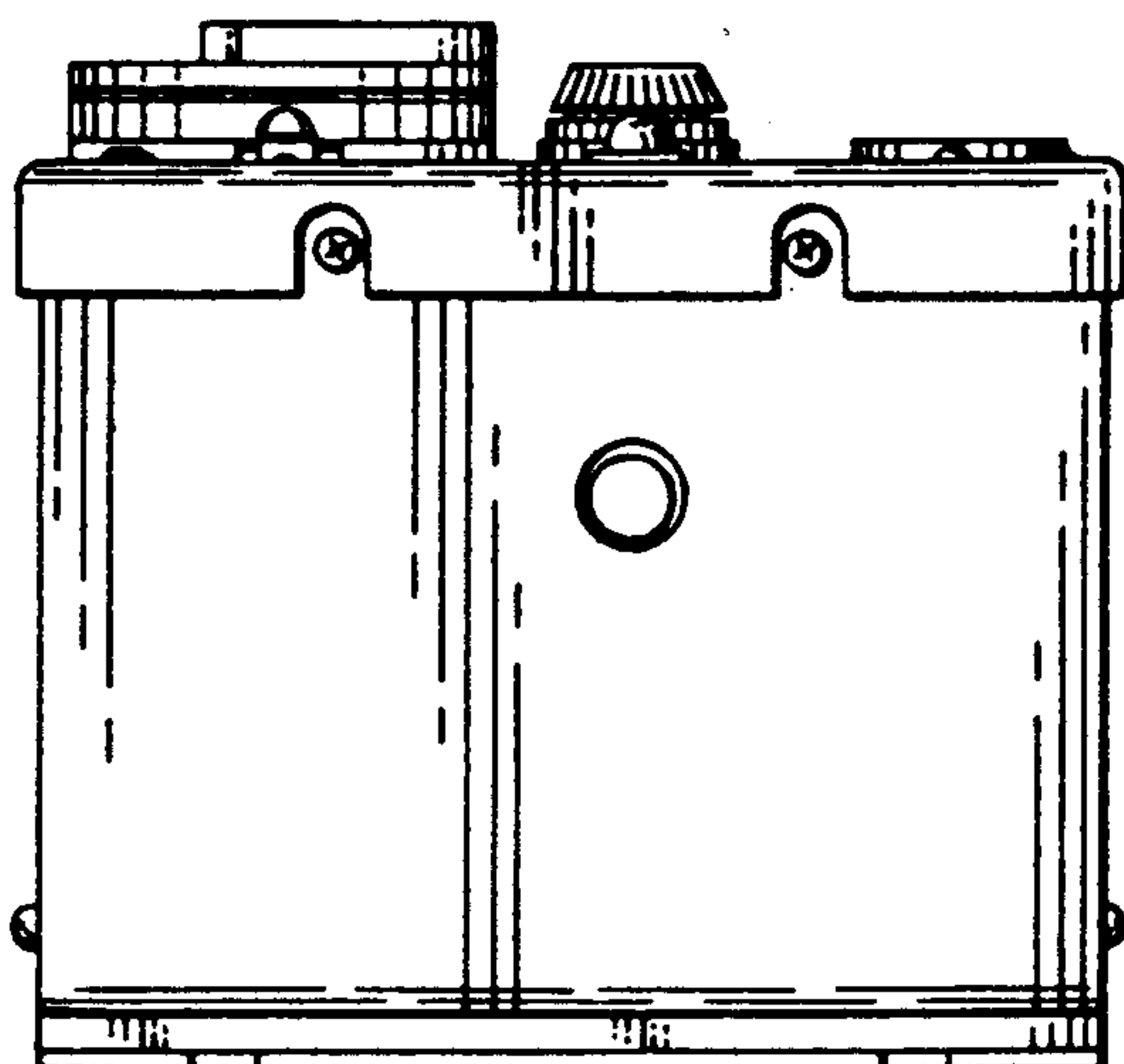
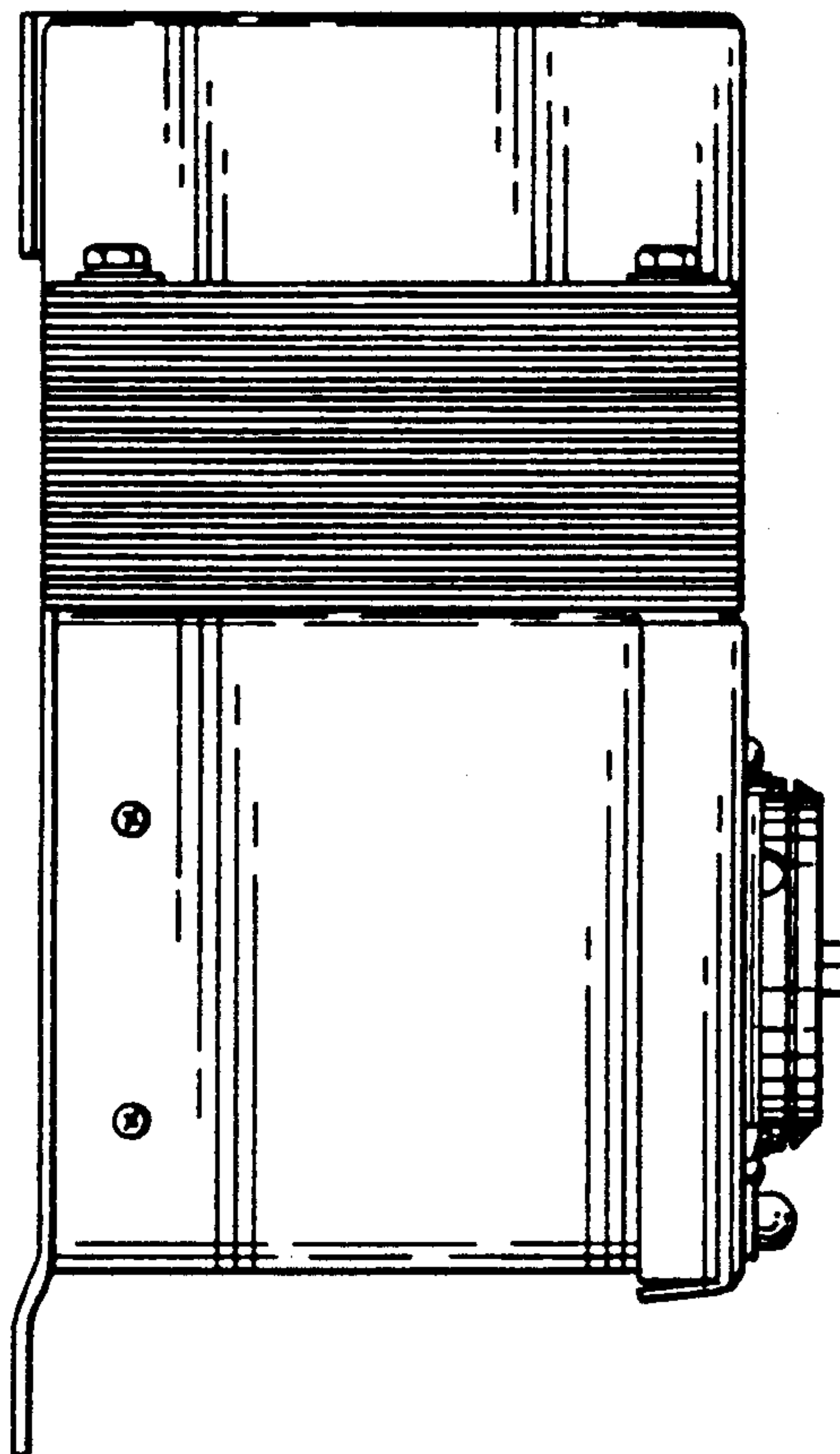


Fig. 6