

United States Patent [19]

Weiss

[11] Patent Number: **Des. 314,361**

[45] Date of Patent: **** Feb. 5, 1991**

[54] **SKI CHAIR**
[76] Inventor: **Joshua L. Weiss, 6611 N. Central Ave., Phoenix, Ariz. 85012**
[**] Term: **14 Years**
[21] Appl. No.: **252,976**
[22] Filed: **Oct. 4, 1988**
[52] U.S. Cl. **D12/9**
[58] Field of Search **D12/9; 280/12.1, 12.11, 280/12.12, 12 R, 19, 23.1**

1,150,578 8/1915 Maki D12/9
1,499,037 6/1924 Tatosian 280/12.1
3,033,585 5/1962 Marston et al. D12/9
4,046,393 9/1977 Vadnais 280/19

Primary Examiner—James M. Gandy
Assistant Examiner—Melody Brown
Attorney, Agent, or Firm—Harry M. Weiss

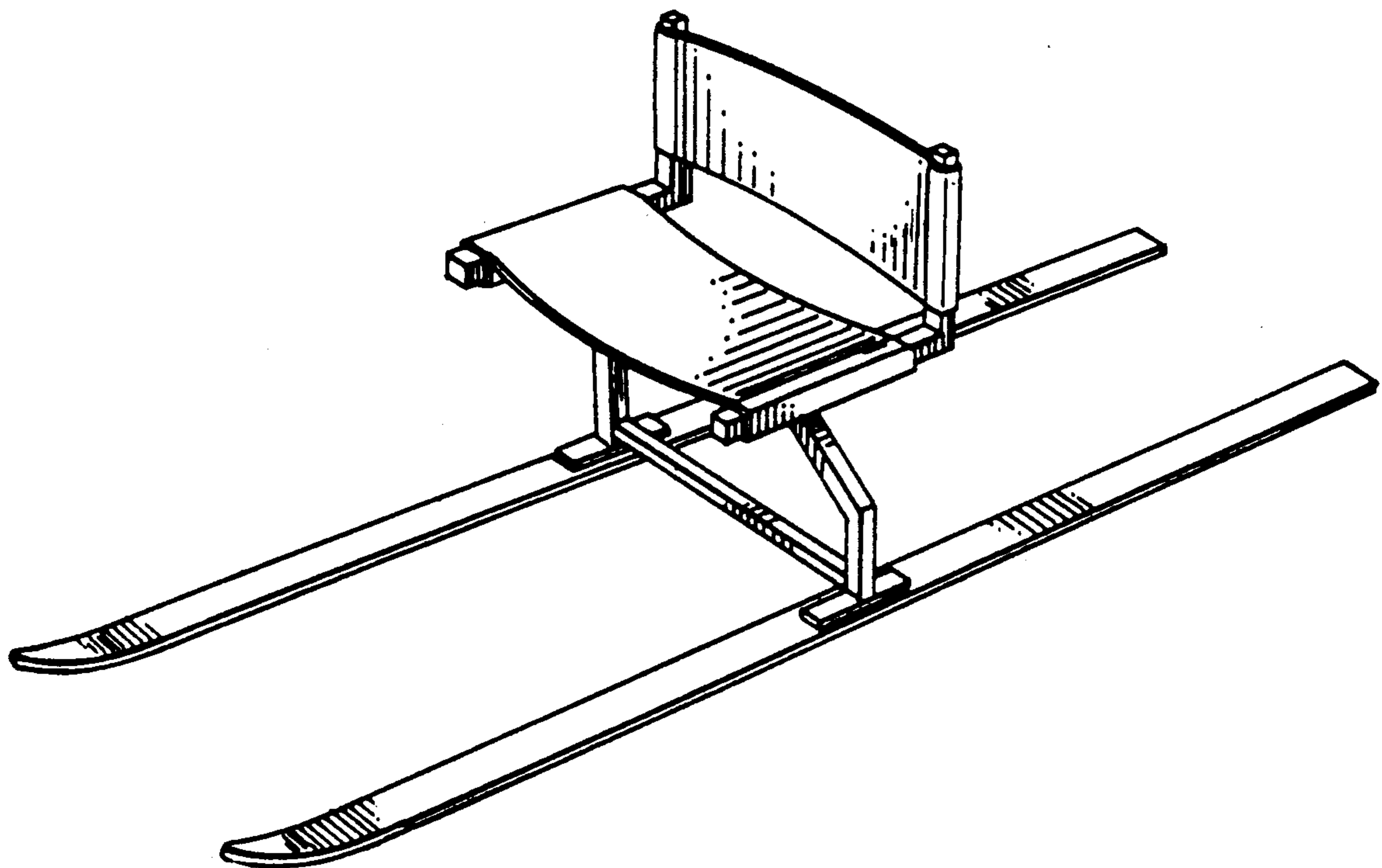
[57] **CLAIM**

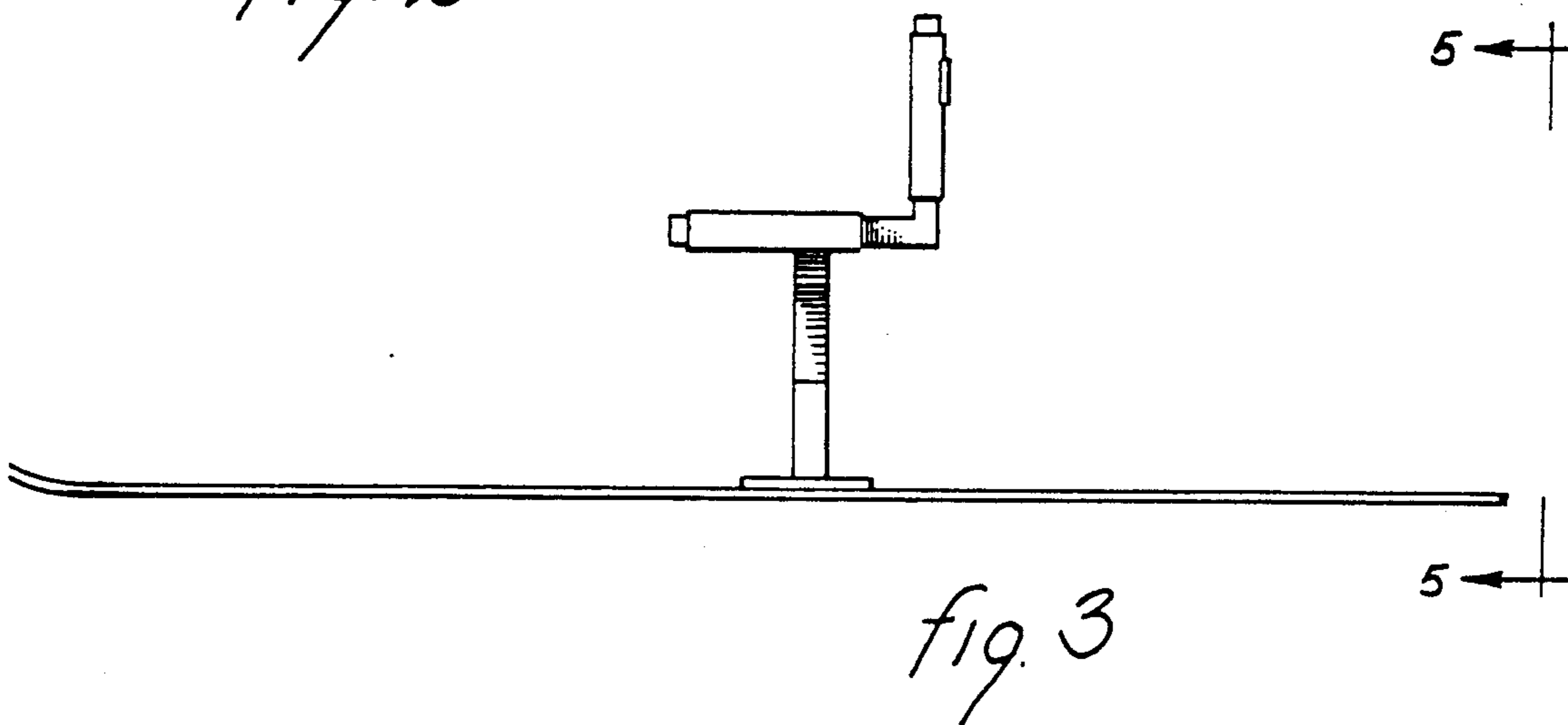
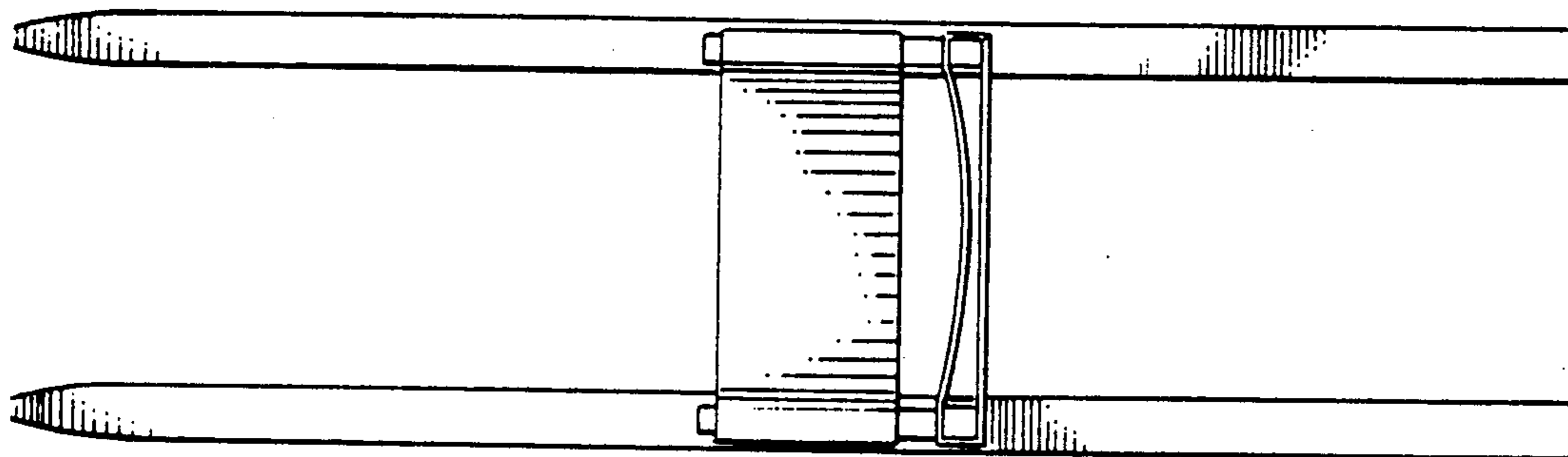
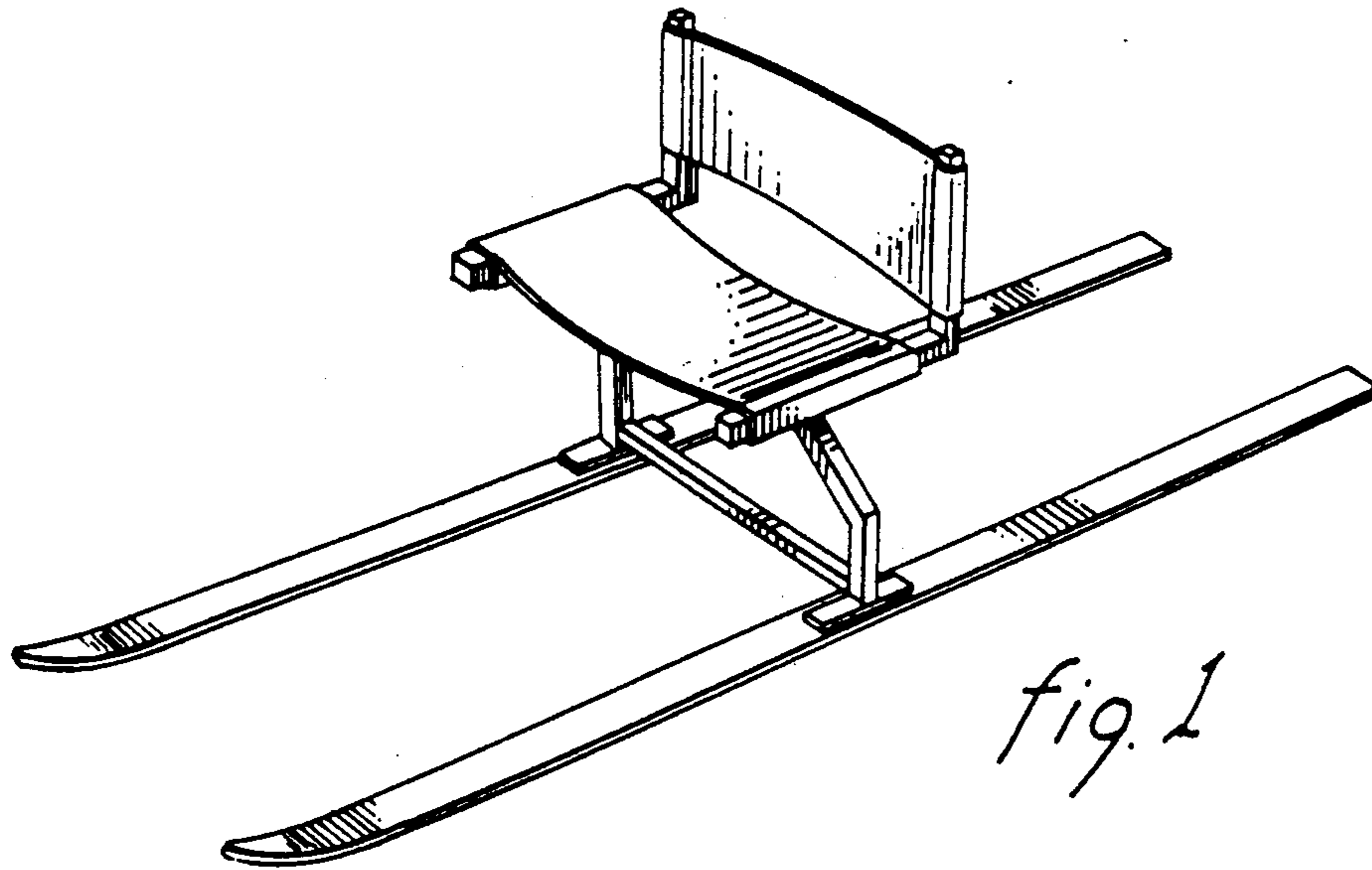
The ornamental design for a ski chair, as shown.

DESCRIPTION

FIG. 1 is a perspective view of a ski chair showing my new design;
FIG. 2 is a top plan view thereof;
FIG. 3 is a side elevational view thereof;
FIG. 4 is a bottom plan view thereof; and
FIG. 5 is a rear elevational view thereof, taken along lines 5—5 of FIG. 3.

[56] **References Cited**
U.S. PATENT DOCUMENTS
52,141 1/1866 Crandell 280/23.1
62,589 5/1867 Adamson 280/23.1
234,774 11/1880 Heckel 280/12.11
D. 305,312 1/1990 Wright D12/9





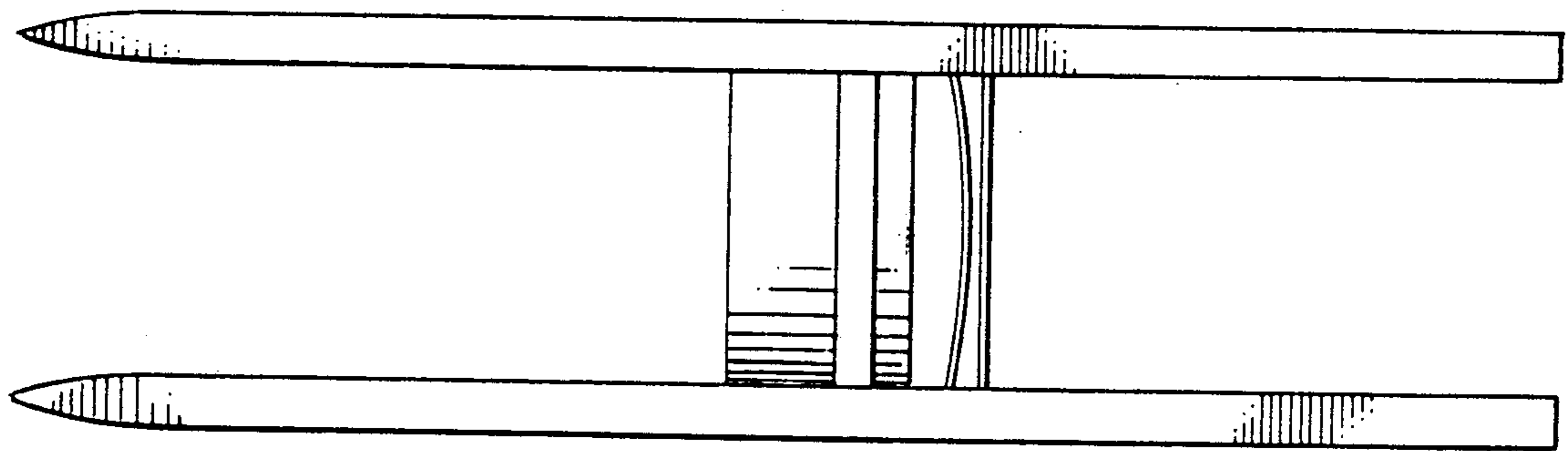


fig. 4

fig. 5

